



US00D486978S

(12) **United States Design Patent**  
**Chang**

(10) **Patent No.:** **US D486,978 S**

(45) **Date of Patent:** **\*\* Feb. 24, 2004**

(54) **COMPUTER TABLE**

D474,921 S \* 5/2003 Chen ..... D6/426

(76) Inventor: **Chien-Kuo Chang**, P.O. Box 36-80,  
Dong-Shing Rd., Taichung City (TW)

\* cited by examiner

(\*\*) Term: **14 Years**

*Primary Examiner*—Janice E. Seeger  
(74) *Attorney, Agent, or Firm*—Charles E. Baxley

(21) Appl. No.: **29/182,975**

(57) **CLAIM**

(22) Filed: **Jun. 3, 2003**

The ornamental design for computer table, as shown and described.

(51) **LOC (7) Cl.** ..... **06-04**

**DESCRIPTION**

(52) **U.S. Cl.** ..... **D6/426**

(58) **Field of Search** ..... D6/421, 422, 425–428,  
D6/474, 477, 479; 108/50.01, 50.02, 92,  
91, 59, 194–196; 312/208.1

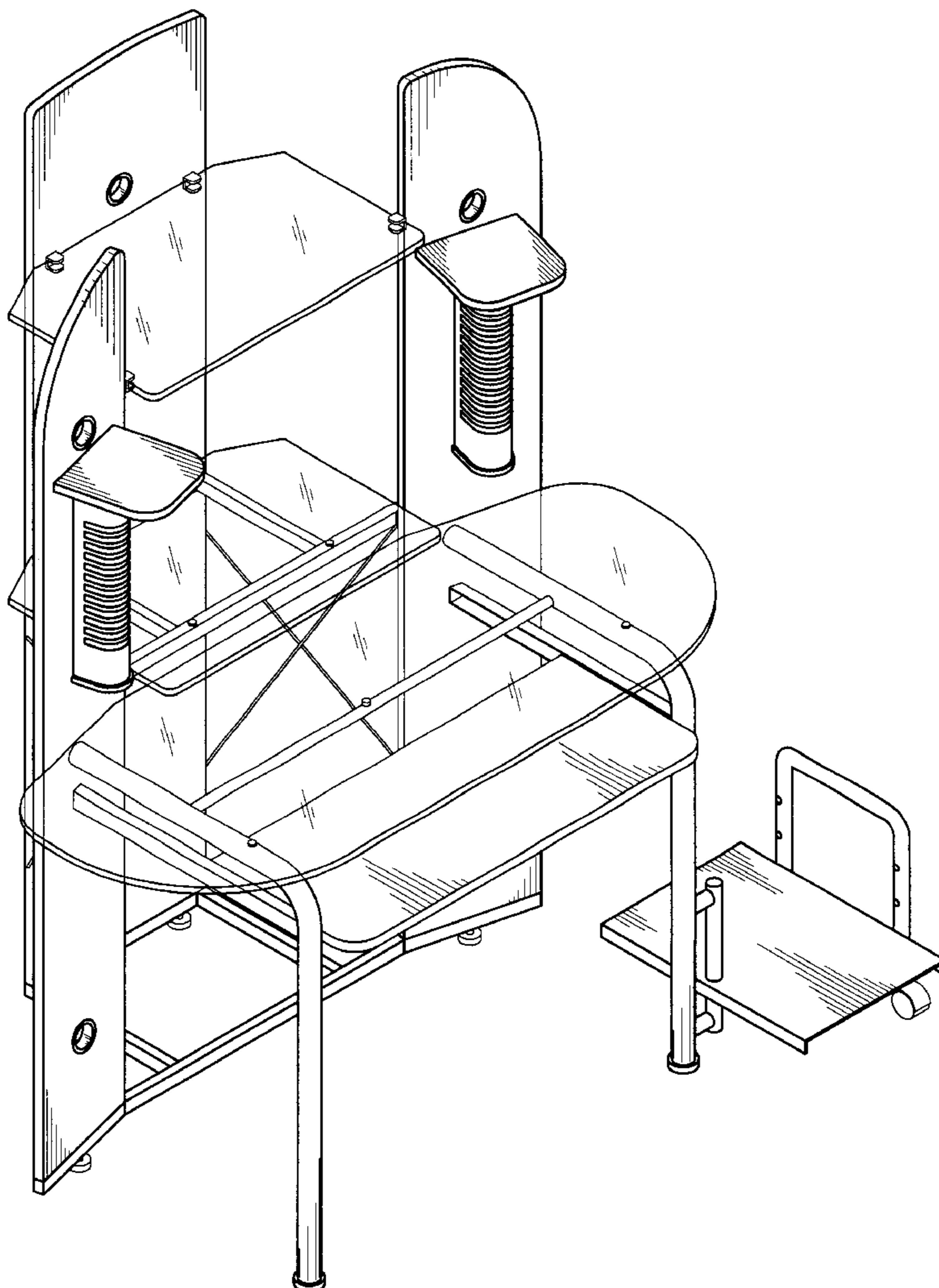
FIG. 1 is a perspective view of a computer table showing our new design thereof;  
FIG. 2 is a front elevational view thereof;  
FIG. 3 is a rear elevational view thereof;  
FIG. 4 is a left side elevational view thereof;  
FIG. 5 is a right side elevational view thereof;  
FIG. 6 is a top plan view thereof; and,  
FIG. 7 is a bottom plan view thereof.

(56) **References Cited**

**U.S. PATENT DOCUMENTS**

- D456,633 S \* 5/2002 Chang ..... D6/426
- D458,047 S \* 6/2002 Luong ..... D6/426
- D463,922 S \* 10/2002 Chang ..... D6/426
- D464,213 S \* 10/2002 Chang ..... D6/426

**1 Claim, 6 Drawing Sheets**



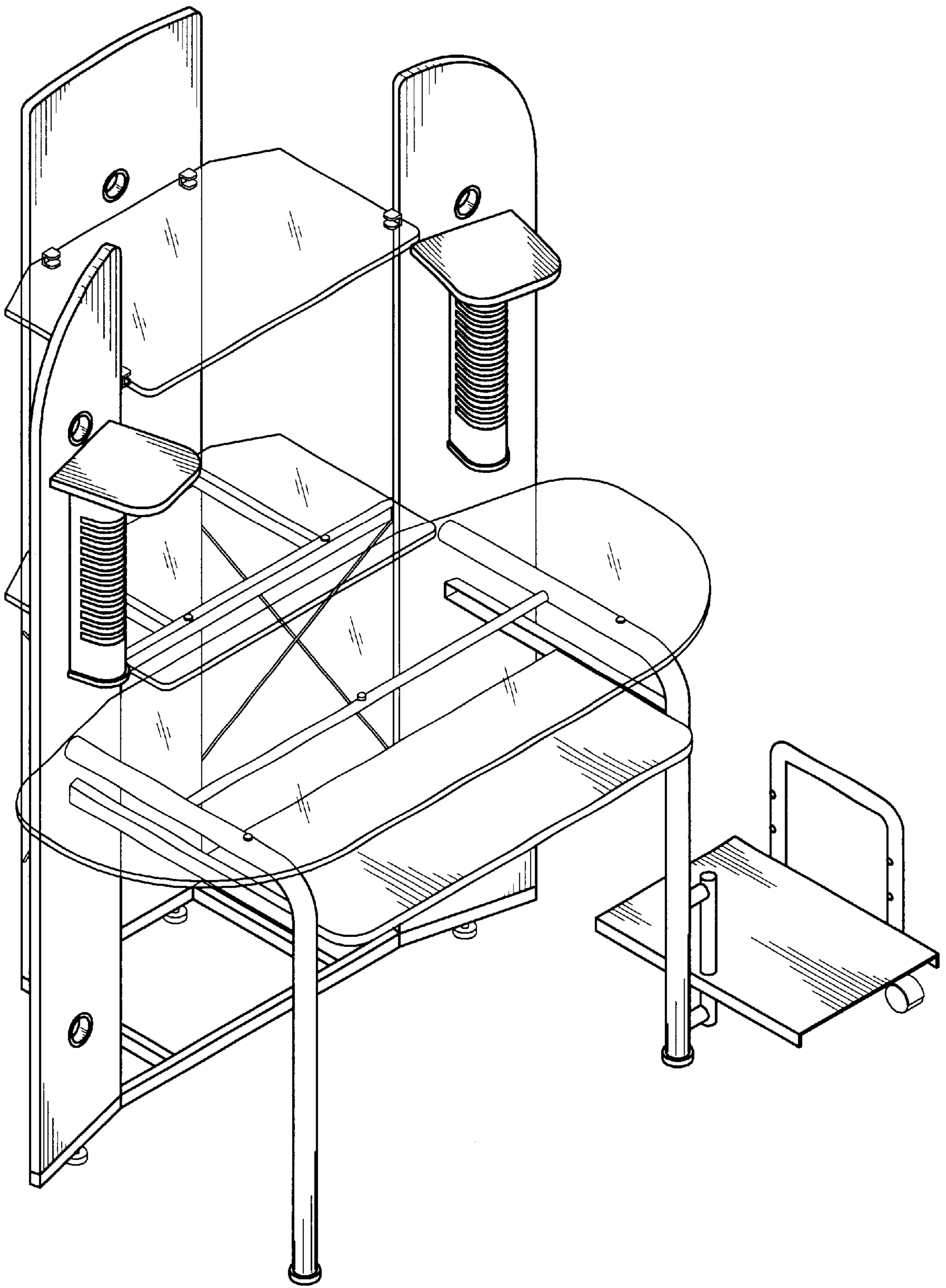


FIG. 1

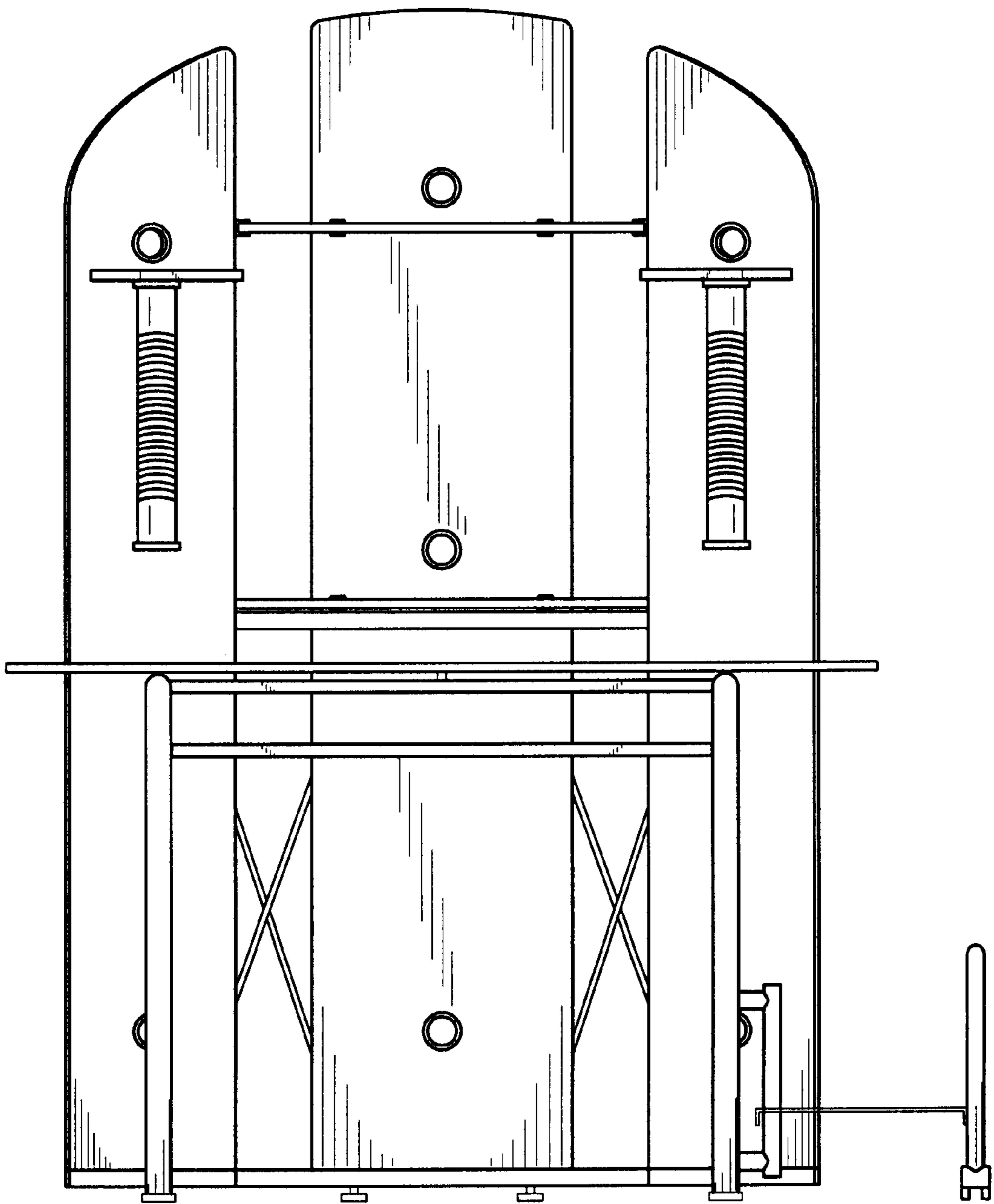


FIG. 2

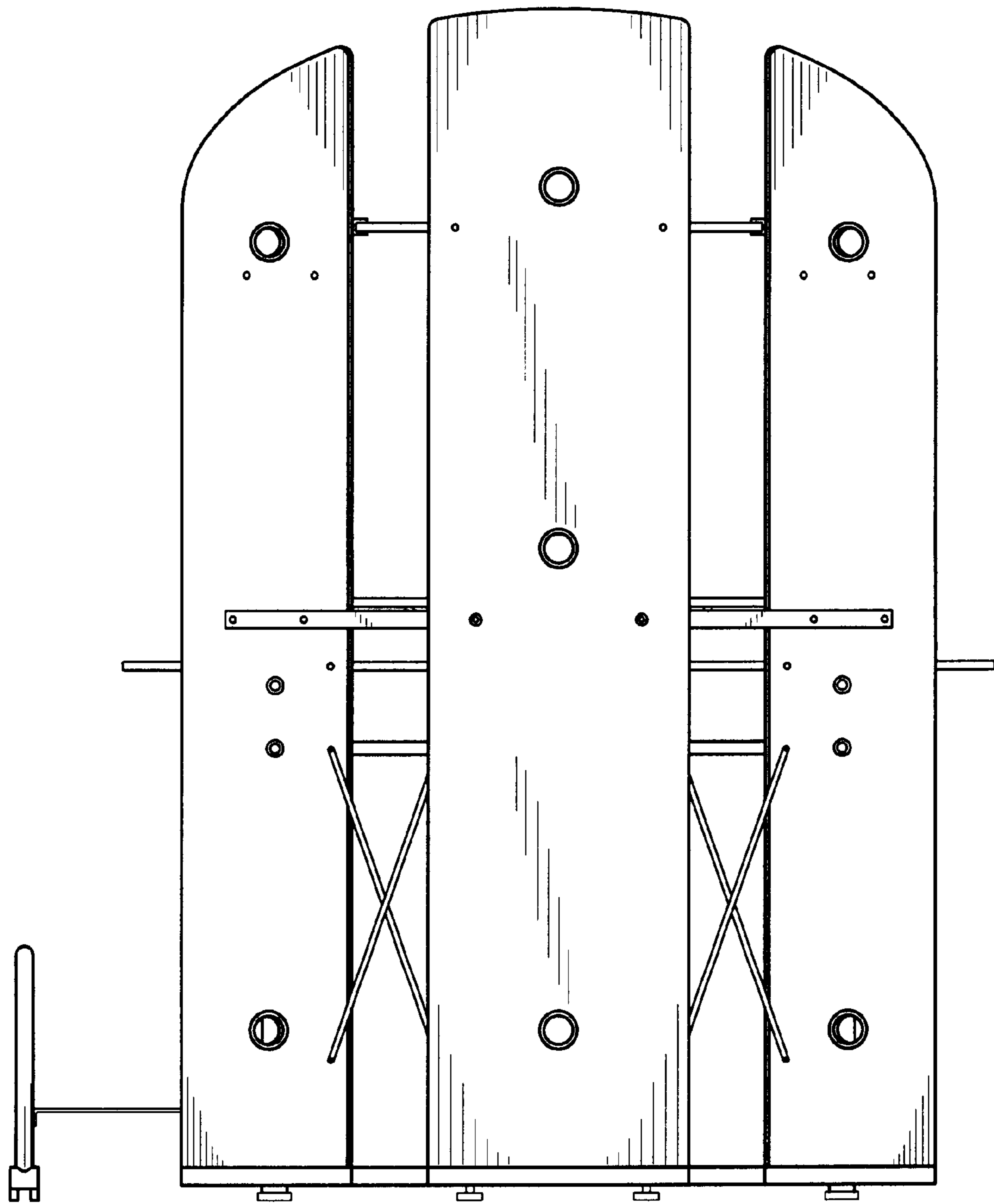


FIG.3

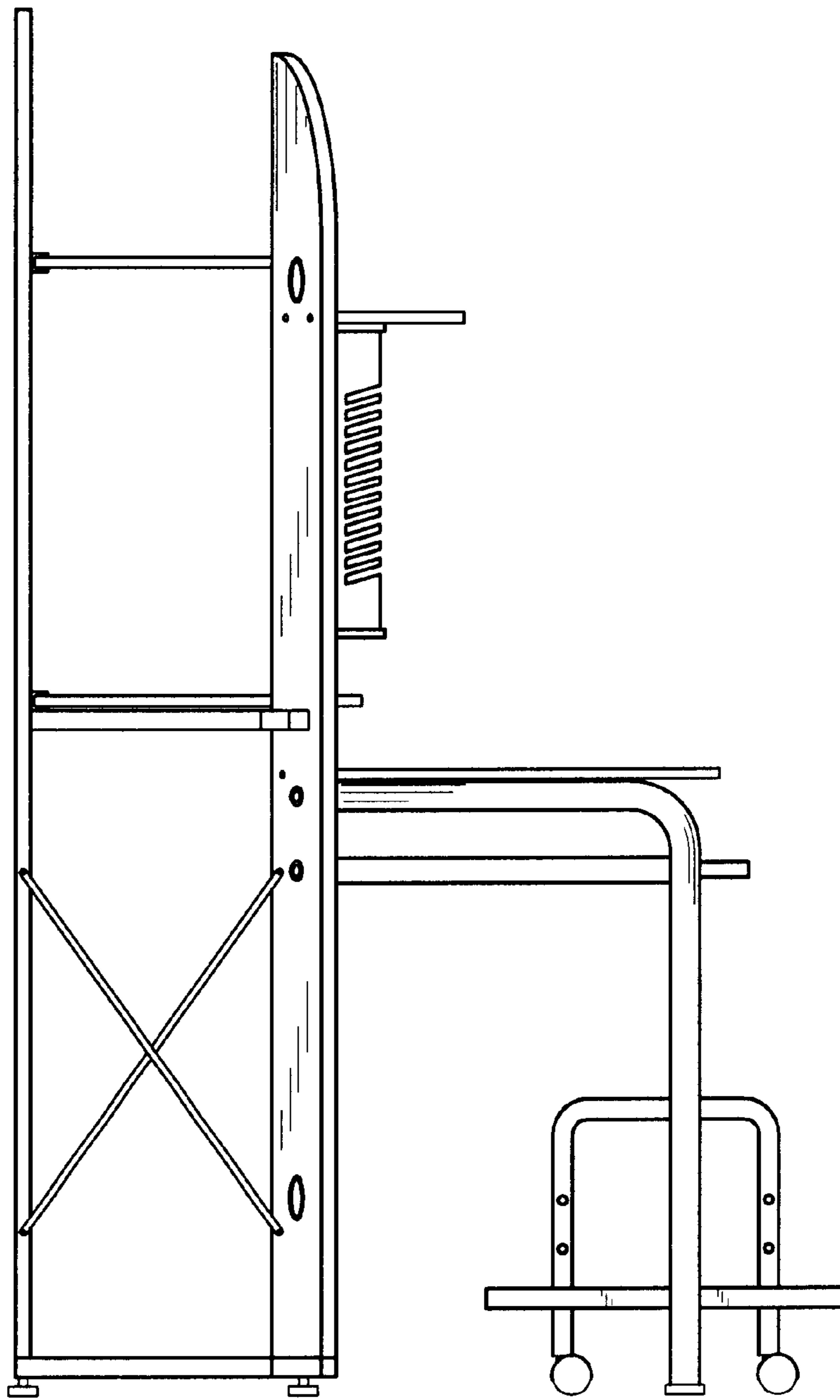


FIG. 4

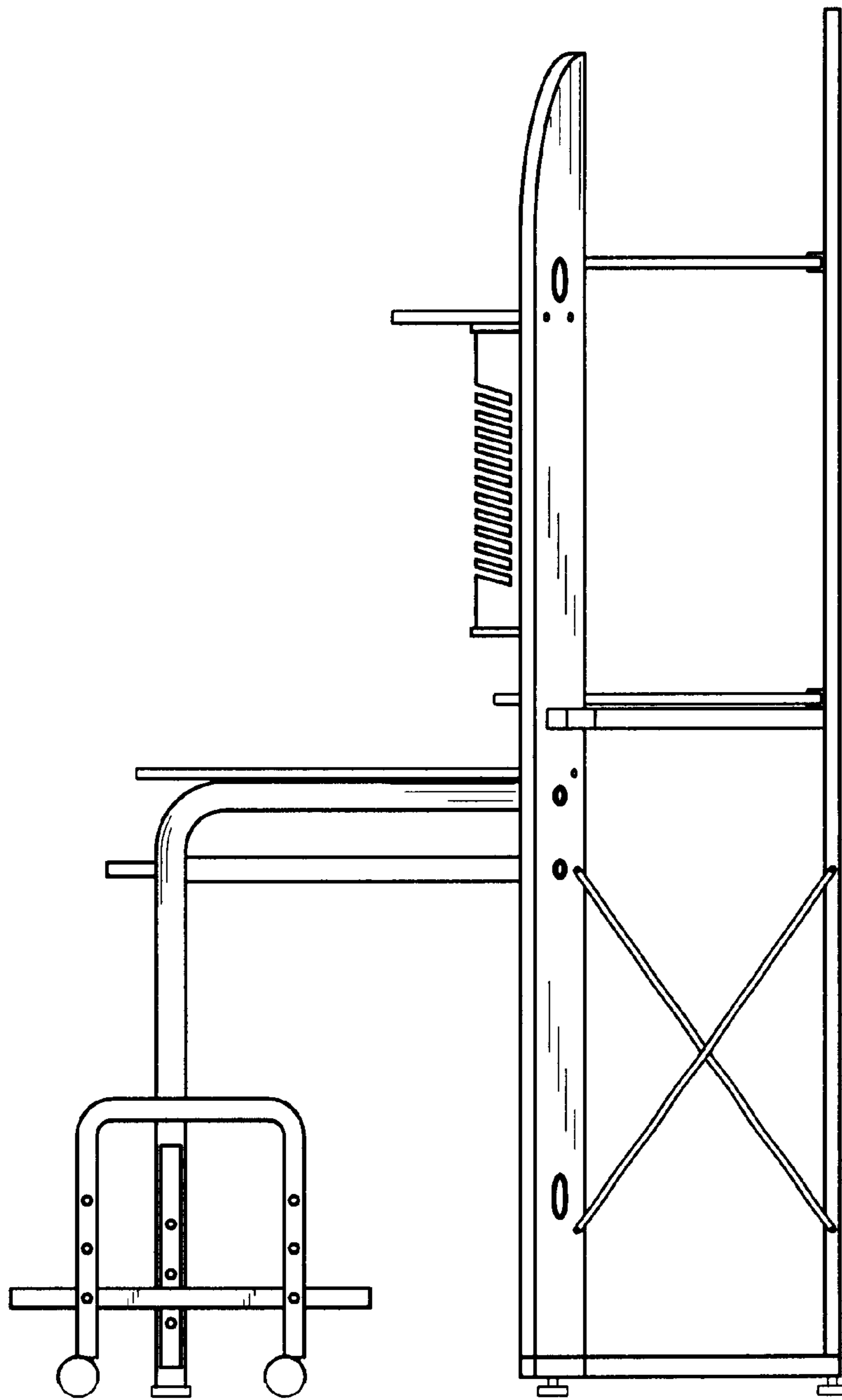


FIG. 5

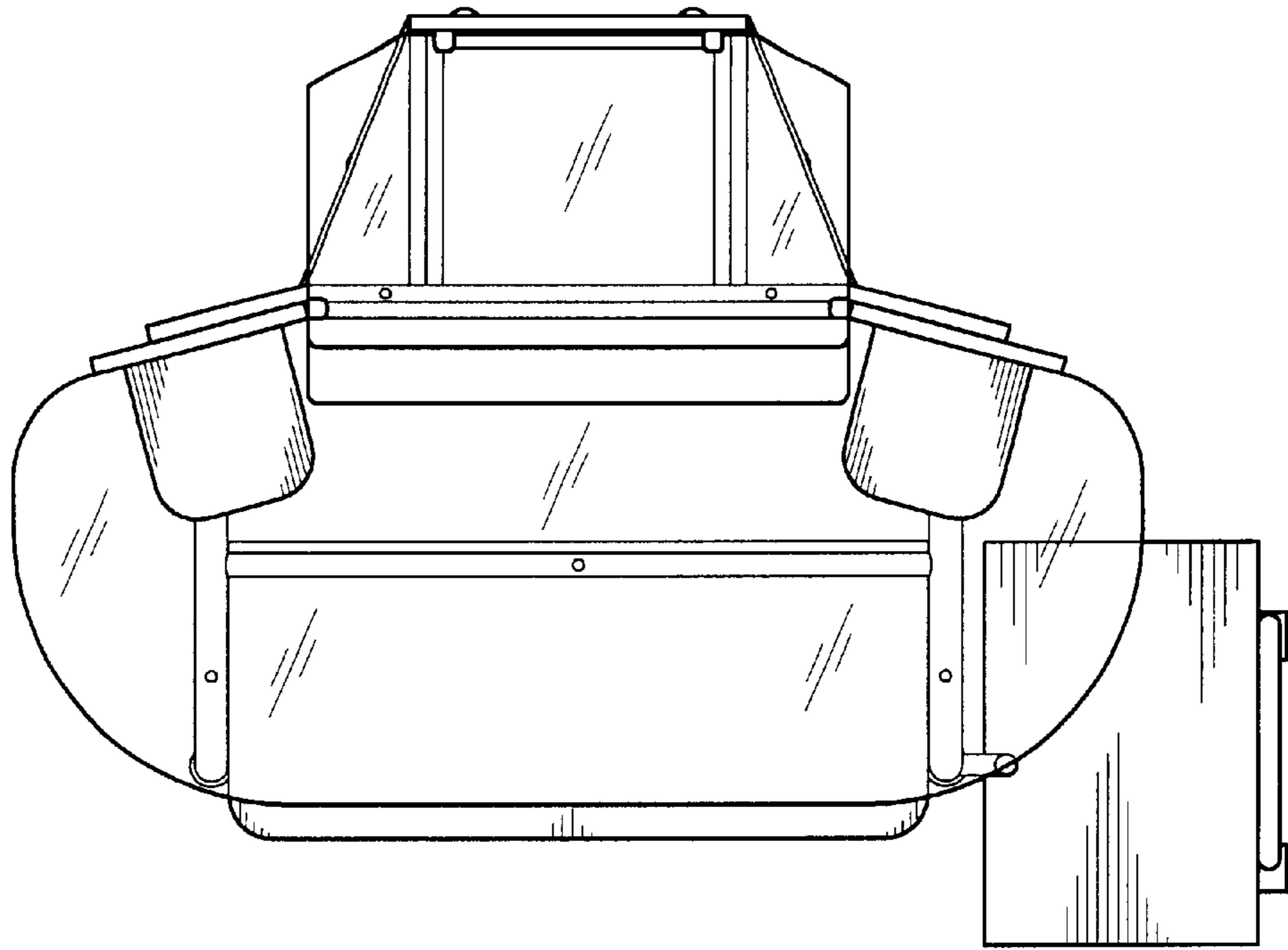


FIG. 6

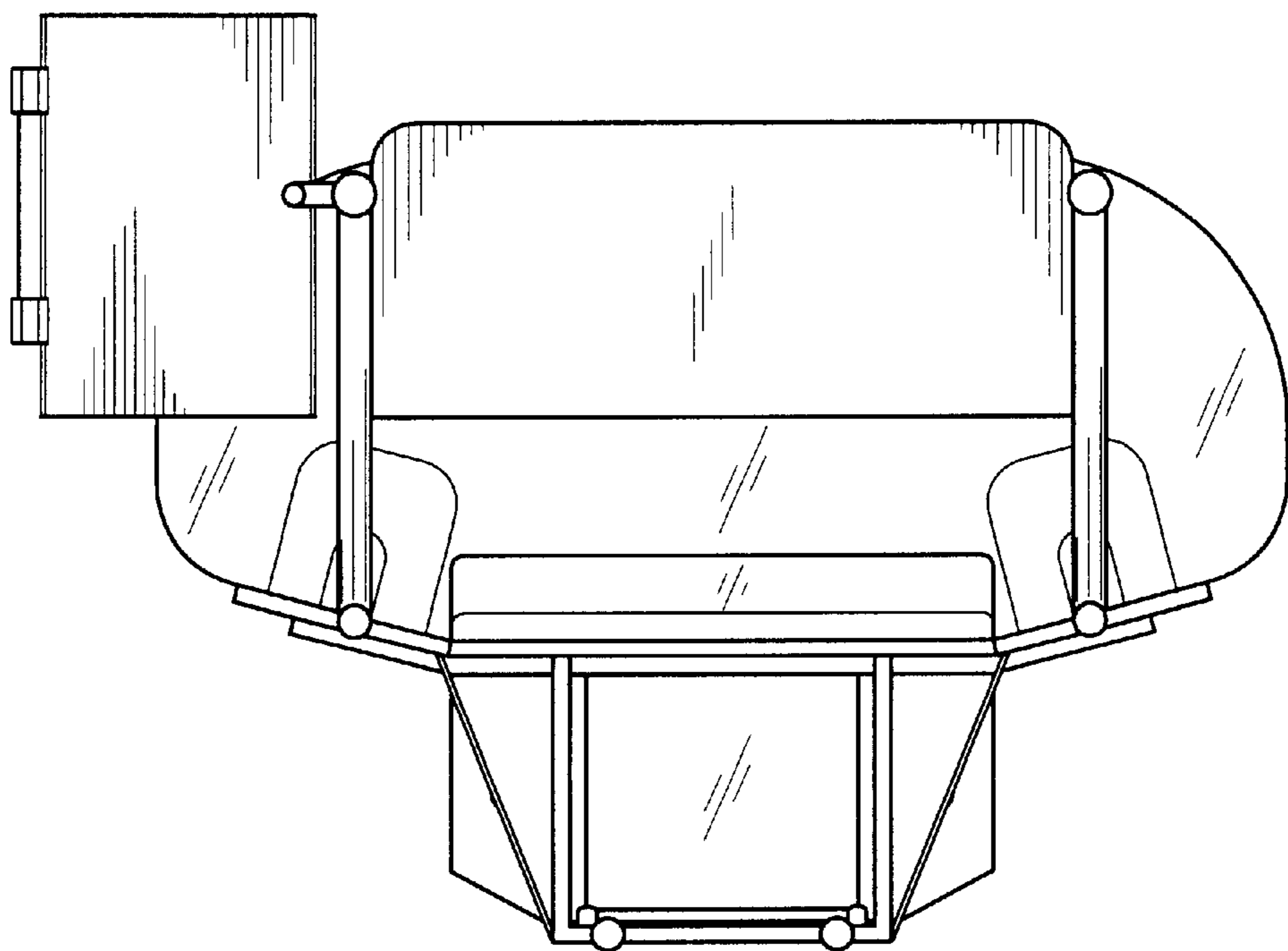


FIG. 7