



US00D486976S

(12) **United States Design Patent**
Pininfarina

(10) **Patent No.:** **US D486,976 S**

(45) **Date of Patent:** **** Feb. 24, 2004**

(54) **COMPOSITE FURNITURE FOR A KITCHEN**

D467,753 S * 12/2002 Simpson D6/397

(75) Inventor: **Paolo Pininfarina**, Turin (IT)

* cited by examiner

(73) Assignee: **Snaidero R.S.p.A.**, Udine (IT)

Primary Examiner—Cathron C. Brooks

(**) Term: **14 Years**

(74) *Attorney, Agent, or Firm*—Wenderoth, Lind & Ponack, L.L.P.

(21) Appl. No.: **29/167,502**

(57) **CLAIM**

(22) Filed: **Sep. 17, 2002**

The ornamental design for composite furniture for a kitchen, as shown and described.

(30) **Foreign Application Priority Data**

DESCRIPTION

Mar. 18, 2002 (WO) DM/059 730

(51) **LOC (7) Cl.** **06-04**

(52) **U.S. Cl.** **D6/397**

(58) **Field of Search** D6/396, 397, 402,
D6/422, 426; D7/334, 339, 340; 312/198,
223.5, 236, 140.2

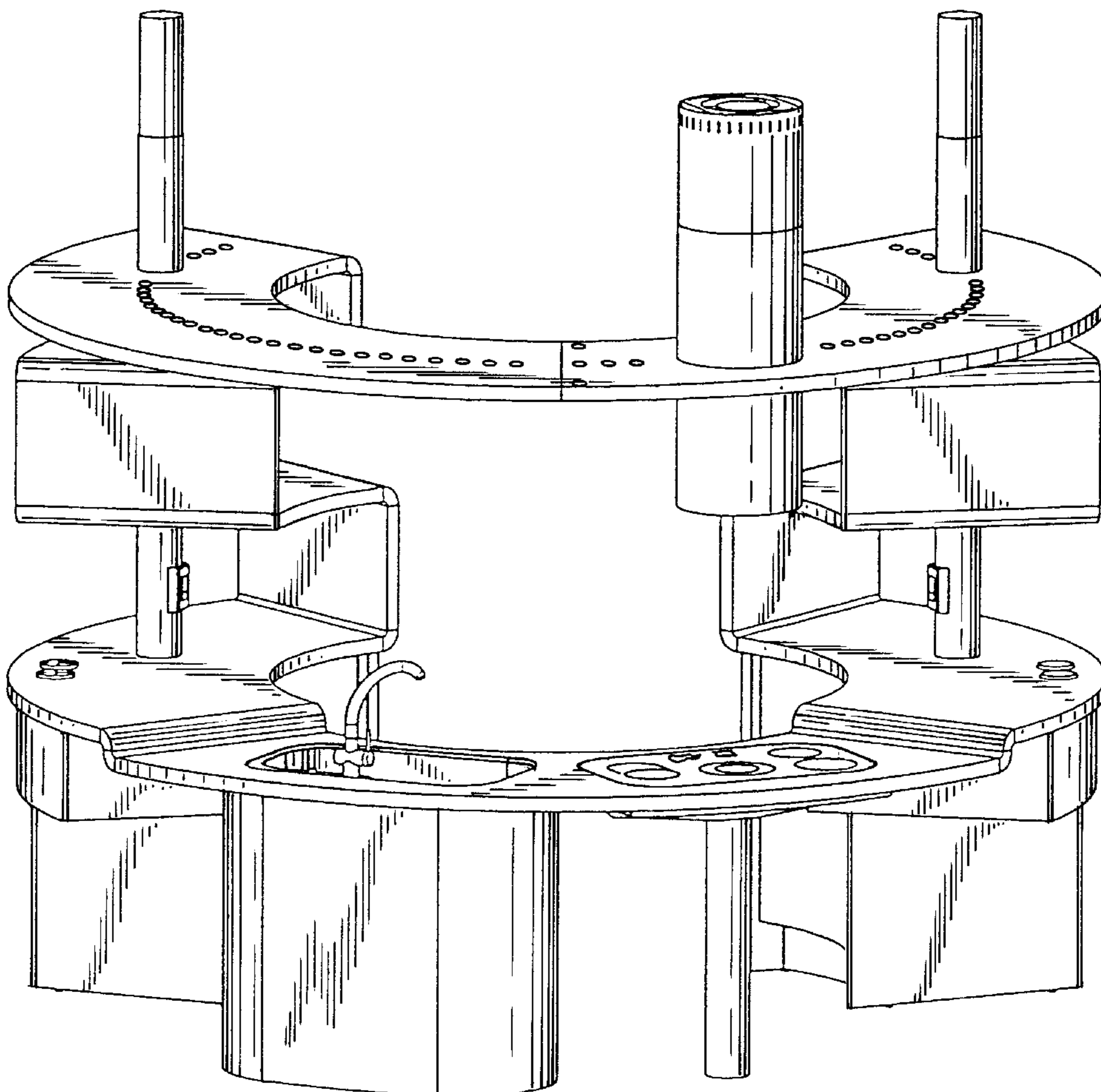
FIG. 1 is a front view of composite furniture for a kitchen in accordance with the present invention;
FIG. 2 is a perspective view taken from the front;
FIG. 3 is a left side view of the design of FIG. 1;
FIG. 4 is a perspective view from the left side;
FIG. 5 is a rear view of the design of FIG. 1;
FIG. 6 is a perspective view from the rear;
FIG. 7 is a right side view of the design of FIG. 1;
FIG. 8 is a perspective view taken from the right side; and,
FIG. 9 is a top view of the design of FIG. 1.

(56) **References Cited**

U.S. PATENT DOCUMENTS

D296,850 S * 7/1988 Pamio D6/397
6,425,862 B1 * 7/2002 Brown D6/396 X

1 Claim, 9 Drawing Sheets



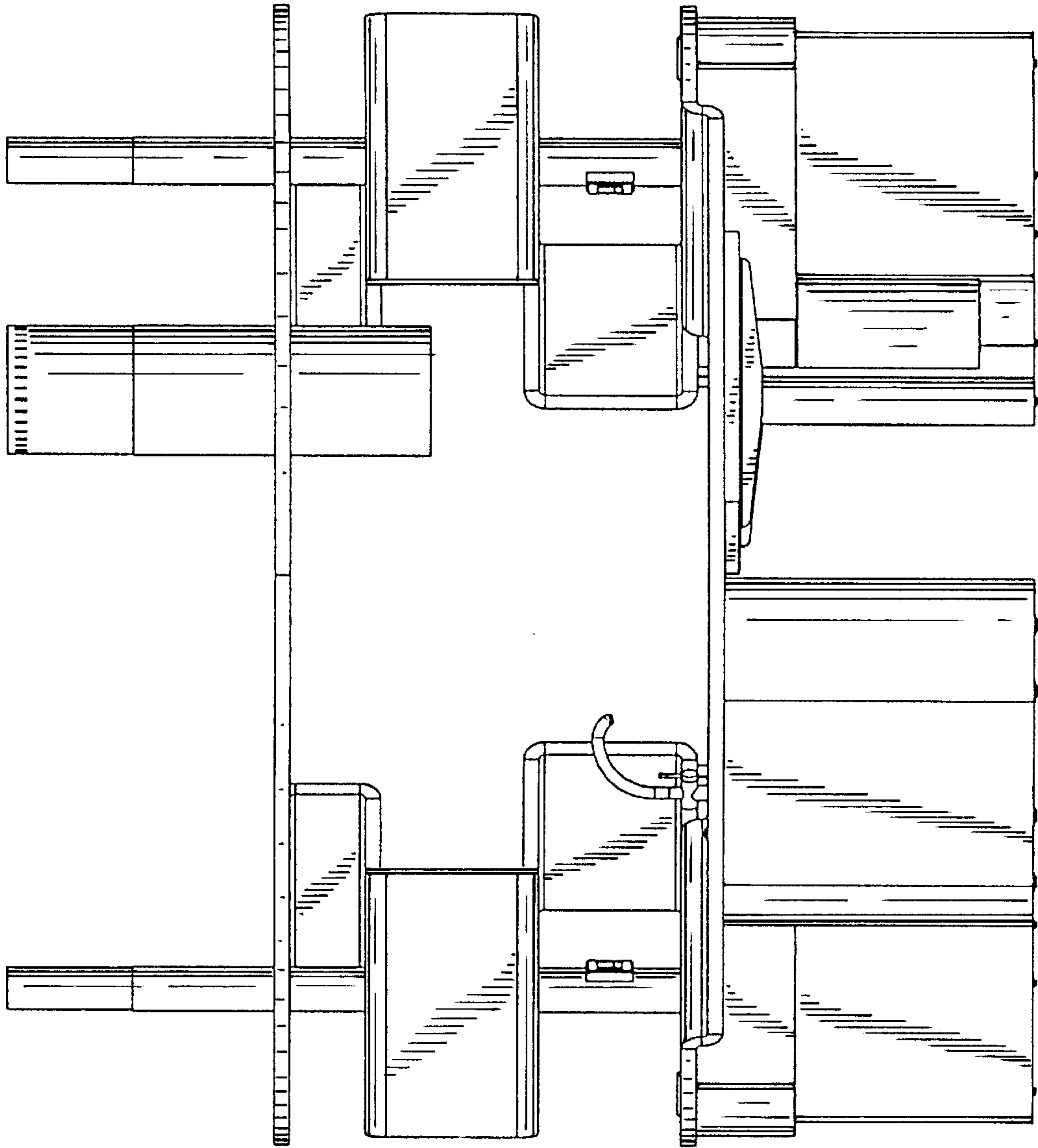


FIG. 1

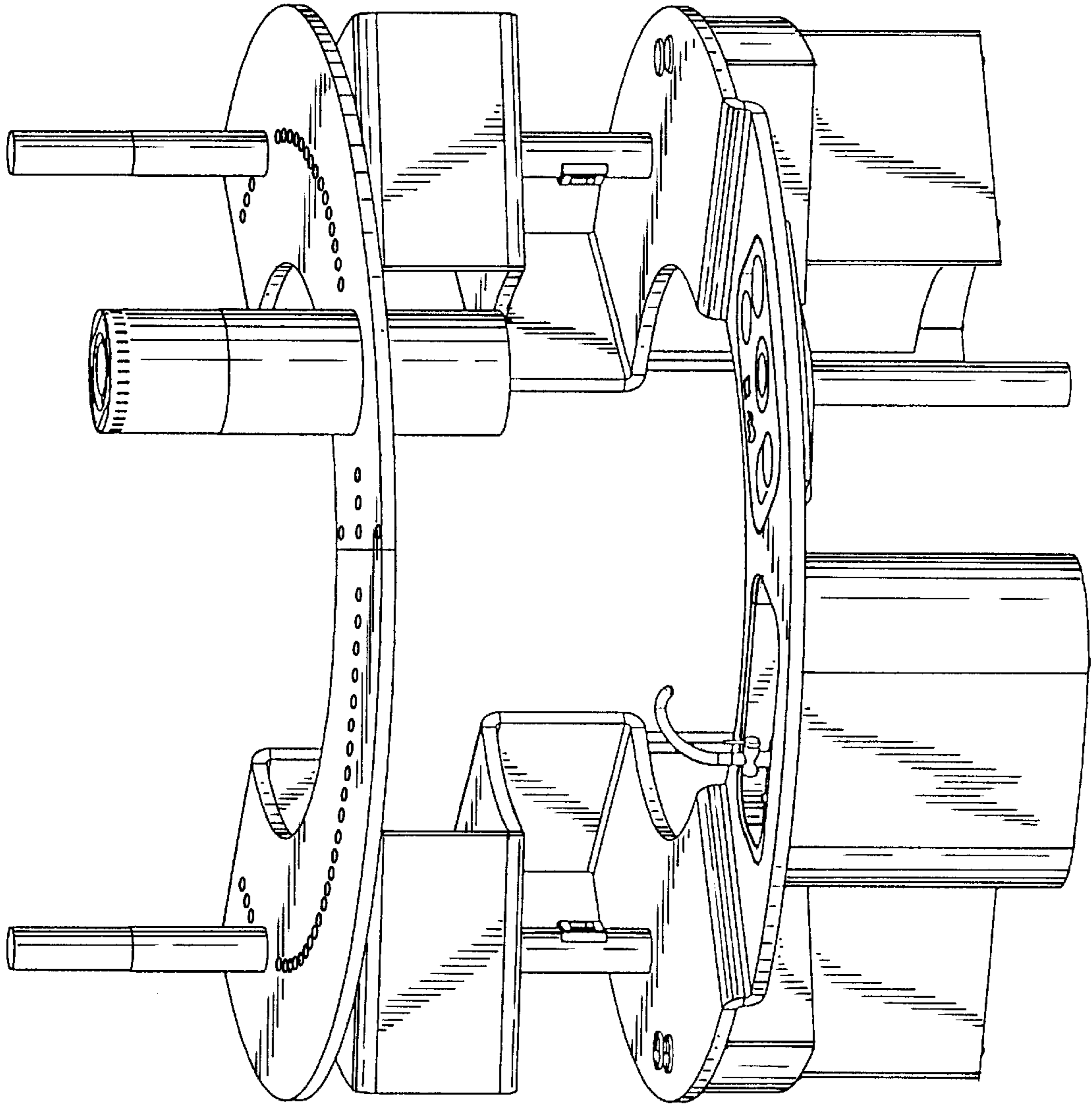


FIG. 2

FIG. 3

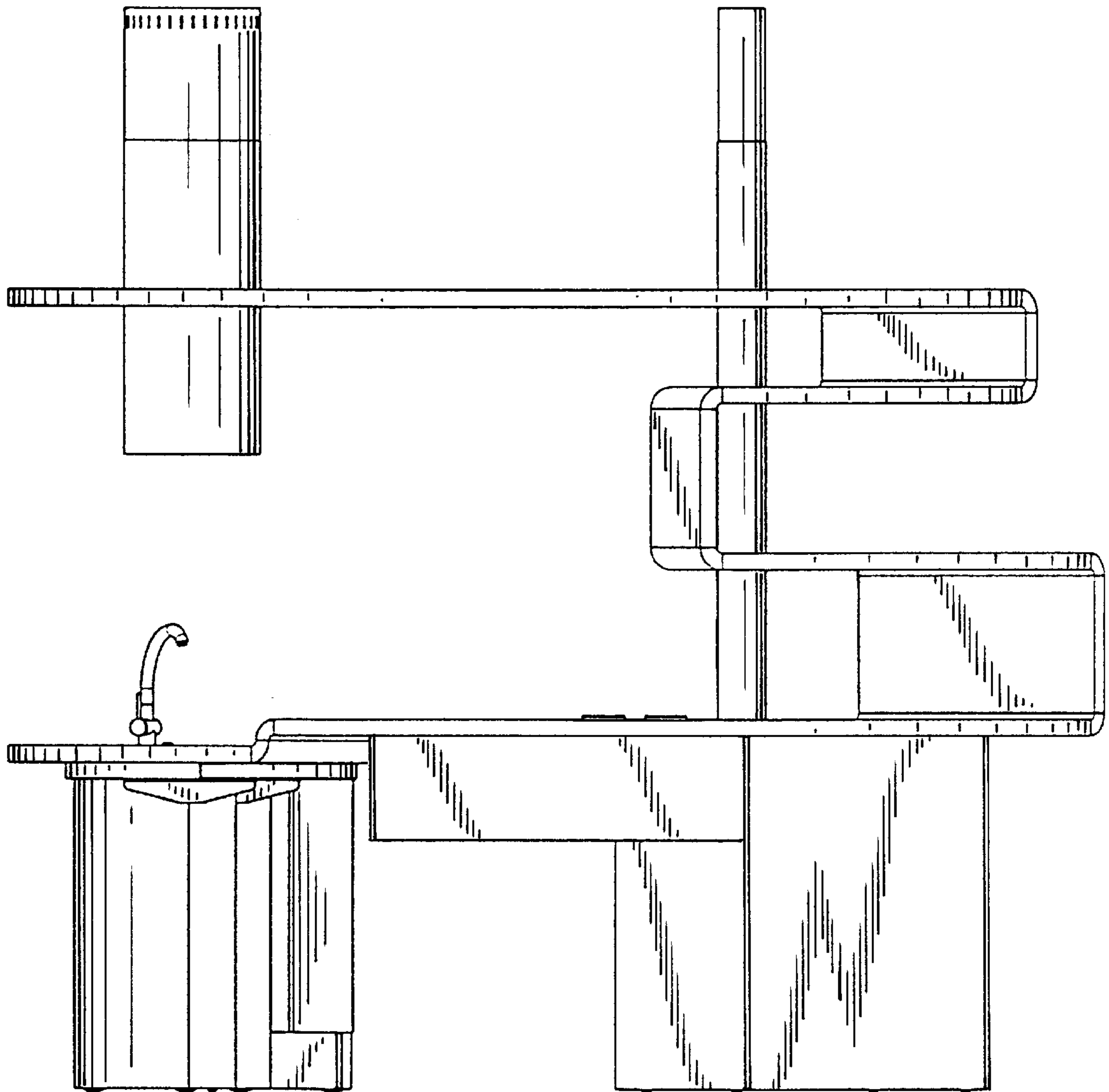
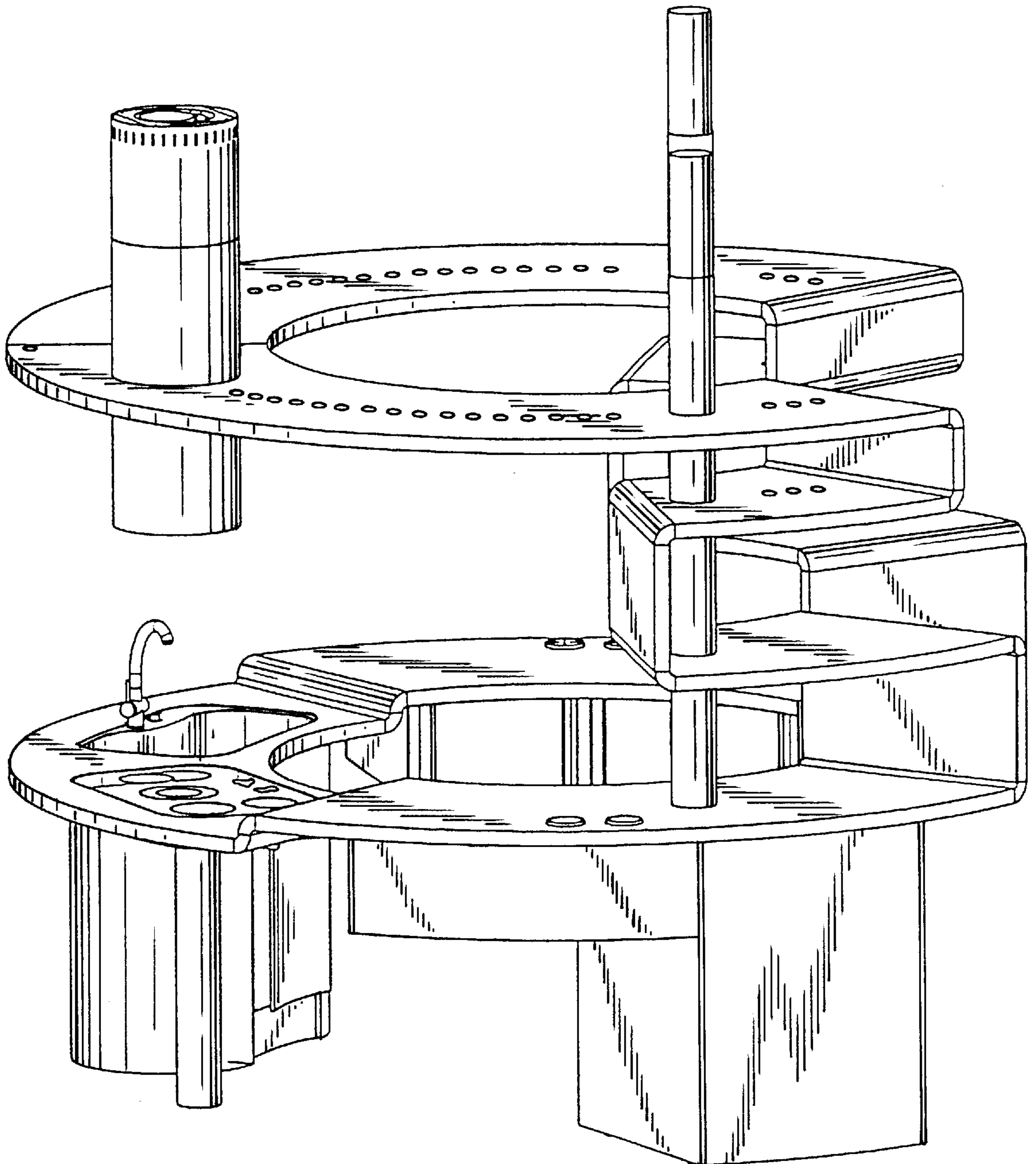


FIG. 4



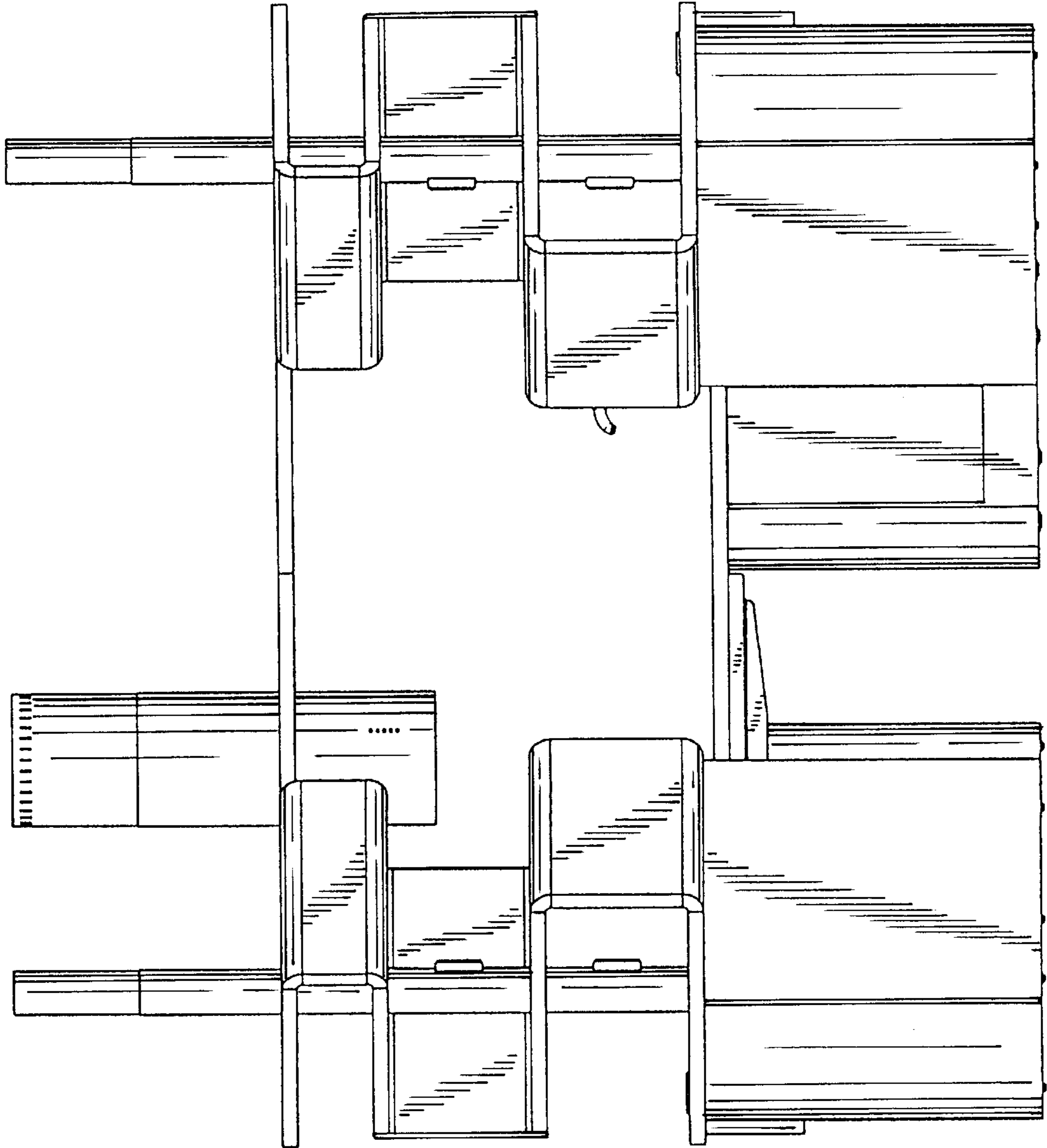


FIG. 5

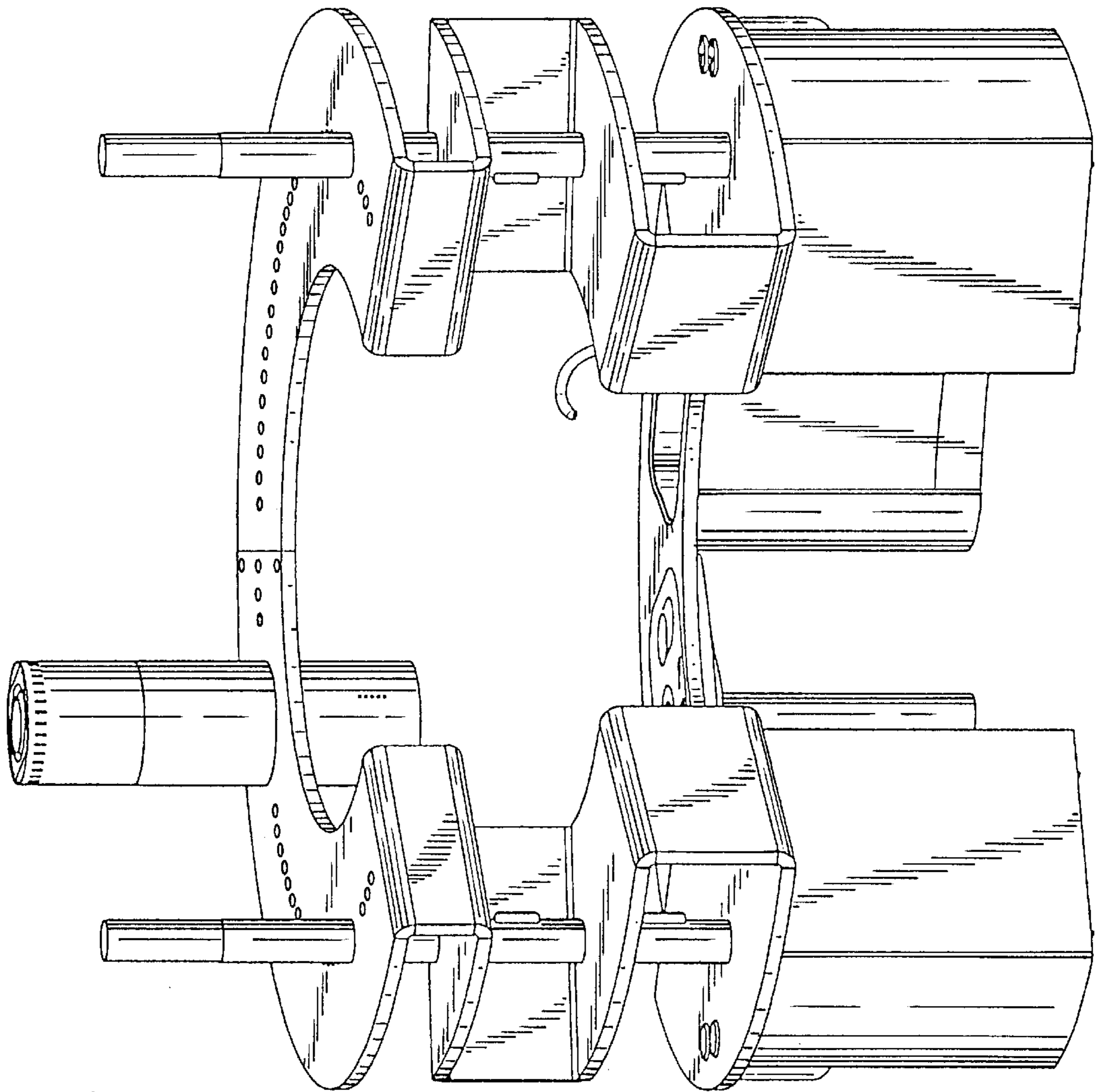


FIG. 6

FIG. 7

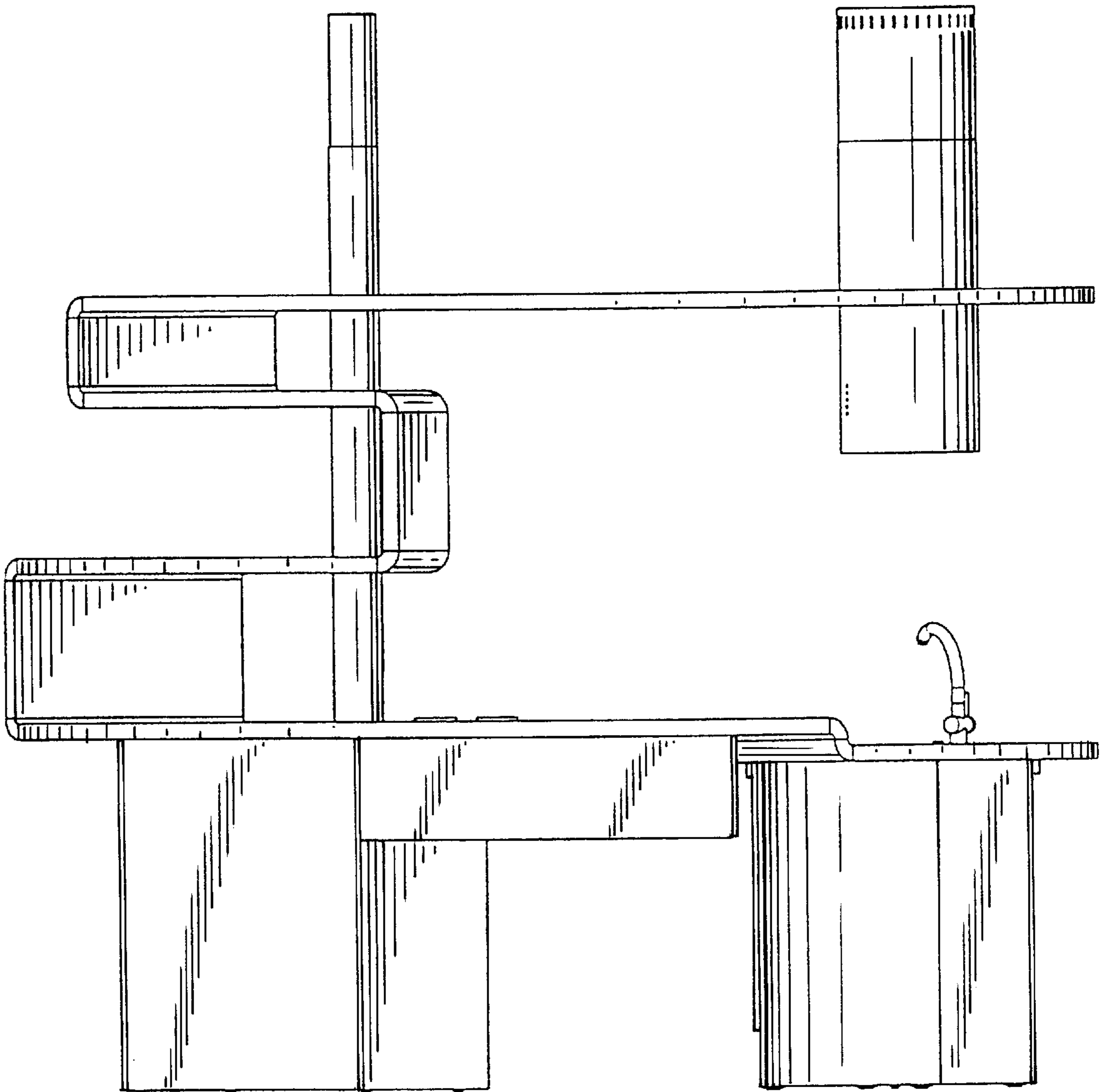
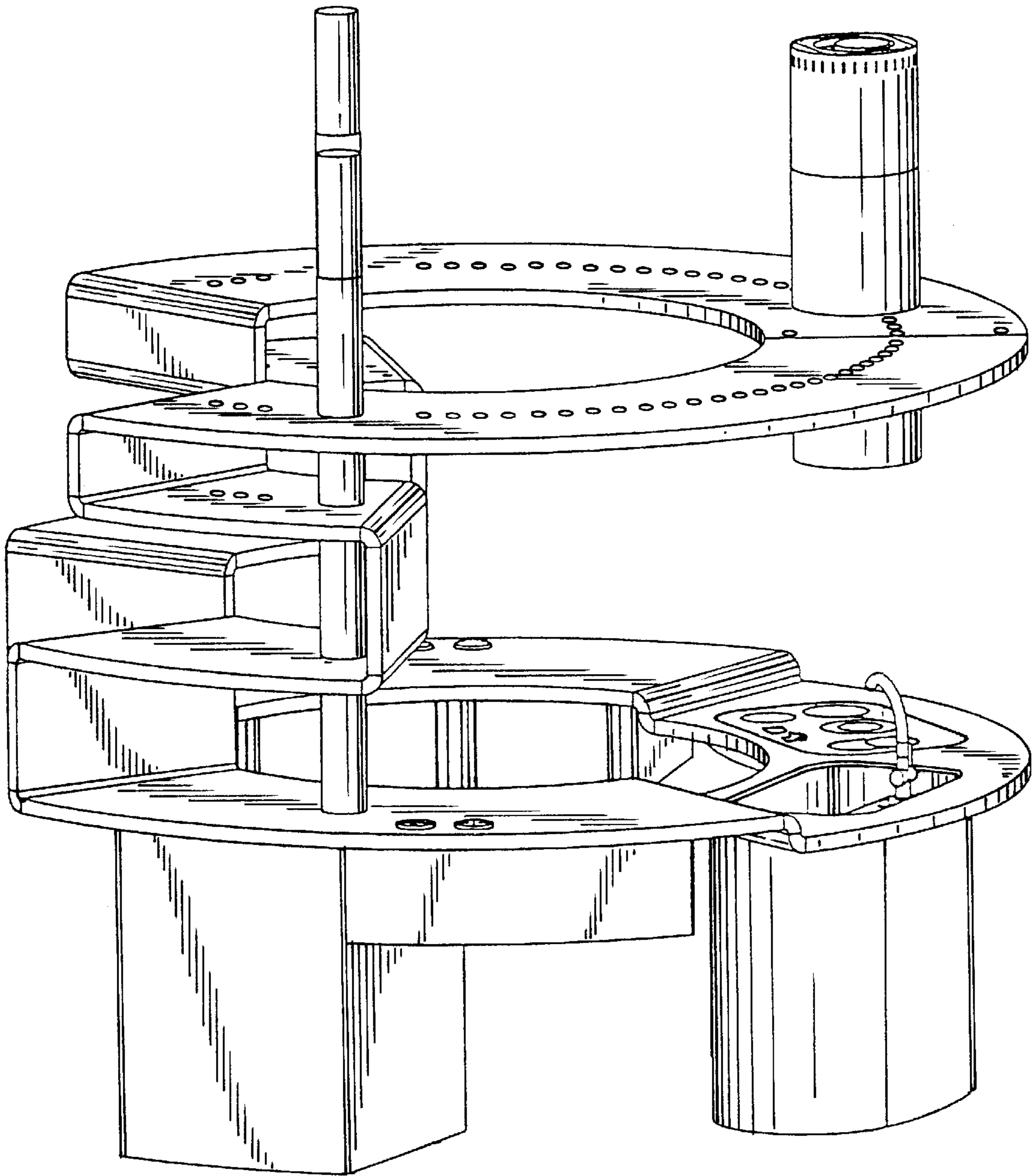


FIG. 8



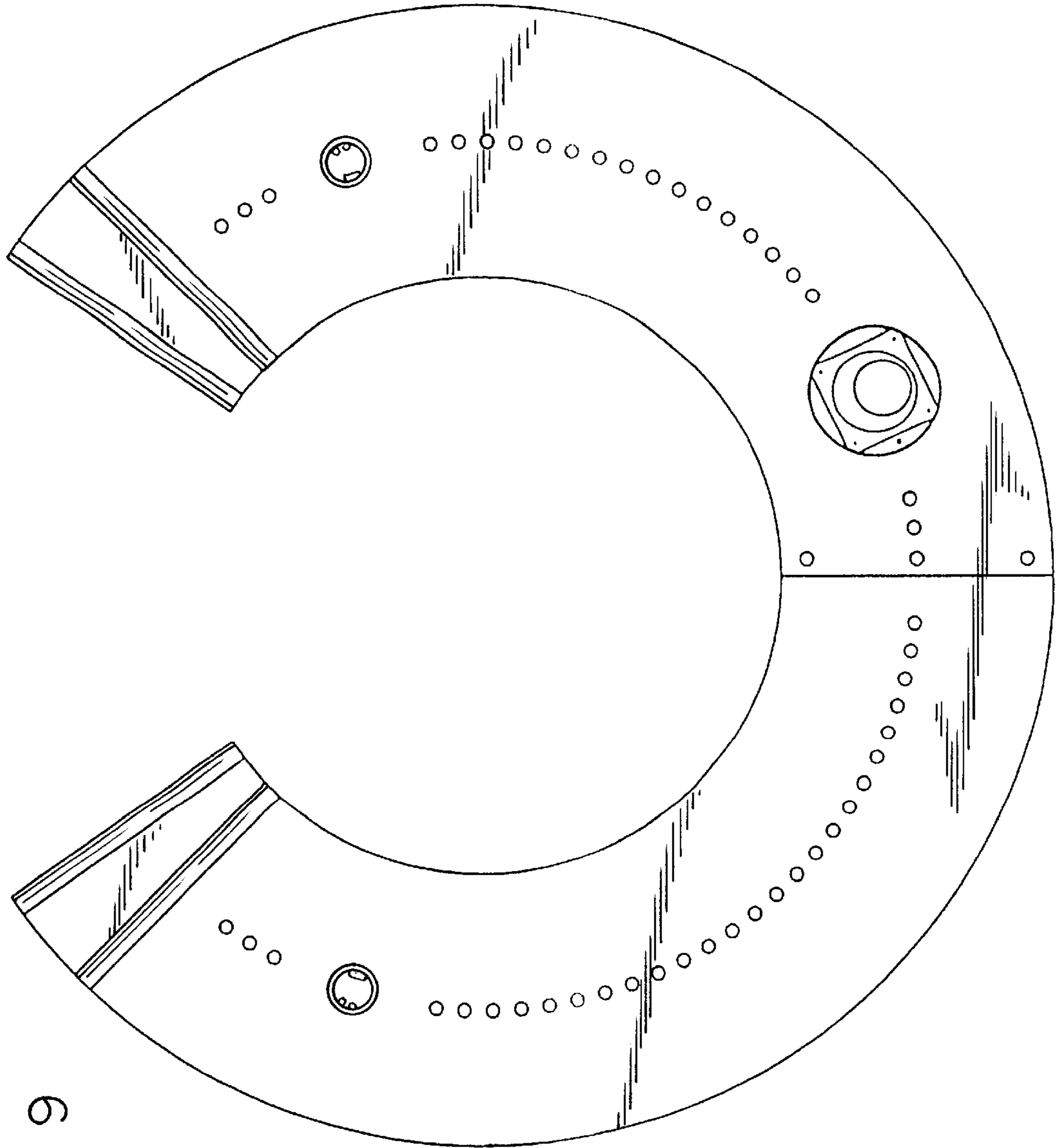


FIG. 9