



US00D486972S

(12) **United States Design Patent**
Tseng

(10) **Patent No.:** **US D486,972 S**

(45) **Date of Patent:** **** Feb. 24, 2004**

(54) **LAWN CHAIR**

D434,241 S * 11/2000 Tseng D6/376
D434,921 S * 12/2000 Tseng D6/376
D454,716 S * 3/2002 Tseng D6/379

(75) Inventor: **Chuen-Jong Tseng, Chiayi Hsien (TW)**

(73) Assignee: **Shin Yeh Enterprise Co., Ltd., Chiayi Hsien (TW)**

(**) Term: **14 Years**

* cited by examiner

Primary Examiner—Gary D. Watson
(74) *Attorney, Agent, or Firm*—Ladas & Parry

(21) Appl. No.: **29/178,598**

(22) Filed: **Mar. 28, 2003**

(57) **CLAIM**

The ornamental design for lawn chair, as shown and described.

(51) **LOC (7) Cl.** **06-01**

(52) **U.S. Cl.** **D6/376; D6/379**

(58) **Field of Search** D6/334, 374, 375,
D6/376, 379, 380, 500, 501, 502; 297/445.1,
446.1

DESCRIPTION

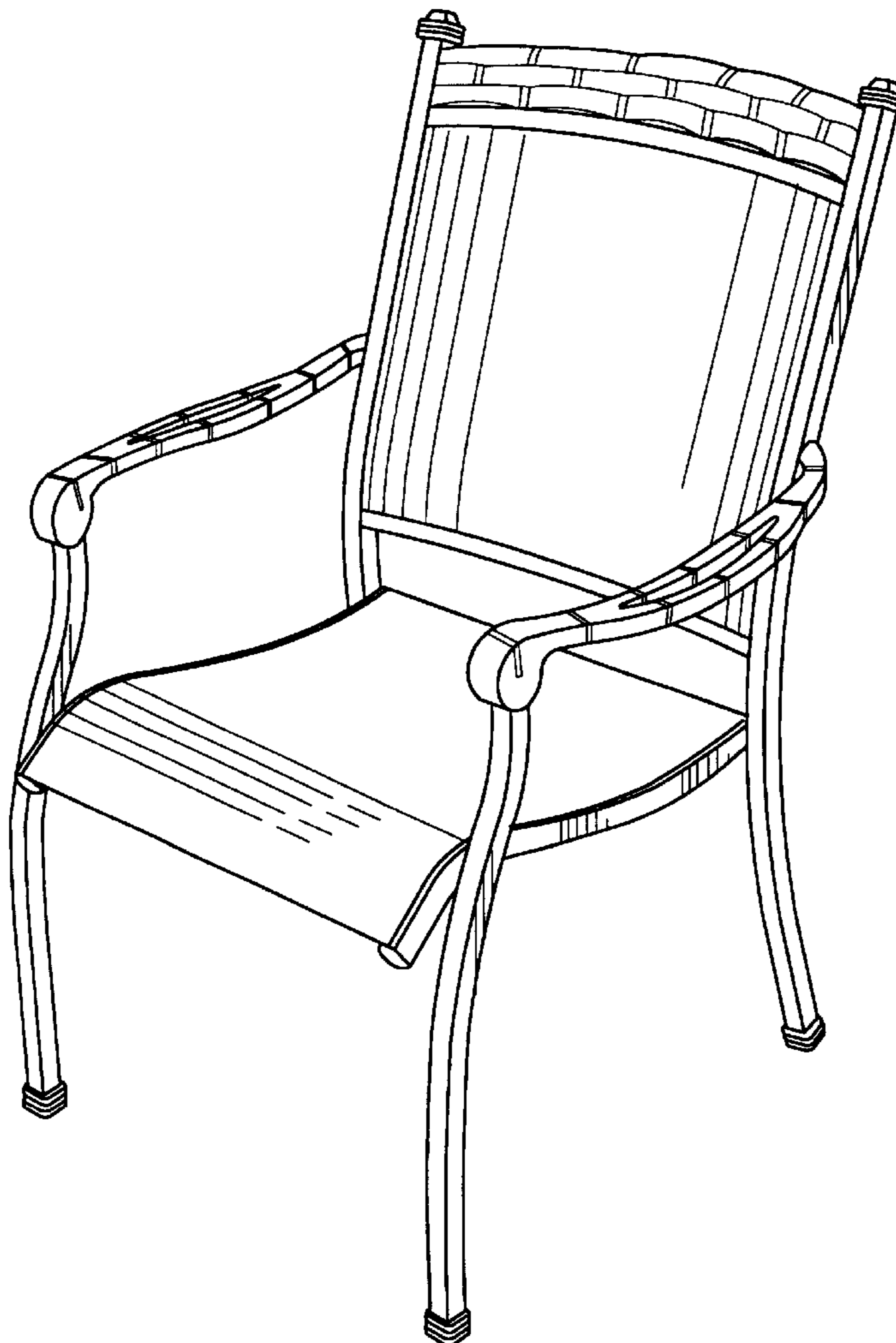
FIG. 1 is a perspective view of lawn chair showing my new design;
FIG. 2 is a front elevational view thereof;
FIG. 3 is a rear elevational view thereof;
FIG. 4 is a left side elevational view thereof;
FIG. 5 is a right side elevational view thereof;
FIG. 6 is a top plan view thereof; and,
FIG. 7 is a bottom plan view thereof.

(56) **References Cited**

U.S. PATENT DOCUMENTS

D191,355 S * 9/1961 Sussman D6/380
D394,759 S * 6/1998 Diramarian D6/379
D423,243 S * 4/2000 Massie et al. D6/376

1 Claim, 4 Drawing Sheets



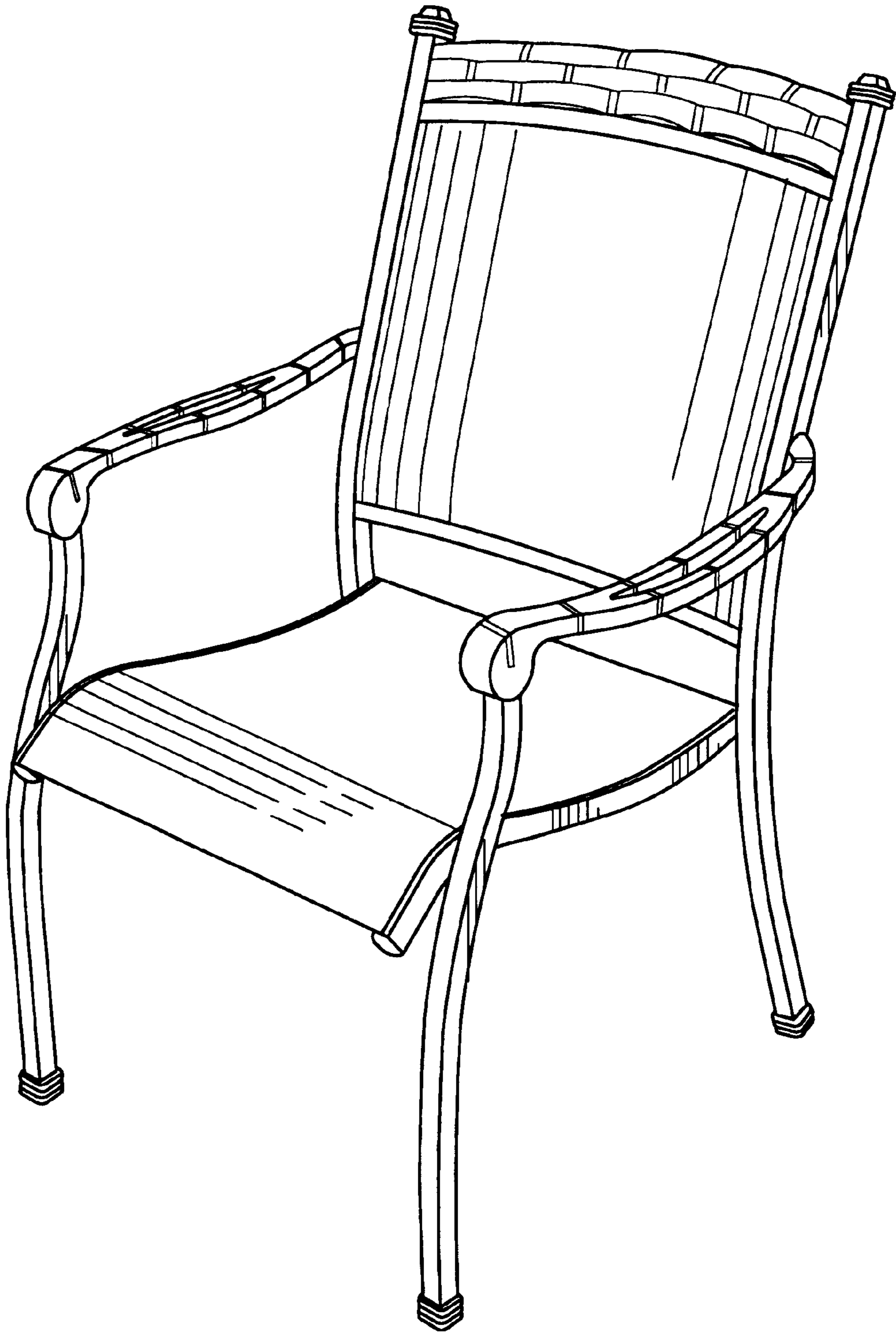


FIG. 1

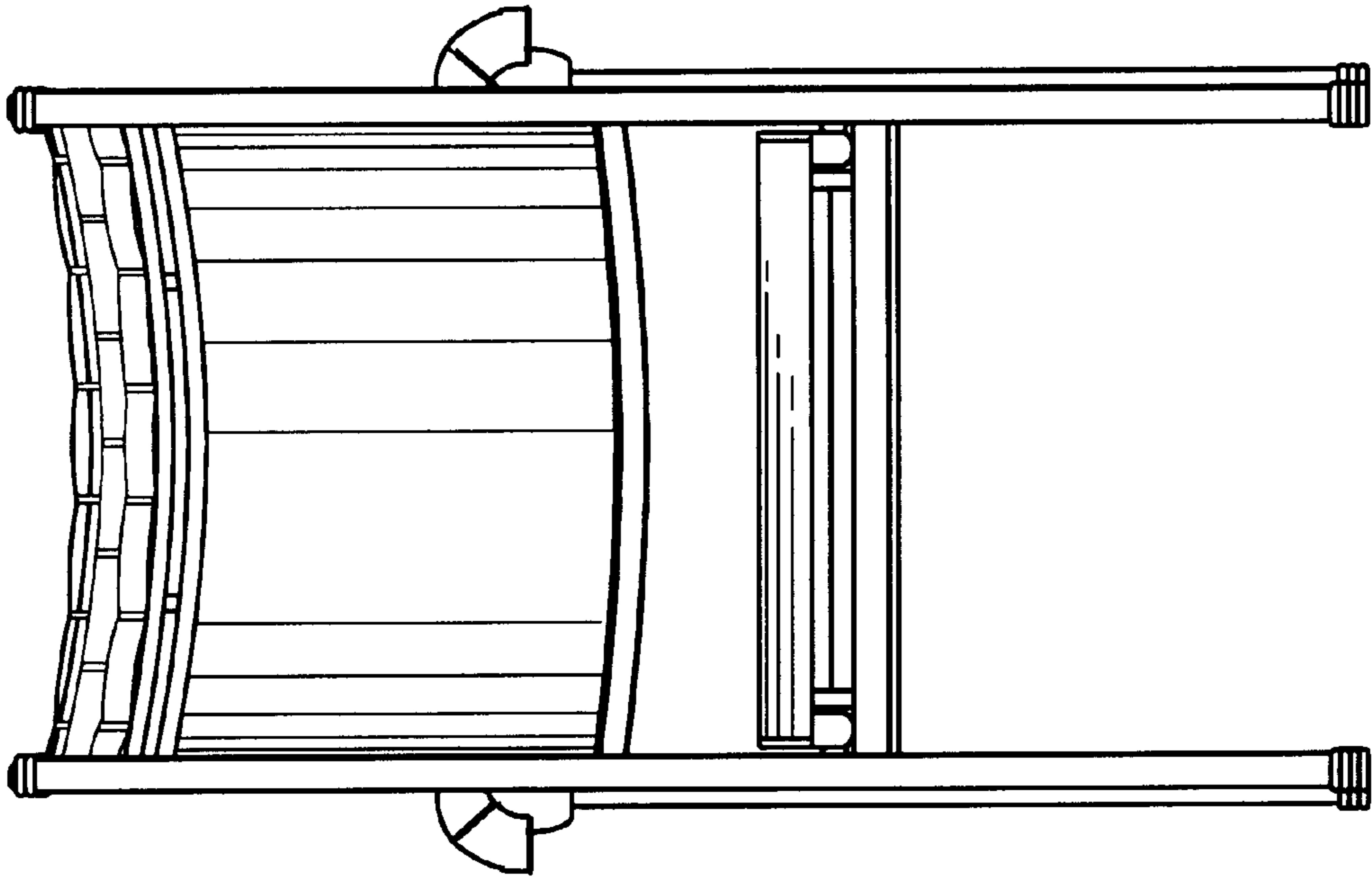


FIG. 2

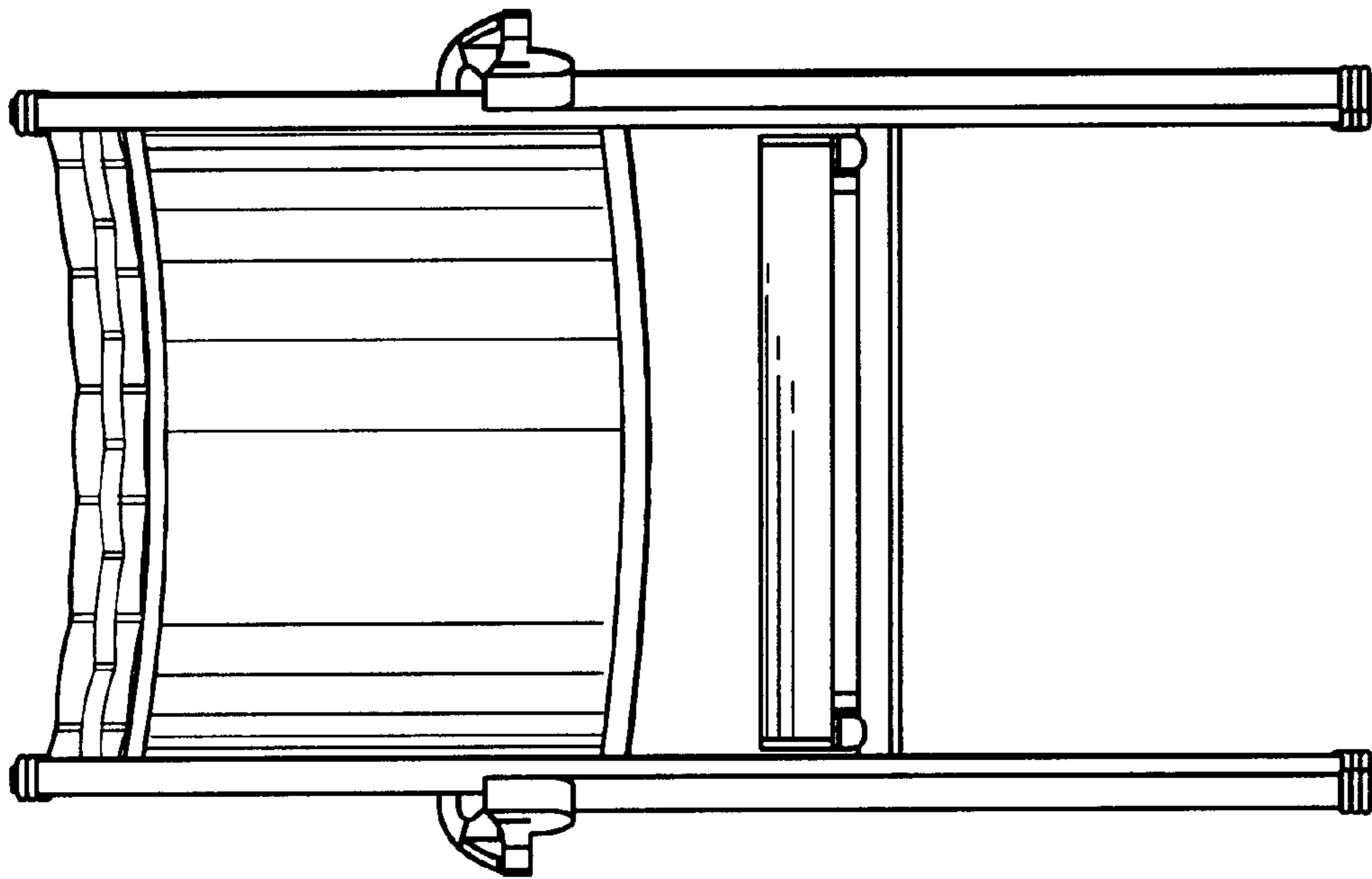


FIG. 3

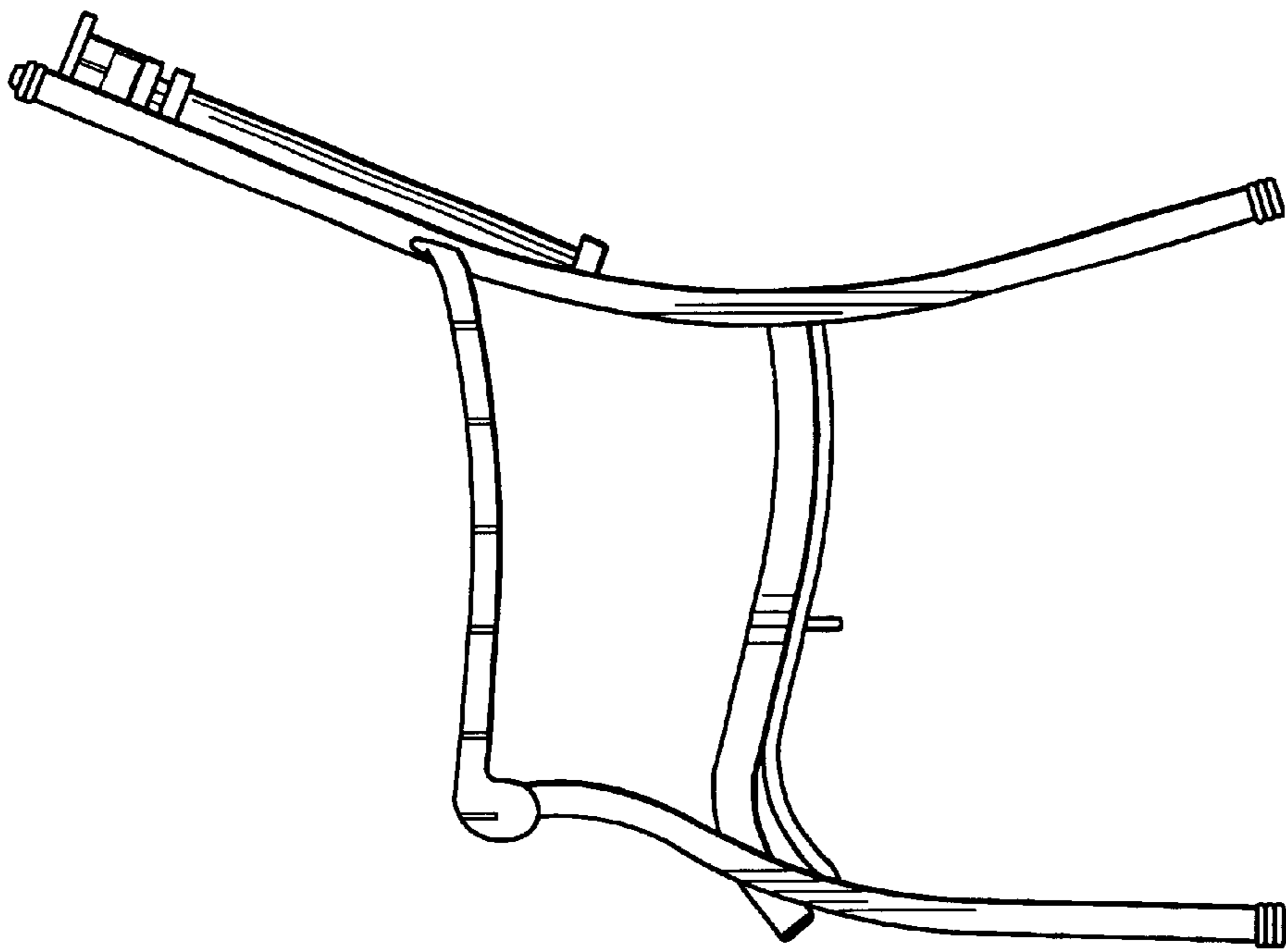


FIG. 5

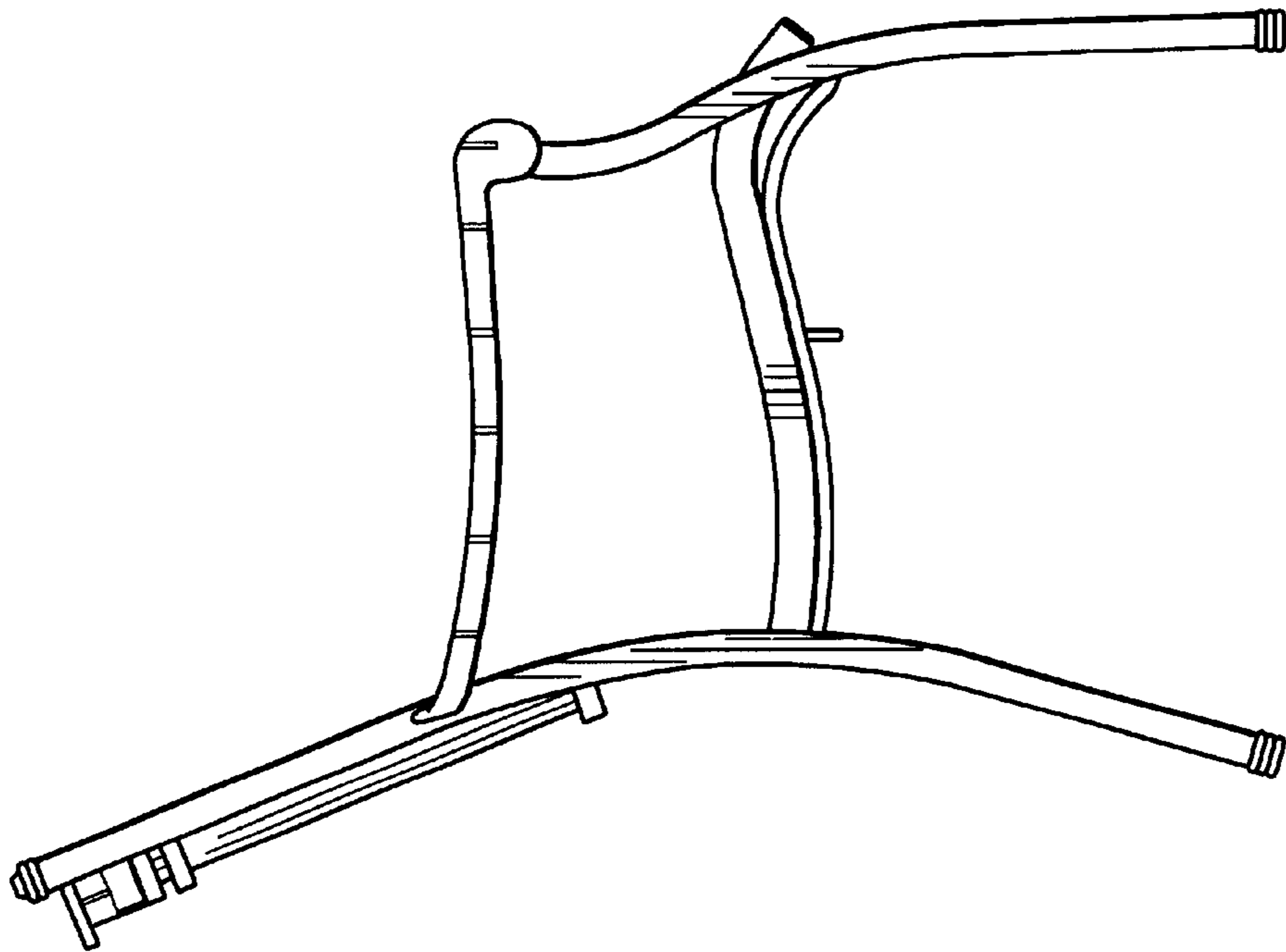


FIG. 4

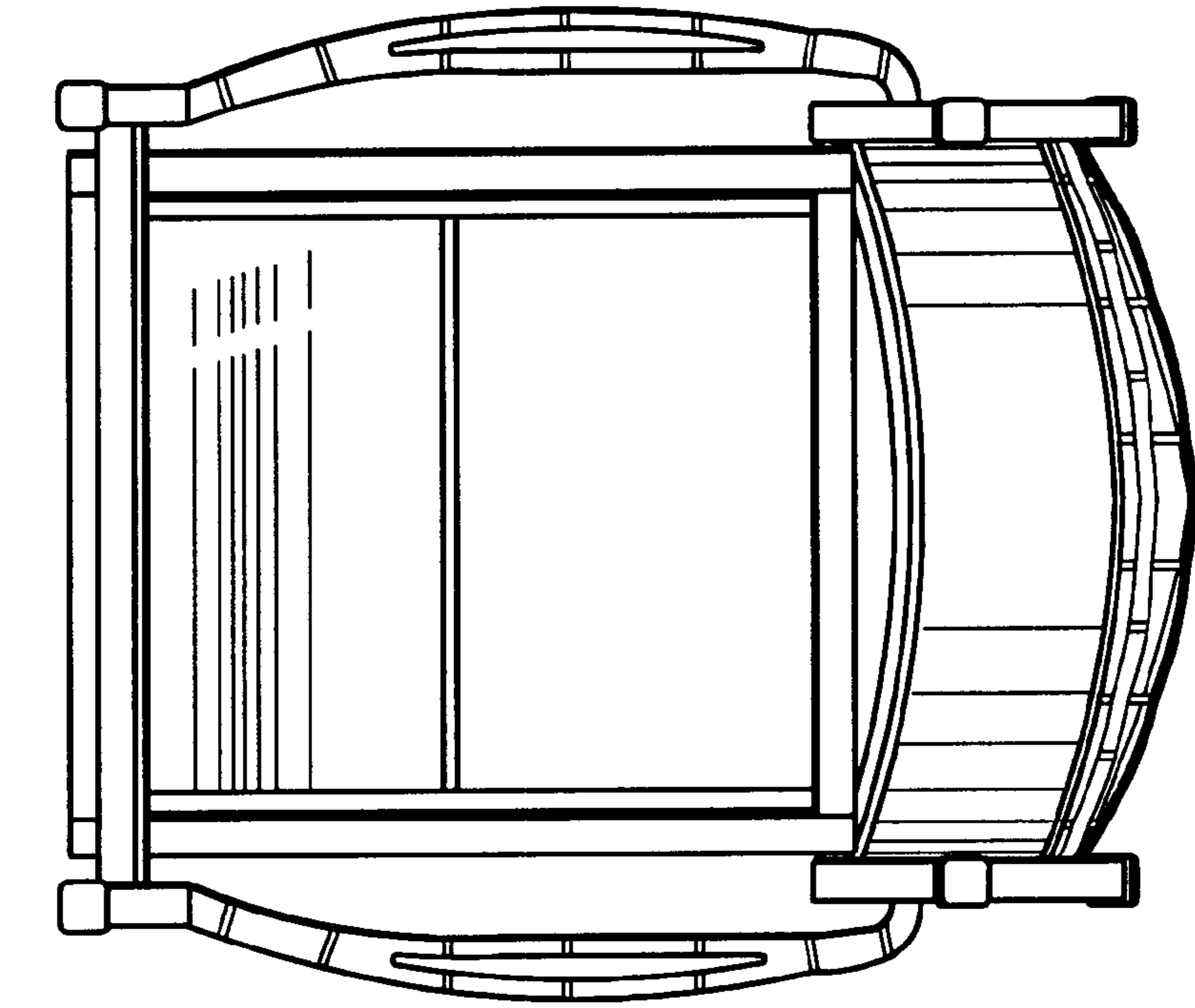


FIG. 6

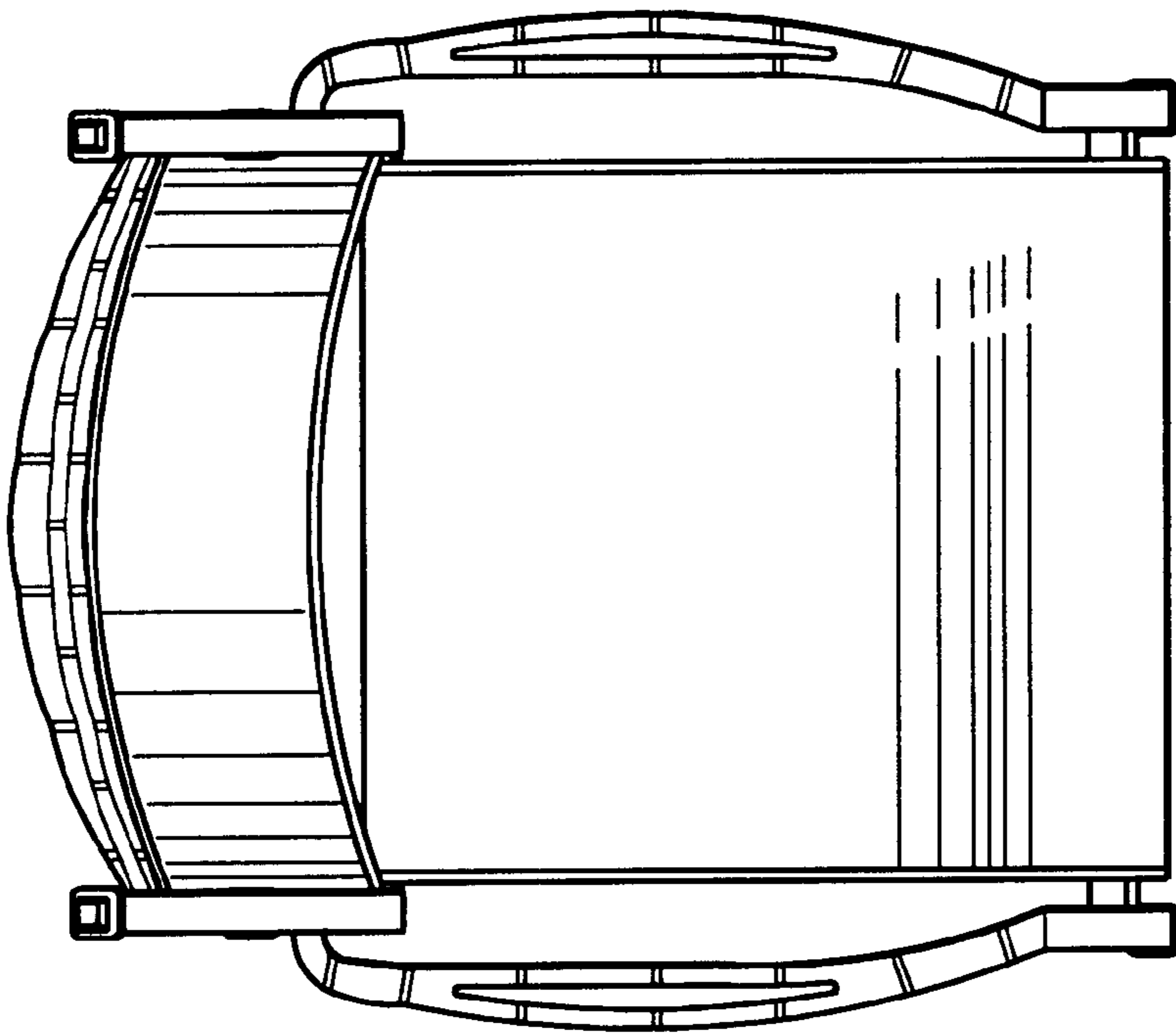


FIG. 7