



US00D486969S

(12) **United States Design Patent**
Weaver

(10) **Patent No.: US D486,969 S**

(45) **Date of Patent: ** Feb. 24, 2004**

(54) **CHAISE**

(75) Inventor: **Paul J. Weaver**, San Francisco, CA (US)

(73) Assignee: **Michael Taylor Designs, Inc.**, San Francisco, CA (US)

(**) Term: **14 Years**

(21) Appl. No.: **29/176,359**

(22) Filed: **Feb. 20, 2003**

(51) **LOC (7) Cl. 06-01**

(52) **U.S. Cl. D6/361**

(58) **Field of Search** D6/334, 335, 361,
D6/367, 370, 374, 500, 501, 502; 297/377,
445.1, 446.1, 452.2, 452.63

(56) **References Cited**

U.S. PATENT DOCUMENTS

3,737,926 A *	6/1973	Hermanson	D6/361
D259,679 S *	6/1981	Sroub	D6/361
D278,392 S *	4/1985	Bayly	D6/361
D301,412 S *	6/1989	Duvivier	D6/361
D414,049 S *	9/1999	van Rhienen	D6/361
D429,909 S *	8/2000	Hoisl	D6/361
D439,757 S *	4/2001	Saad Rionda	D6/361
D450,942 S *	11/2001	Jones	D6/361

OTHER PUBLICATIONS

Architectural Digest, "La Quinta Norte—Douglas S. Cramer's Ranch in Santa Ynez Valley", pp. 137–147, May 1985.
Weaver, pending U.S. design patent application Ser. No. 29/176,361, filed Feb. 20, 2003, entitled "LOUNGE CHAIR".

Weaver, pending U.S. design patent application Ser. No. 29/176,307, filed Feb. 20, 2003, entitled "OTTOMAN".

Weaver, pending U.S. design patent application Ser. No. 29/176,305, filed Feb. 20, 2003, entitled "CHAISE".

Weaver, pending U.S. design patent application Ser. No. 29/176,303, filed Feb. 20, 2003, entitled "DINING CHAIR".

Weaver, pending U.S. design patent application Ser. No. 29/176,300, filed Feb. 20, 2003, entitled "PLATFORM".

* cited by examiner

Primary Examiner—Gary D. Watson

(74) *Attorney, Agent, or Firm*—Heslin Rothenberg Farley & Mesiti P.C.

(57) **CLAIM**

The ornamental design for the chaise, as shown and described.

DESCRIPTION

FIG. 1 is a perspective view of a chaise in accordance with the new design with a portion thereof in an elevated position; FIG. 2 is a top view thereof;

FIG. 3 is a right side elevational view thereof, a left side elevational view being a mirror image thereof;

FIG. 4 is a front elevational view thereof;

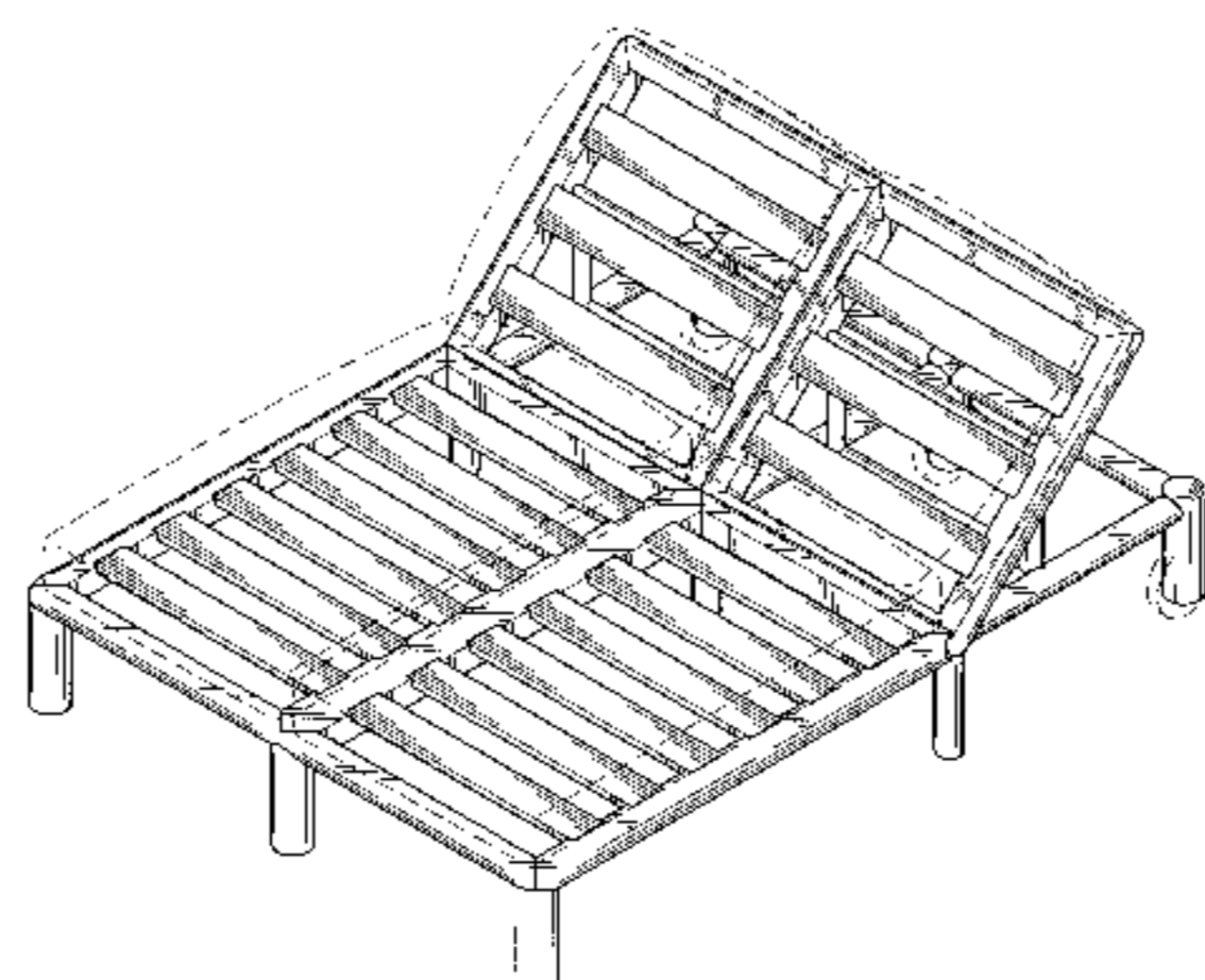
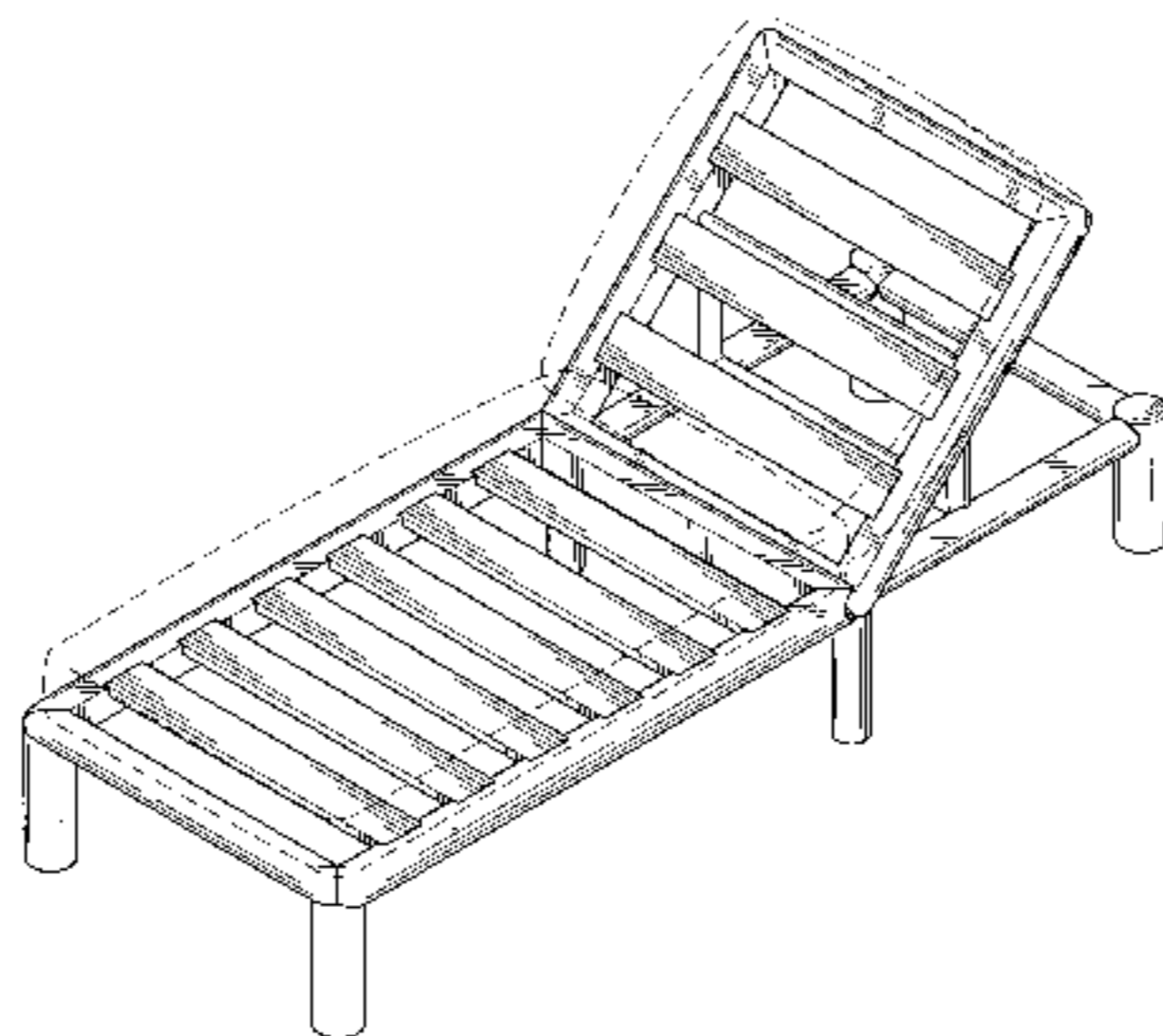
FIG. 5 is a rear elevational view thereof;

FIG. 6 is another perspective view of a chaise in accordance with the new design which differs from FIG. 1 by the addition of environment in the form of wheels which are shown in broken lines and form no part of the claimed design; and,

FIG. 7 is a perspective view of an alternative embodiment of a chaise in accordance with the new design which differs from FIG. 1 by the addition of another seating section and by the addition of the broken lines illustrating wheels.

The broken lines in FIGS. 1, 6, and 7 are for illustrative purposes only and form no part of the claimed design.

1 Claim, 5 Drawing Sheets



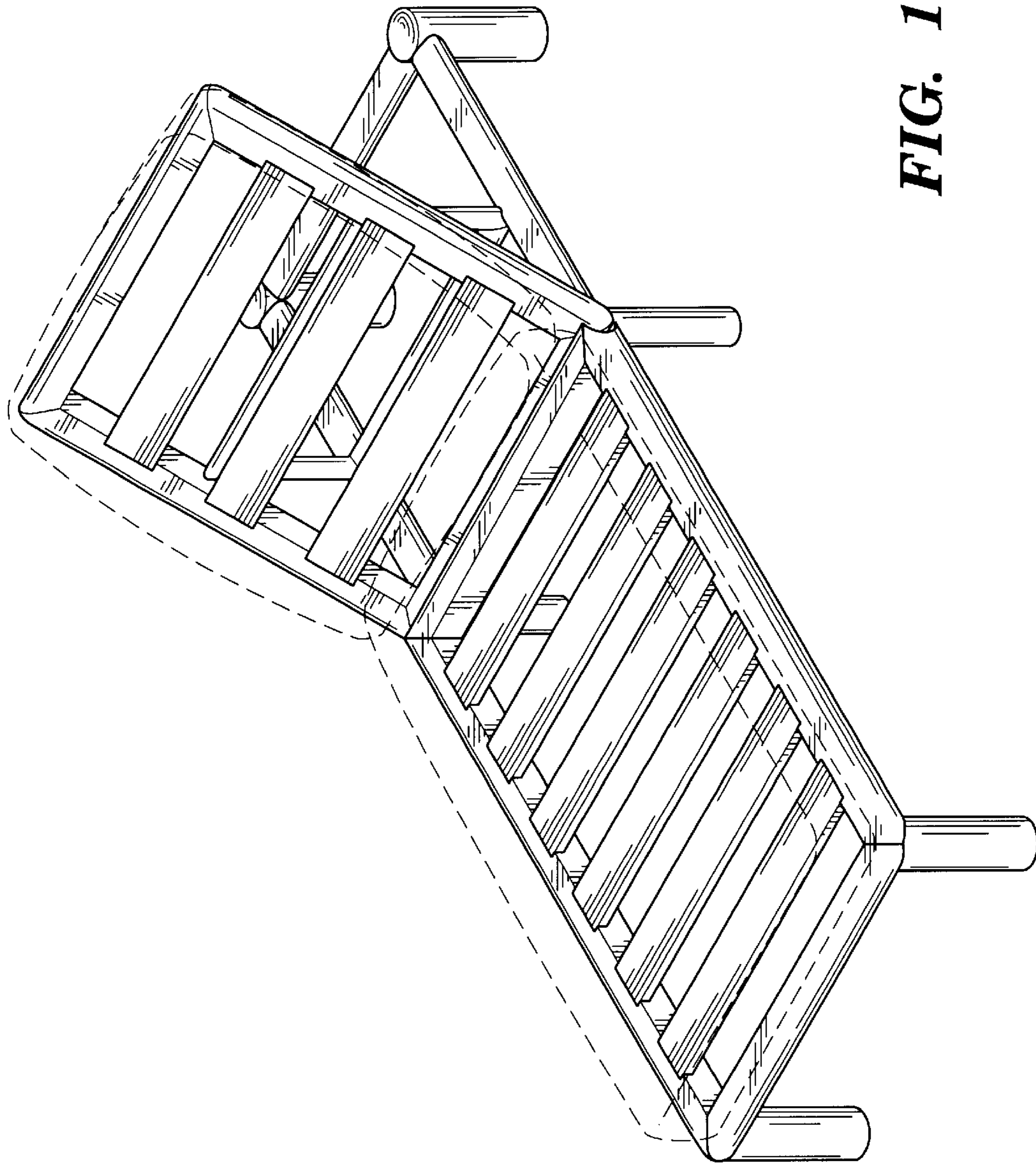


FIG. 1

FIG. 2

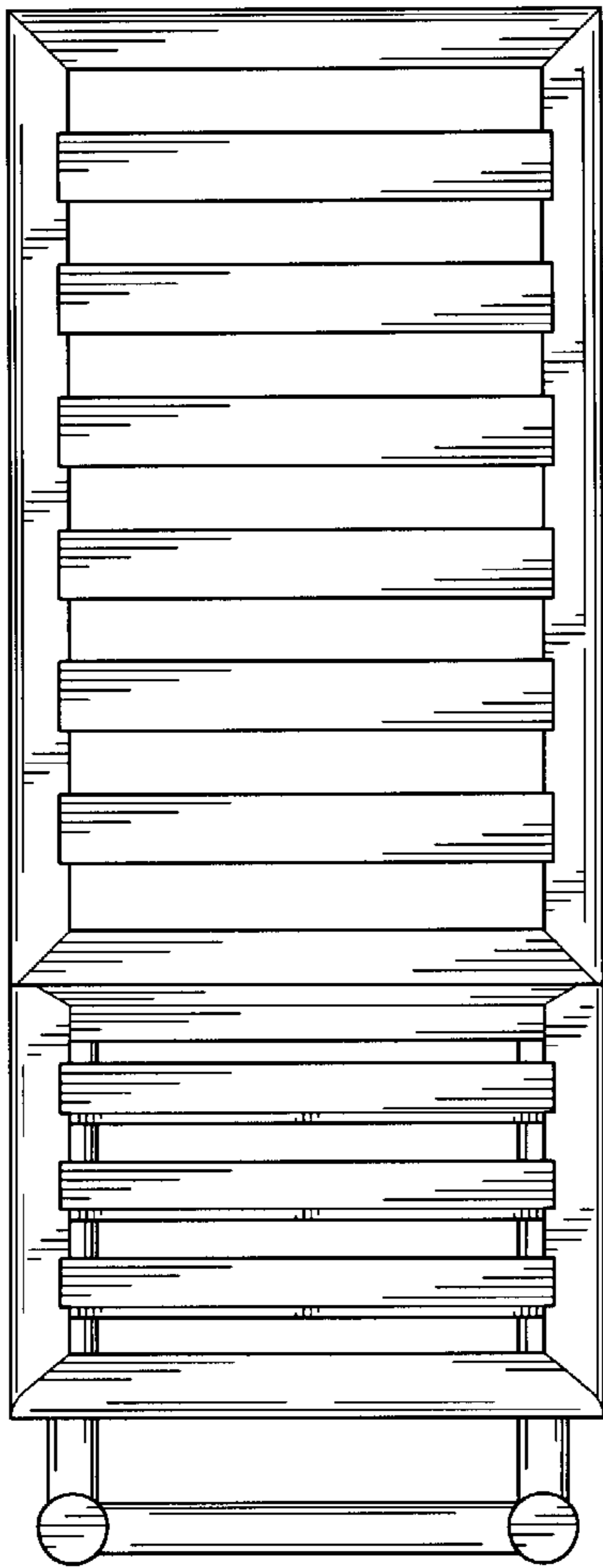
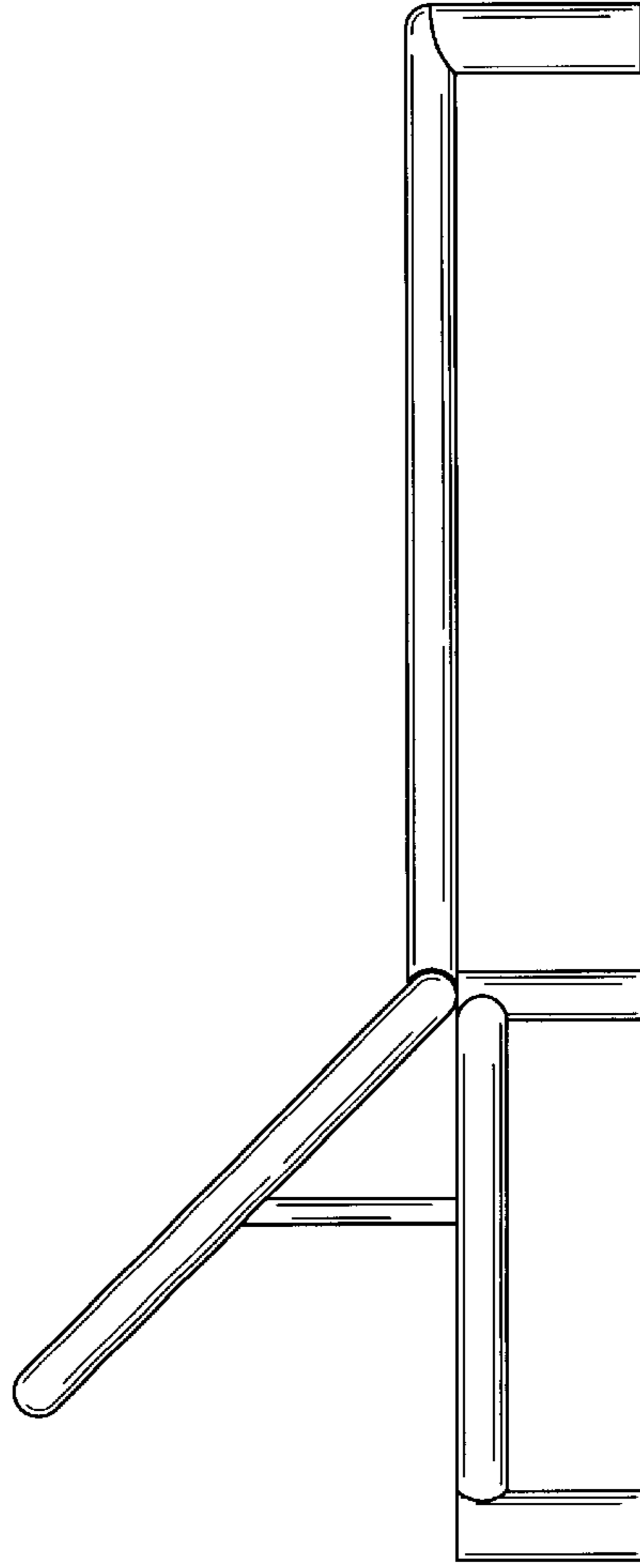


FIG. 3



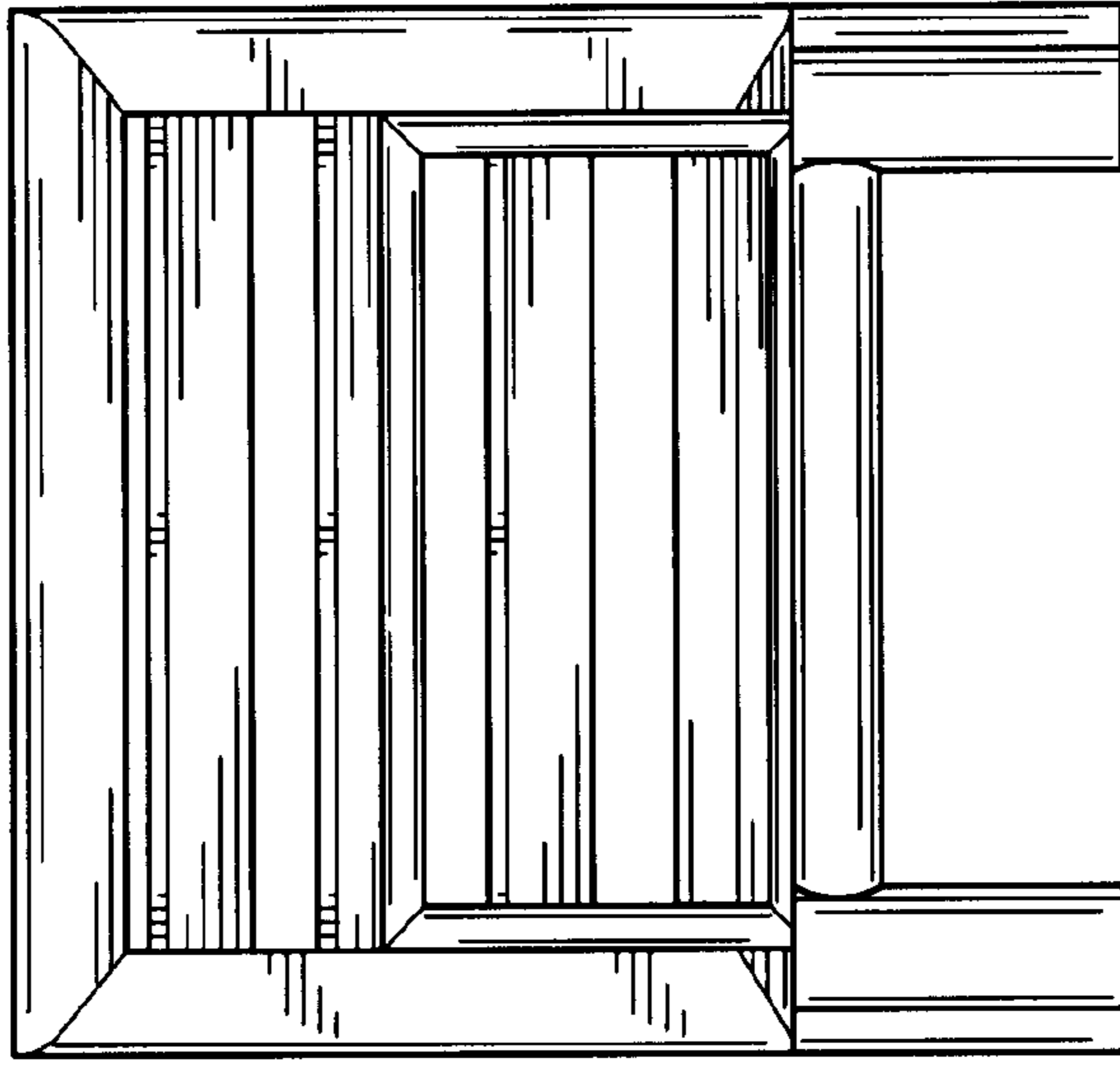


FIG. 5

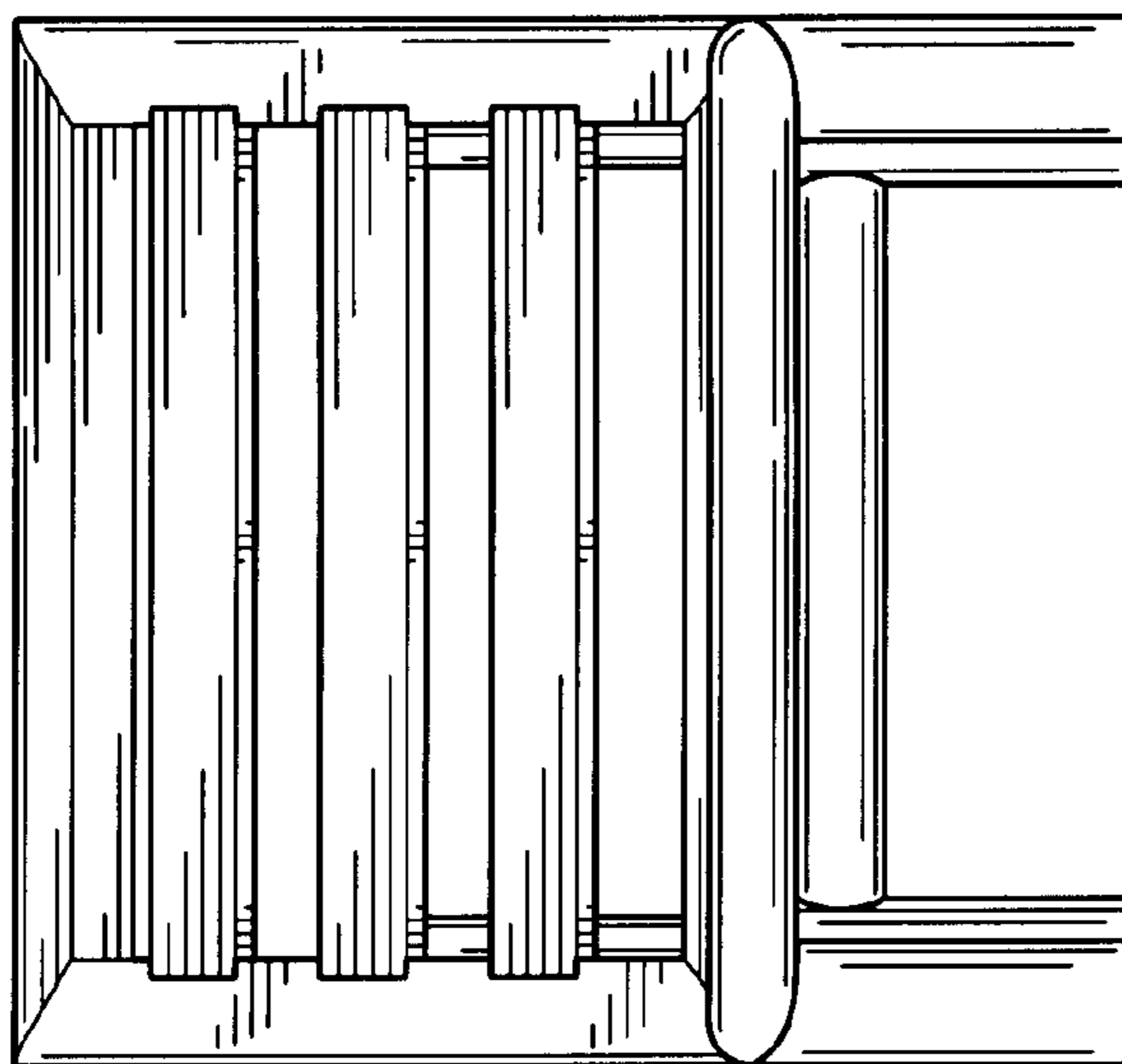


FIG. 4

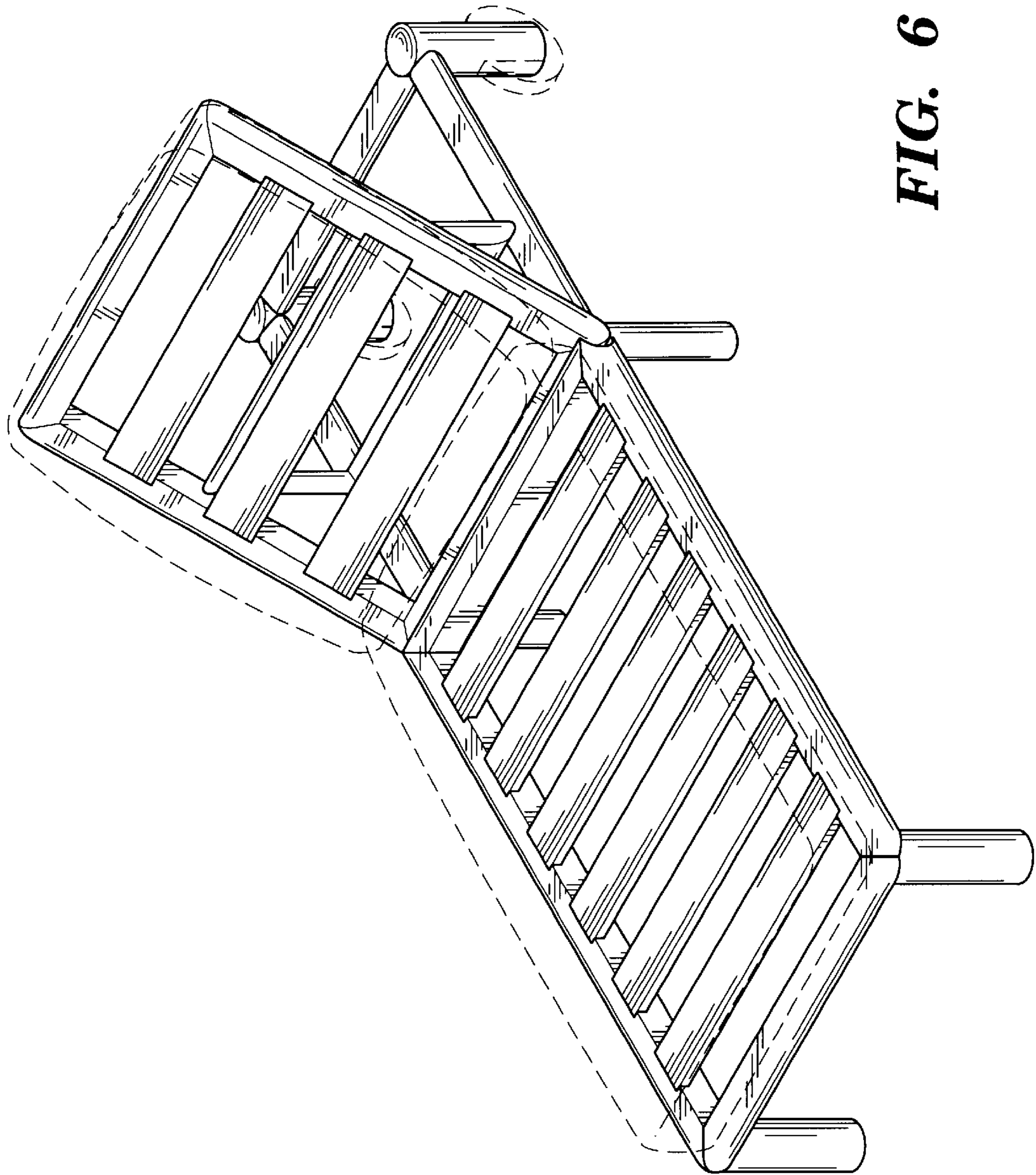


FIG. 6

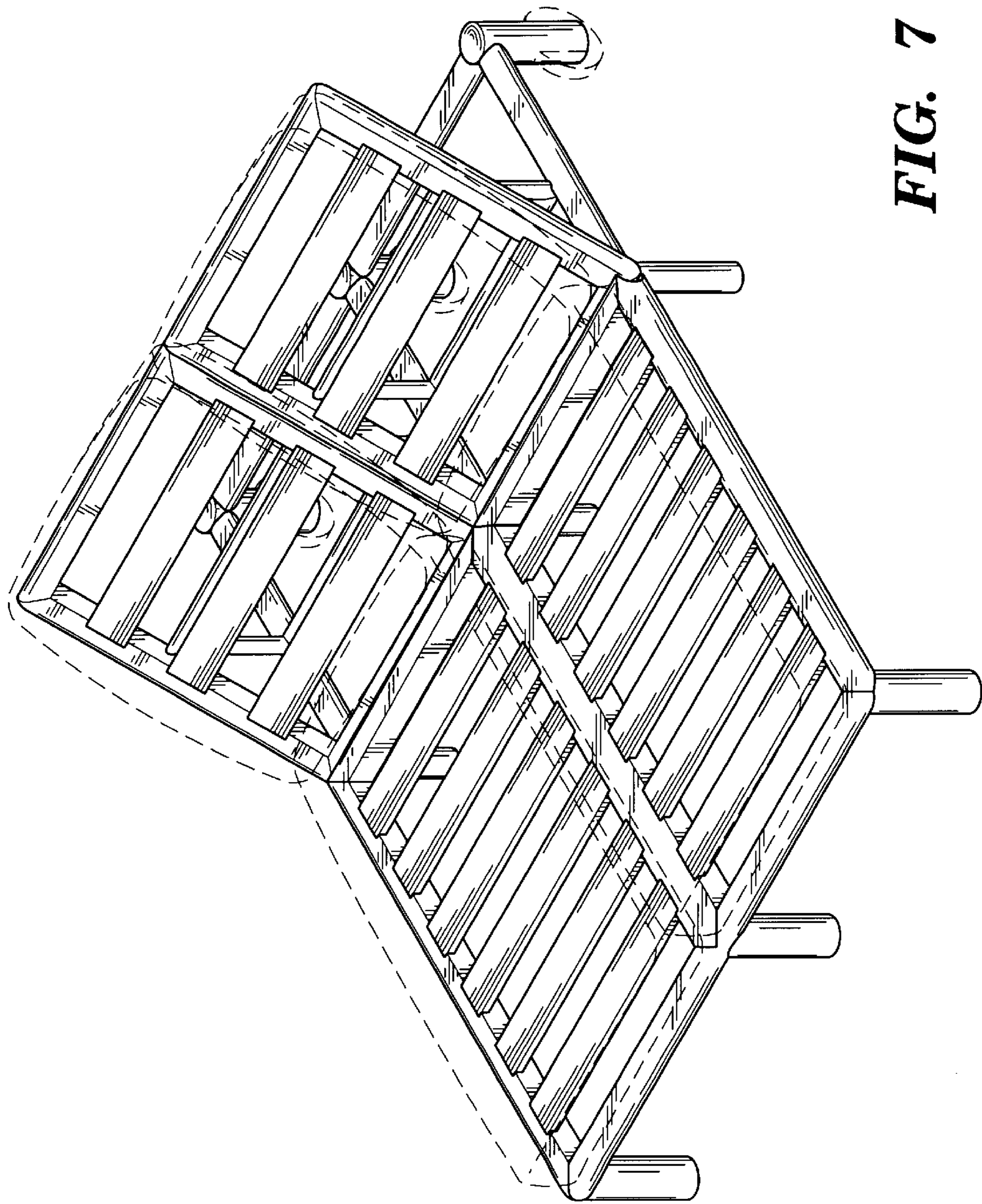


FIG. 7