



US00D486965S

(12) **United States Design Patent**
Hsia

(10) **Patent No.:** **US D486,965 S**

(45) **Date of Patent:** **** Feb. 24, 2004**

(54) **SWING**

(76) **Inventor:** **Ben M. Hsia**, 19401 Business Center
Dr., Northridge, CA (US) 91324

(**) **Term:** **14 Years**

(21) **Appl. No.:** **29/183,791**

(22) **Filed:** **Jun. 18, 2003**

(51) **LOC (7) Cl.** **06-01**

(52) **U.S. Cl.** **D6/347**

(58) **Field of Search** D6/333, 334, 347,
D6/348, 374, 375, 500-502; D12/129; D21/823;
297/232, 259.3, 281, 282, 273, 274, 275,
277; 472/120, 125, 118, 119

(56) **References Cited**

U.S. PATENT DOCUMENTS

D293,046 S	*	12/1987	Riehm	D6/347
D298,187 S	*	10/1988	Lacewell	D6/347
D368,816 S	*	4/1996	Mitchell et al.	D6/500
5,525,113 A	*	6/1996	Mitchell et al.	472/119
5,769,727 A	*	6/1998	Fair et al.	472/118
6,010,410 A	*	1/2000	Lauro et al.	472/118
D428,268 S	*	7/2000	Fair	D6/344

6,319,138 B1 * 11/2001 Fair et al. 472/119

D452,191 S * 12/2001 Carpenter D12/129

6,500,072 B1 * 12/2002 Myers et al. 472/119

6,511,123 B1 * 1/2003 Sitarski et al. 472/118

6,585,319 B2 * 7/2003 Tseng 297/281

* cited by examiner

Primary Examiner—Robert M. Spear

Assistant Examiner—Mimosa De

(74) *Attorney, Agent, or Firm*—Morgan Lewis & Bockius
LLP

(57) **CLAIM**

The ornamental design for swing, as shown and described.

DESCRIPTION

FIG. 1 is a perspective view of swing showing my new design;

FIG. 2 is a front elevational view thereof;

FIG. 3 is a rear elevational view thereof;

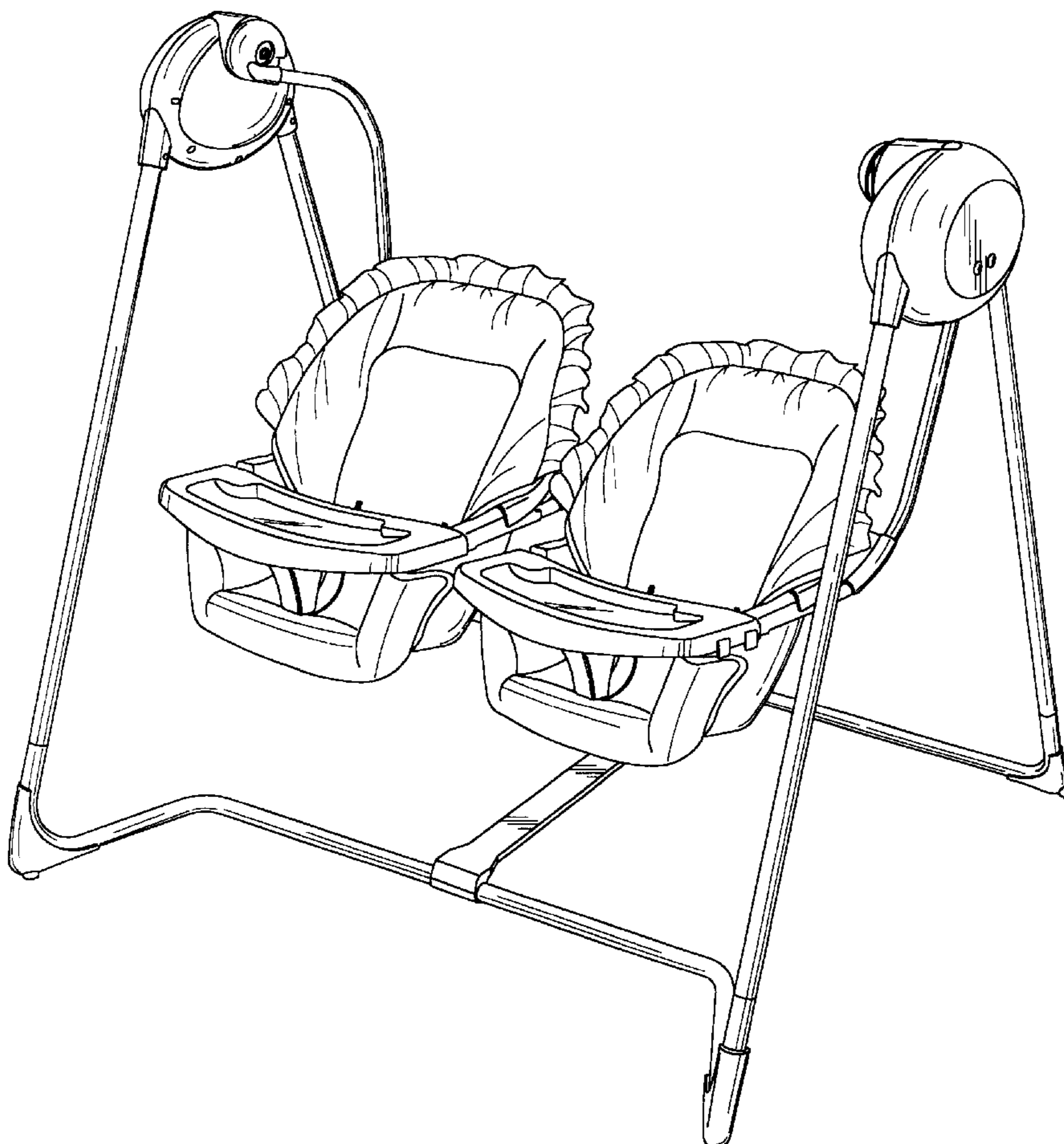
FIG. 4 is a left side elevational view thereof;

FIG. 5 is a right side elevational view thereof;

FIG. 6 is a top plan view thereof; and,

FIG. 7 is a bottom plan view thereof.

1 Claim, 7 Drawing Sheets



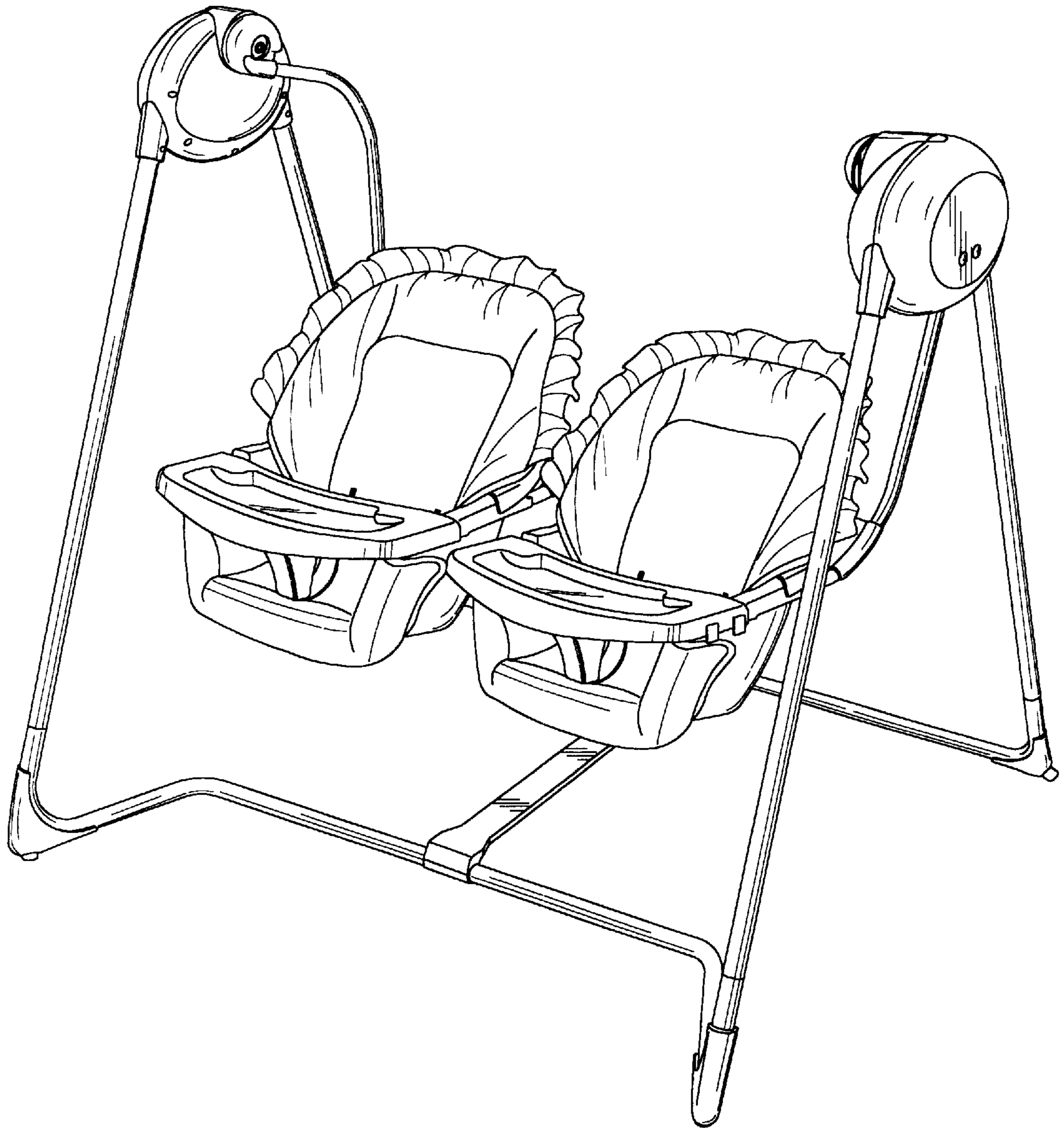


FIG. 1

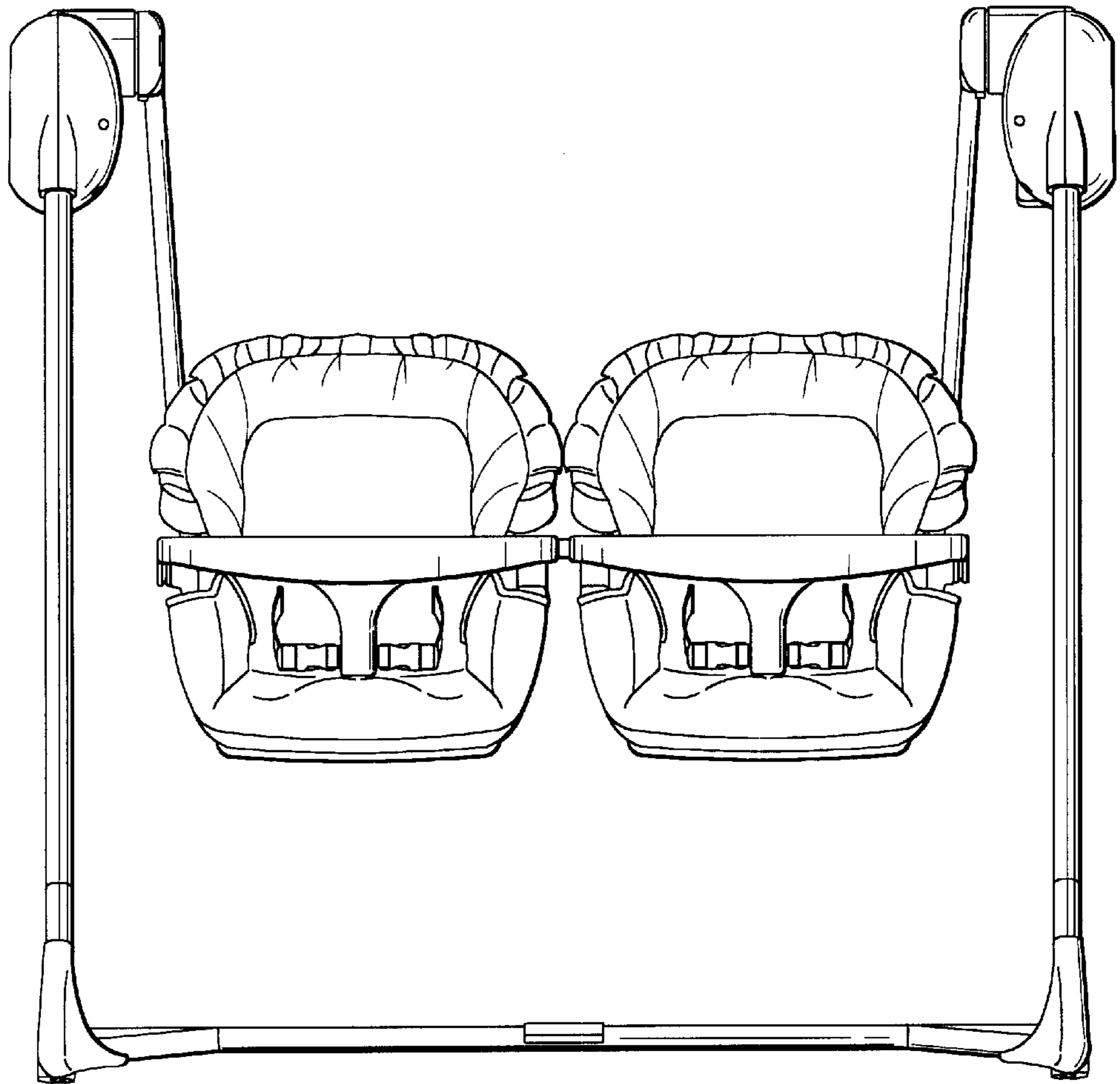


FIG. 2

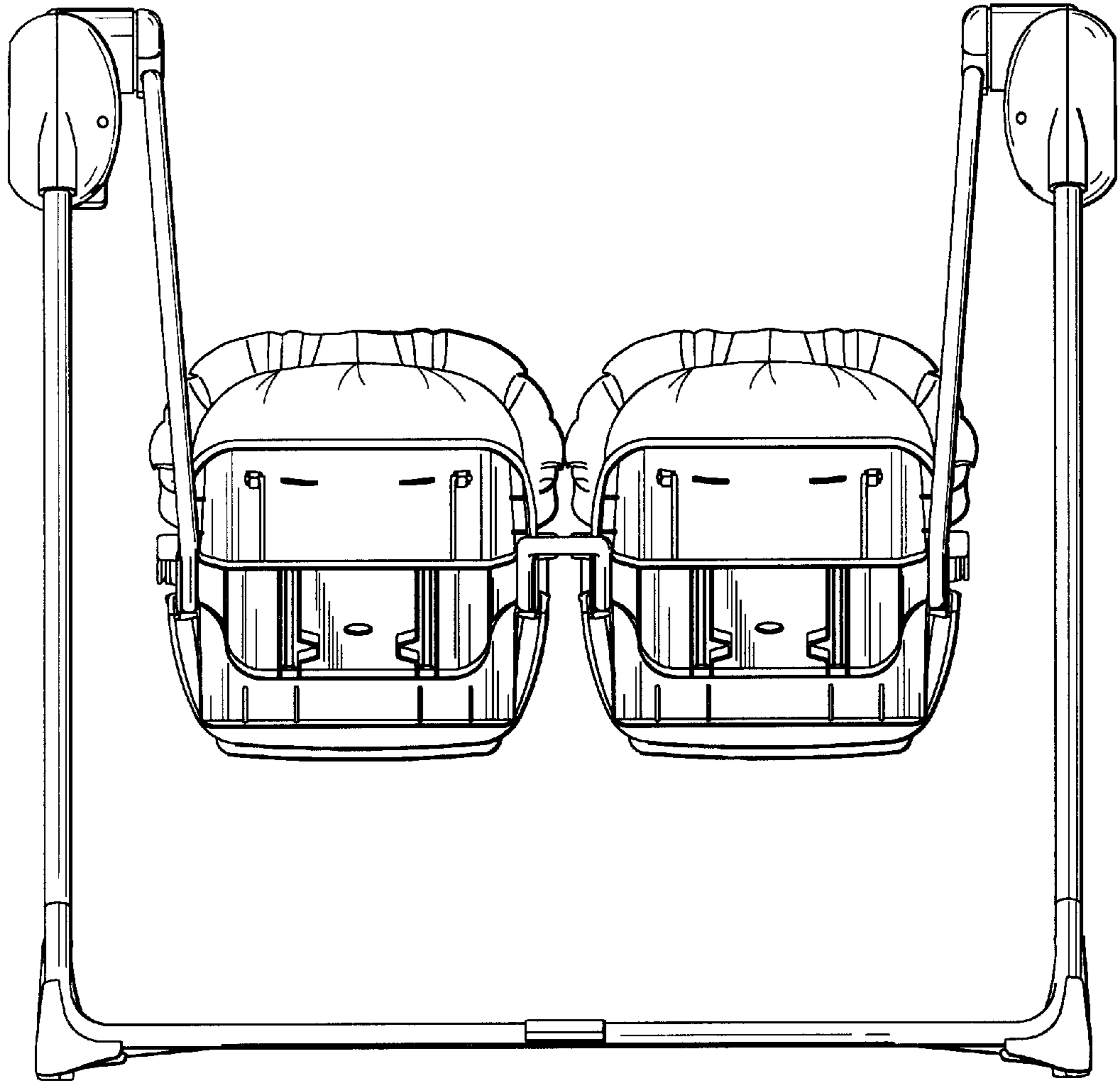


FIG. 3

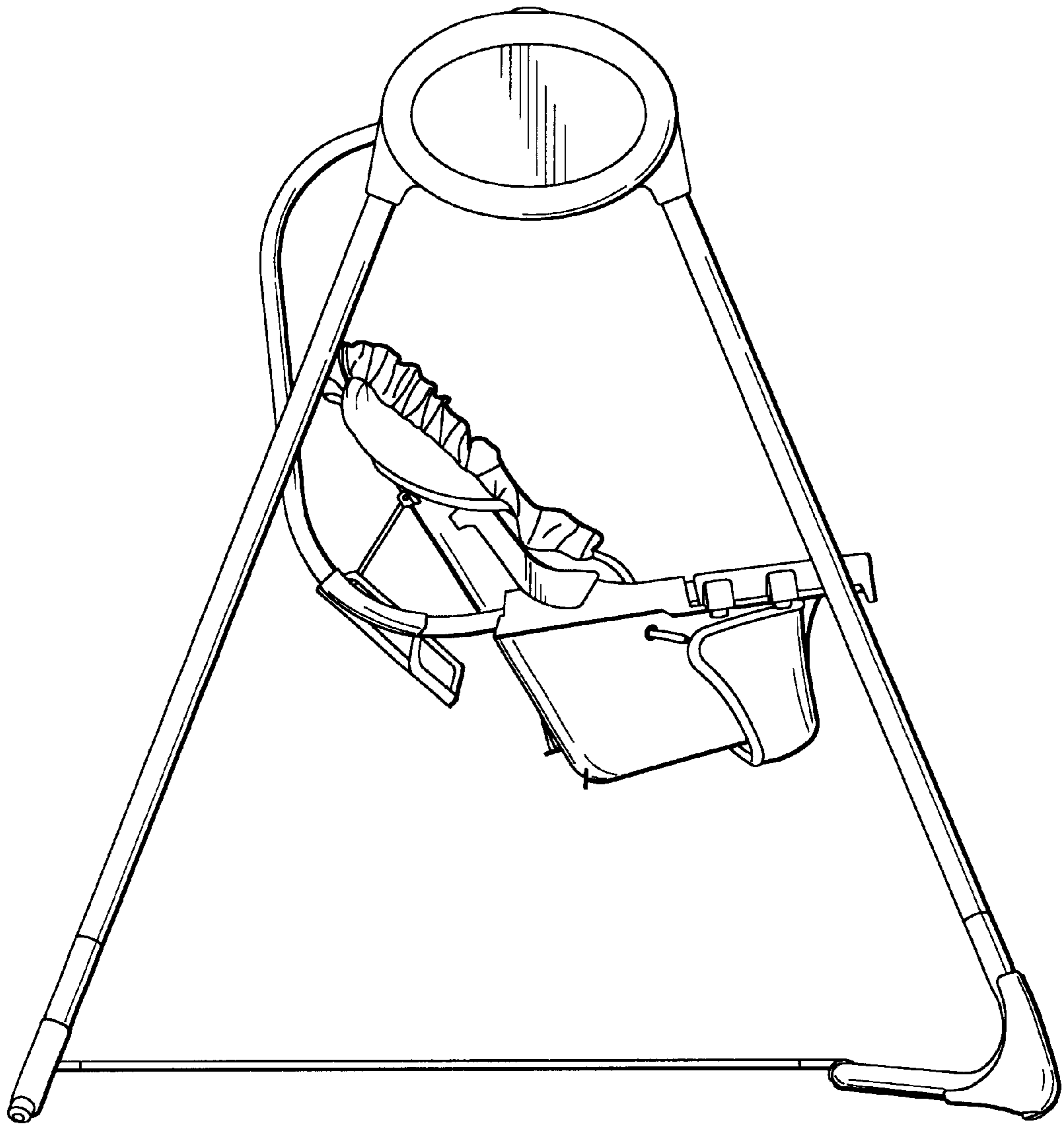


FIG. 4

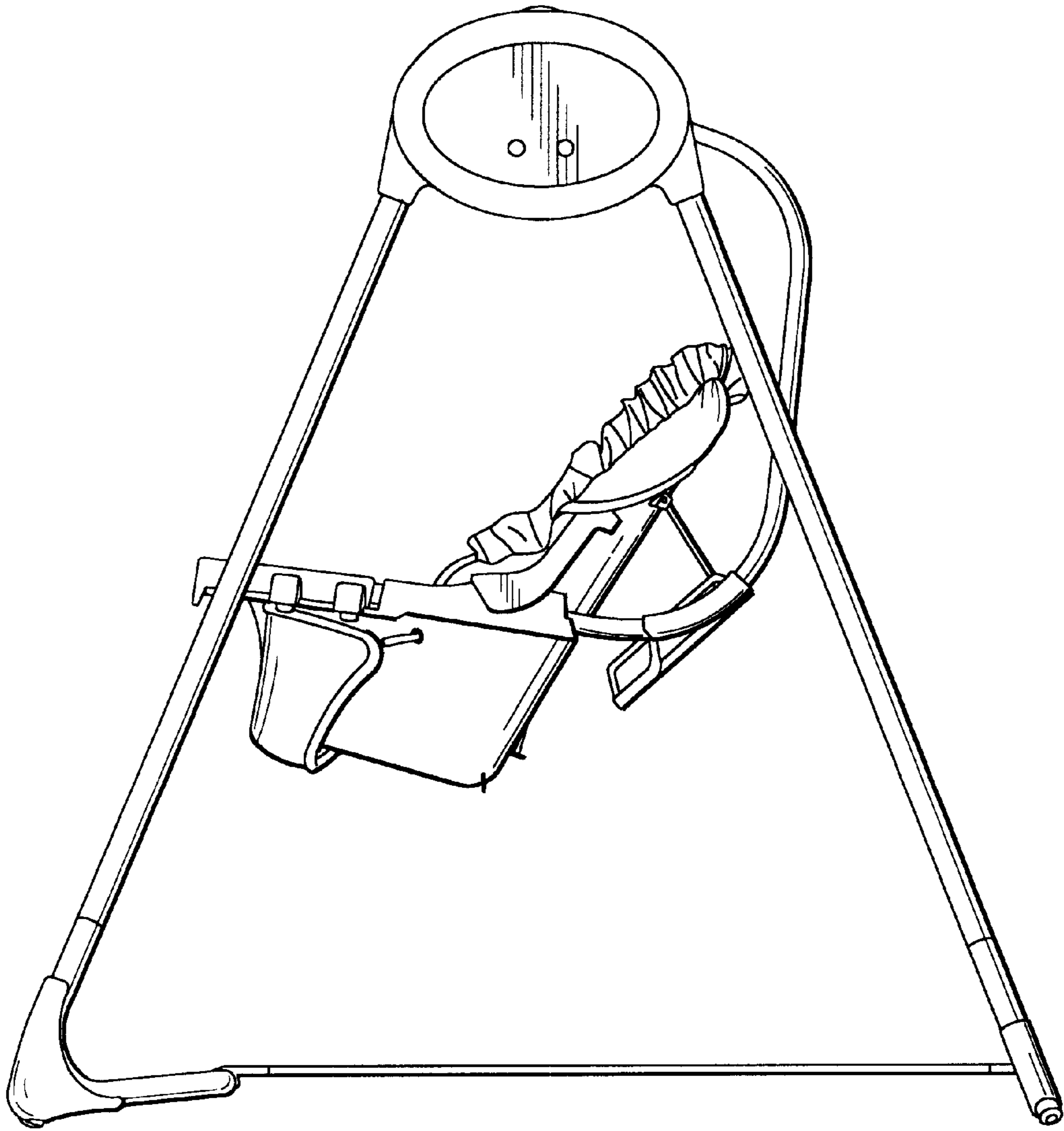


FIG. 5

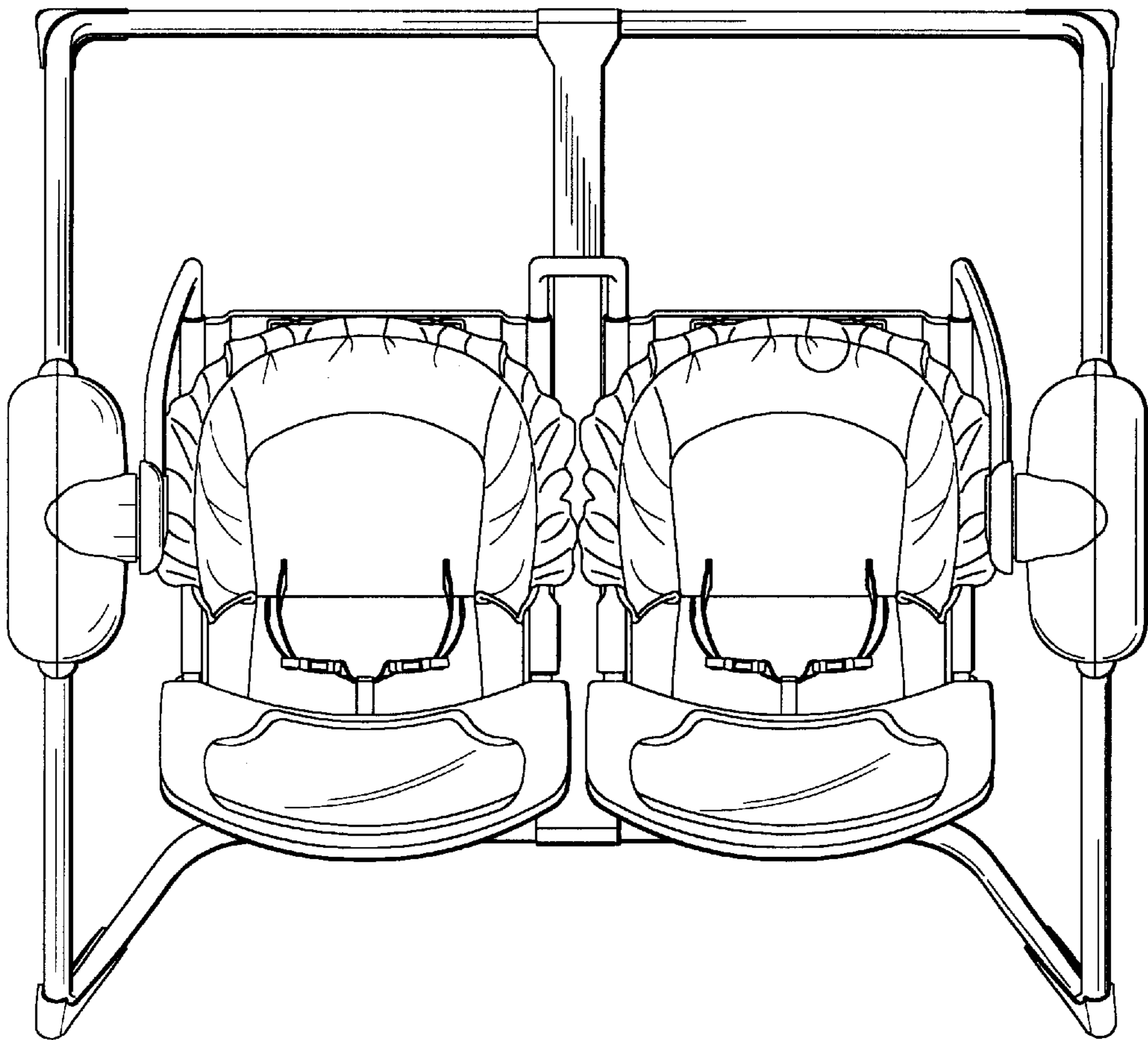


FIG. 6

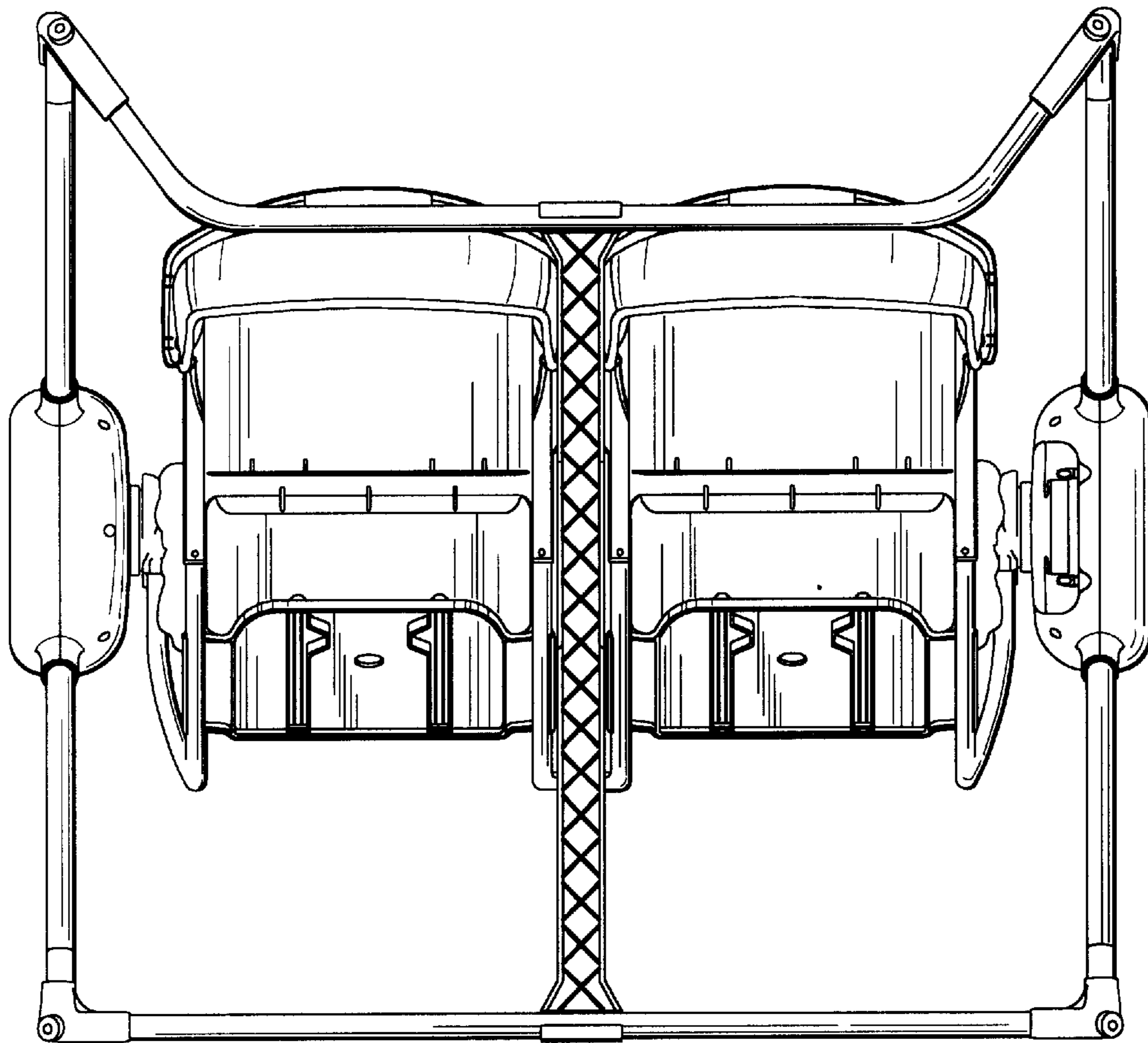


FIG. 7