



US00D486962S

(12) **United States Design Patent**
Snell

(10) **Patent No.:** **US D486,962 S**

(45) **Date of Patent:** **** Feb. 24, 2004**

(54) **SUCTION MIRROR**

(75) Inventor: **Russell Benton Snell**, Bentleyville, OH (US)

(73) Assignee: **InterDesign, Inc.**, Solon, OH (US)

(**) Term: **14 Years**

(21) Appl. No.: **29/179,970**

(22) Filed: **Apr. 17, 2003**

(51) **LOC (7) Cl.** **06-07**

(52) **U.S. Cl.** **D6/309**

(58) **Field of Search** D6/300-303, 309-314; 40/700, 711, 714-716, 722, 724, 745, 747, 749, 780, 790, 798, 757, 597; 359/838, 871, 879, 883; 248/469, 467

(56) **References Cited**

U.S. PATENT DOCUMENTS

D258,475 S	*	3/1981	Edstrom	D6/526
D358,715 S	*	5/1995	Young	D6/300
D377,421 S	*	1/1997	Young	D6/300
D465,933 S	*	11/2002	Henderson et al.	D6/309

* cited by examiner

Primary Examiner—Janice E. Seeger

(74) *Attorney, Agent, or Firm*—D. Peter Hochberg; Sean Mellino; Katherine R. Vieyra

(57) **CLAIM**

The ornamental design for a suction mirror, as shown and described.

DESCRIPTION

FIG. 1 is a perspective view of a suction mirror embodying this invention, with phantom views of suction cups for mounting the mirror;

FIG. 2 is a top view of the mirror shown in FIG. 1, with phantom views of suction cups for mounting the mirror;

FIG. 3 is a front view of the mirror shown in FIG. 1, with phantom views of suction cups for mounting the mirror;

FIG. 4 is a right side elevation view of the mirror shown in FIG. 1, with phantom views of suction cups for mounting the mirror;

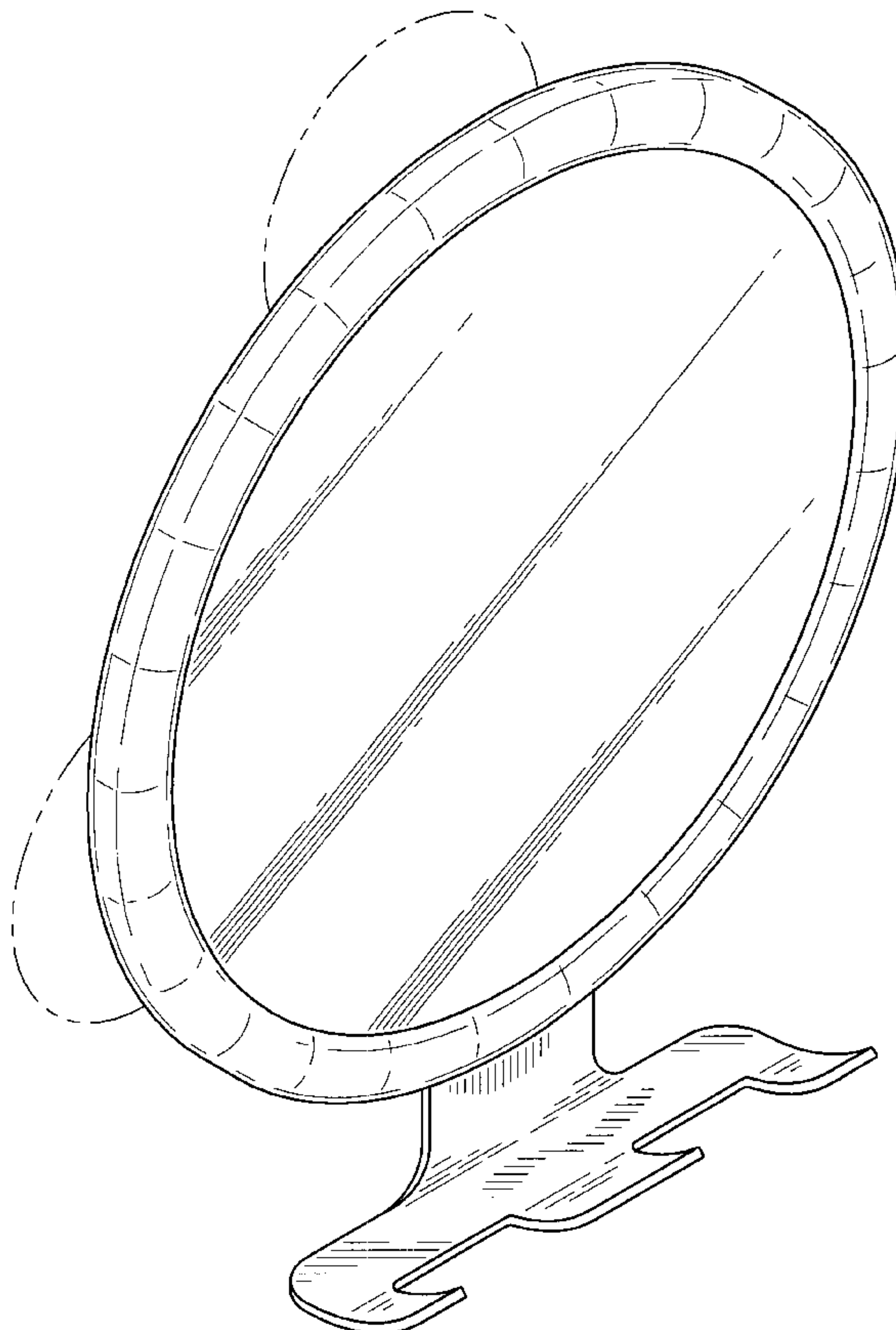
FIG. 5 rear view of the mirror shown in FIG. 1, with phantom views of suction cups for mounting the mirror;

FIG. 6 is a left side elevation view of the mirror shown in FIG. 1, with phantom views of suction cups for mounting the mirror; and,

FIG. 7 is a bottom view of the mirror shown in FIG. 1, with phantom views of suction cups for mounting the mirror.

The broken lines are for environmental purposes only and form no part of the claimed design.

1 Claim, 3 Drawing Sheets



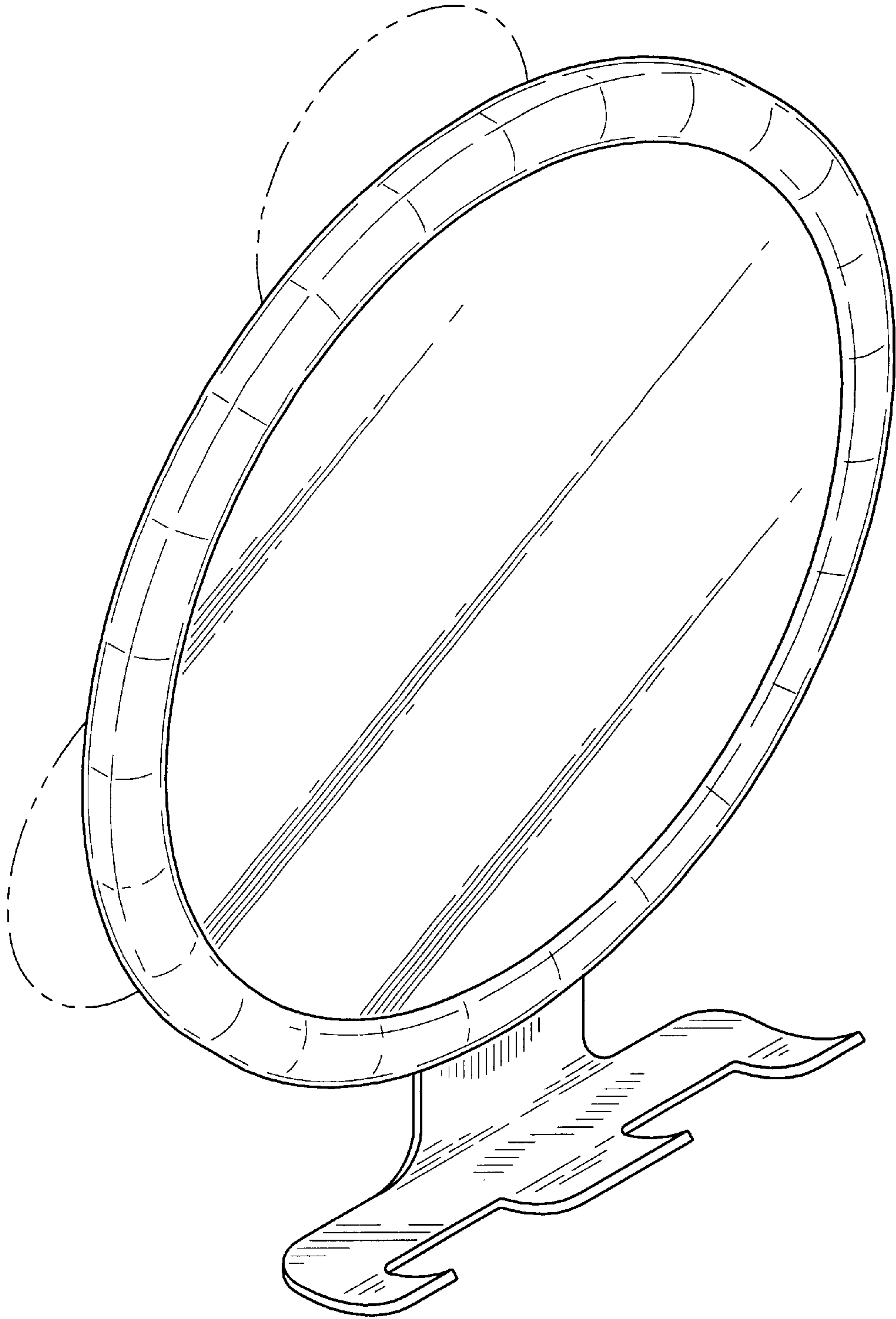


FIG-1

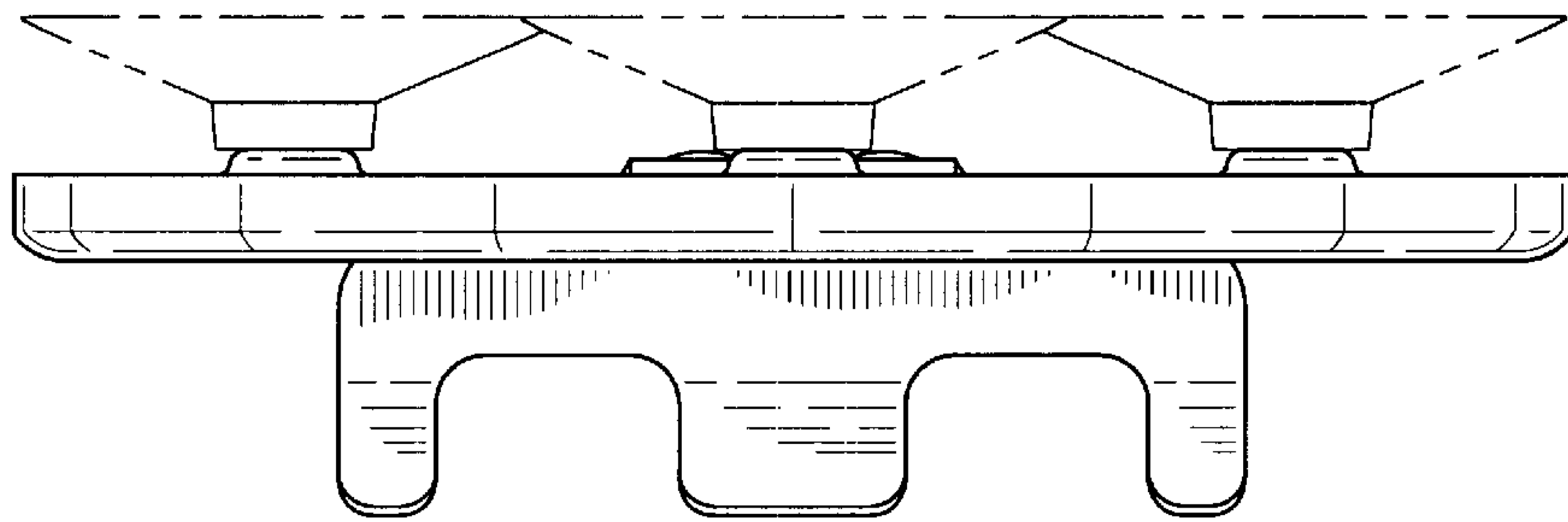


FIG-2

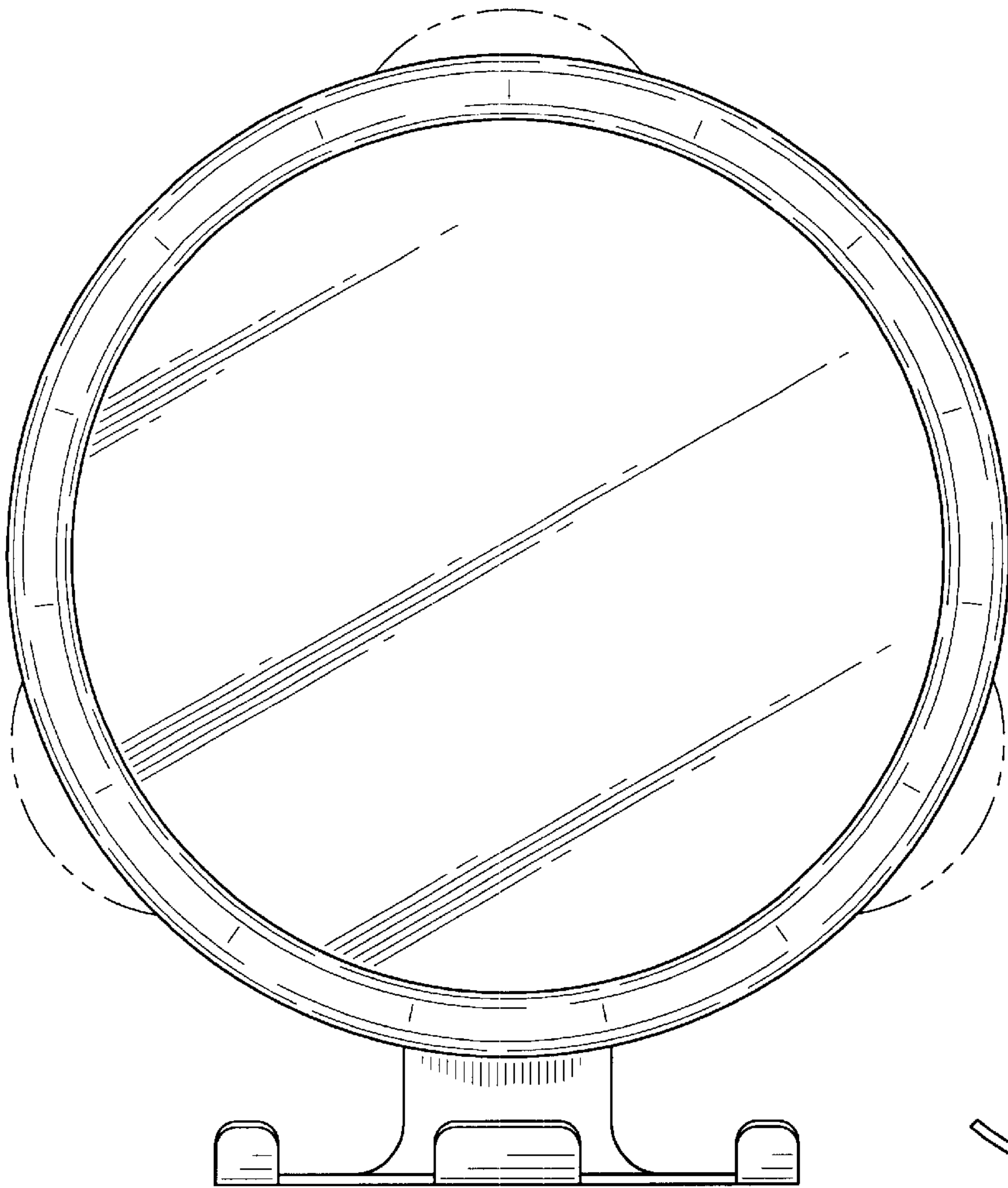


FIG-3

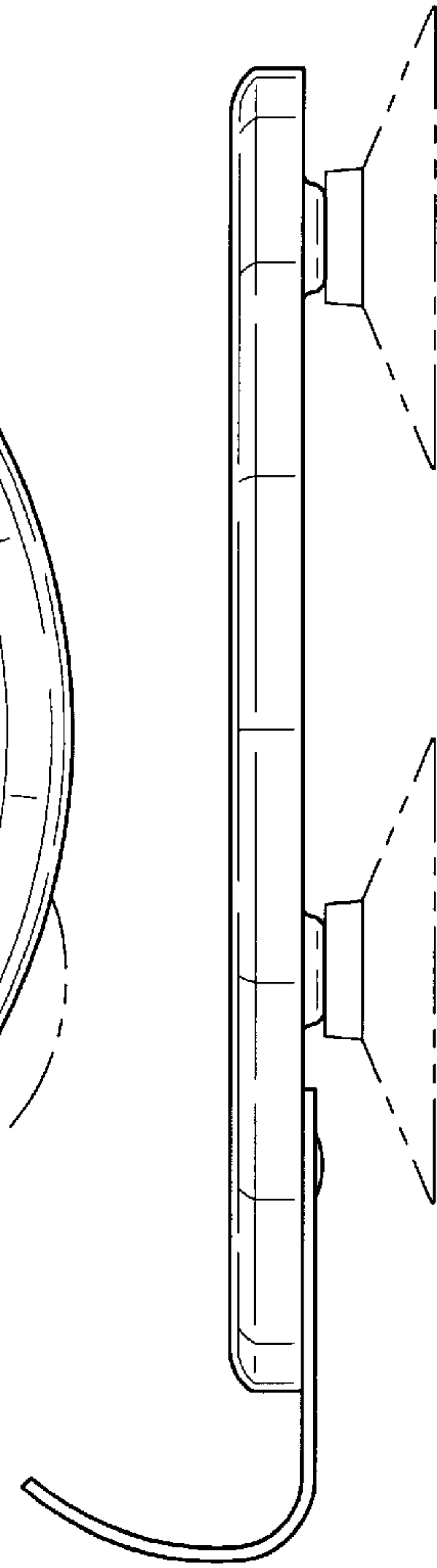


FIG-4

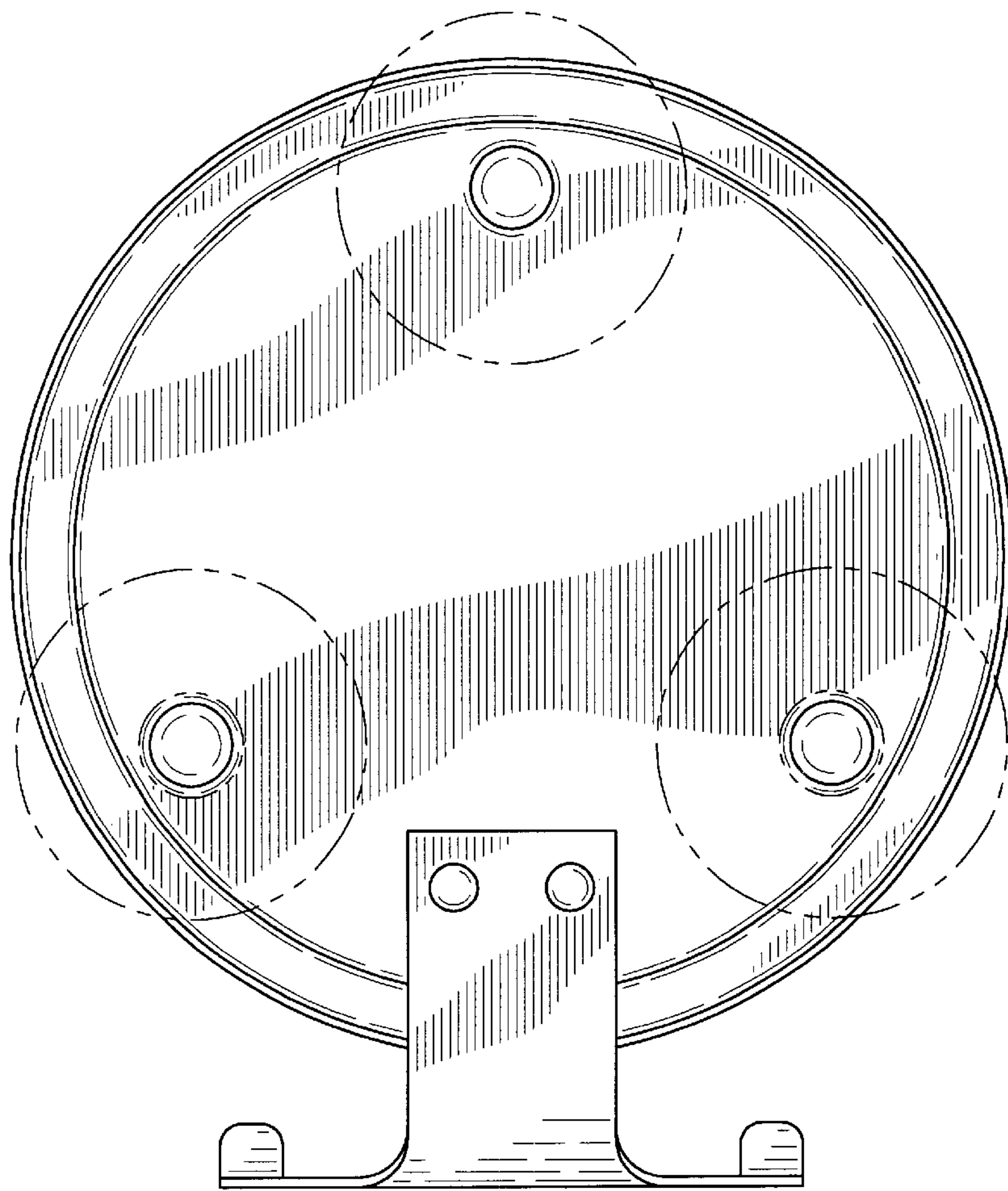


FIG-5

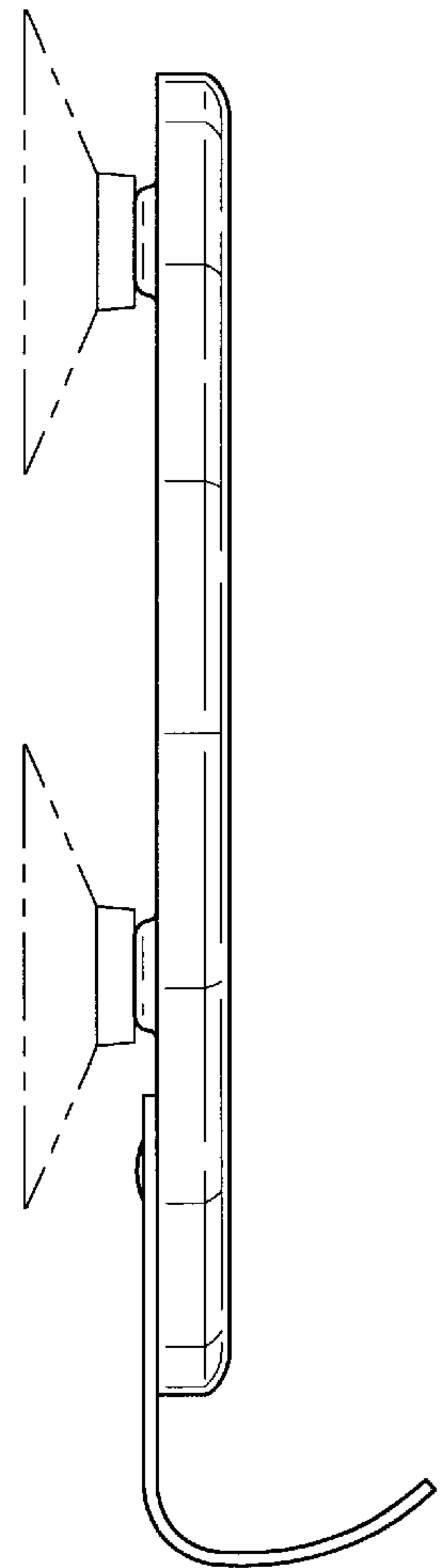


FIG-6

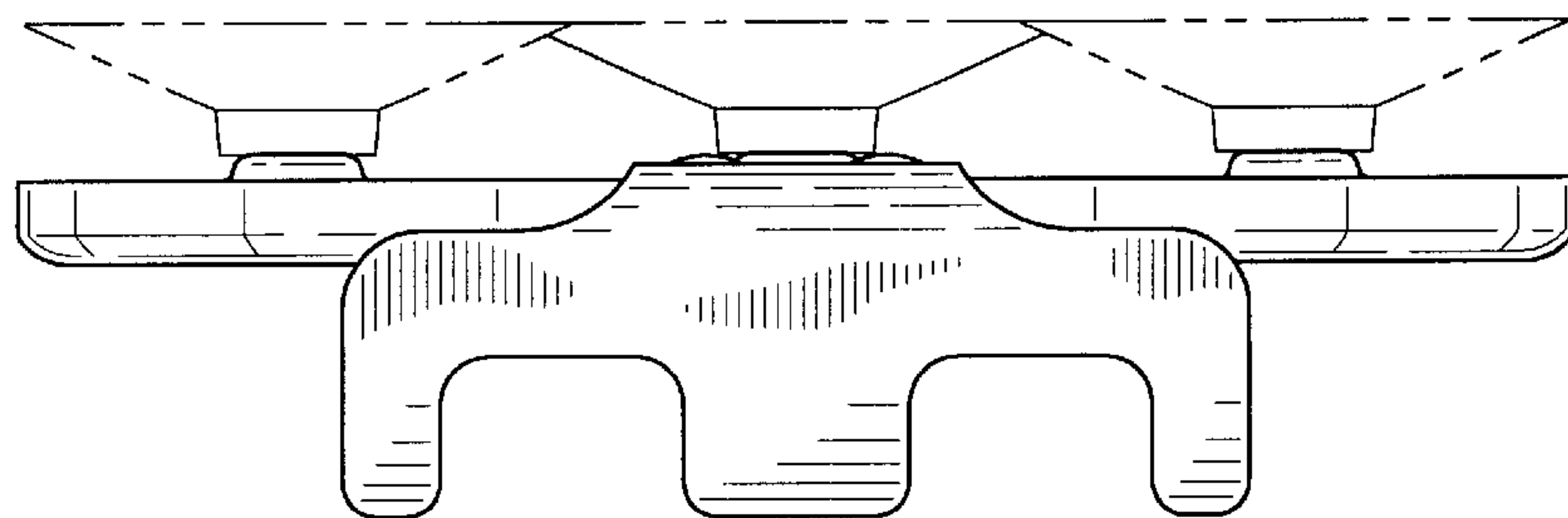


FIG-7