



US00D486958S

(12) **United States Design Patent**
Sauber

(10) **Patent No.:** **US D486,958 S**

(45) **Date of Patent:** **** Feb. 24, 2004**

(54) **SPOOL ORGANIZER**

D333,559 S * 3/1993 Rowley D3/25
D411,344 S * 6/1999 Ovalle D3/24

(75) Inventor: **Charles J. Sauber**, Virgil, IL (US)

* cited by examiner

(73) Assignee: **We Cousins Company**, Virgil, IL (US)

Primary Examiner—Louis S. Zarfes

(**) Term: **14 Years**

Assistant Examiner—Robert A. Delehanty

(21) Appl. No.: **29/173,449**

(74) *Attorney, Agent, or Firm*—McAndrews, Held & Malloy, Ltd.

(22) Filed: **Dec. 30, 2002**

(57) **CLAIM**

Related U.S. Application Data

The ornamental design for the spool organizer, as shown and described.

(62) Division of application No. 29/159,608, filed on Apr. 24, 2002.

DESCRIPTION

(51) **LOC (7) Cl.** **02-07**

FIG. 1 is a right side elevational view of the spool organizer without spools in a retracted or stored position, according to an embodiment of the present invention.

(52) **U.S. Cl.** **D3/25**

FIG. 2 is a right side elevational view of the spool organizer without spools in an extended position, according to an embodiment of the present invention.

(58) **Field of Search** D3/18, 20-21,
D3/23-26; 112/257, 258, 260; D9/303;
312/208.5, 208.6; D15/66, 72, 78; D6/409,
411, 463, 467-468; 223/106, 108, 120;
248/124.1, 124.2, 150; 242/139; 211/85.5,
44, 59.1

FIG. 3 is a front elevational view of the spool organizer without spools, according to an embodiment of the present invention; and,

(56) **References Cited**

FIG. 4 is an isometric view of the spool organizer without spools in an extended position, according to an embodiment of the present invention.

U.S. PATENT DOCUMENTS

The left side elevational view of the spool organizer without spools in a retracted or stored position is a mirror image of the right side elevational view of FIG. 1.

- 584,811 A * 6/1897 Caldwell 211/44 X
- 680,450 A * 8/1901 Aiken 211/44
- 871,198 A * 11/1907 Aiken 211/44
- D93,378 S * 9/1934 Barone D3/25
- D205,329 S * 7/1966 Kasher D6/463 X
- D272,954 S * 3/1984 Sparks D6/467 X
- D326,570 S * 6/1992 Heilman D6/411 X

The left side elevational view of the spool organizer without spools in an extended position is a mirror image of the right elevational view of FIG. 2.

1 Claim, 3 Drawing Sheets

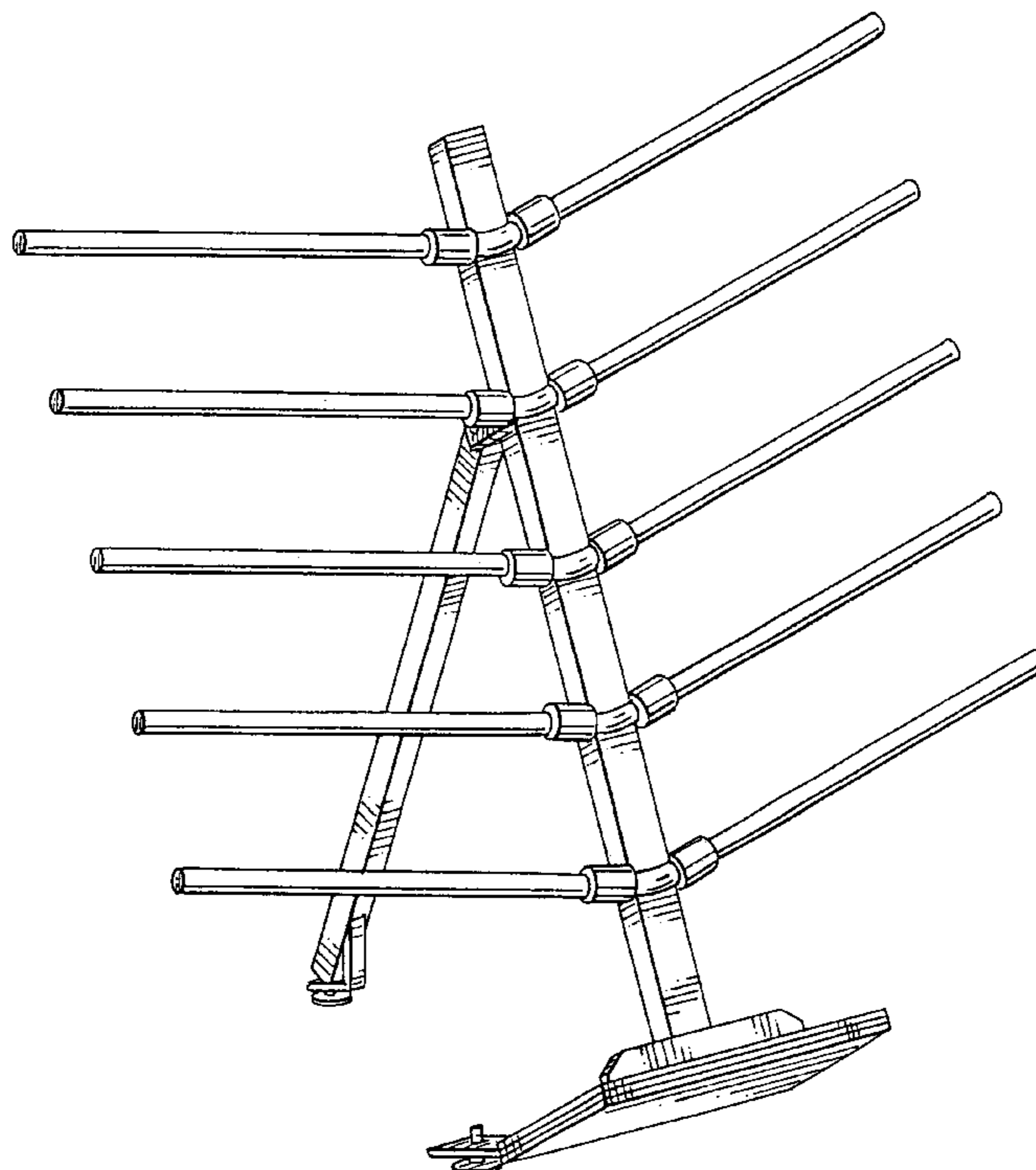


FIG. 1

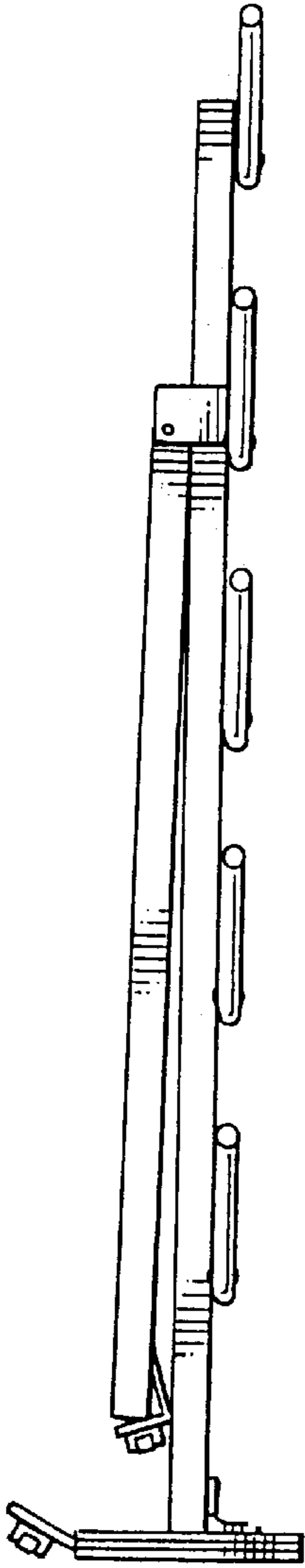


FIG. 2

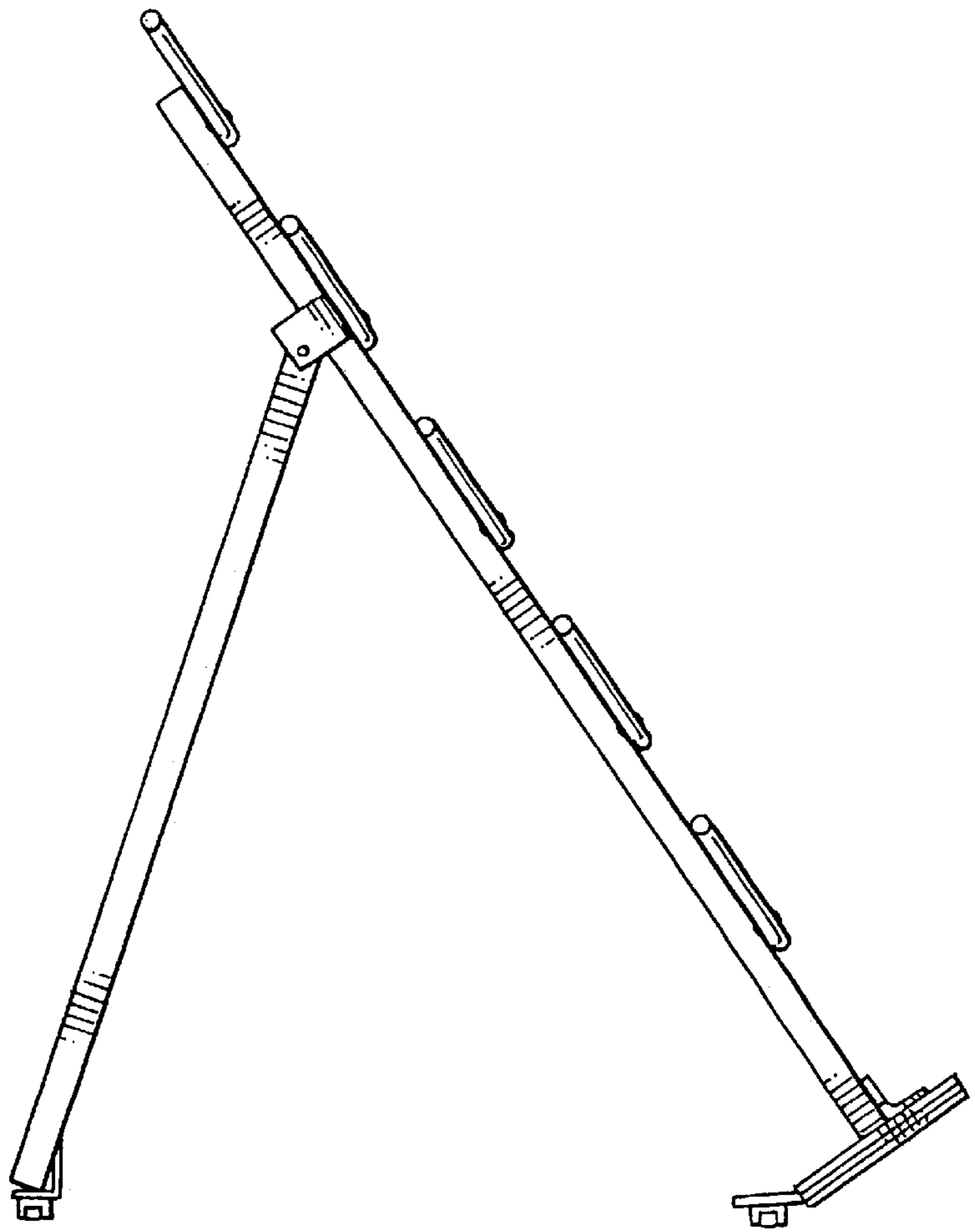


FIG. 3

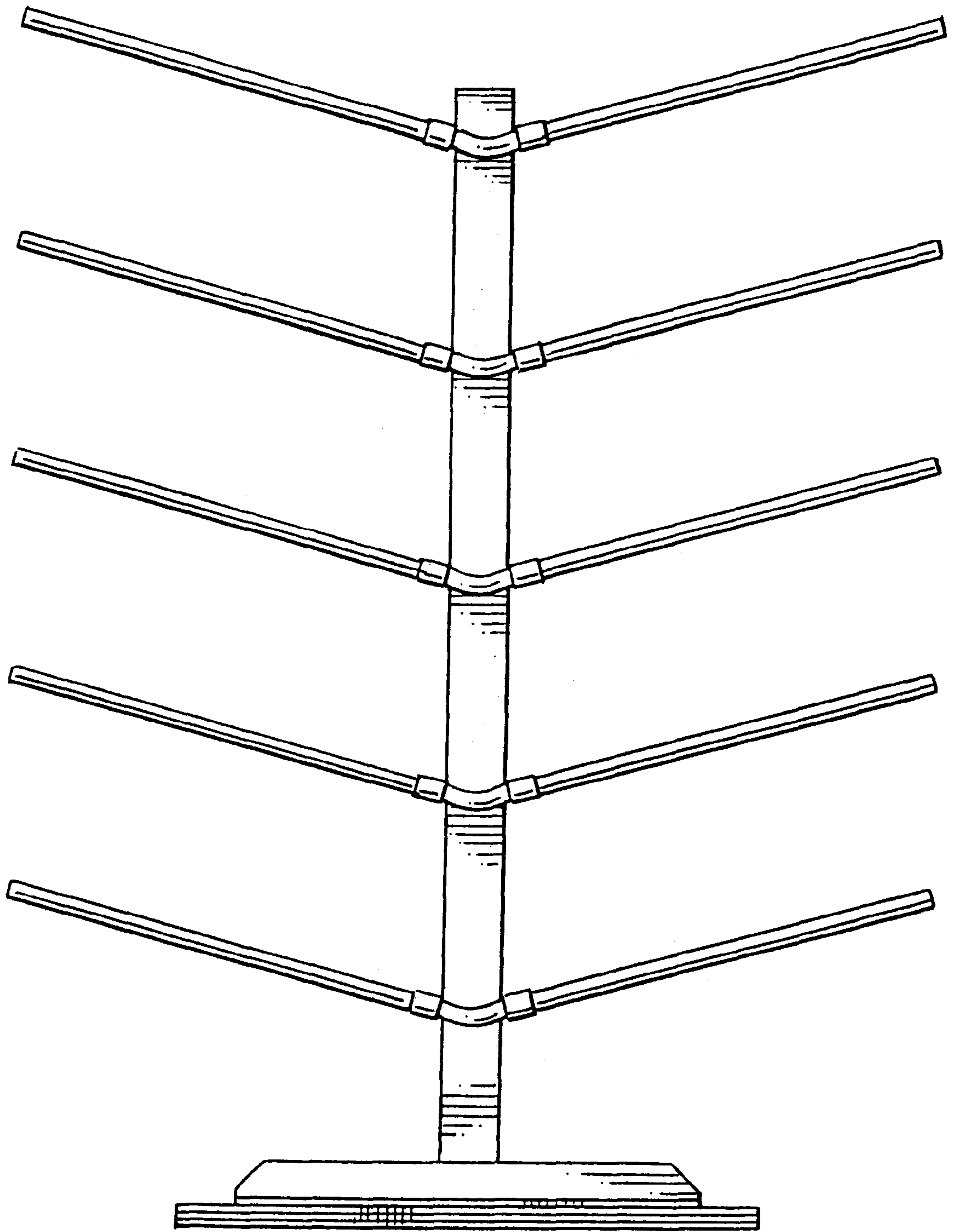


FIG. 4

