



US00D486954S

(12) **United States Design Patent**
Mori

(10) **Patent No.:** **US D486,954 S**

(45) **Date of Patent:** **** Feb. 24, 2004**

(54) **WAISTBAND OF PANTS**

Primary Examiner—Doris Clark

(76) **Inventor:** **Syuji Mori**, 98-12 Aoki, Inamachi,
Tsukuba-gun, Ibaraki-ken (JP),
300-2346

(57) **CLAIM**

The ornamental design for a waistband of pants, as shown and described.

(**) **Term:** **14 Years**

DESCRIPTION

(21) **Appl. No.:** **29/153,231**

FIG. 1 is a top view of a waistband of pants showing my new design;

(22) **Filed:** **Jan. 8, 2002**

FIG. 2 is a rear view thereof;

(51) **LOC (7) Cl.** **02-02**

FIG. 3 is a side view thereof;

(52) **U.S. Cl.** **D2/742**

FIG. 4 is a front view thereof;

(58) **Field of Search** D2/712, 742, 79,
D2/716, 743, 744; 2/79

FIG. 5 is a bottom view thereof; and,

FIG. 6 is a front view with the waistband shown open thereof.

(56) **References Cited**

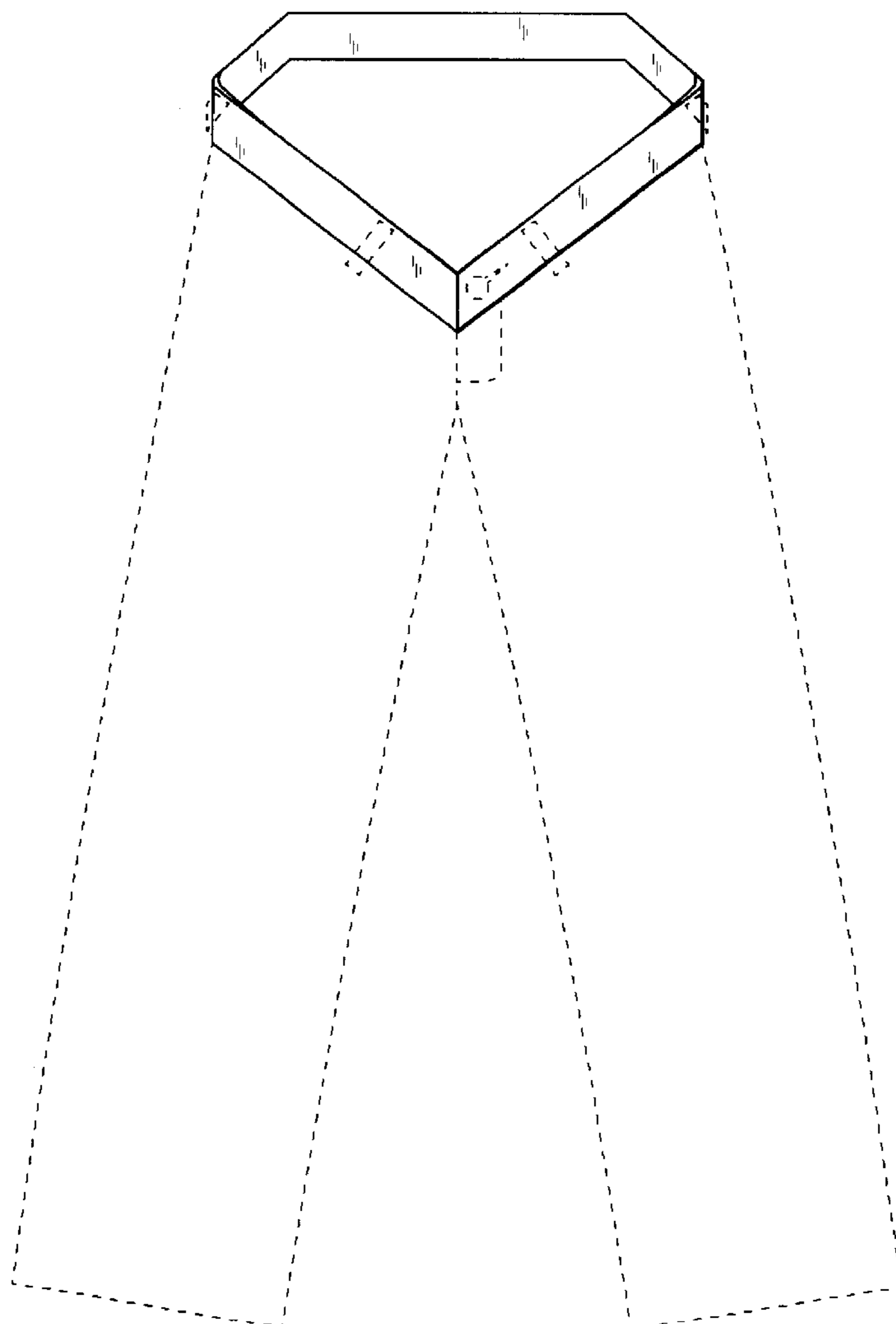
The pants are shown in broken lines for illustrative purposes only and form no part of the claimed design.

U.S. PATENT DOCUMENTS

D295,915 S * 5/1988 Baptiste D2/742

* cited by examiner

1 Claim, 2 Drawing Sheets



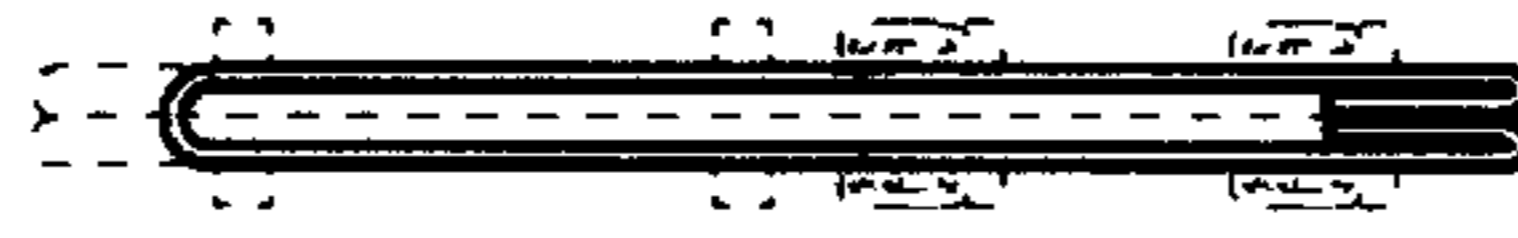


FIG. 1

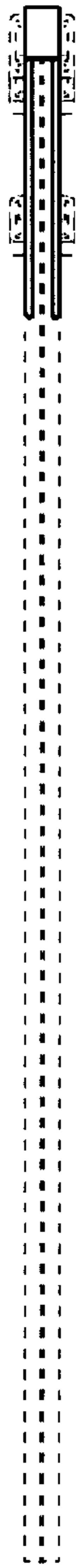


FIG. 2

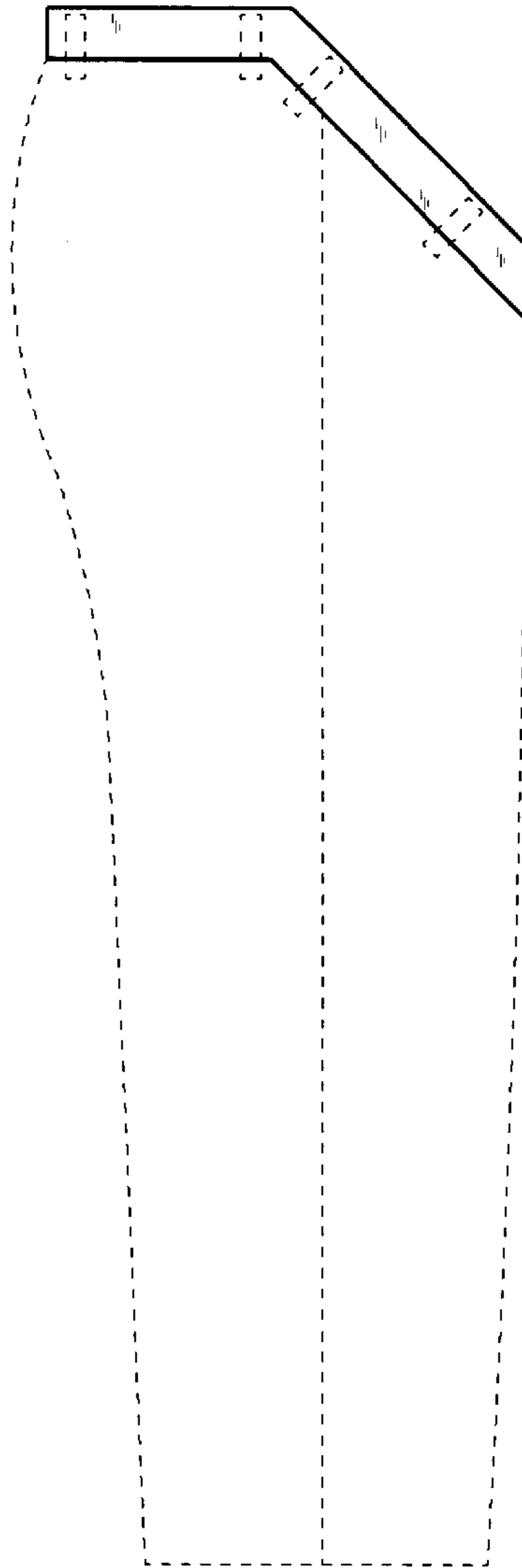


FIG. 3

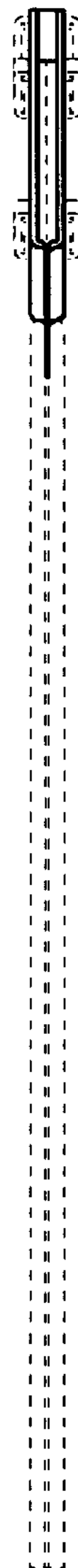


FIG. 4

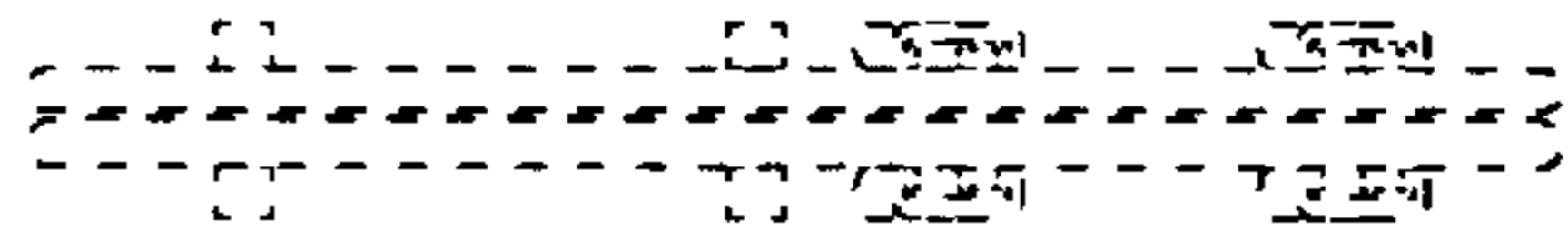


FIG. 5

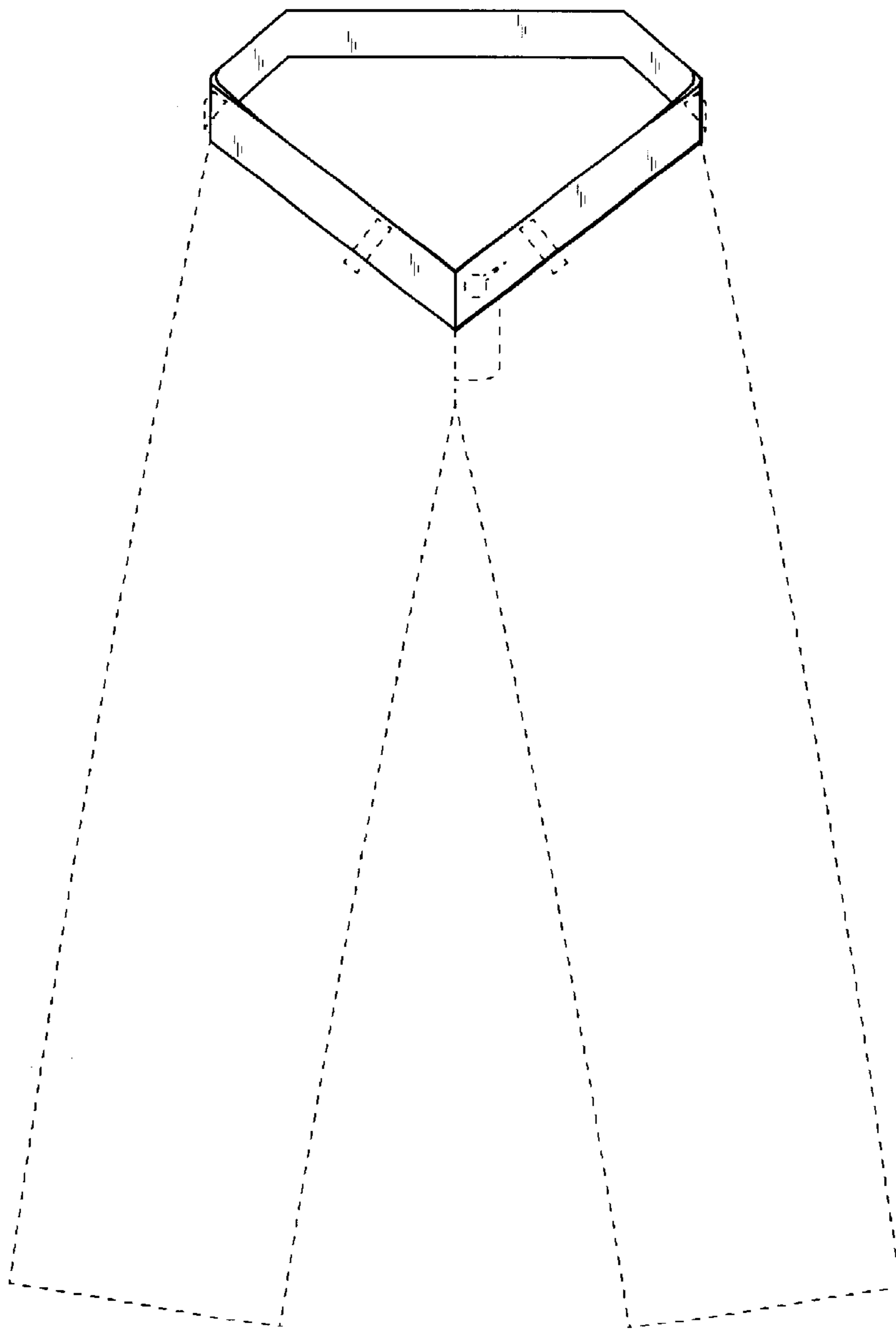


FIG. 6