



US00D486949S

(12) **United States Design Patent**  
**Hall et al.**

(10) **Patent No.:** **US D486,949 S**

(45) **Date of Patent:** **\*\* Feb. 17, 2004**

(54) **CRADLE FOR CLEANING FLUID RESERVOIR**

D396,908 S \* 8/1998 Beechuk et al. .... D32/45  
5,888,006 A 3/1999 Ping et al.  
D425,274 S 5/2000 Kunkler  
6,321,941 B1 \* 11/2001 Argentieri et al.

(75) Inventors: **Michael J. Hall**, South San Francisco, CA (US); **James E. Rader**, Pleasanton, CA (US); **Karen S. Hefter**, San Ramon, CA (US); **Douglas Minkler**, Livermore, CA (US); **Robert W. Flagler**, Pleasanton, CA (US); **David J. Saylor**, Portland, OR (US); **Eric Y. Park**, Portland, OR (US)

\* cited by examiner

*Primary Examiner*—Alan P. Douglas  
*Assistant Examiner*—Lavone D. Tabor  
(74) *Attorney, Agent, or Firm*—Ray K. Shahani, Esq.; Joel J. Hayashida, Esq.; Mike Mazza, Esq.

(73) Assignee: **The Clorox Company**, Oakland, CA (US)

(57) **CLAIM**

We claim the ornamental design for a cradle for cleaning fluid reservoir, as shown and described.

(\*\*) Term: **14 Years**

**DESCRIPTION**

(21) Appl. No.: **29/140,154**

FIG. 1 is a perspective view as seen from the front, and left side of the cradle for a cleaning fluid reservoir showing our new design;

(22) Filed: **Apr. 11, 2001**

FIG. 2 is a perspective front, and right side view thereof; and,

**Related U.S. Application Data**

(63) Continuation-in-part of application No. 09/689,433, filed on Oct. 11, 2000, now Pat. No. 6,540,424.

FIG. 3 is a perspective front, and left side view thereof (unclaimed cleaning system structure being shown in broken lines).

(51) **LOC (7) Cl.** ..... **04-01**

(52) **U.S. Cl.** ..... **D32/45**

(58) **Field of Search** ..... D32/25, 30, 35, D32/45; 15/246; 401/138, 140

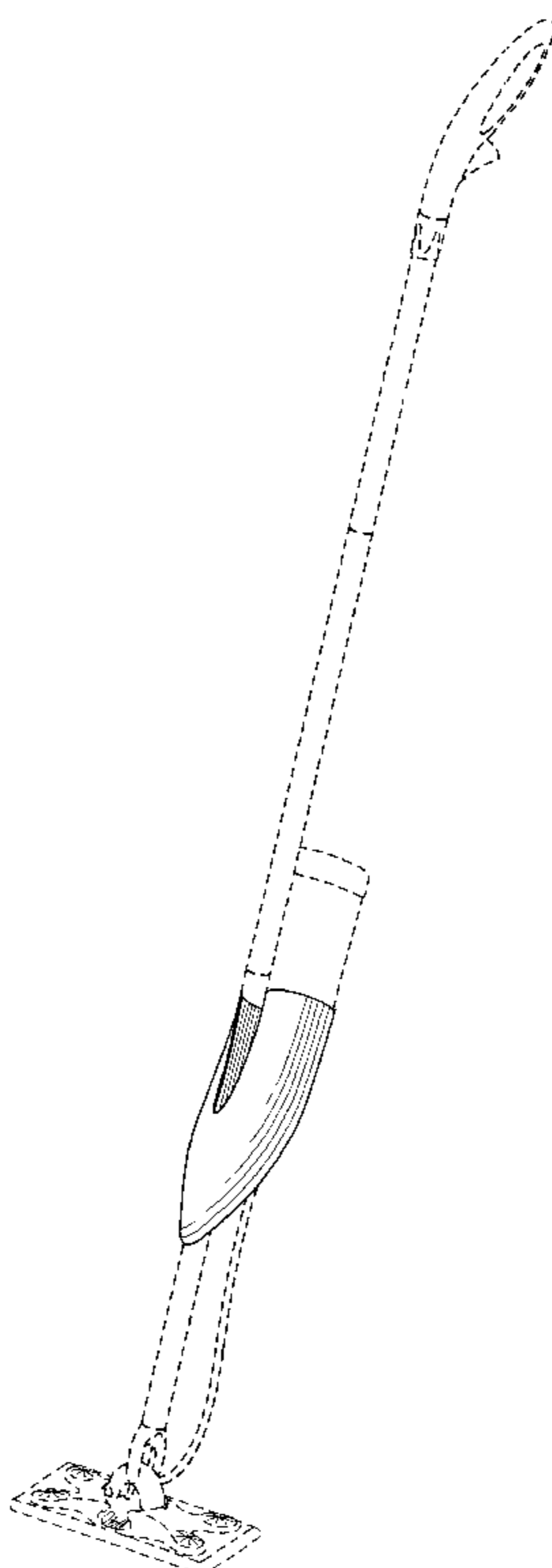
The broken lines showing cleaning system environmental structure are for illustrative purposes only and form no part of the claimed design.

(56) **References Cited**

**U.S. PATENT DOCUMENTS**

1,715,632 A \* 6/1929 Wertheimer ..... 401/138

**1 Claim, 3 Drawing Sheets**



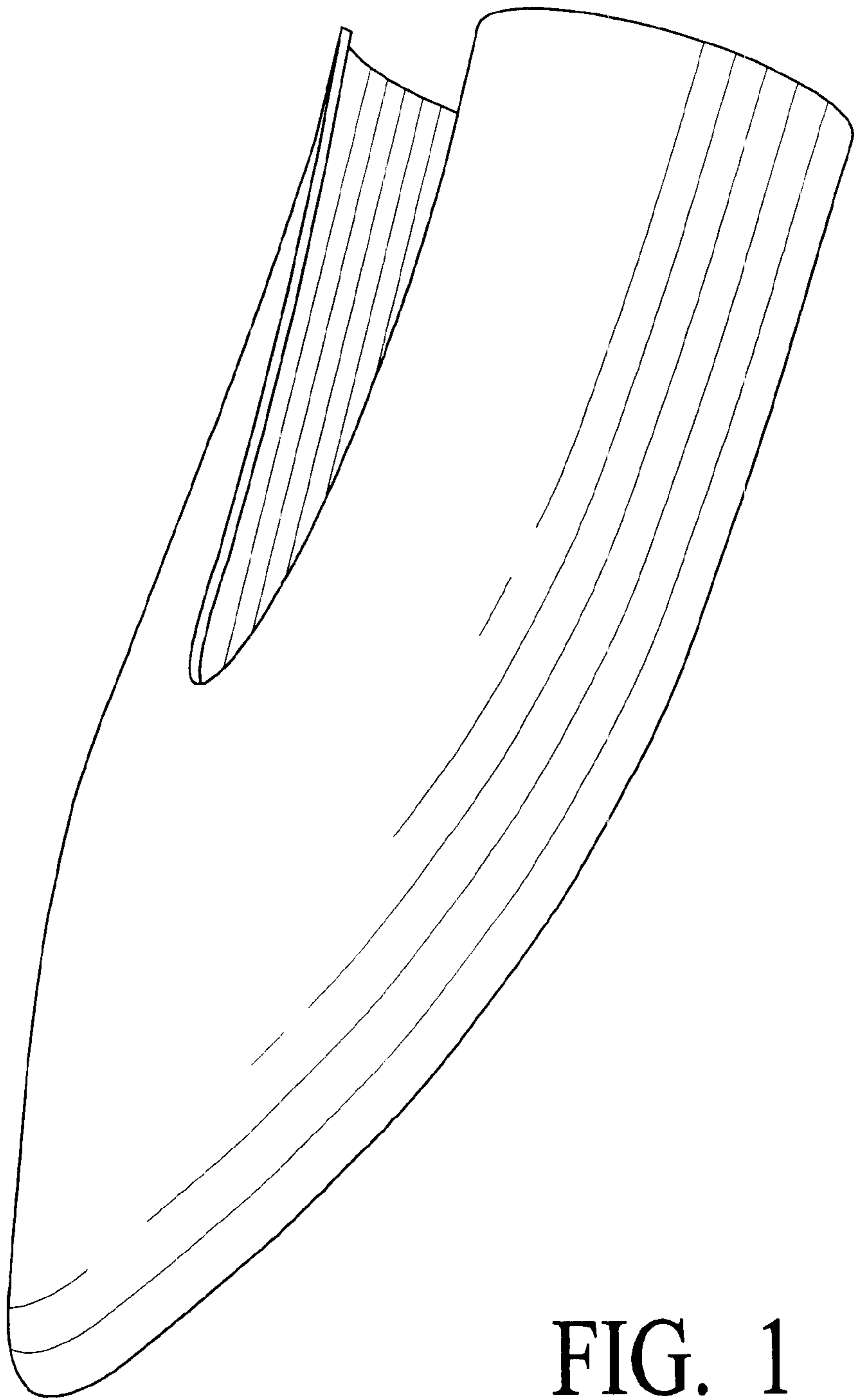


FIG. 1

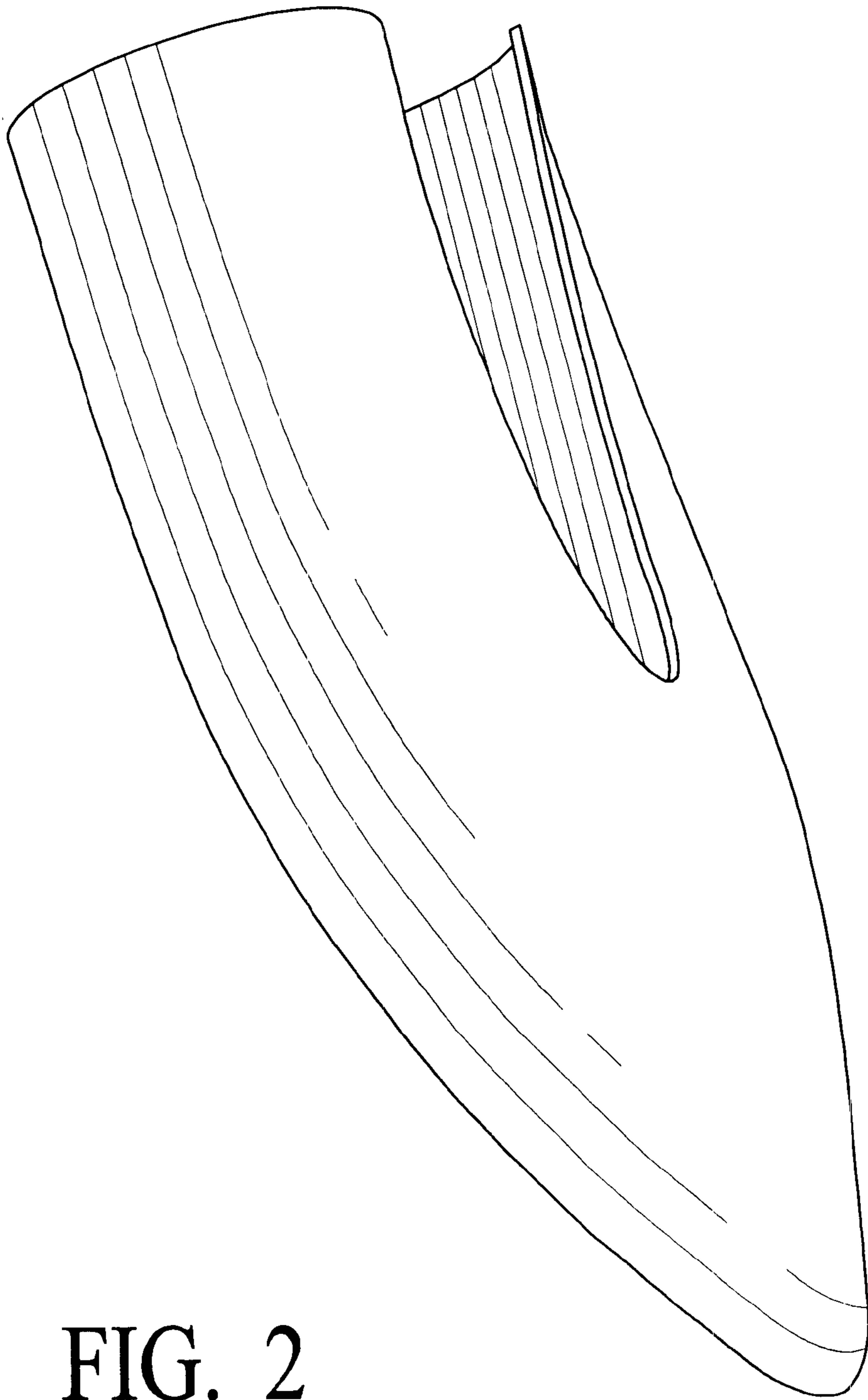


FIG. 2

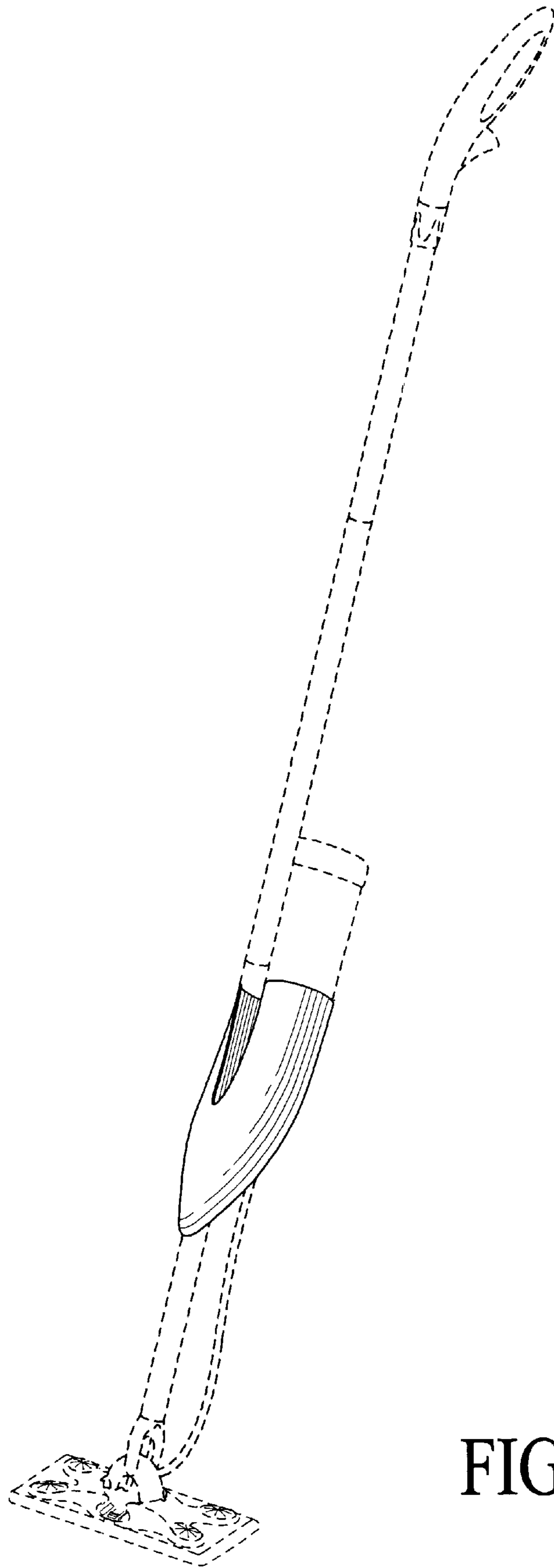


FIG. 3