



US00D486948S

(12) **United States Design Patent**  
**Speed**

(10) **Patent No.:** **US D486,948 S**

(45) **Date of Patent:** **\*\* Feb. 17, 2004**

(54) **PET GROOMING DEVICE**

(76) **Inventor:** **Horace Speed**, 14001-C Saint Germain Dr., Centerville, VA (US) 20121

(\*\*) **Term:** **14 Years**

(21) **Appl. No.:** **29/174,465**

(22) **Filed:** **Jan. 17, 2003**

(51) **LOC (7) Cl.** ..... **30-99**

(52) **U.S. Cl.** ..... **D30/158; D30/160**

(58) **Field of Search** ..... **D30/158, 160; D21/611, 552; 119/702, 707, 619, 600, 606, 611-613, 615, 616, 626, 621, 622**

(56) **References Cited**

**U.S. PATENT DOCUMENTS**

- 5,415,132 A \* 5/1995 Meyer ..... 119/707
- D467,688 S \* 12/2002 Yamazaki ..... D30/160
- D467,983 S \* 12/2002 Yamazaki ..... D21/611

\* cited by examiner

*Primary Examiner*—Pamela Burgess  
(74) *Attorney, Agent, or Firm*—Milord & Associates, P.C.;  
Milord A. Keshishian, Esq.

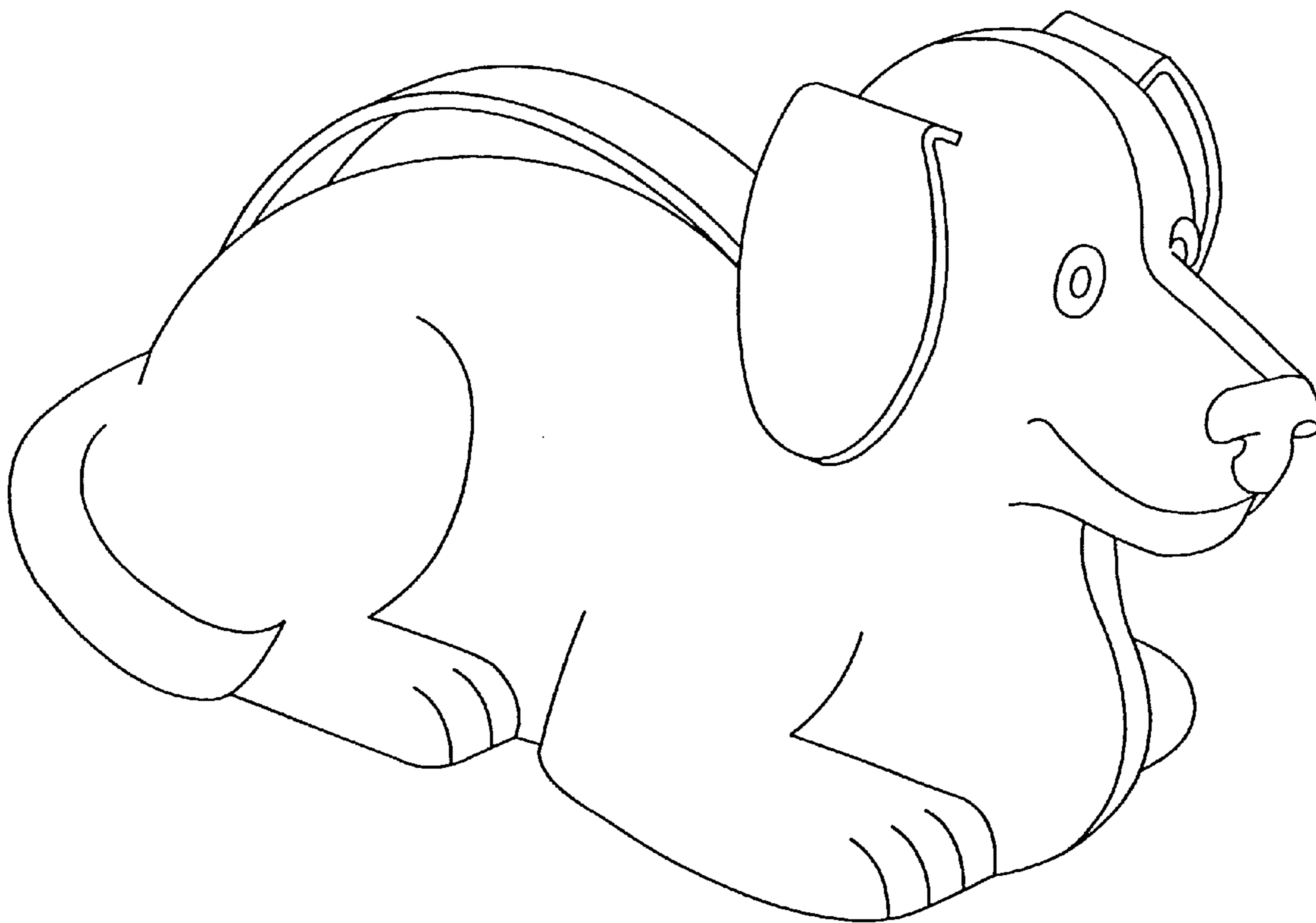
(57) **CLAIM**

The ornamental design for pet grooming device, as shown and described.

**DESCRIPTION**

FIG. 1 is a side perspective view of a pet grooming device; FIG. 2 is a front elevational view of a pet grooming device; FIG. 3 is a rear elevational view of a pet grooming device; FIG. 4 is a right hand side view of a pet grooming device; FIG. 5 is a left hand side view of a pet grooming device; FIG. 6 is a top view of a pet grooming device; and, FIG. 7 is a bottom view of a pet grooming device.

**1 Claim, 4 Drawing Sheets**



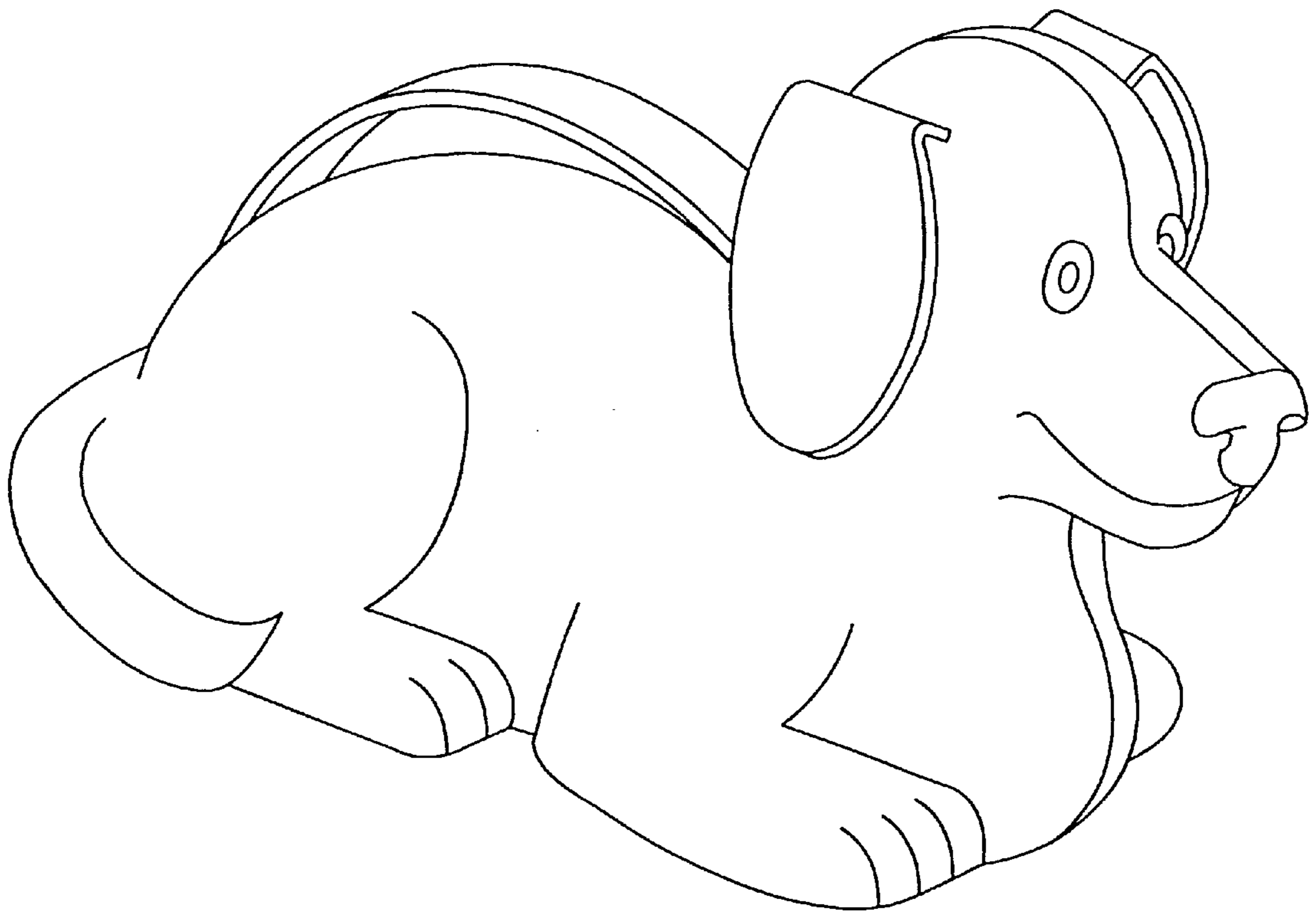


FIG. 1

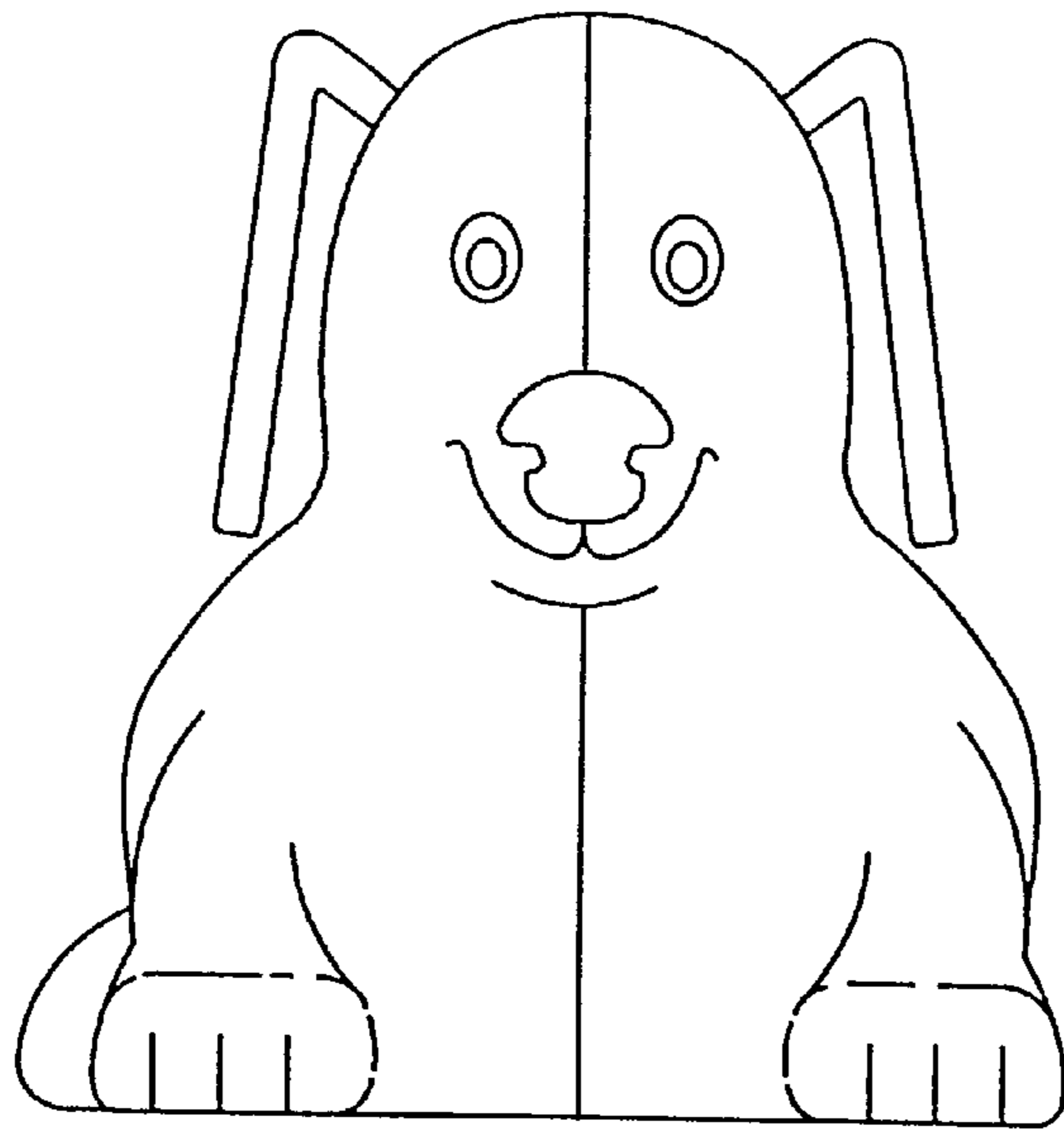


FIG. 2

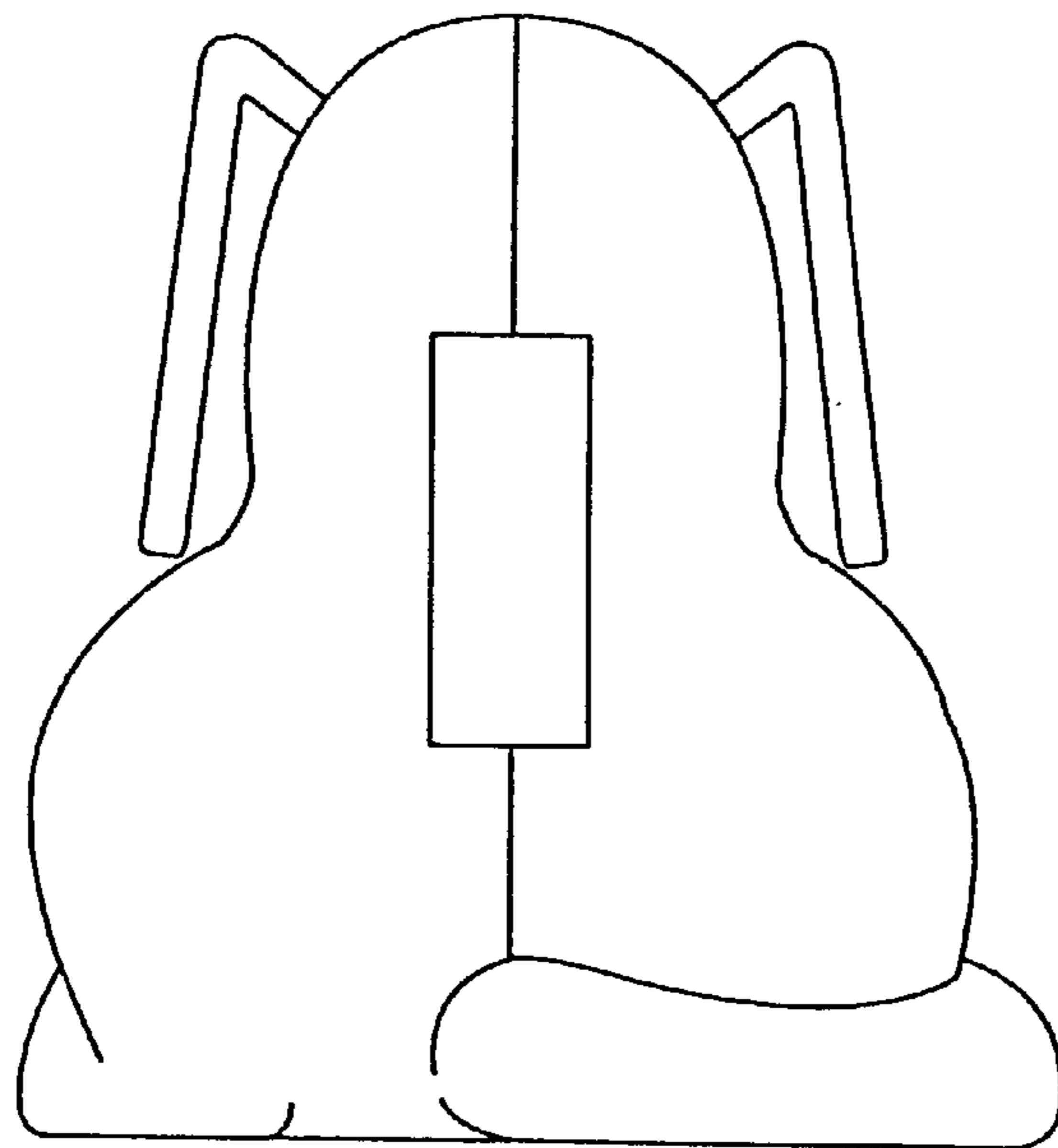


FIG. 3

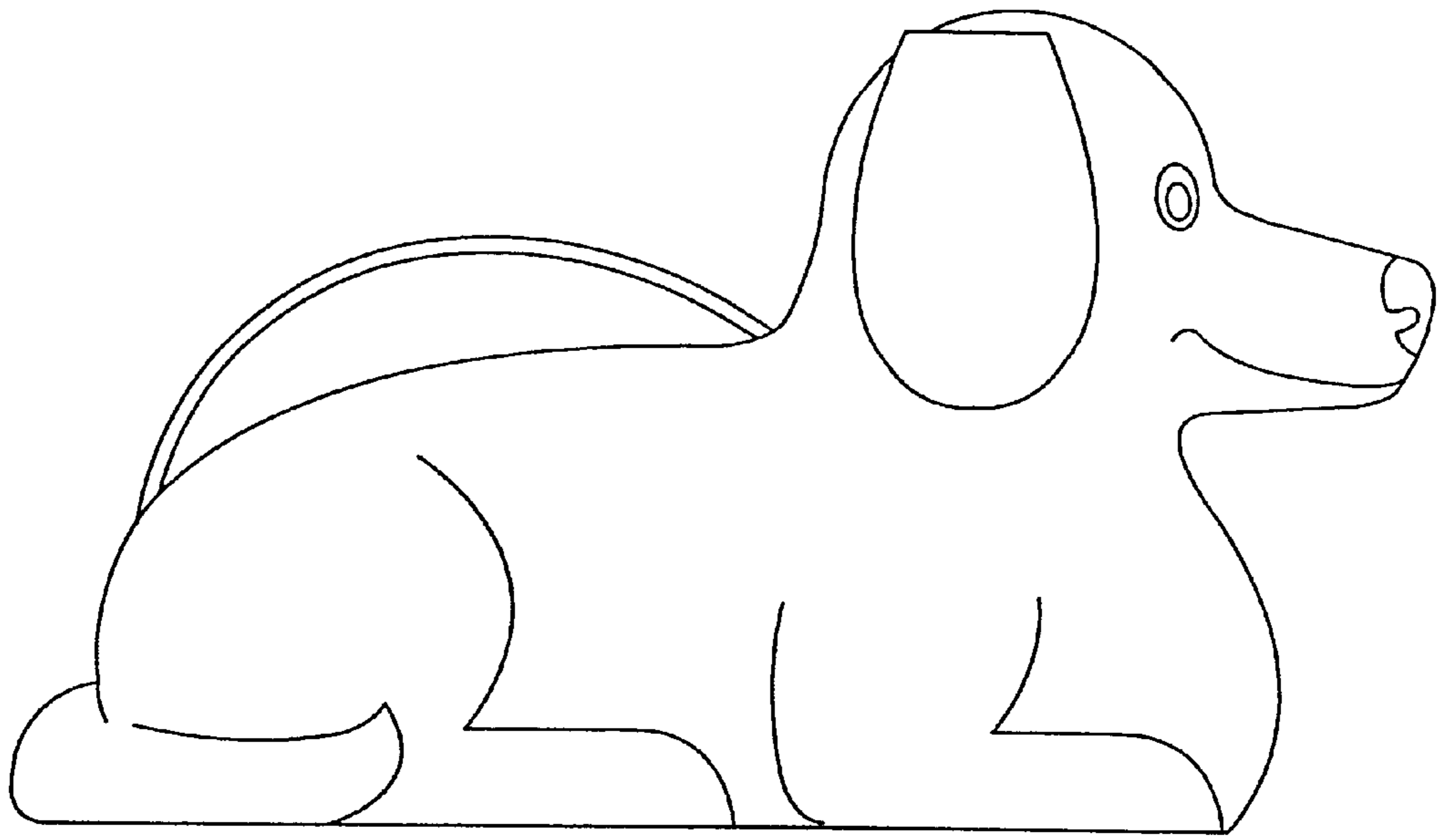


FIG. 4

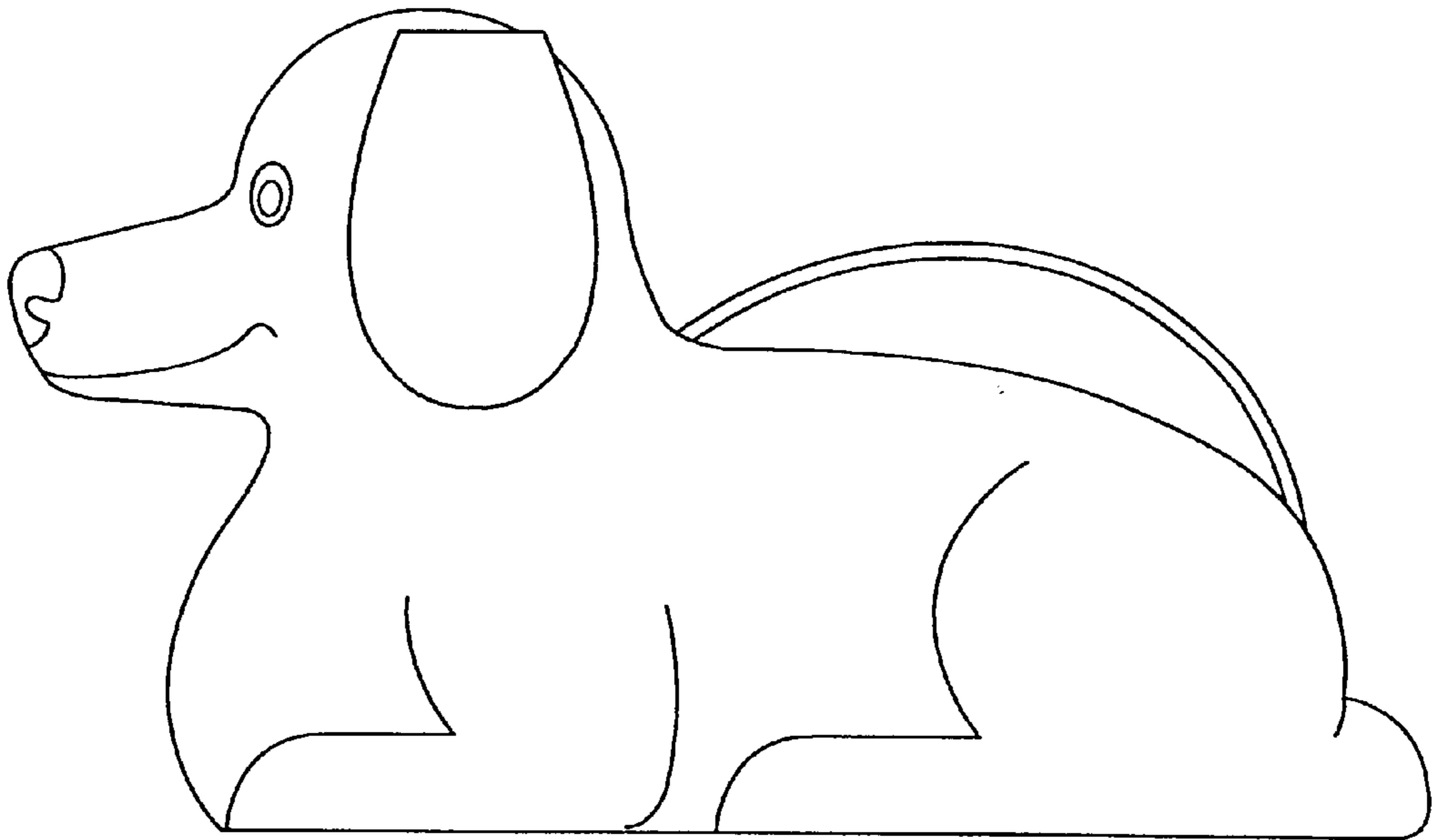


FIG. 5

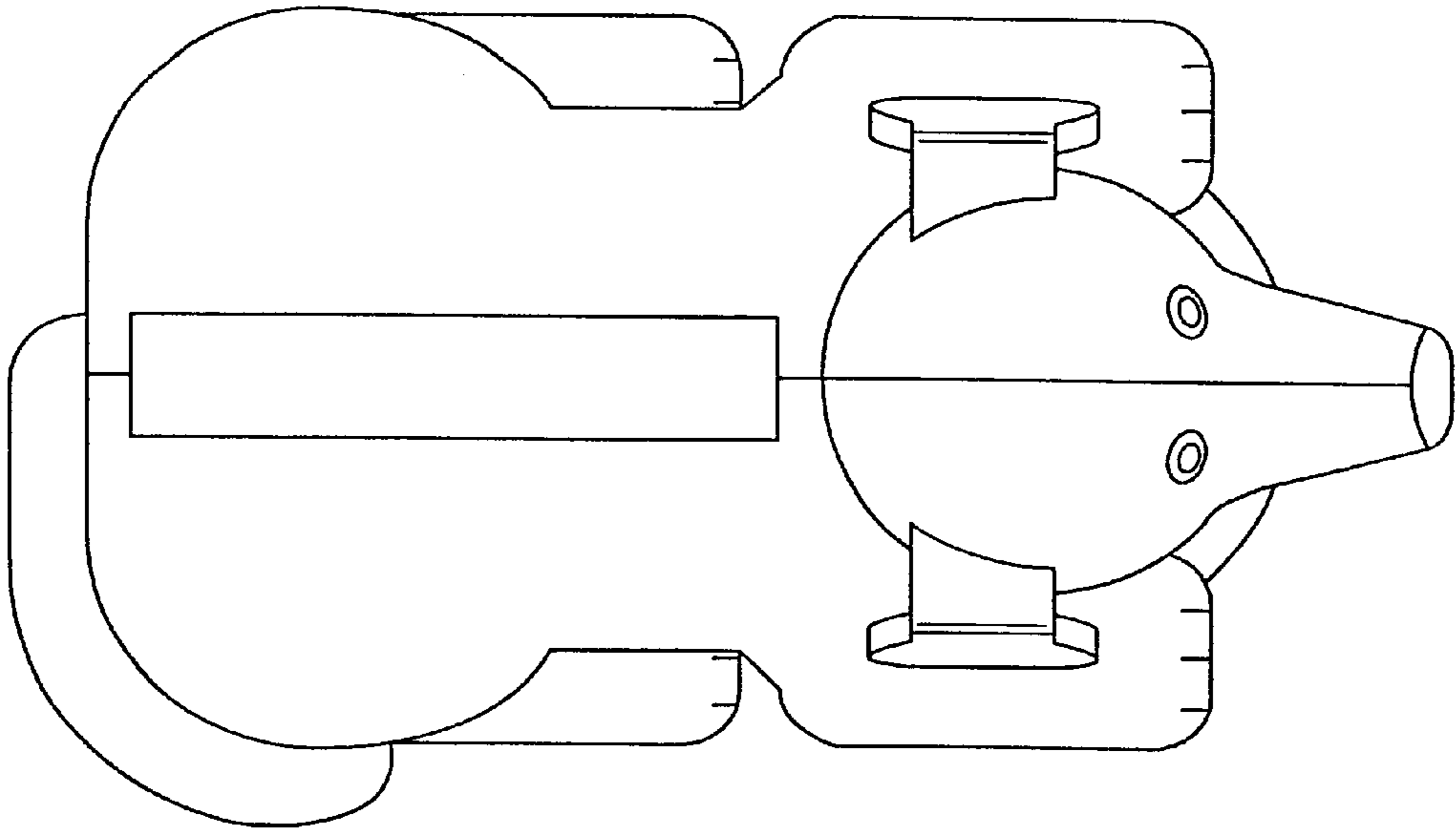


FIG. 6

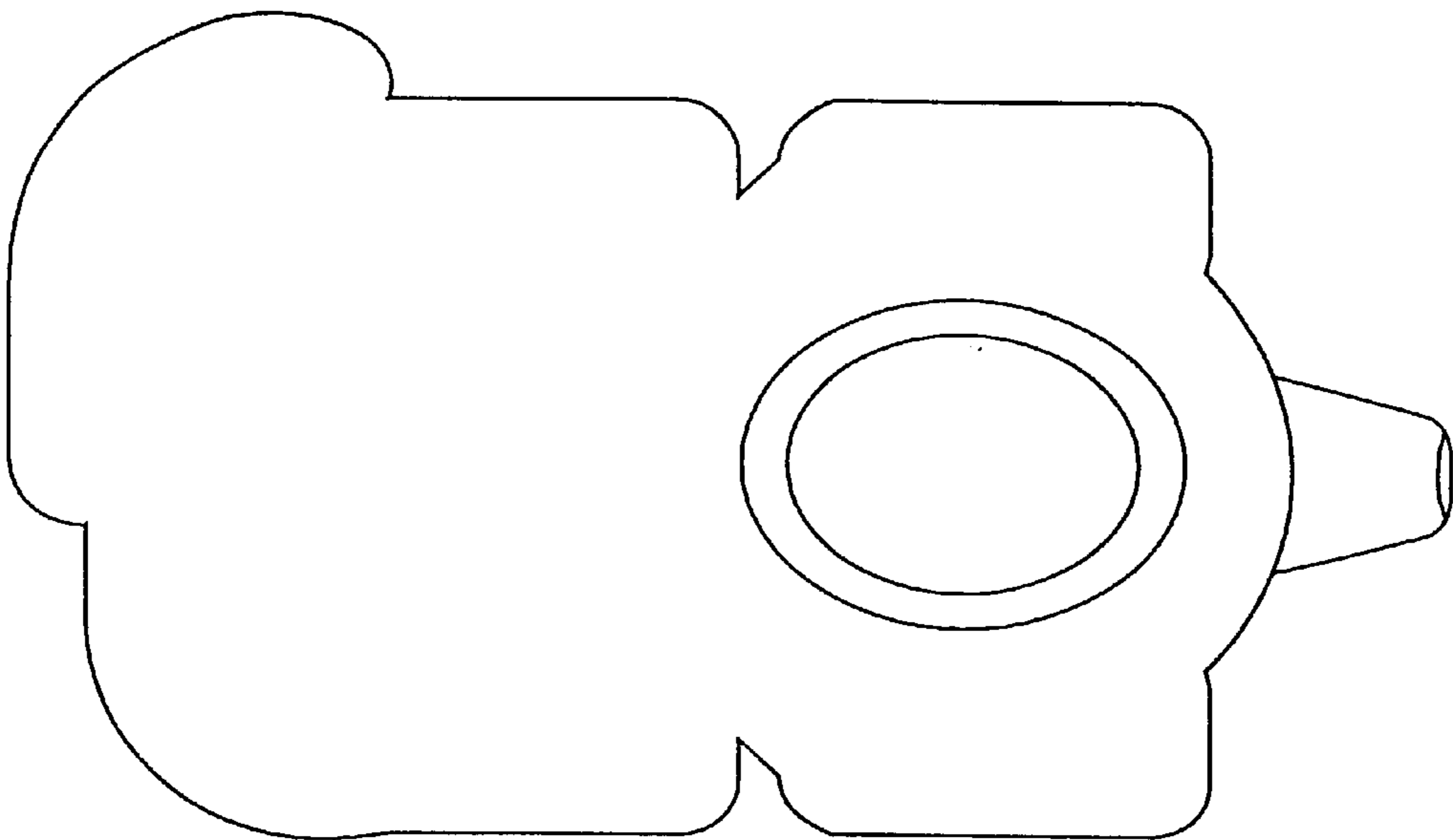


FIG. 7