



US00D486947S

(12) **United States Design Patent**
Shedd

(10) **Patent No.:** **US D486,947 S**

(45) **Date of Patent:** **** Feb. 17, 2004**

(54) **ROTATABLE PET ANCHOR**

Primary Examiner—Lisa Lichtenstein

(76) **Inventor:** **Danny W. Shedd**, 702 Edmondson Rd.
Northeast, Hanceville, AL (US) 35077

(57) **CLAIM**

(**) **Term:** **14 Years**

The ornamental design for a rotatable pet anchor, as shown and described.

(21) **Appl. No.:** **29/178,919**

DESCRIPTION

(22) **Filed:** **Apr. 3, 2003**

(51) **LOC (7) Cl.** **30-09**

FIG. 1 is a side view of a rotatable pet anchor showing my new design.

(52) **U.S. Cl.** **D30/154**

FIG. 2 is another side view of the rotatable pet anchor.

(58) **Field of Search** D30/154, 158,
D30/160, 153; 119/707-712, 791, 786-788,
796, 769

FIG. 3 is a top view of the rotatable pet anchor; and,

FIG. 4 is a bottom view of the rotatable pet anchor.

(56) **References Cited**

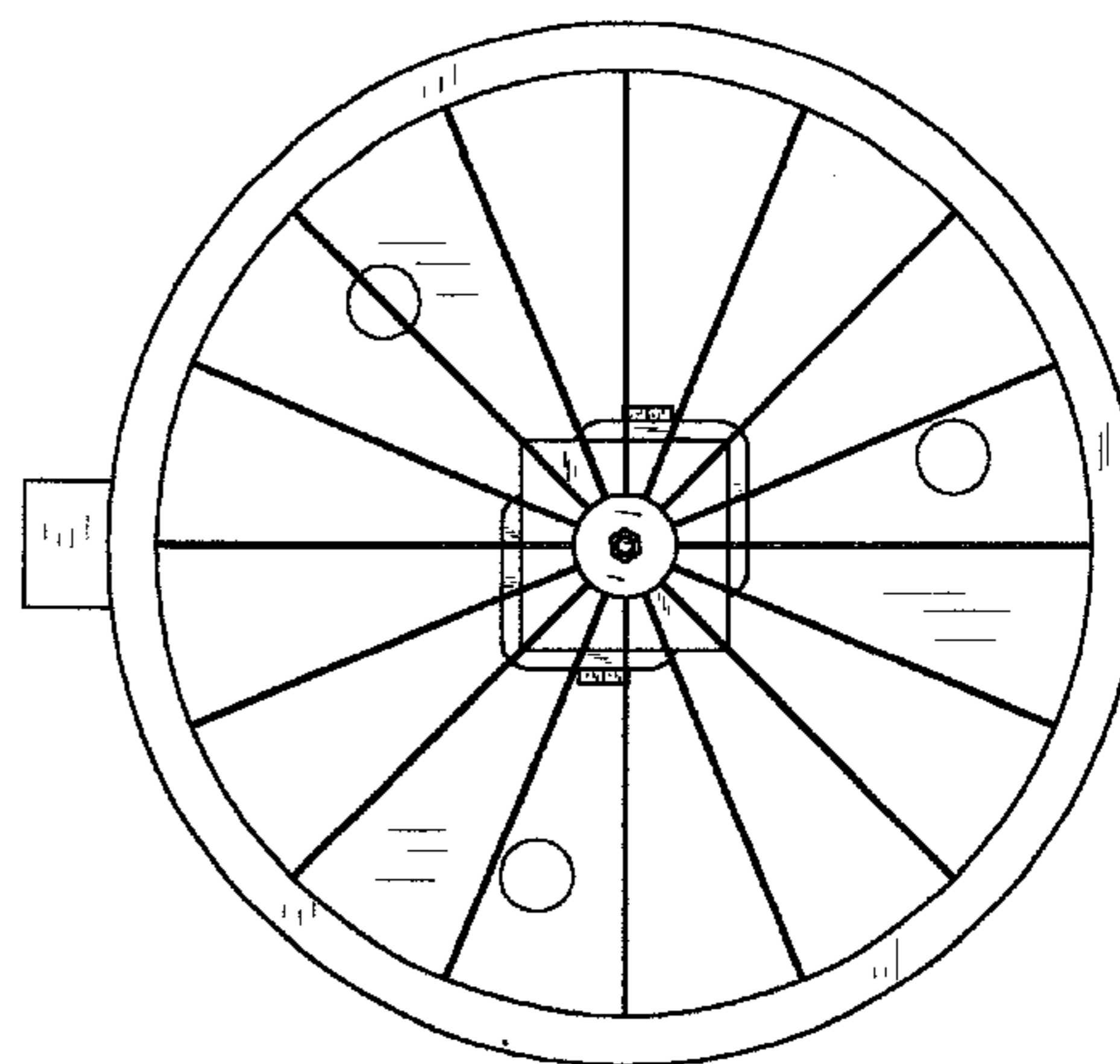
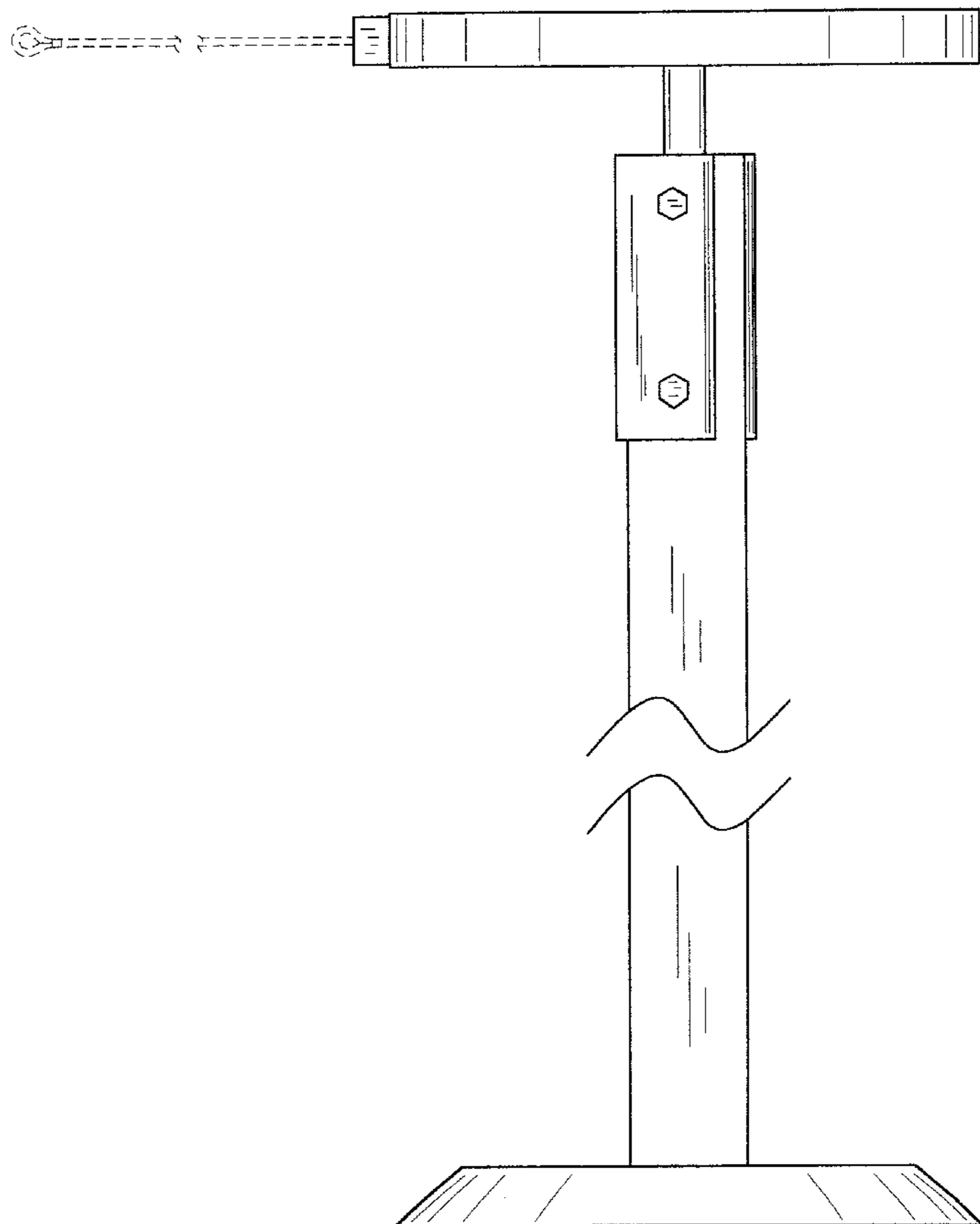
The design has been shown broken away in the middle in FIGS. 1 and 2 to indicate indeterminate length. The broken line showing of environmental structure is for illustrative purposes only and forms no part of the claimed design.

U.S. PATENT DOCUMENTS

- D298,975 S * 12/1988 Pantoja et al. D30/154
- D447,291 S * 8/2001 Willinger D30/154
- D477,118 S * 7/2003 Kirch et al. D30/154

* cited by examiner

1 Claim, 3 Drawing Sheets



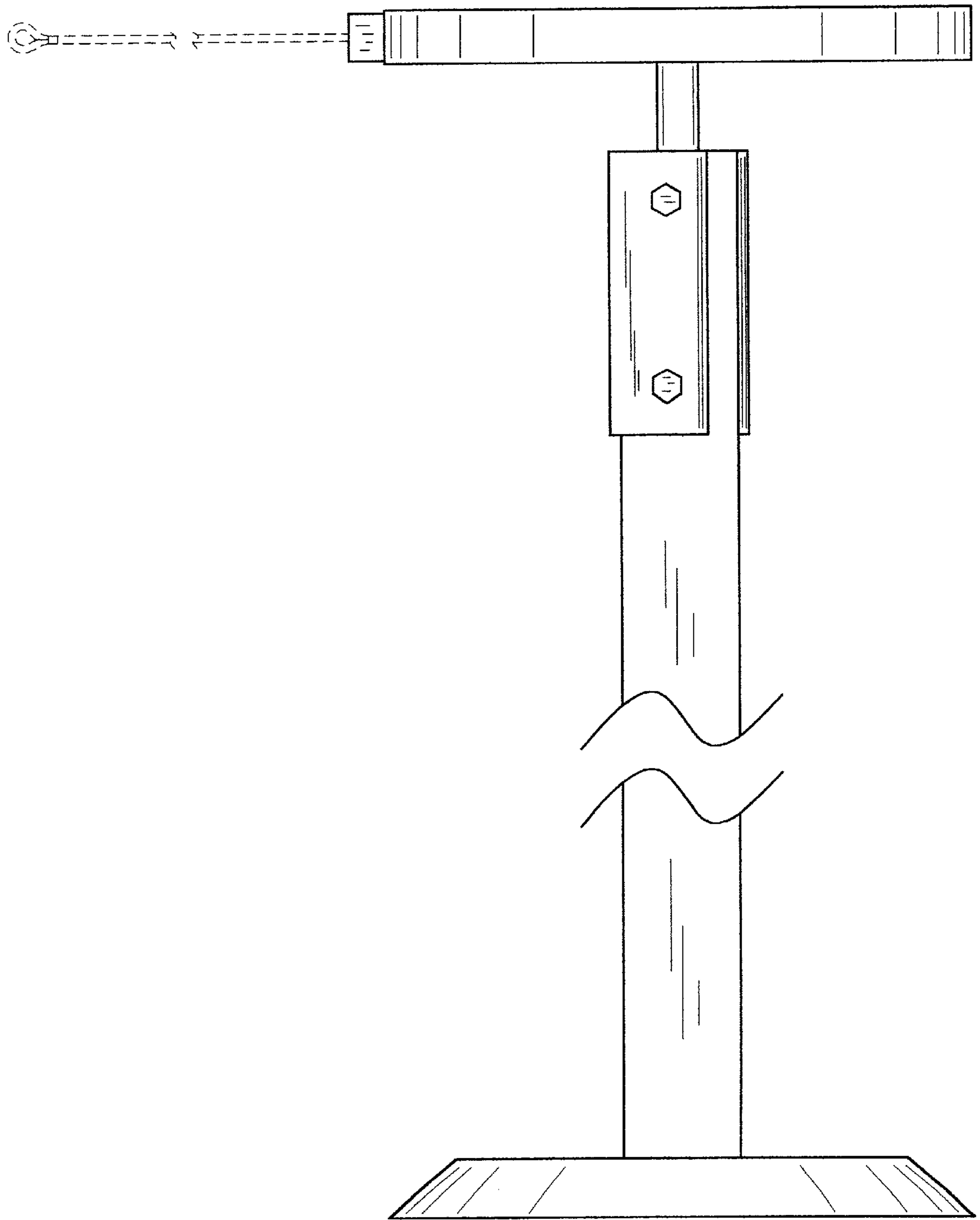


FIG. 1

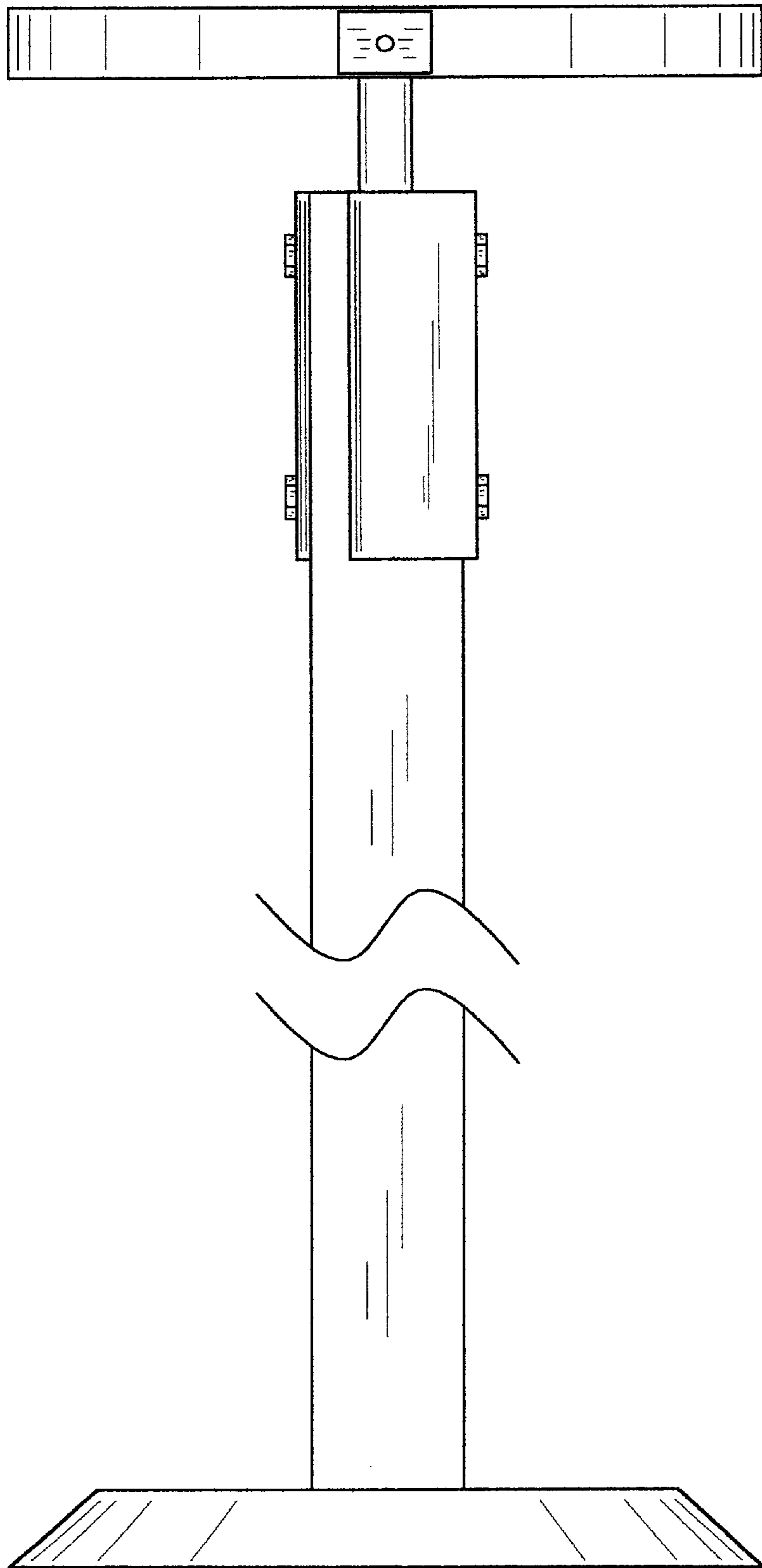


FIG. 2

FIG. 3

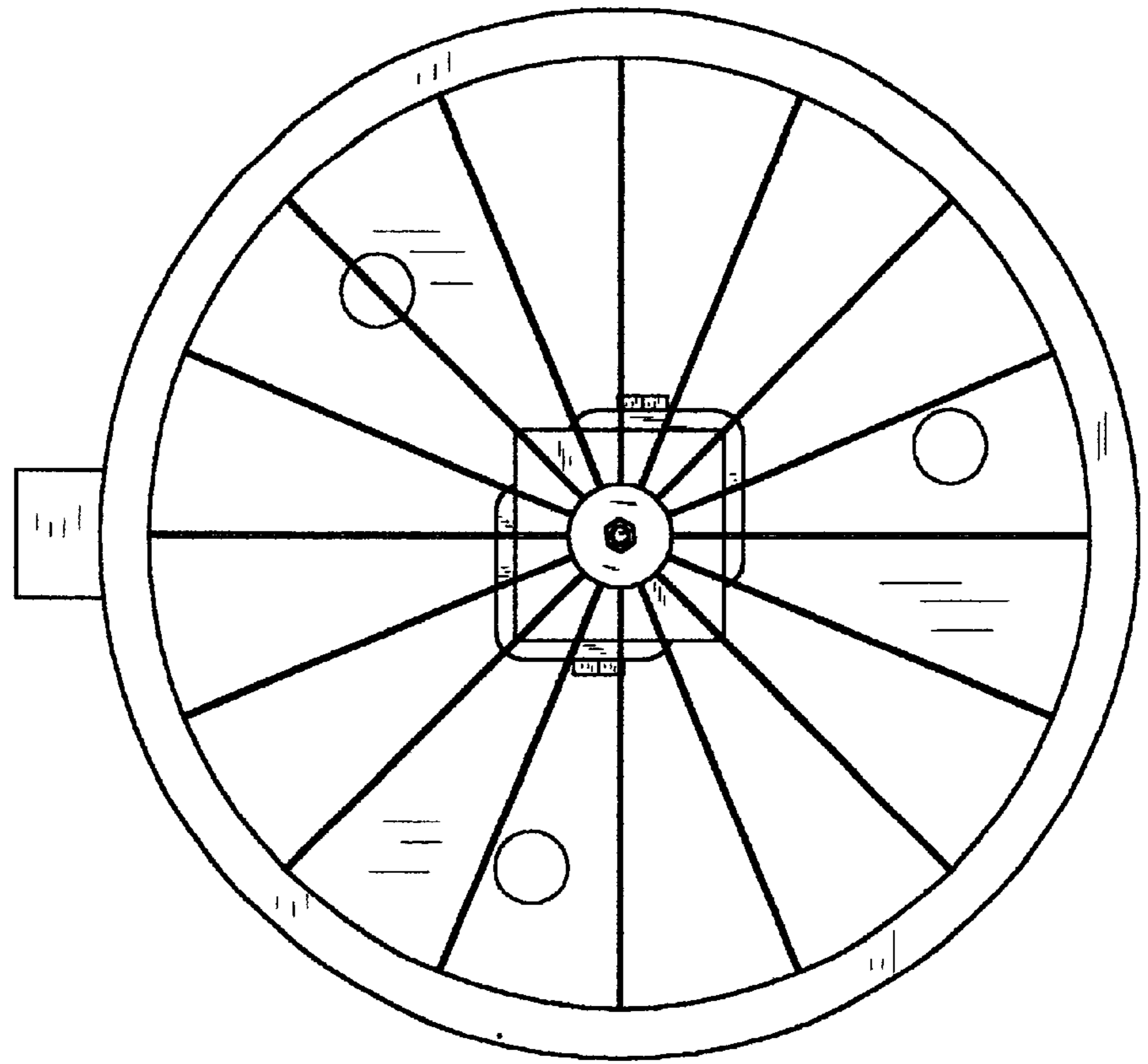


FIG. 4

