



US00D486946S

(12) **United States Design Patent**
Castro

(10) **Patent No.:** **US D486,946 S**

(45) **Date of Patent:** **** Feb. 17, 2004**

(54) **LIVE ANIMAL FEEDER**

D397,527 S * 8/1998 Bruder et al. D30/121
6,510,813 B1 * 1/2003 Boone, Jr. 119/57.91

(76) Inventor: **Lawrence R. Castro**, 4520 Land O'
Lakes Blvd., Land O' Lakes, FL (US)
34639

* cited by examiner

(**) Term: **14 Years**

Primary Examiner—Pamela Burgess
(74) *Attorney, Agent, or Firm*—Larson & Larson, PA;
James E. Larson

(21) Appl. No.: **29/175,841**

(57) **CLAIM**

(22) Filed: **Feb. 11, 2003**

The ornamental design for a live animal feeder, as shown
and described.

(51) **LOC (7) Cl.** **30-07**

(52) **U.S. Cl.** **D30/121**

(58) **Field of Search** D30/121, 122,
D30/131, 133; 119/57.91, 51.01, 51.11,
52.1, 53, 54, 55, 53.5, 61, 52.2, 51.5, 51.4,
51.03, 56.1, 51.13, 51.12, 52.4

DESCRIPTION

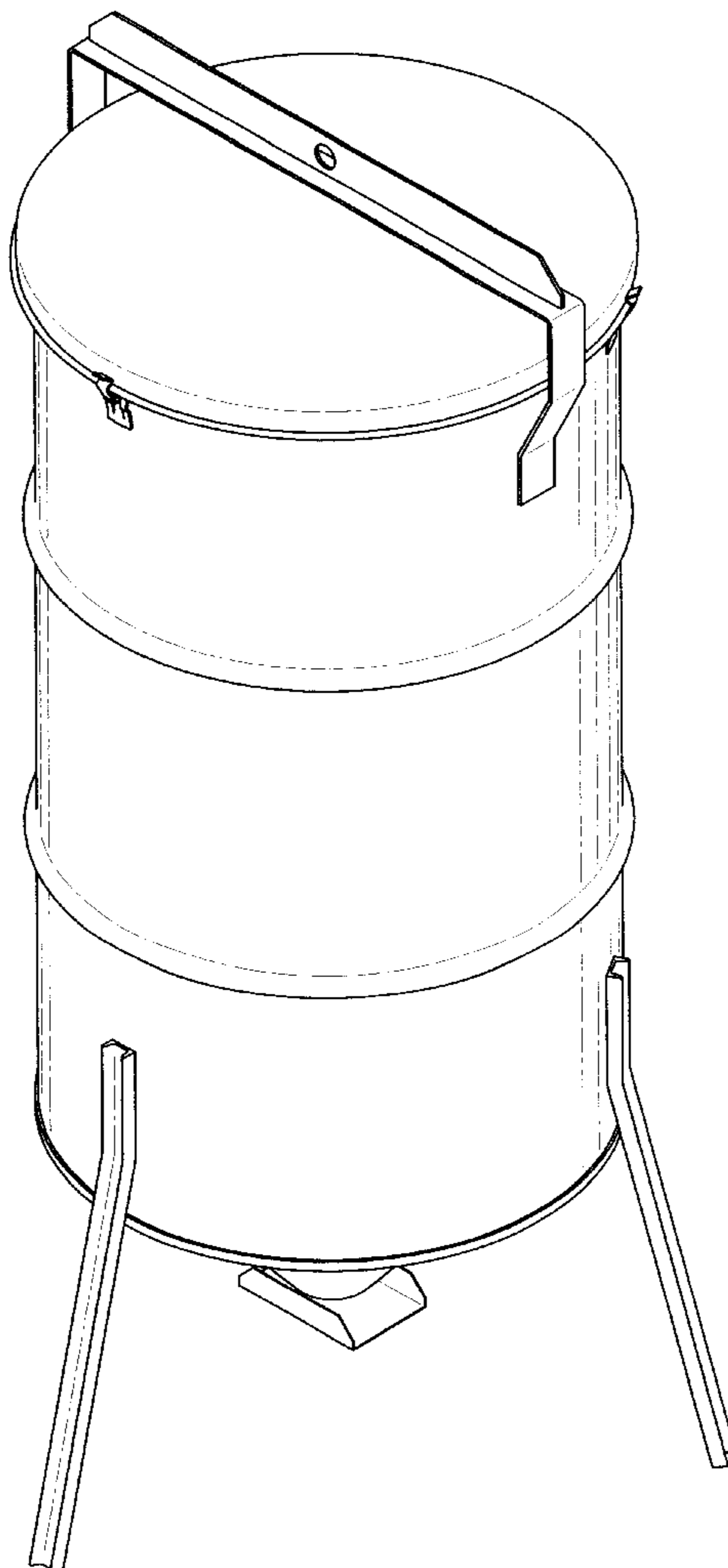
FIG. 1 is a front elevational view showing my novel design
for the live animal feeder of the this invention;
FIG. 2 is a rear elevational view thereof;
FIG. 3 is a right side elevational view thereof;
FIG. 4 is a left side elevational view thereof;
FIG. 5 is a top plan view thereof;
FIG. 6 is a bottom view thereof; and,
FIG. 7 is a perspective view thereof.

(56) **References Cited**

U.S. PATENT DOCUMENTS

4,986,220 A * 1/1991 Reneau et al. 119/57.91
D326,741 S * 6/1992 Powers D30/121
D373,659 S * 9/1996 Miller D30/121

1 Claim, 6 Drawing Sheets



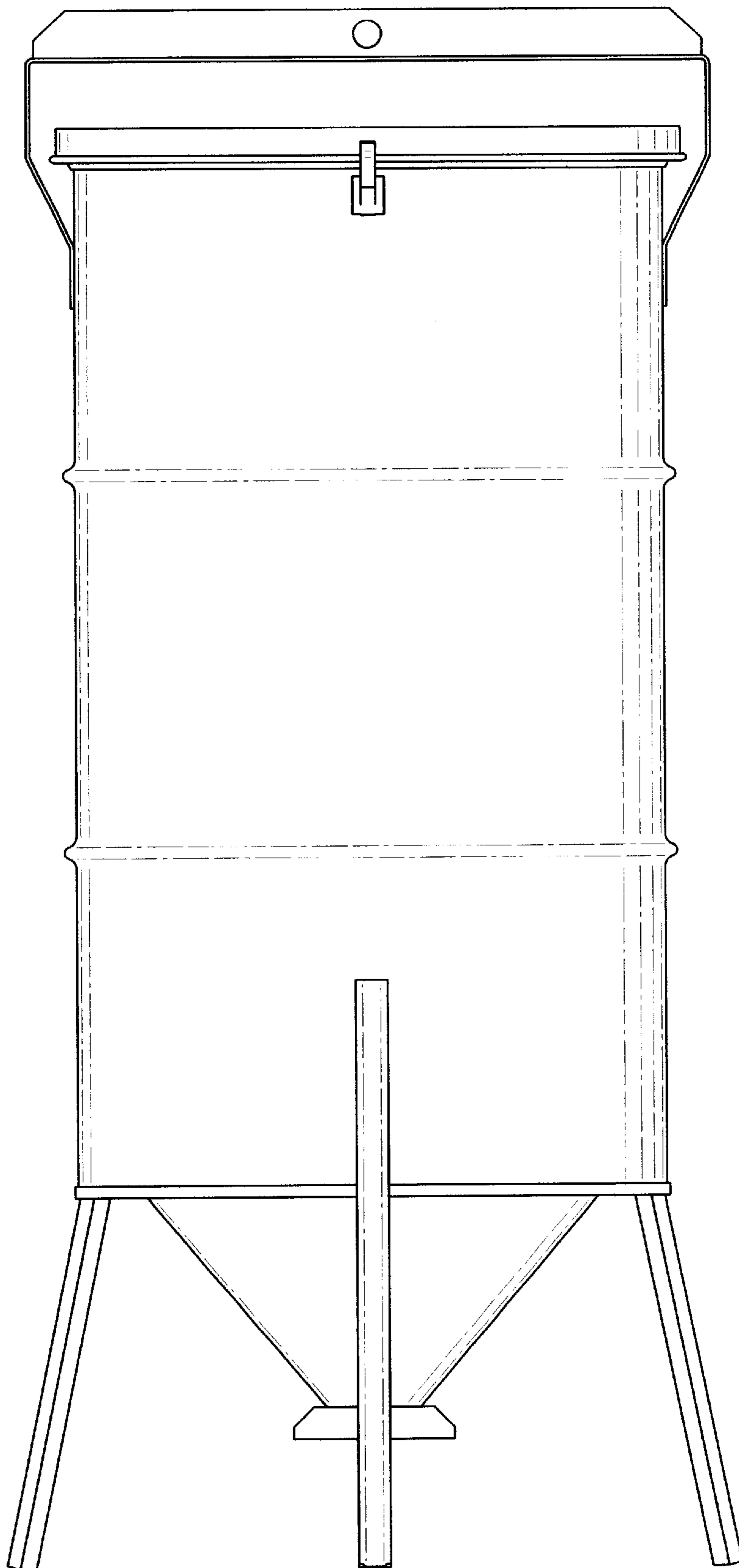


FIG. 1

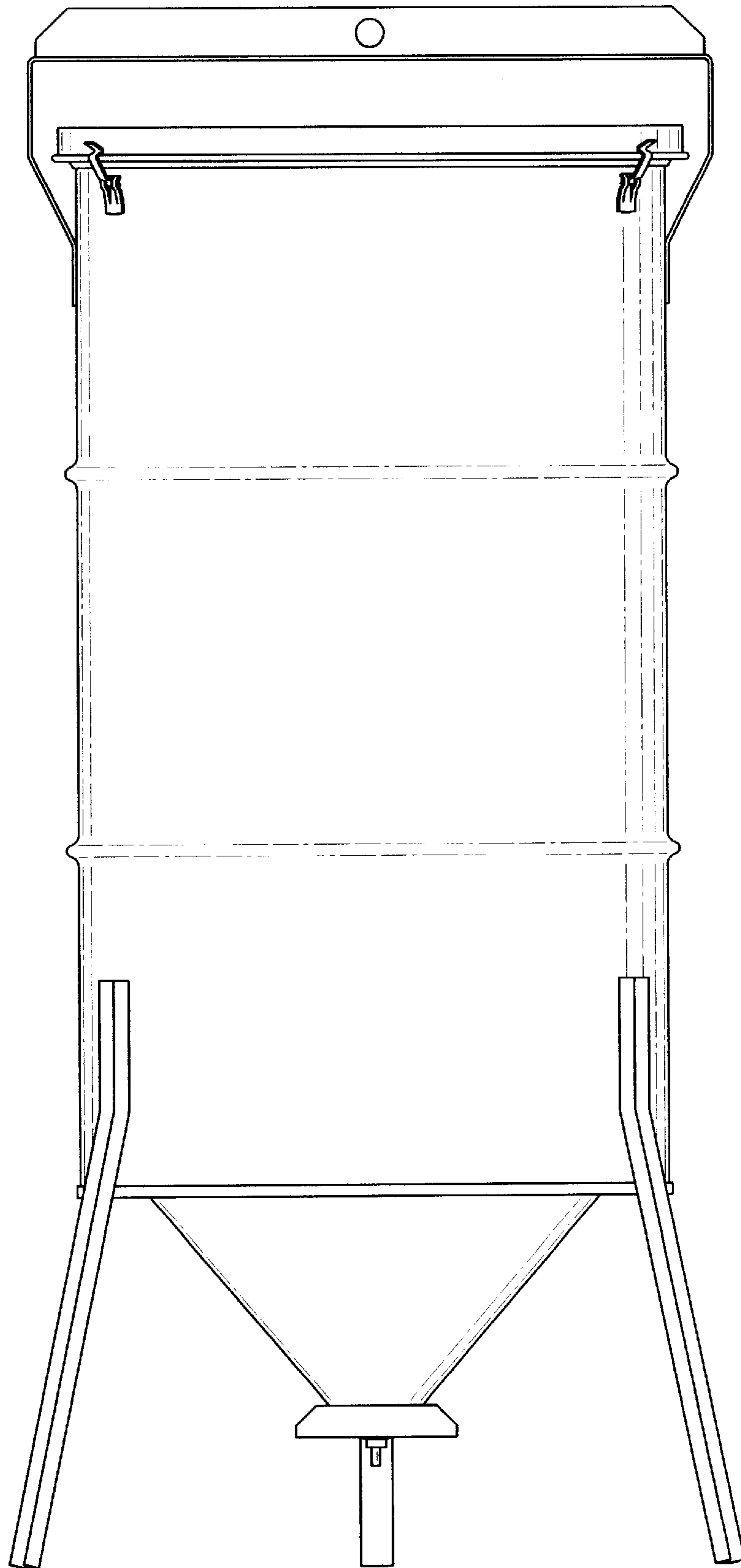


FIG. 2

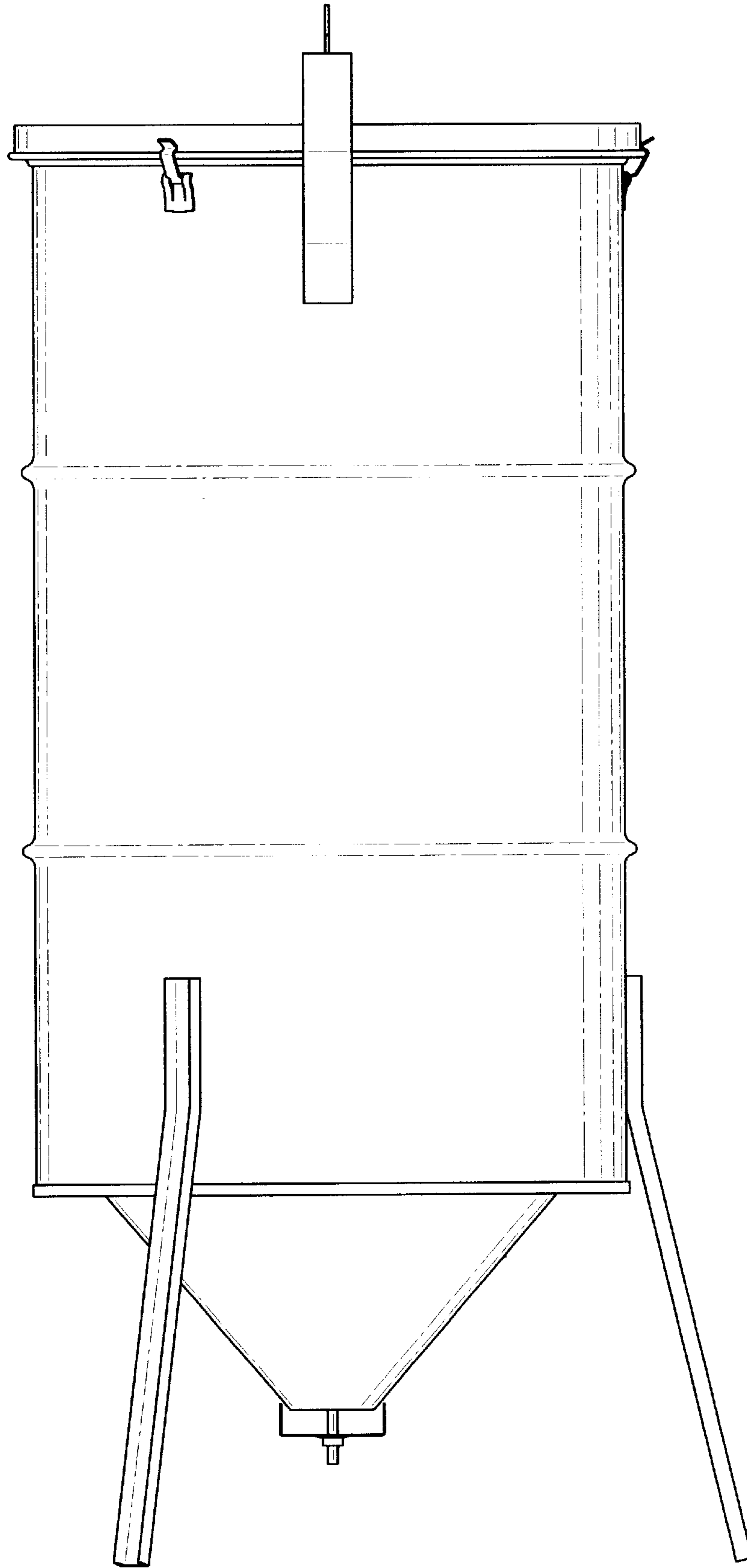


FIG. 3

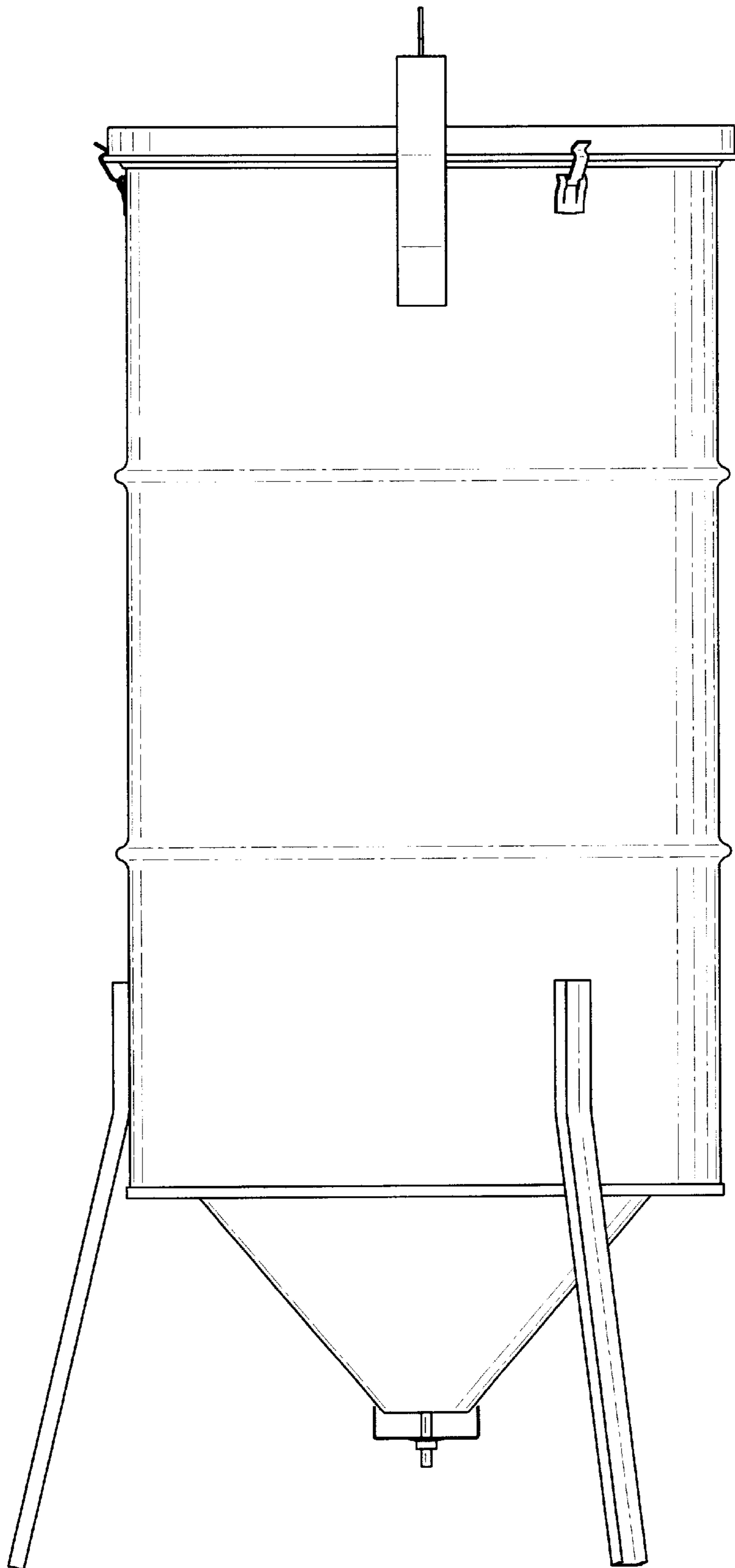


FIG. 4

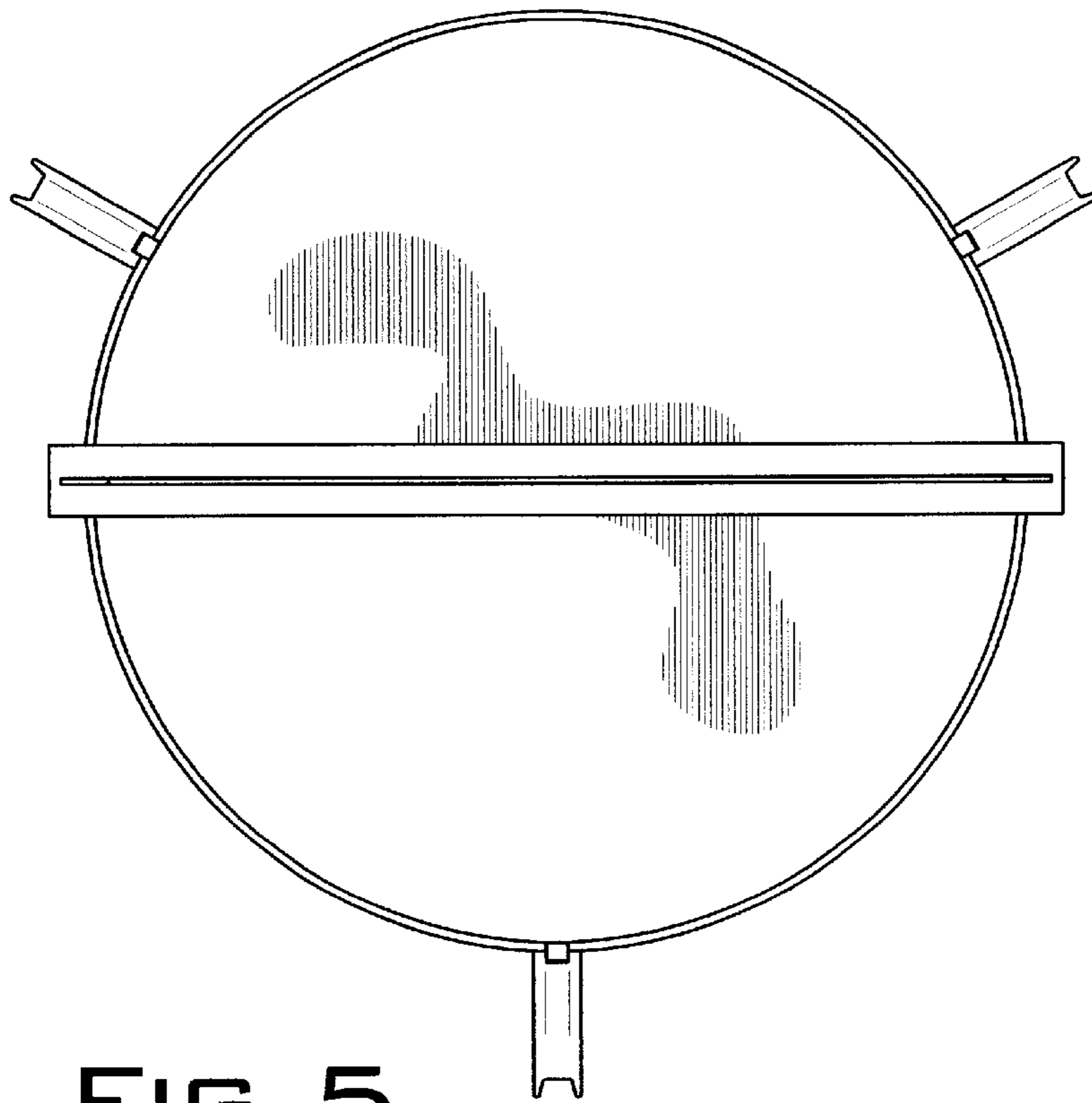


FIG. 5

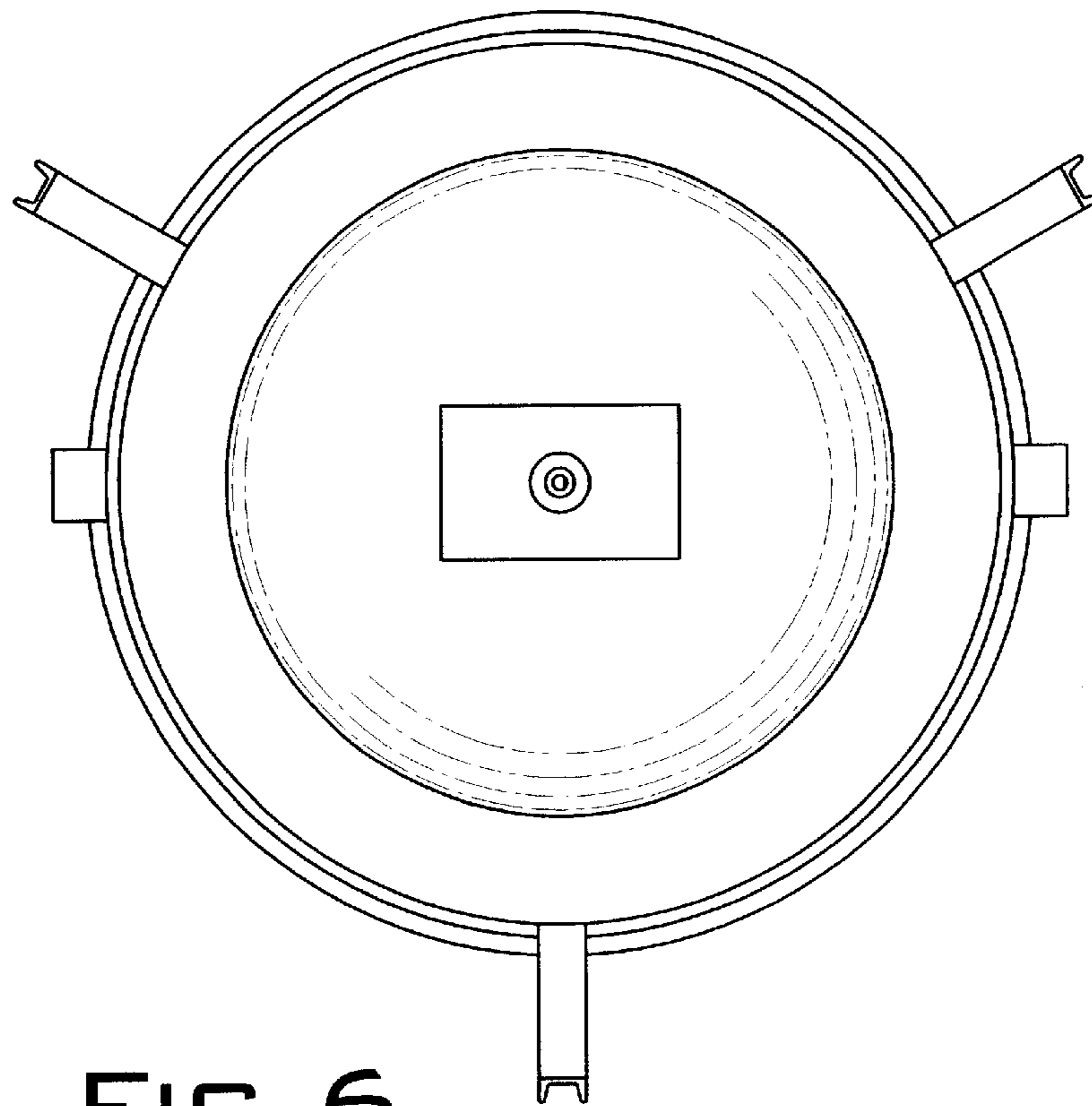


FIG. 6

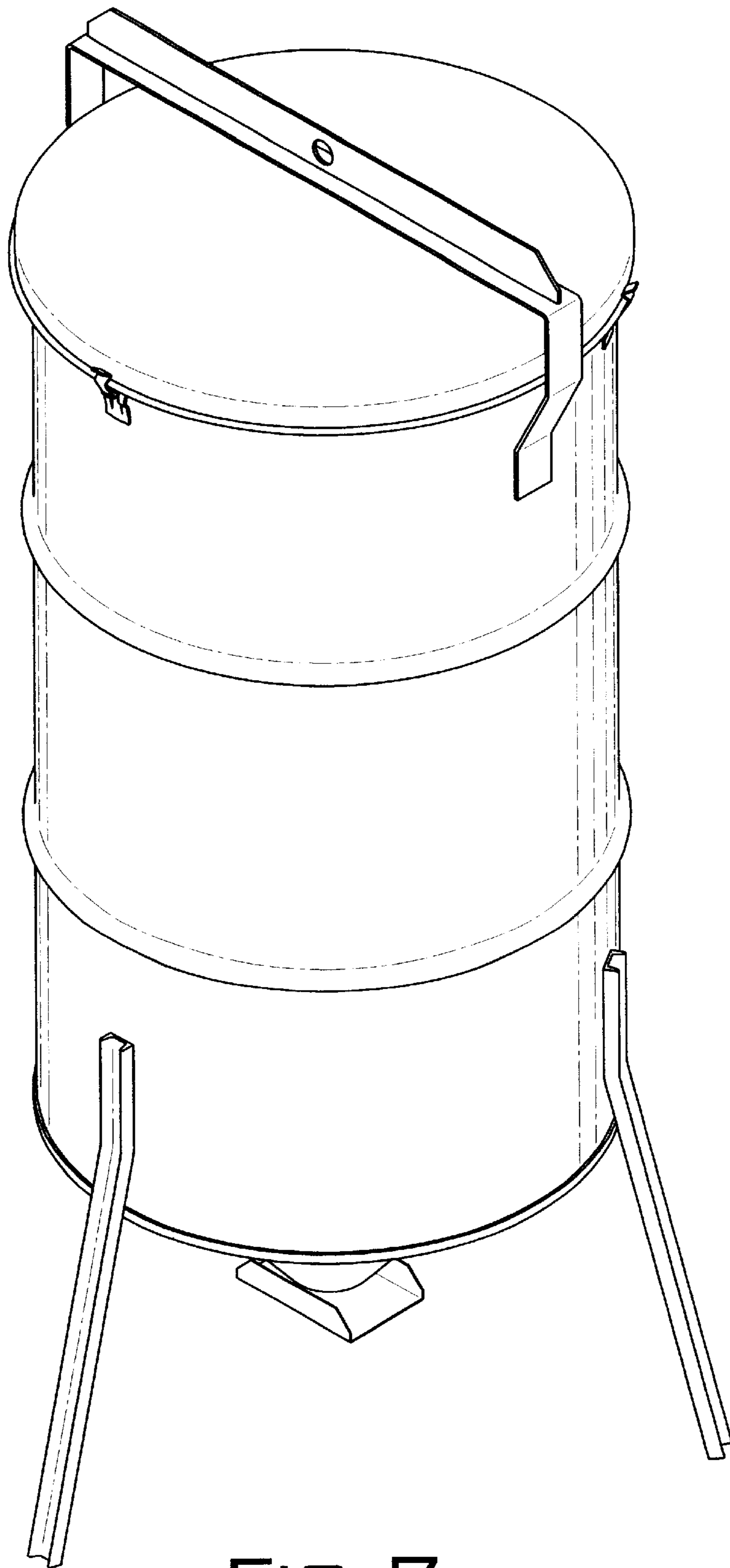


FIG. 7