



US00D486943S

(12) **United States Design Patent**
Kim

(10) **Patent No.:** **US D486,943 S**

(45) **Date of Patent:** **** *Feb. 17, 2004**

(54) **NAIL CLIPPERS**

(75) Inventor: **Hyung Kyu Kim**, Chungcheongnam-do (KR)

(73) Assignee: **Threeseven Corporation**, Chungcheongnam-do (KR)

(*) Notice: This patent is subject to a terminal disclaimer.

(**) Term: **14 Years**

(21) Appl. No.: **29/152,130**

(22) Filed: **Dec. 18, 2001**

(30) **Foreign Application Priority Data**

Jul. 9, 2001 (KR) 2001-18827

(51) **LOC (7) Cl.** **28-03**

(52) **U.S. Cl.** **D28/60**

(58) **Field of Search** D28/60, 62; 30/26, 30/28; 132/75.3, 75.4, 75.6

(56) **References Cited**

U.S. PATENT DOCUMENTS

843,383 A * 2/1907 Wooster 30/28
D156,233 S * 11/1949 Henkel D28/60
2,774,138 A * 12/1956 Gowdey 30/28

D210,505 S * 3/1968 Leopoldi D28/60
5,063,666 A * 11/1991 Tsay 30/28
5,074,041 A * 12/1991 Wagner 30/28
5,226,849 A * 7/1993 Johnson 30/28
5,490,327 A * 2/1996 Ohori 30/28
5,632,288 A * 5/1997 Webb 132/75.5
D437,456 S * 2/2001 Kim D28/60

* cited by examiner

Primary Examiner—Philip S. Hyder

Assistant Examiner—C Tuttle

(74) *Attorney, Agent, or Firm*—Liniak, Berenato & White, LLC

(57) **CLAIM**

The ornamental design for nail clippers, as shown and described.

DESCRIPTION

FIG. 1 is a perspective view of my nail clippers;
FIG. 2 is a front elevational view;
FIG. 3 is a rear elevational view;
FIG. 4 is a left side elevational view;
FIG. 5 is a right side elevational view;
FIG. 6 is a top plan view;
FIG. 7 is a bottom plan view; and,
FIG. 8 is a perspective view in a second orientation.

1 Claim, 4 Drawing Sheets

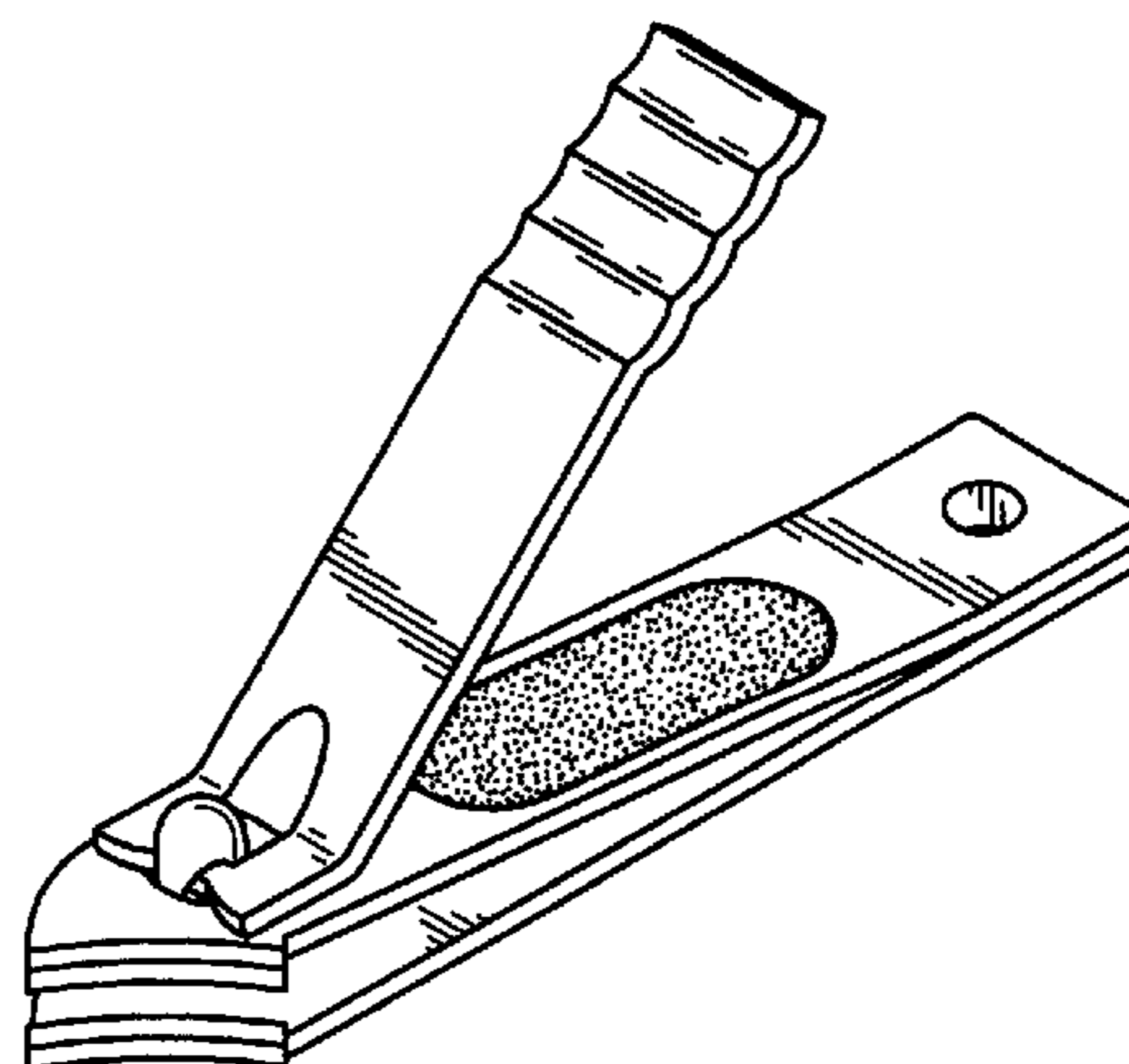
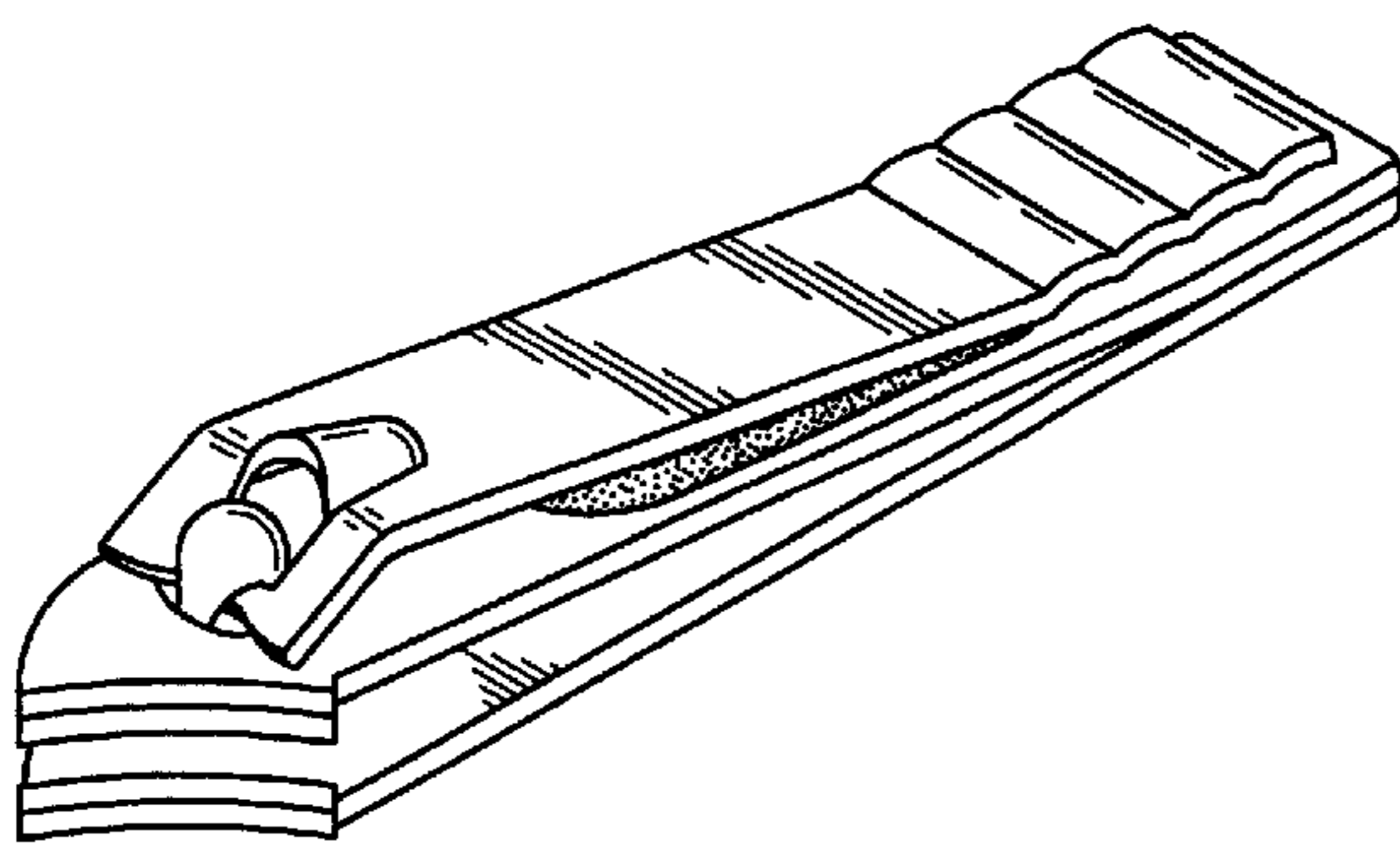


Fig. 1

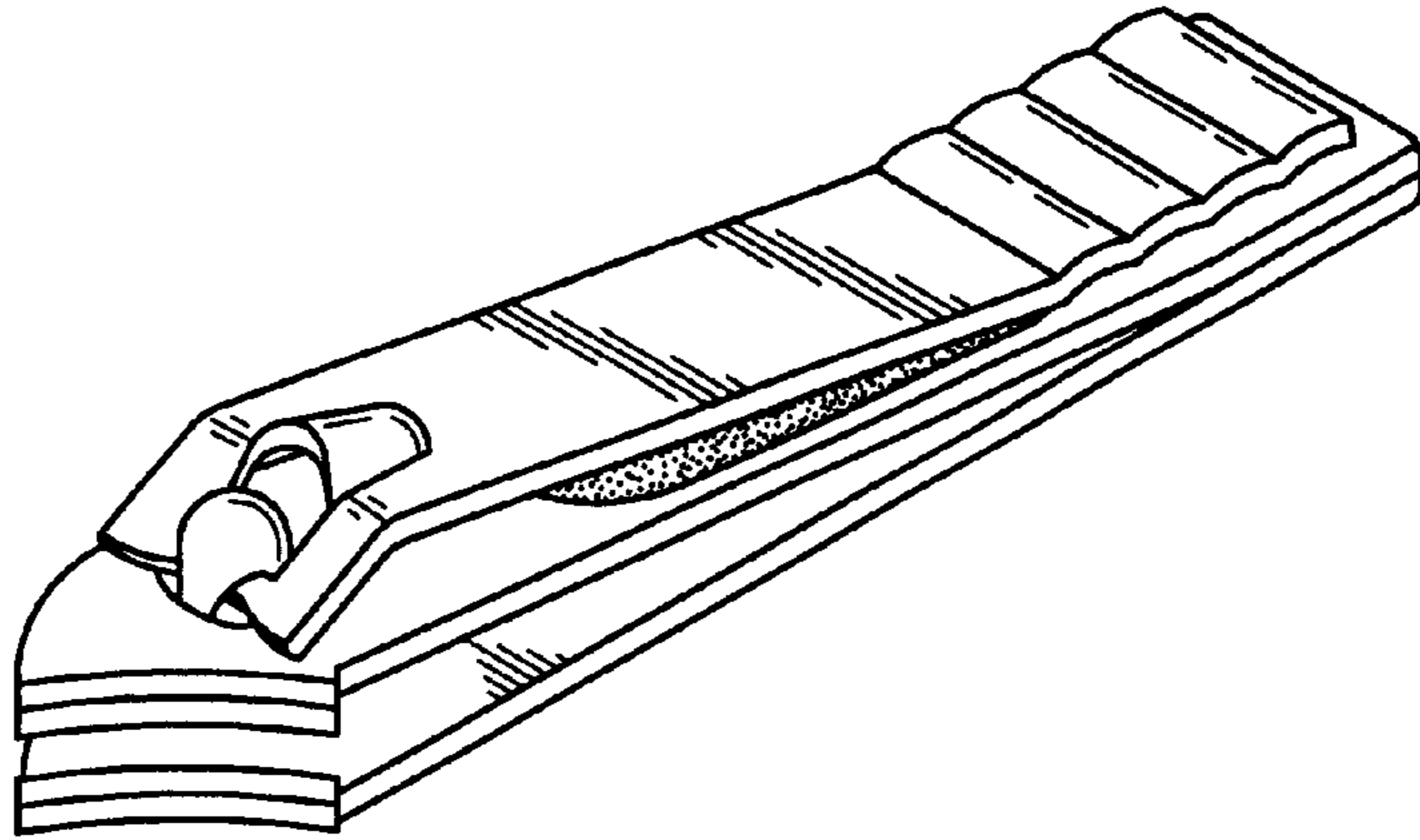


Fig. 2



Fig. 3

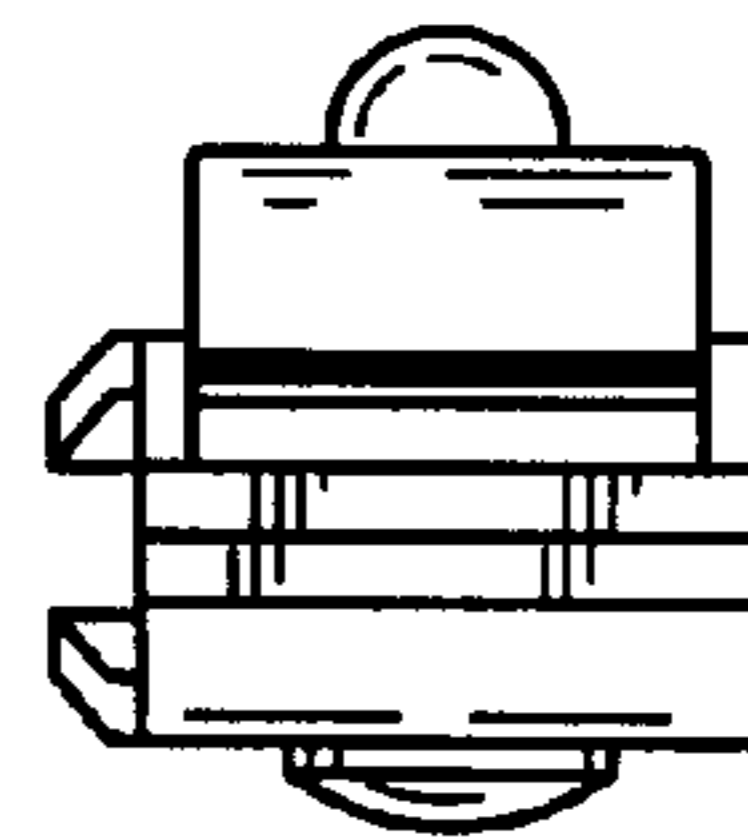


Fig. 4

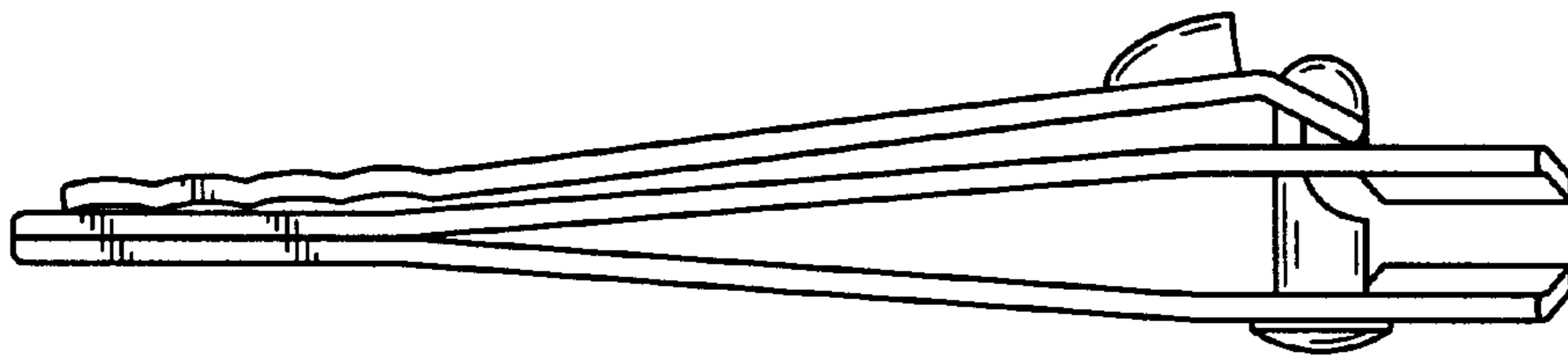


Fig. 5

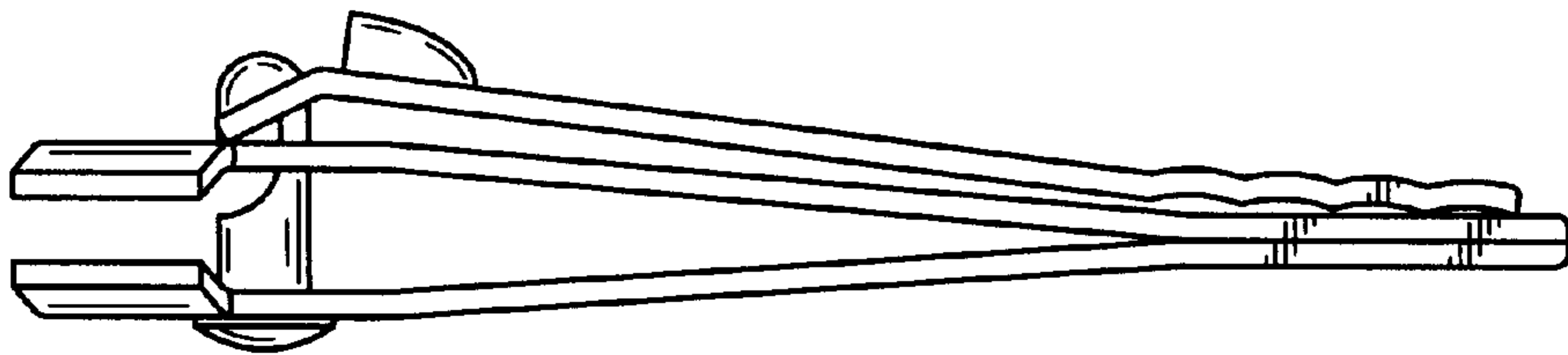


Fig. 6

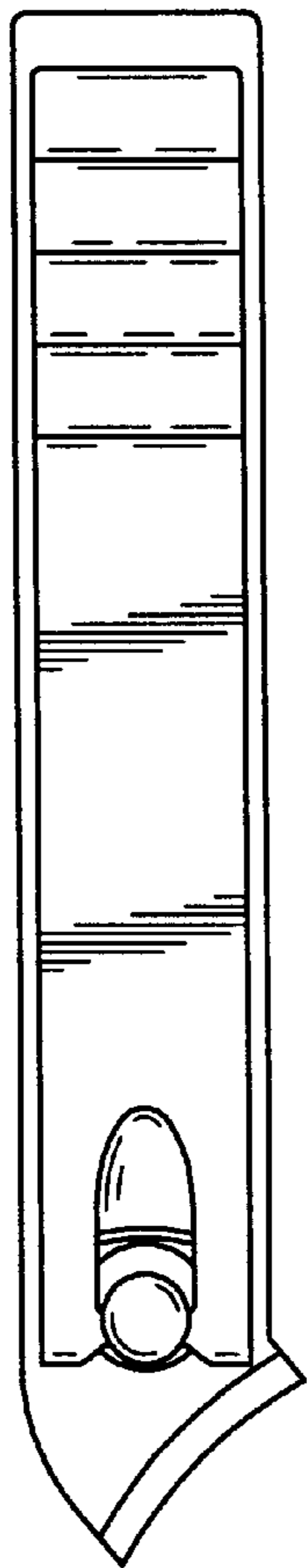


Fig. 7

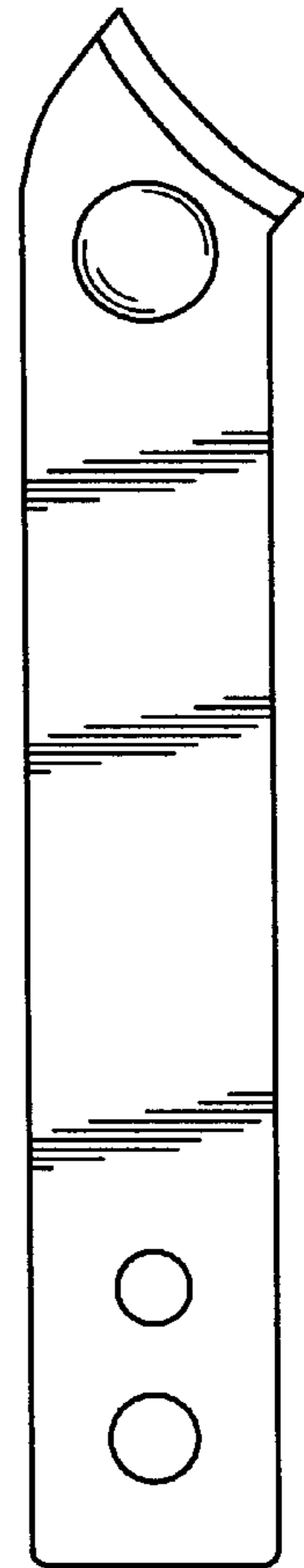


Fig. 8

