



US00D486939S

(12) **United States Design Patent**
Cuevas et al.

(10) **Patent No.:** **US D486,939 S**

(45) **Date of Patent:** **** Feb. 17, 2004**

(54) **WALL LAMP**

(75) Inventors: **Daniel Cuevas**, Los Angeles, CA (US);
Richard Hallberg, Los Angeles, CA
(US); **Barbara Wiseley**, Los Angeles,
CA (US)

(73) Assignee: **E.C. Group, Inc.**, Los Angeles, CA
(US)

(**) Term: **14 Years**

(21) Appl. No.: **29/174,493**

(22) Filed: **Jan. 17, 2003**

(51) **LOC (7) Cl.** **26-05**

(52) **U.S. Cl.** **D26/72**

(58) **Field of Search** D26/24, 72, 73,
D26/80-92; 362/147, 404-408, 431, 432

(56) **References Cited**

U.S. PATENT DOCUMENTS

- D78,006 S * 3/1929 Chamberlain D26/73
- D86,756 S * 4/1932 Wangersheim D26/92
- D118,307 S * 12/1939 MacFadden et al. D26/92

OTHER PUBLICATIONS

Corbett Lighting Catalog (c)2000; p. 136; item 3441.*
Thomas Lighting 1996 Catalog; p. 175; item M5296-1.*

* cited by examiner

Primary Examiner—Clare E. Heflin

(74) *Attorney, Agent, or Firm*—Heslin Rothenberg Farley
& Mesiti, P.C.

(57) **CLAIM**

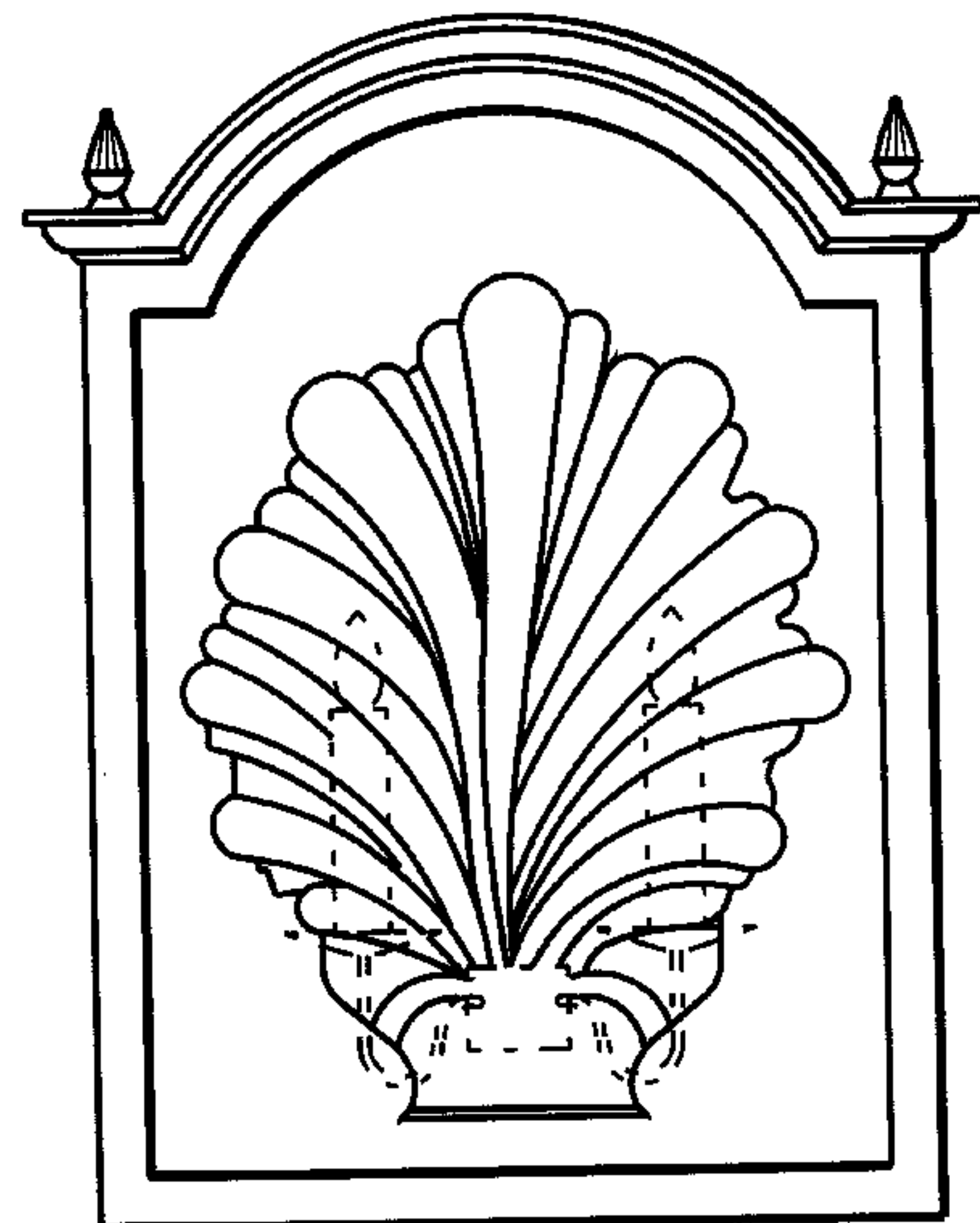
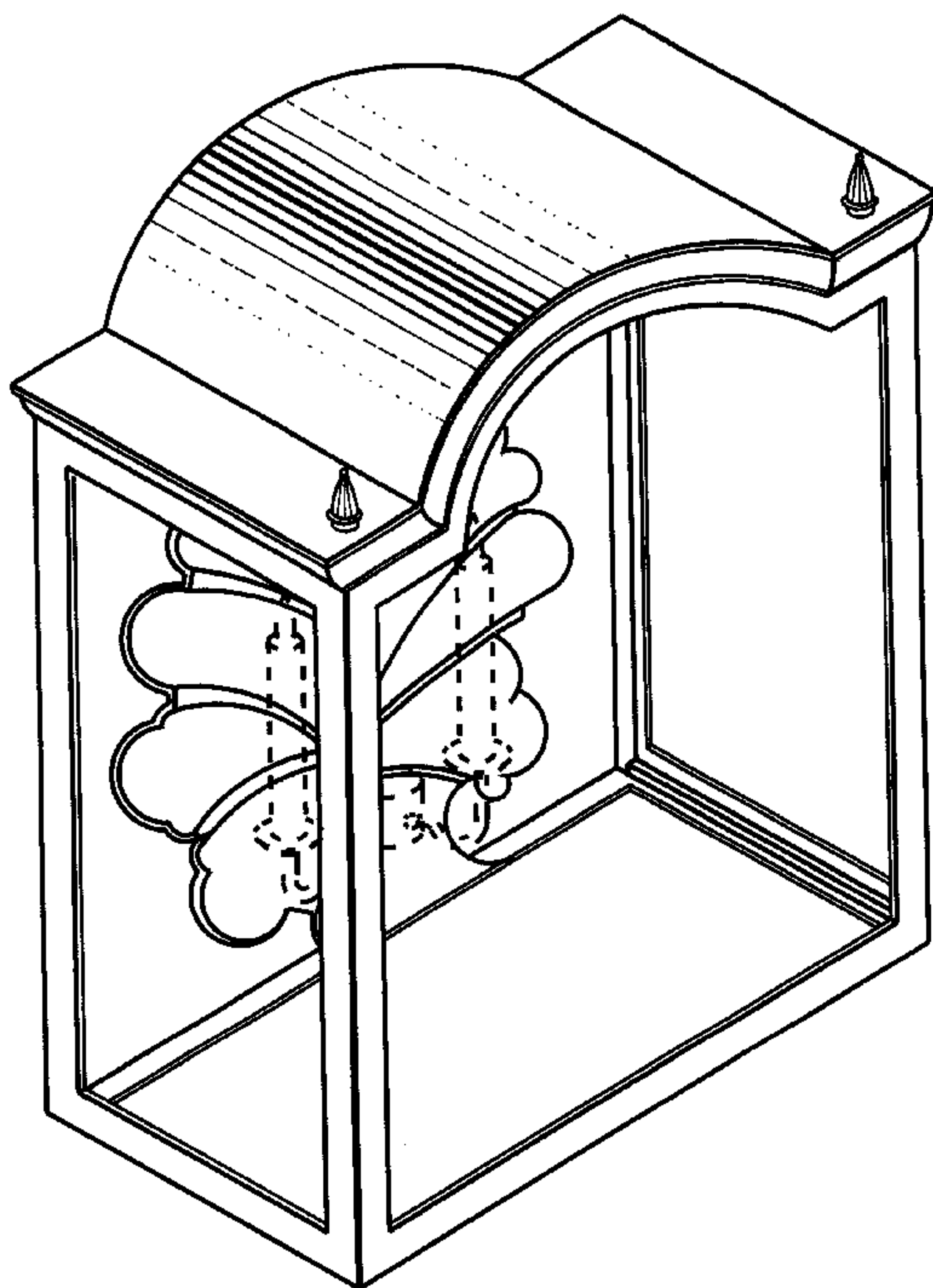
The ornamental design for the wall lamp, as shown and described.

DESCRIPTION

FIG. 1 is a perspective view of a wall lamp comprising the new design;
FIG. 2 is a front elevational view thereof;
FIG. 3 is a right side elevational view thereof, a left side elevational view being a mirror image thereof;
FIG. 4 is a top view thereof; and,
FIG. 5 is a bottom view thereof.

The broken lines in the drawings are for illustrative purposes only and form no part of the claimed design.

1 Claim, 3 Drawing Sheets



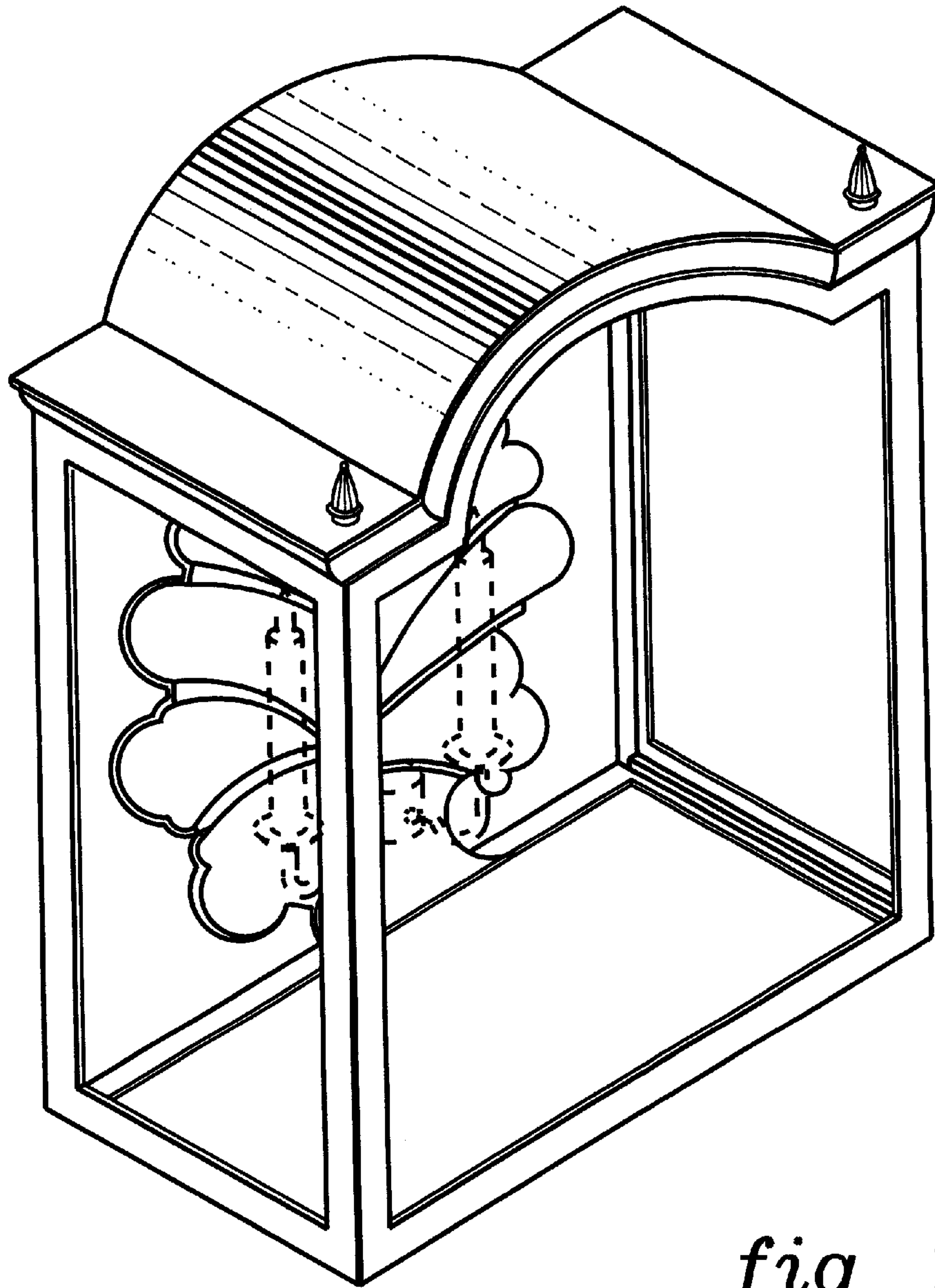


fig. 1

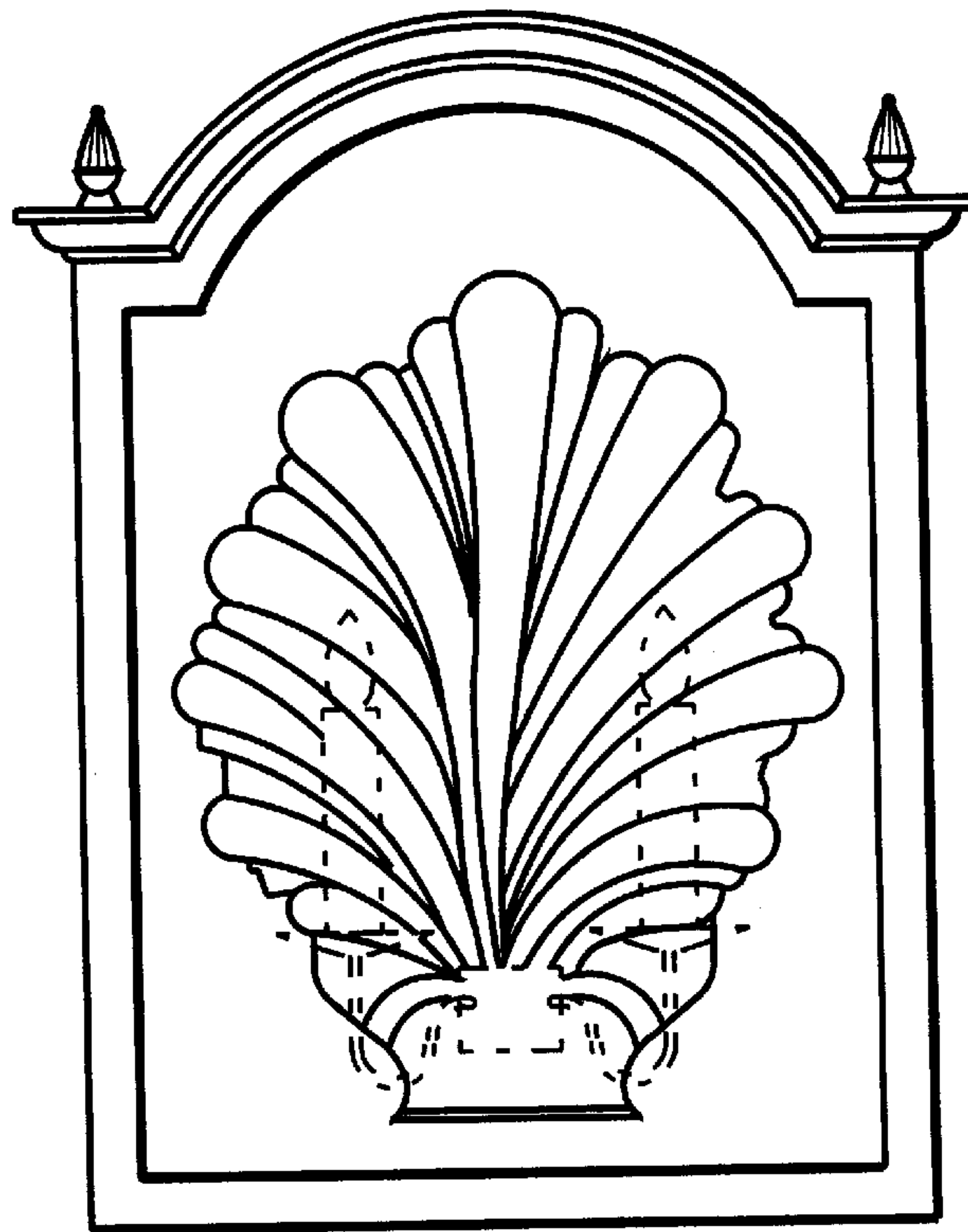


fig. 2

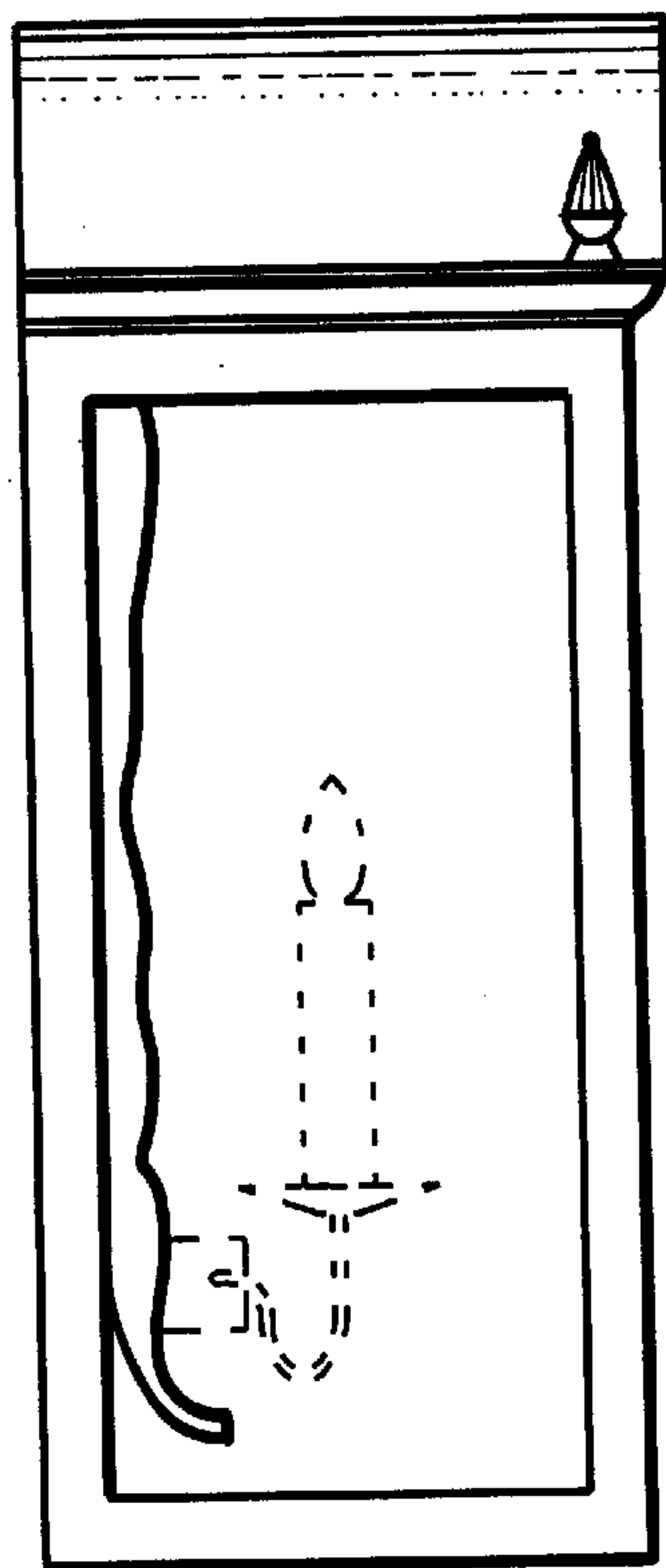


fig. 3

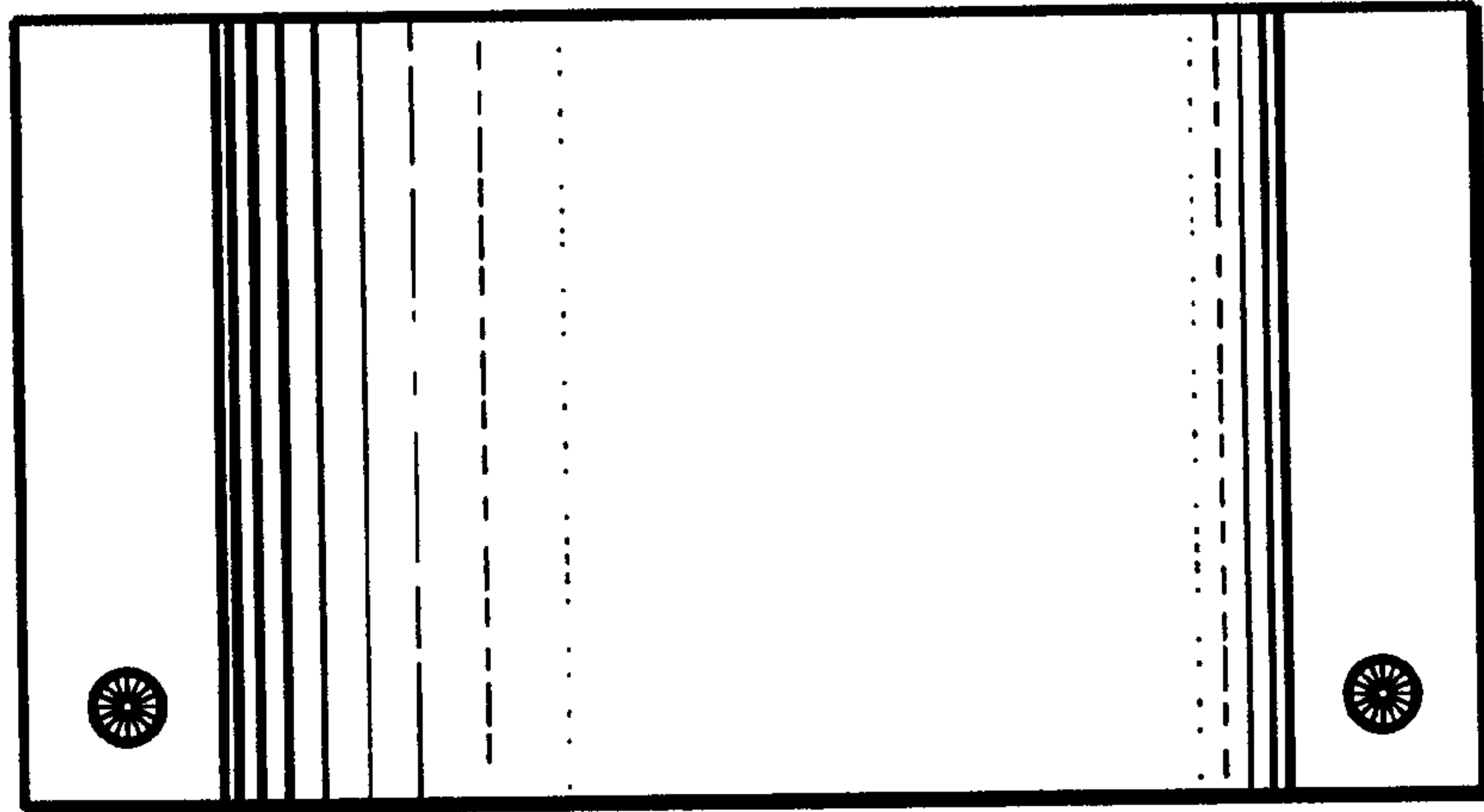


fig. 4

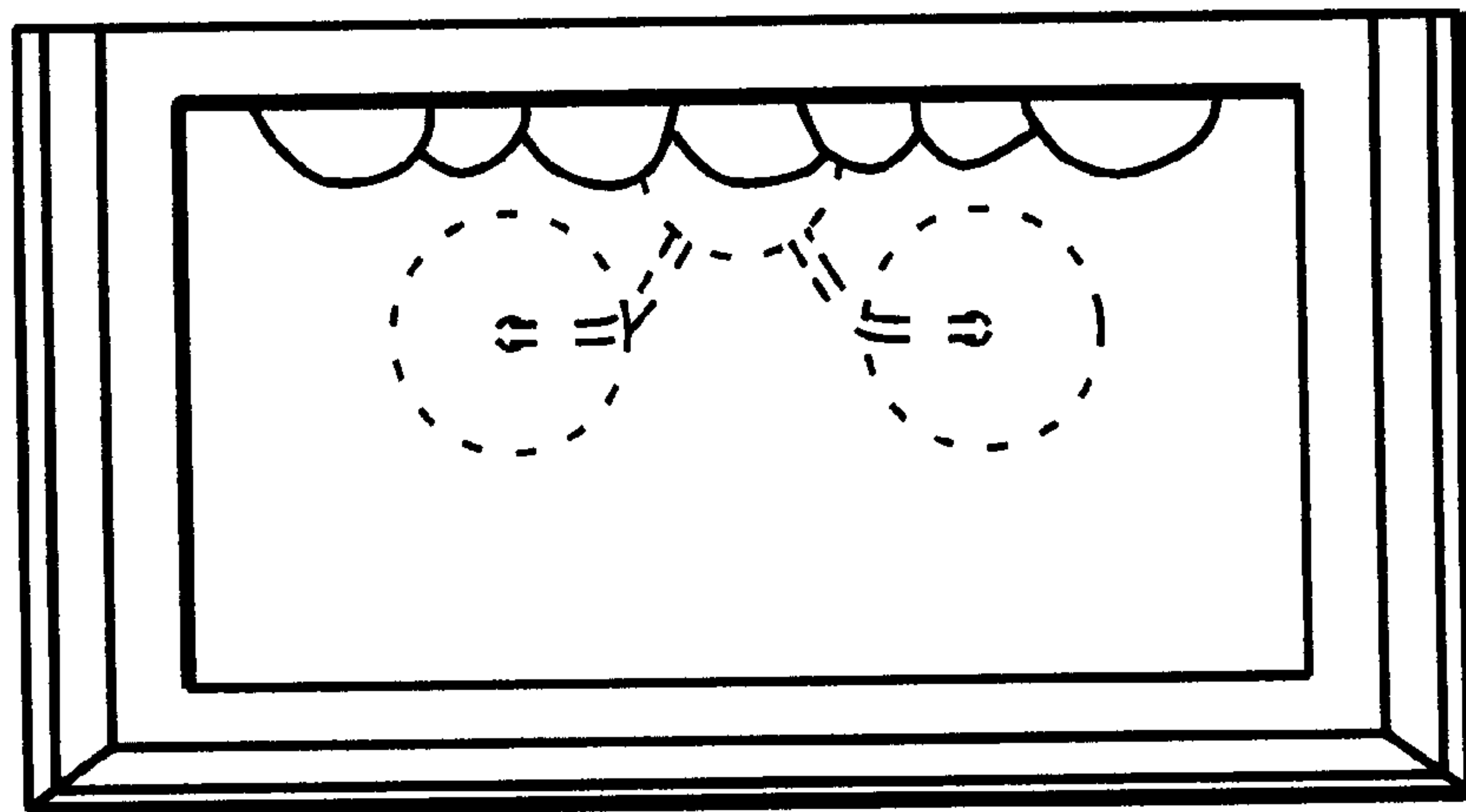


fig. 5