



US00D486933S

(12) **United States Design Patent**
Leung et al.

(10) **Patent No.:** **US D486,933 S**

(45) **Date of Patent:** **** Feb. 17, 2004**

(54) **LANTERN**

D434,163 S * 11/2000 Lee D26/40
D464,451 S * 10/2002 Poon D26/40

(76) Inventors: **Ambrose Shing-Yin Leung**, Unit 901,
53-57 Kwai Fung Crescent, Kwai
Chung, New Territories (HK); **Benson
Chung-Pun Leung**, Unit 901, 53-57
Kwai Fung Crescent, Kwai Chung, New
Territories (HK)

* cited by examiner

Primary Examiner—Marcus A. Jackson
(74) *Attorney, Agent, or Firm*—Wallenstein Wagner &
Rockey, Ltd.

(**) **Term:** **14 Years**

(57) **CLAIM**

We claim the ornamental design for lantern, as shown and
described.

(21) **Appl. No.:** **29/183,114**

DESCRIPTION

(22) **Filed:** **Jun. 6, 2003**

(51) **LOC (7) Cl.** **26-02**

FIG. 1 is a perspective view of a lantern according to the
new design.

(52) **U.S. Cl.** **D26/40**

FIG. 2 is a front view of the lantern shown in FIG. 1.

(58) **Field of Search** D26/37-50; 362/157,
362/158, 171, 172, 173, 183-208

FIG. 3 is a side view of the lantern shown in FIG. 1.

FIG. 4 is a rear view of the lantern shown in FIG. 1.

FIG. 5 is a top view of the lantern shown in FIG. 1; and,

FIG. 6 is a bottom view of the lantern shown in FIG. 1.

Features shown in broken lines in the drawings are not part
of the claim.

(56) **References Cited**

U.S. PATENT DOCUMENTS

D421,660 S * 3/2000 Shing D26/40
D433,762 S * 11/2000 Yuen D26/40

1 Claim, 3 Drawing Sheets

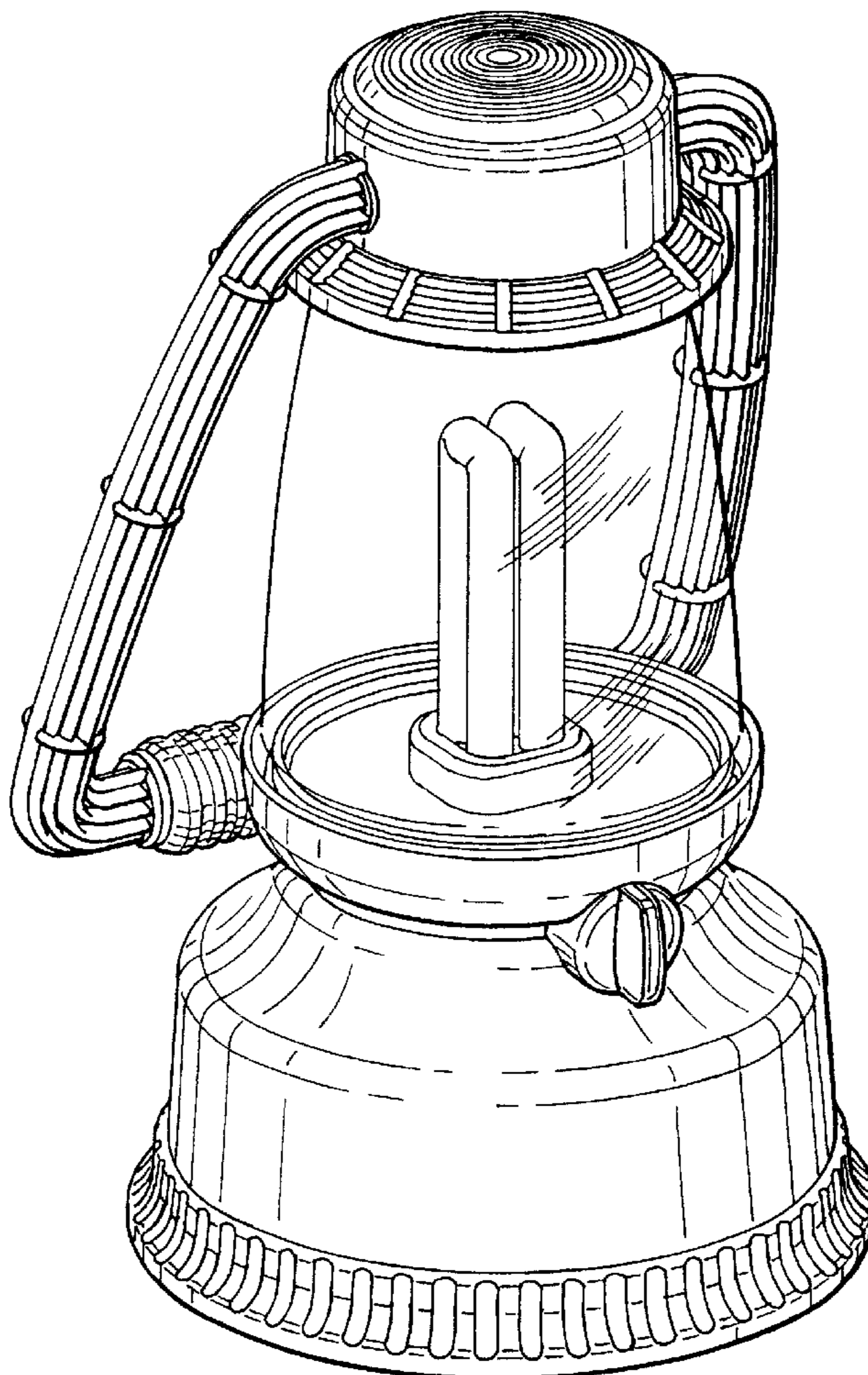


FIG. 2

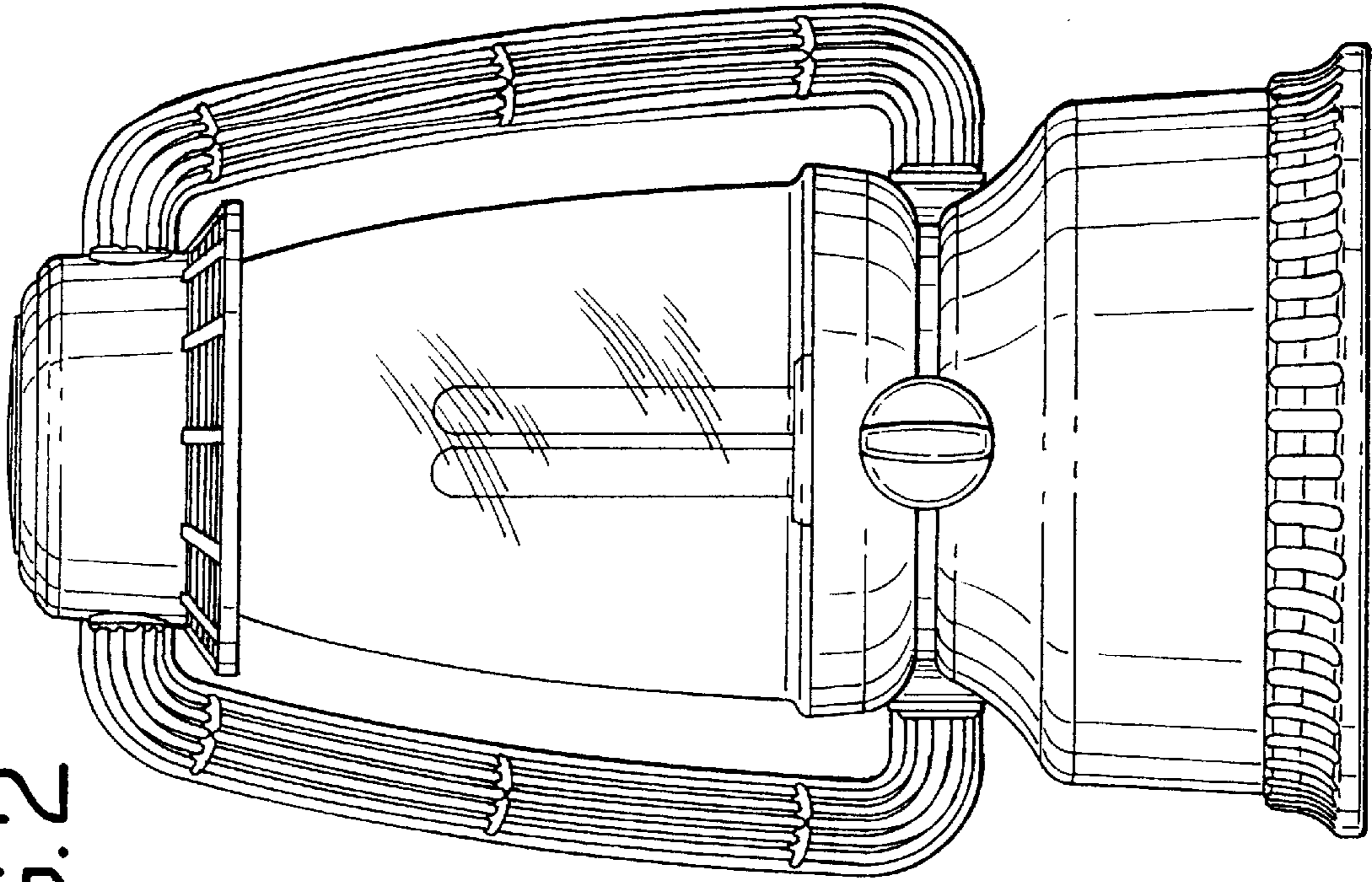


FIG. 1

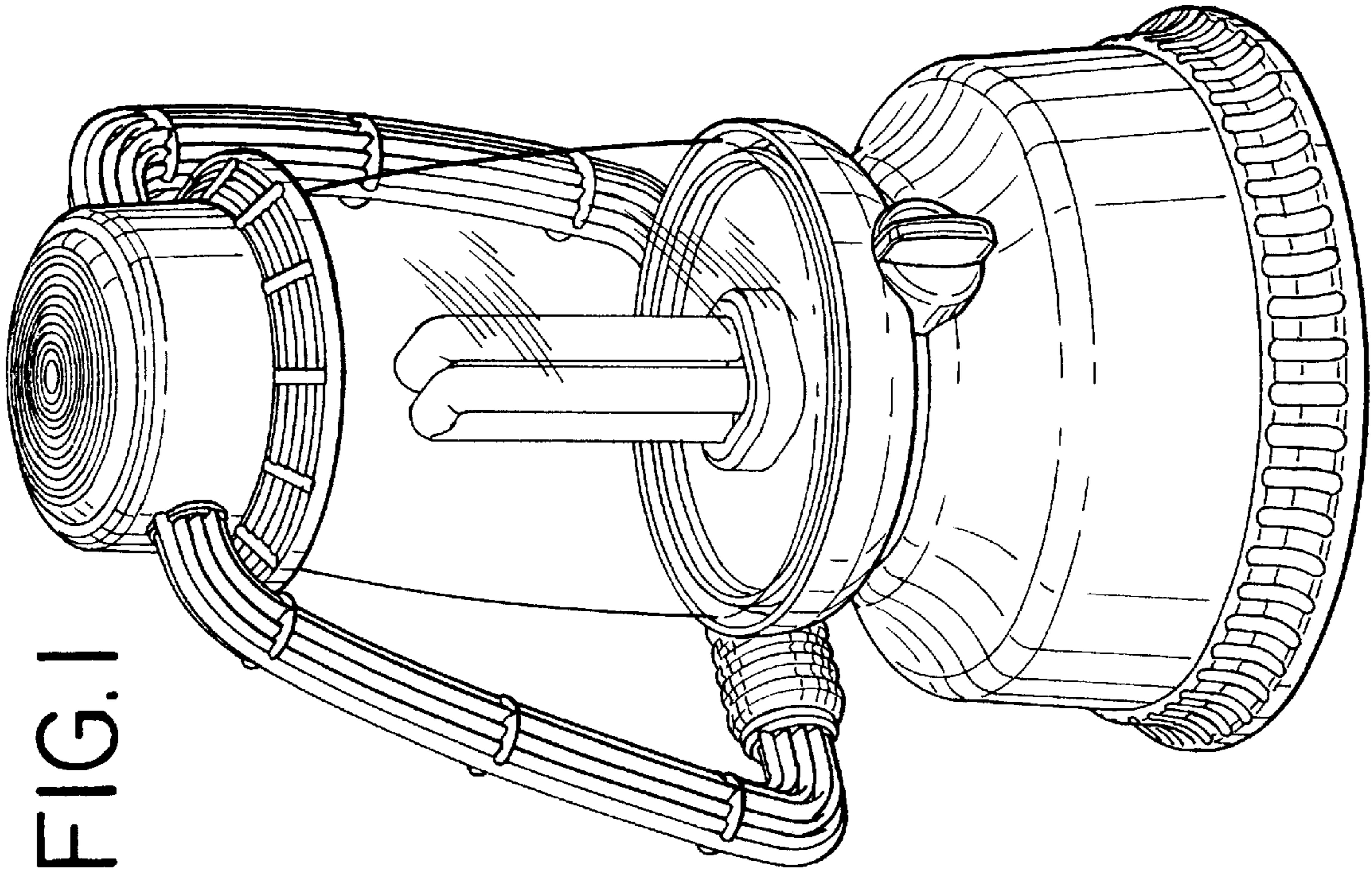


FIG.4

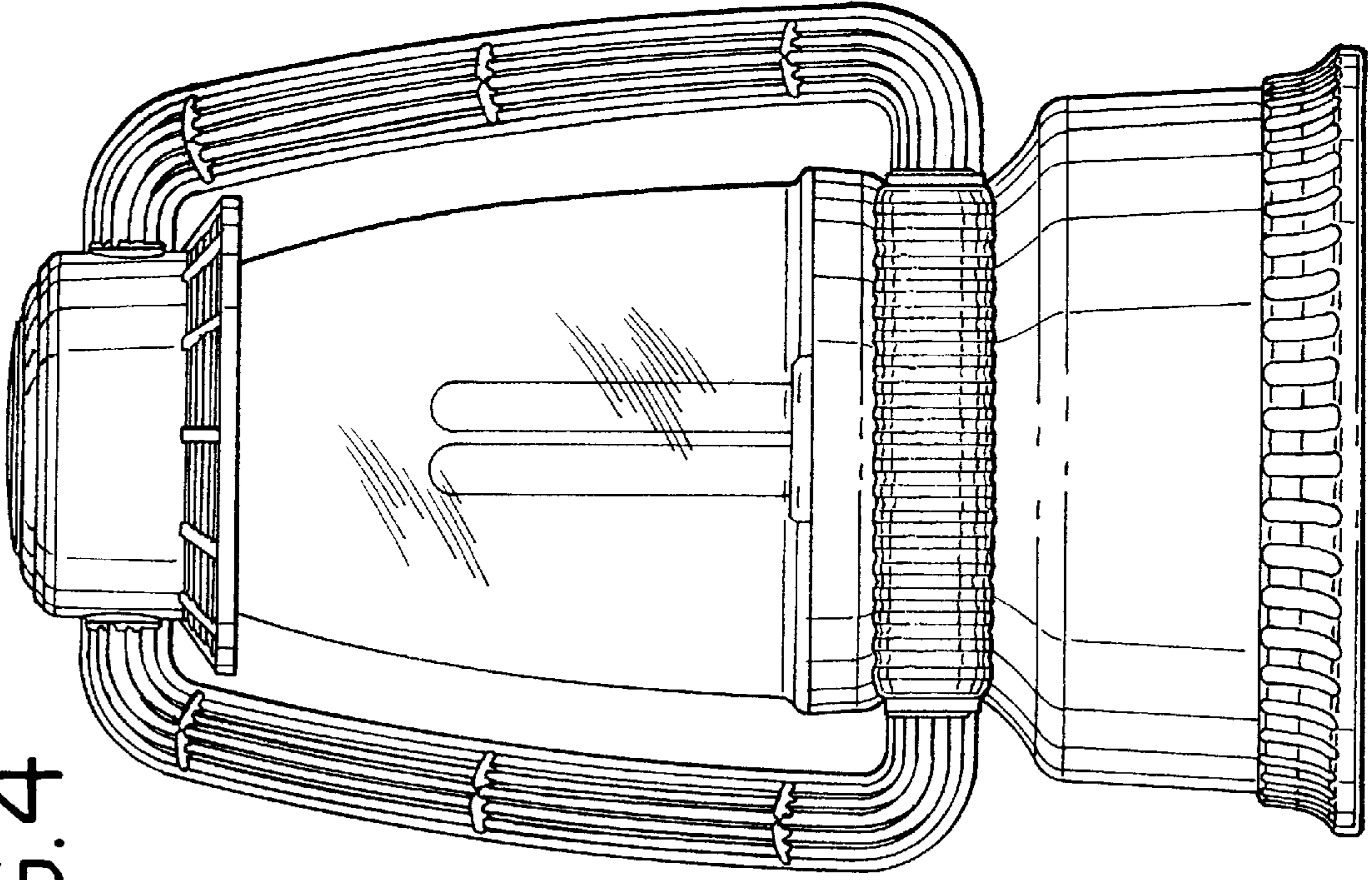


FIG.3

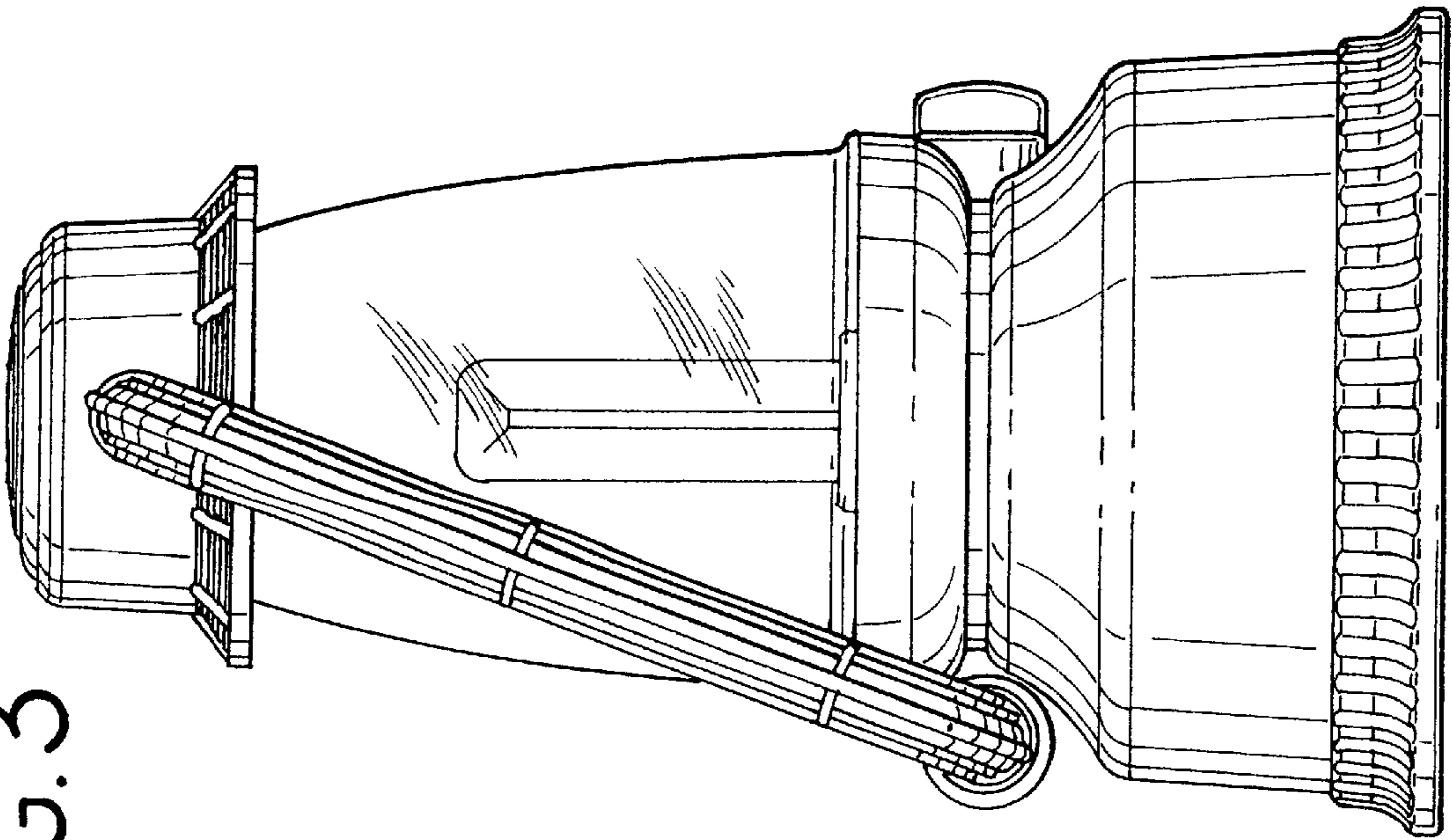


FIG.5

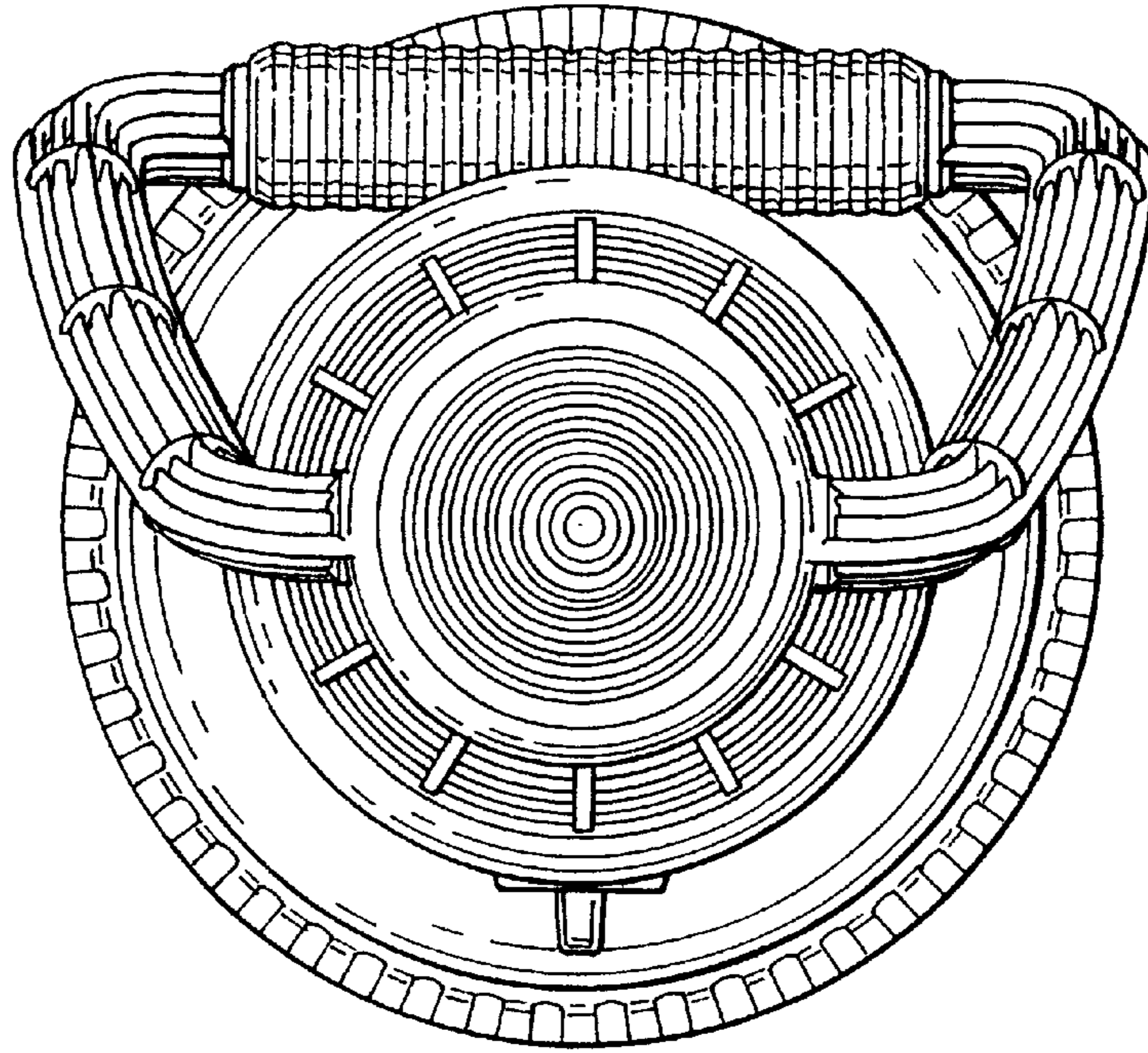


FIG.6

