



US00D486932S

(12) **United States Design Patent**  
**Dario et al.**

(10) **Patent No.:** **US D486,932 S**

(45) **Date of Patent:** **\*\* Feb. 17, 2004**

(54) **LED LANTERN**

(75) Inventors: **Jim Dario**, Cottage Grove, MN (US);  
**Michael Mozzar**, Woodbury, MN (US)

(73) Assignee: **The Sportman's Guide, Inc.**, South St.  
Paul, MN (US)

(\*\*) Term: **14 Years**

(21) Appl. No.: **29/182,377**

(22) Filed: **May 23, 2003**

(51) **LOC (7) Cl.** ..... **26-02**

(52) **U.S. Cl.** ..... **D26/40**

(58) **Field of Search** ..... D26/37-50; 362/157,  
362/158, 171, 172, 173, 183-208

(56) **References Cited**

**U.S. PATENT DOCUMENTS**

D429,354 S \* 8/2000 Petterson ..... D26/40  
D433,762 S \* 11/2000 Yuen ..... D26/40  
D434,163 S \* 11/2000 Lee ..... D26/40

D443,088 S \* 5/2001 Skidmore et al. .... D26/40

D468,039 S \* 12/2002 Poon ..... D26/40

D474,553 S \* 5/2003 Poon ..... D26/40

\* cited by examiner

*Primary Examiner*—Marcus A. Jackson

(74) *Attorney, Agent, or Firm*—Dinsmore & Shohl LLP

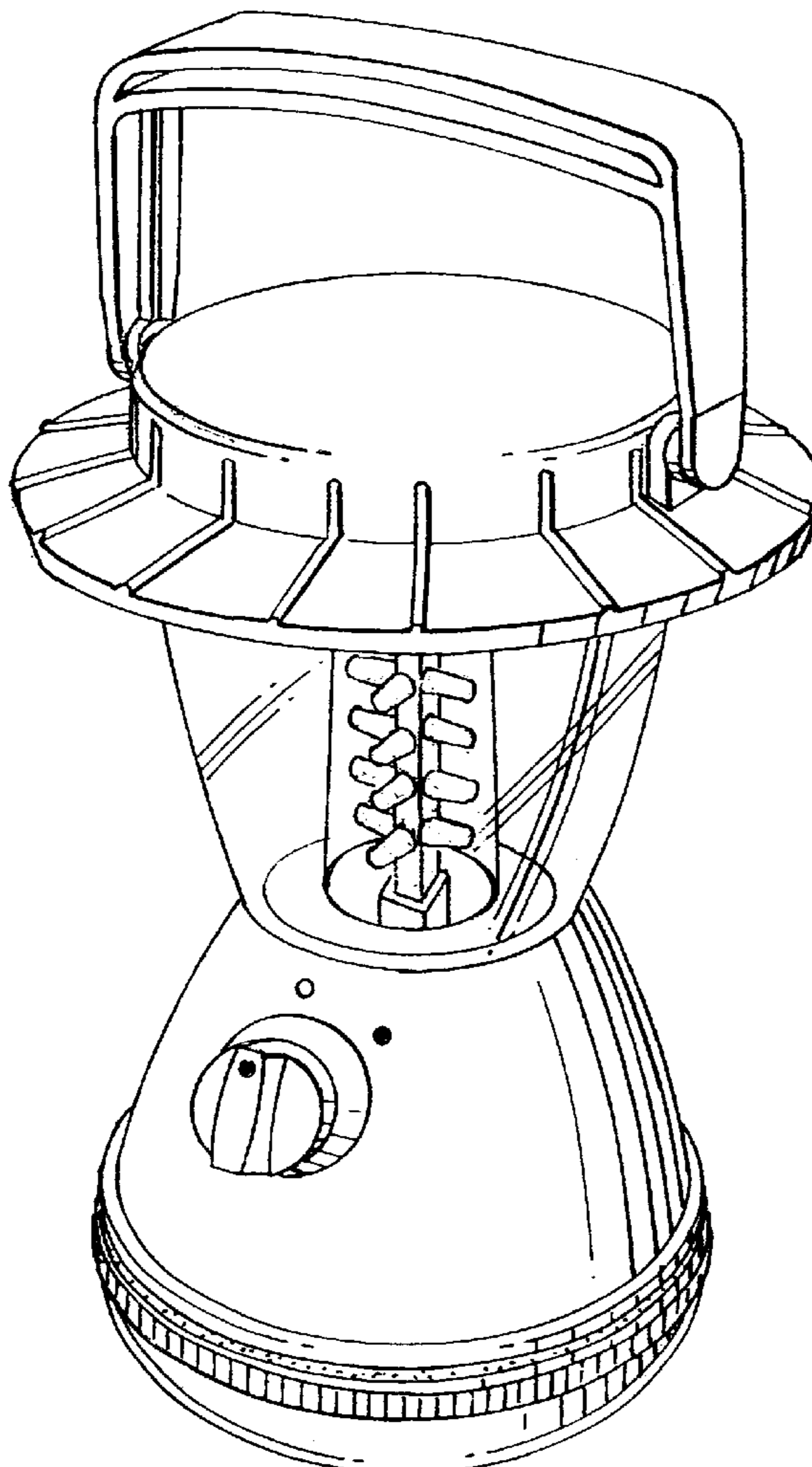
(57) **CLAIM**

The ornamental design for a LED lantern, as shown and described.

**DESCRIPTION**

FIG. 1 is top front perspective view of a LED lantern design according to a first embodiment of the present invention; FIG. 2 is back bottom perspective view thereof; FIG. 3 is a top plan view thereof; FIG. 4 is a bottom plan view thereof; FIG. 5 is a front plan view thereof; FIG. 6 is a back plan view thereof; FIG. 7 is a left side plan view thereof; and, FIG. 8 is a right side plan view thereof.

**1 Claim, 2 Drawing Sheets**



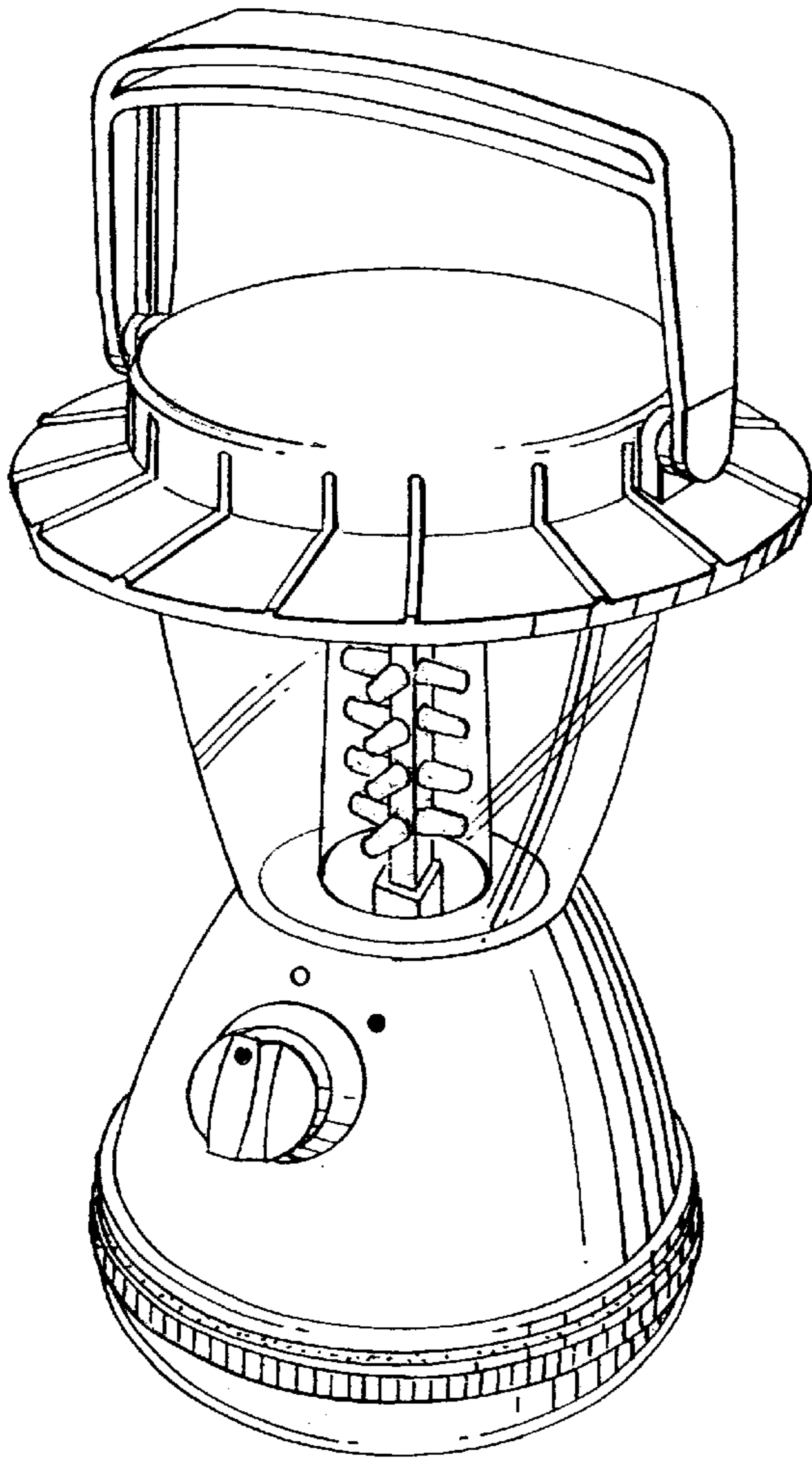


FIG. 1

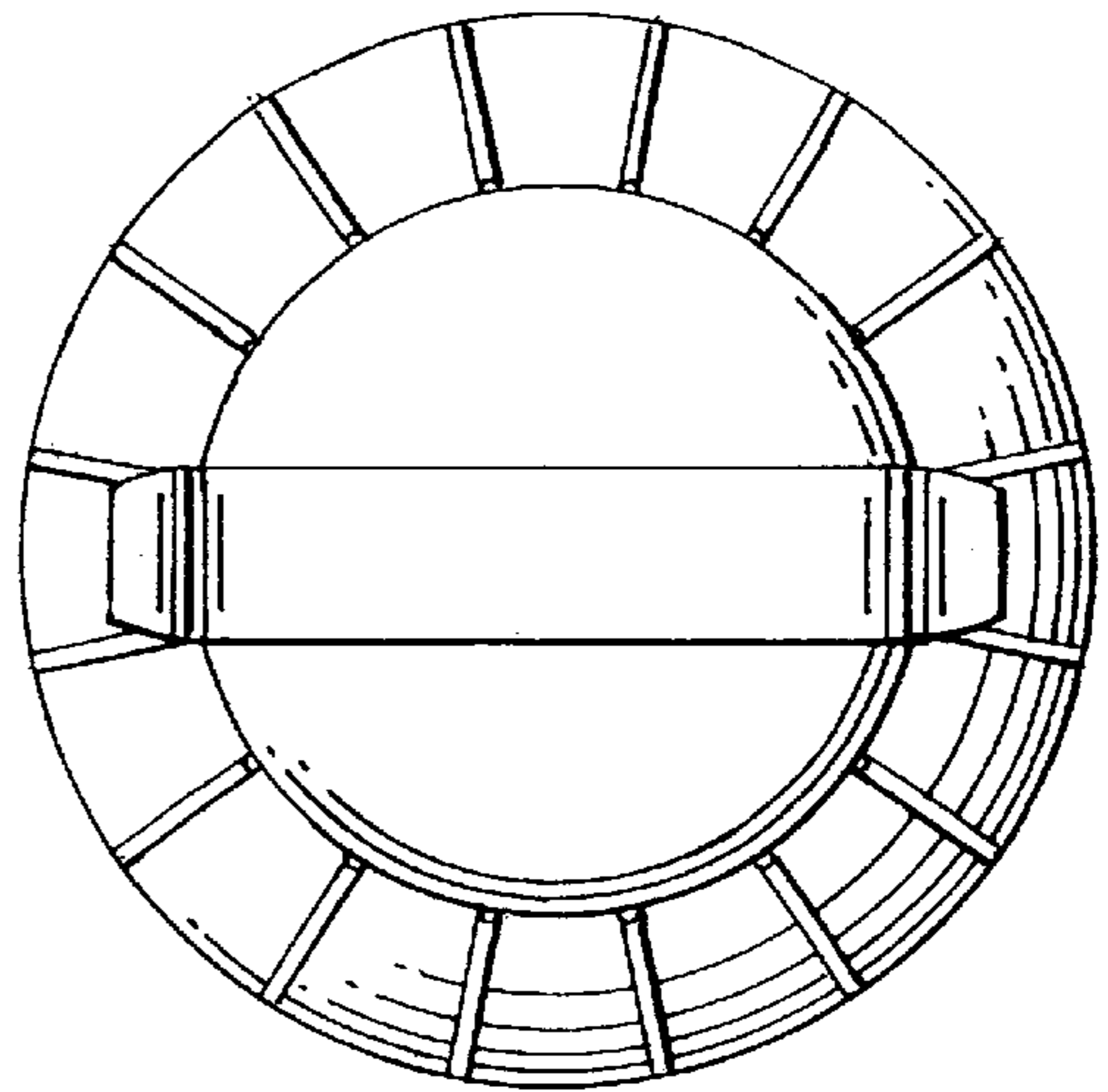


FIG. 3

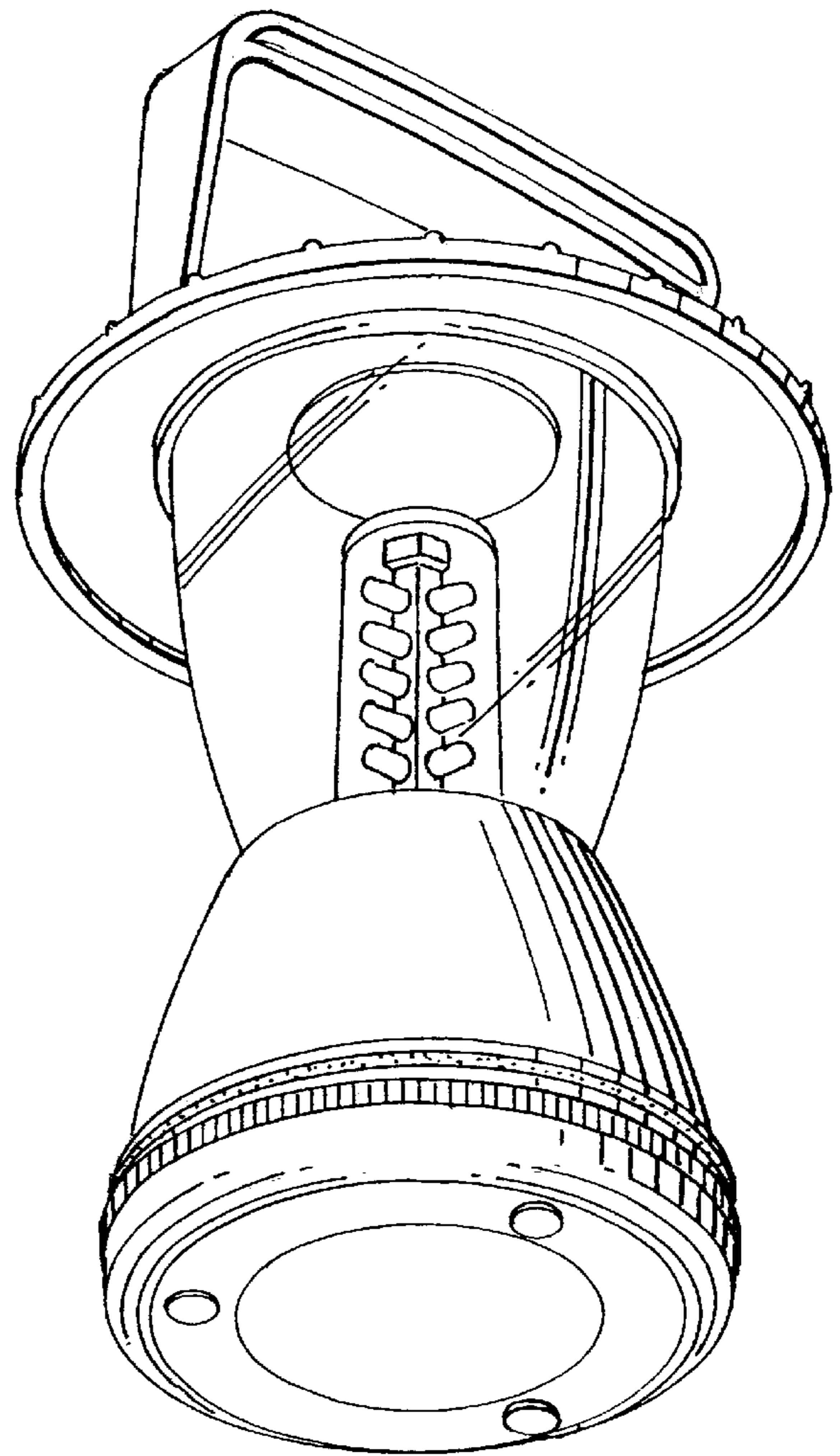


FIG. 2

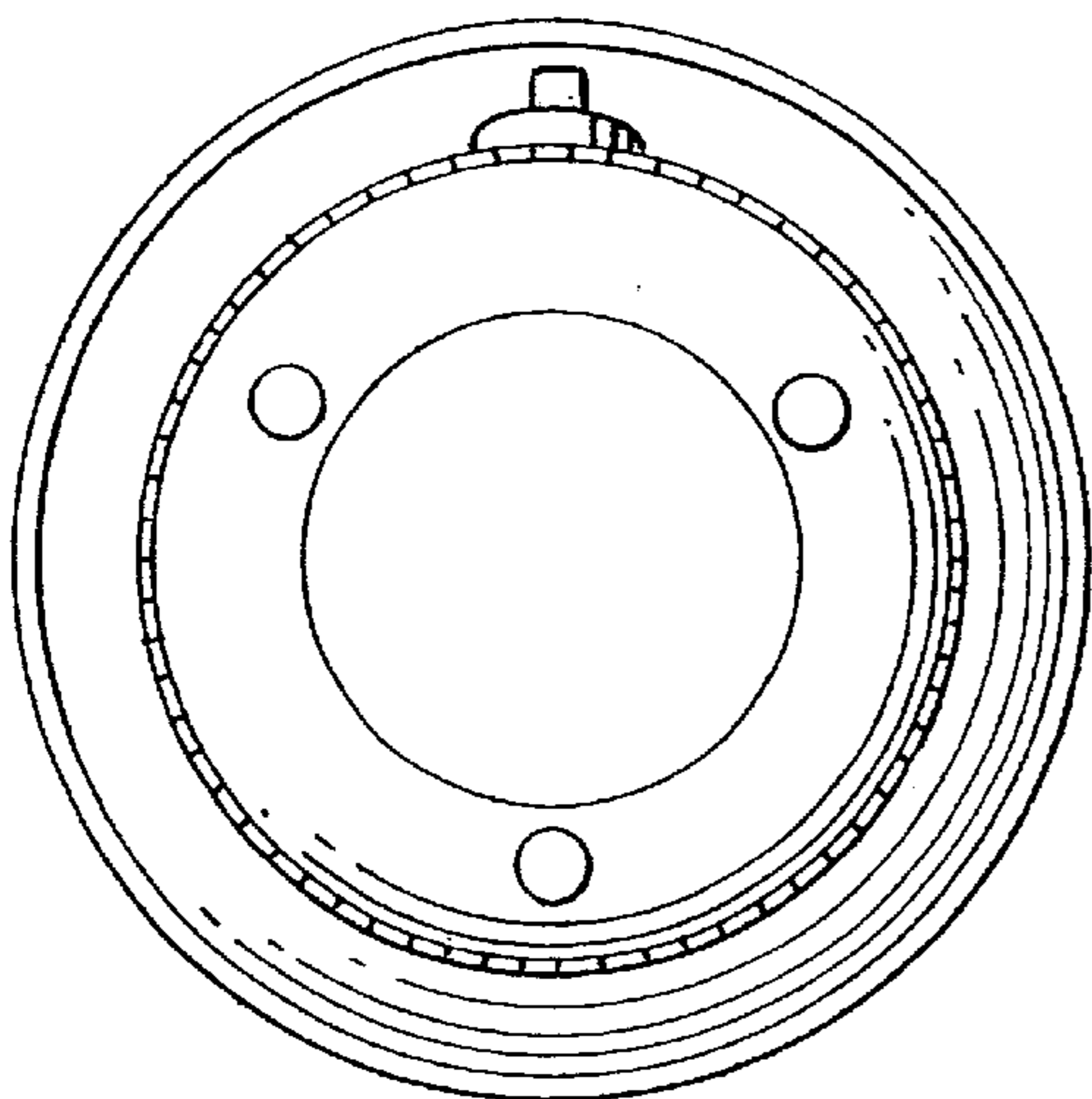


FIG. 4

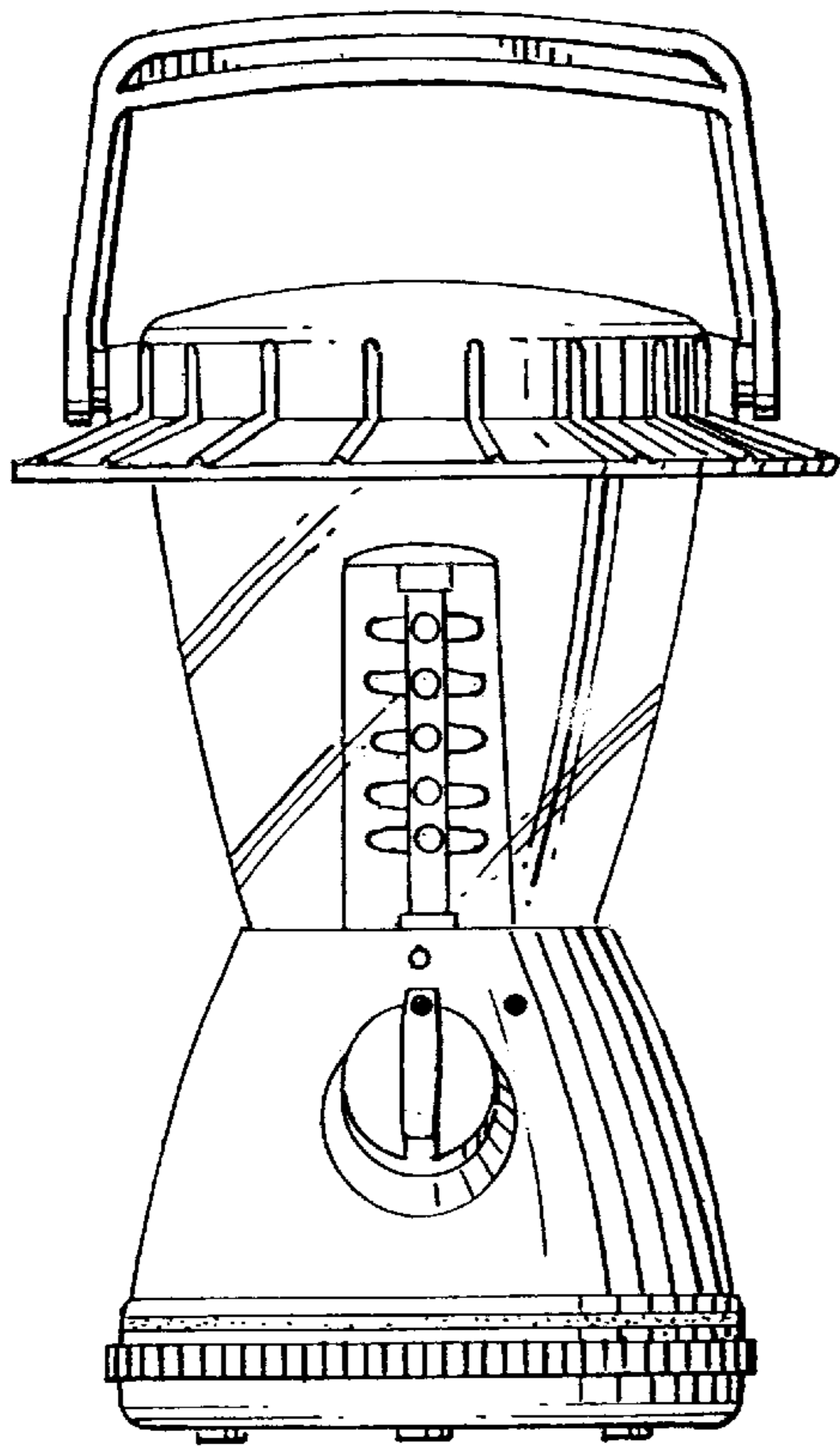


FIG. 5

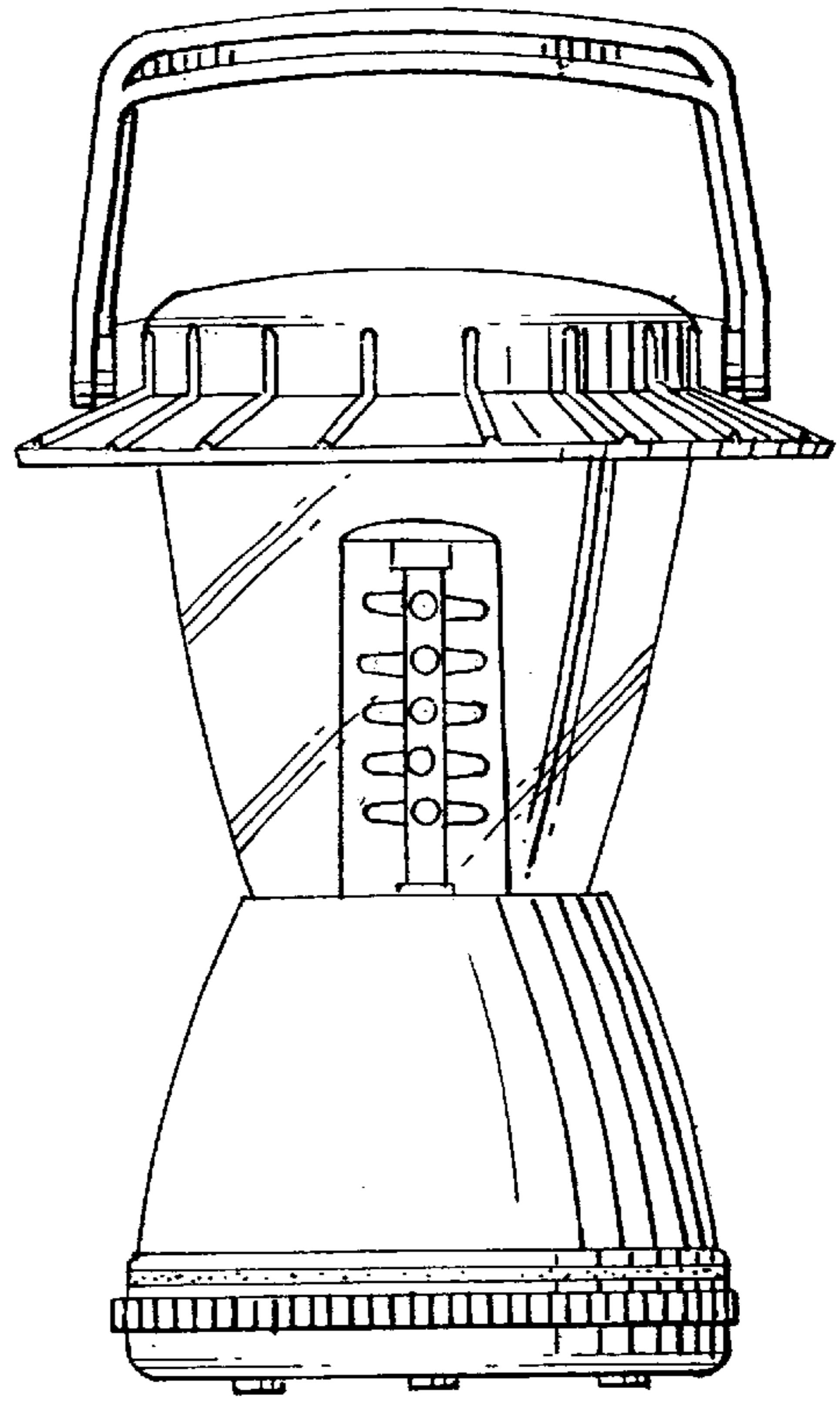


FIG. 6

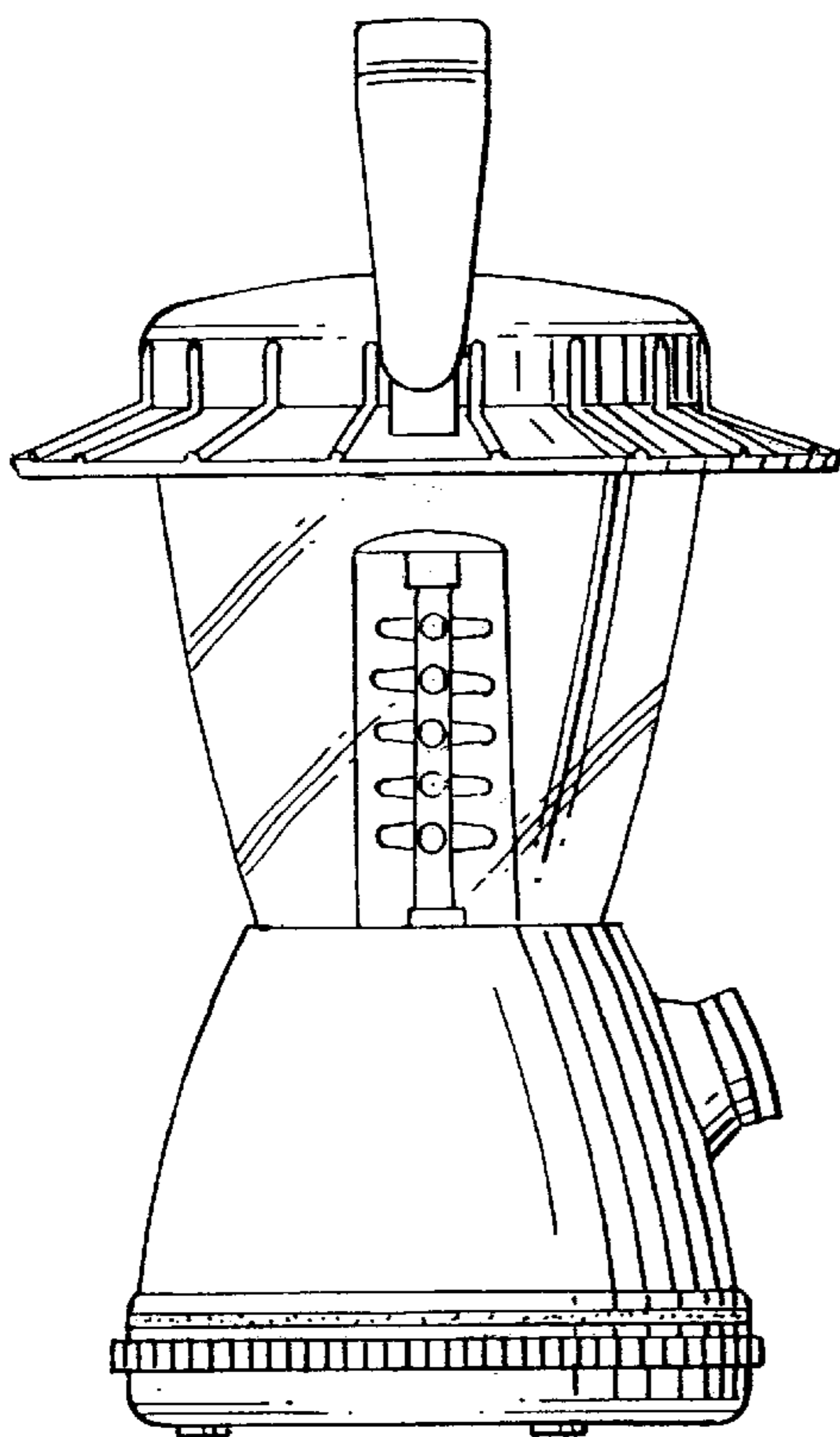


FIG. 7

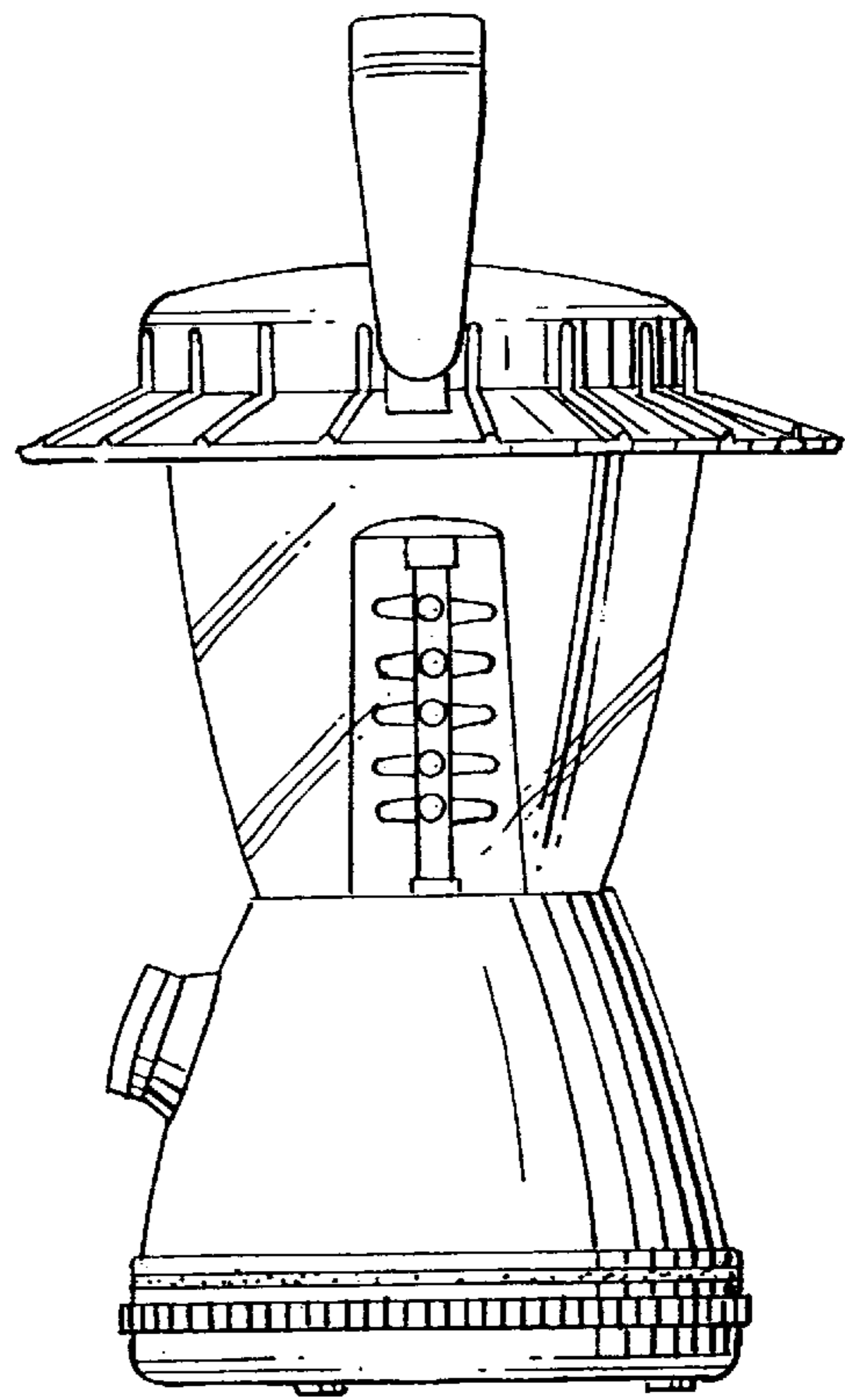


FIG. 8

UNITED STATES PATENT AND TRADEMARK OFFICE  
**CERTIFICATE OF CORRECTION**

PATENT NO. : Des. 486,932 S  
DATED : February 17, 2004  
INVENTOR(S) : Dario et al.

Page 1 of 1

It is certified that error appears in the above-identified patent and that said Letters Patent is hereby corrected as shown below:

Title page.

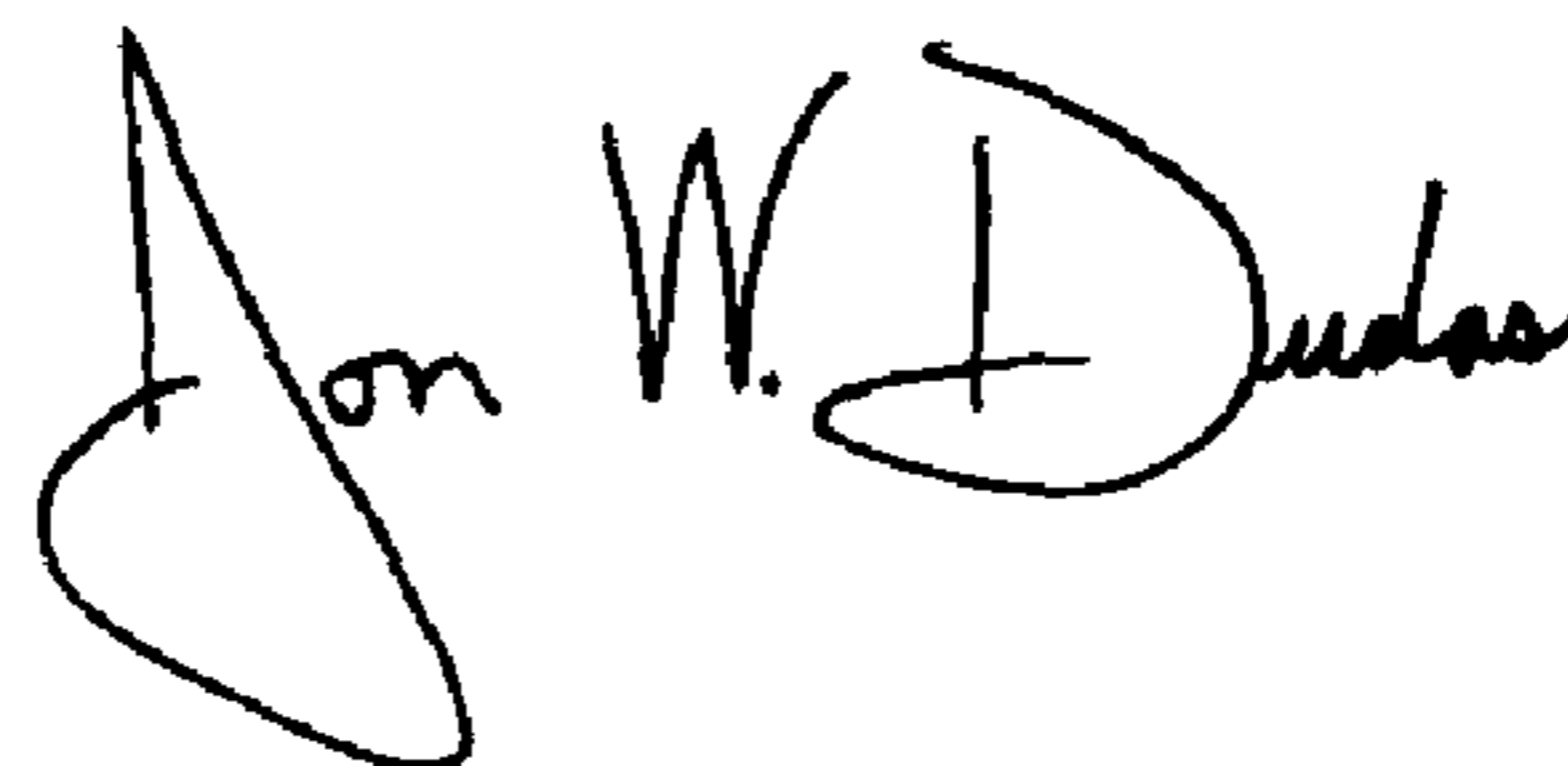
Item [56], **References Cited**, U.S. PATENT DOCUMENTS, should read:

-- U.S. PATENT DOCUMENTS

D.421,660	03/2000	Shing.....D26/40
D.462,469 S	09/2002	Poon.....D26/37 --

Signed and Sealed this

Sixth Day of July, 2004



JON W. DUDAS

*Acting Director of the United States Patent and Trademark Office*