



US00D486931S

(12) **United States Design Patent**
Lee

(10) **Patent No.:** **US D486,931 S**

(45) **Date of Patent:** **** Feb. 17, 2004**

(54) **DYNAMO RECHARGEABLE CAMPING LANTERN WITH RADIO**

D474,553 S * 5/2003 Poon D26/40

* cited by examiner

(75) Inventor: **Kenneth Lee**, New Territories (CN)

Primary Examiner—Marcus A. Jackson

(73) Assignee: **Ten Forward Limited**, Kwai Chung (CN)

(74) *Attorney, Agent, or Firm*—Alix, Yale & Ristas, LLP

(**) Term: **14 Years**

(57) **CLAIM**

(21) Appl. No.: **29/182,194**

The ornamental design for a dynamo rechargeable camping lantern with radio, as shown and described.

(22) Filed: **May 20, 2003**

DESCRIPTION

(30) **Foreign Application Priority Data**

Dec. 3, 2002 (HK) 0211982

FIG. 1 is a front elevational view of a dynamo rechargeable camping lantern with radio showing my new design;

(51) **LOC (7) Cl.** **26-02**

FIG. 2 is a top plan view thereof;

(52) **U.S. Cl.** **D26/38**

FIG. 3 is a left side elevational view thereof;

(58) **Field of Search** D26/37-50; 362/157, 362/158, 171, 172, 173, 183-208

FIG. 4 is a right side elevational view thereof;

FIG. 5 is a rear elevational view thereof;

FIG. 6 is a bottom plan view thereof; and,

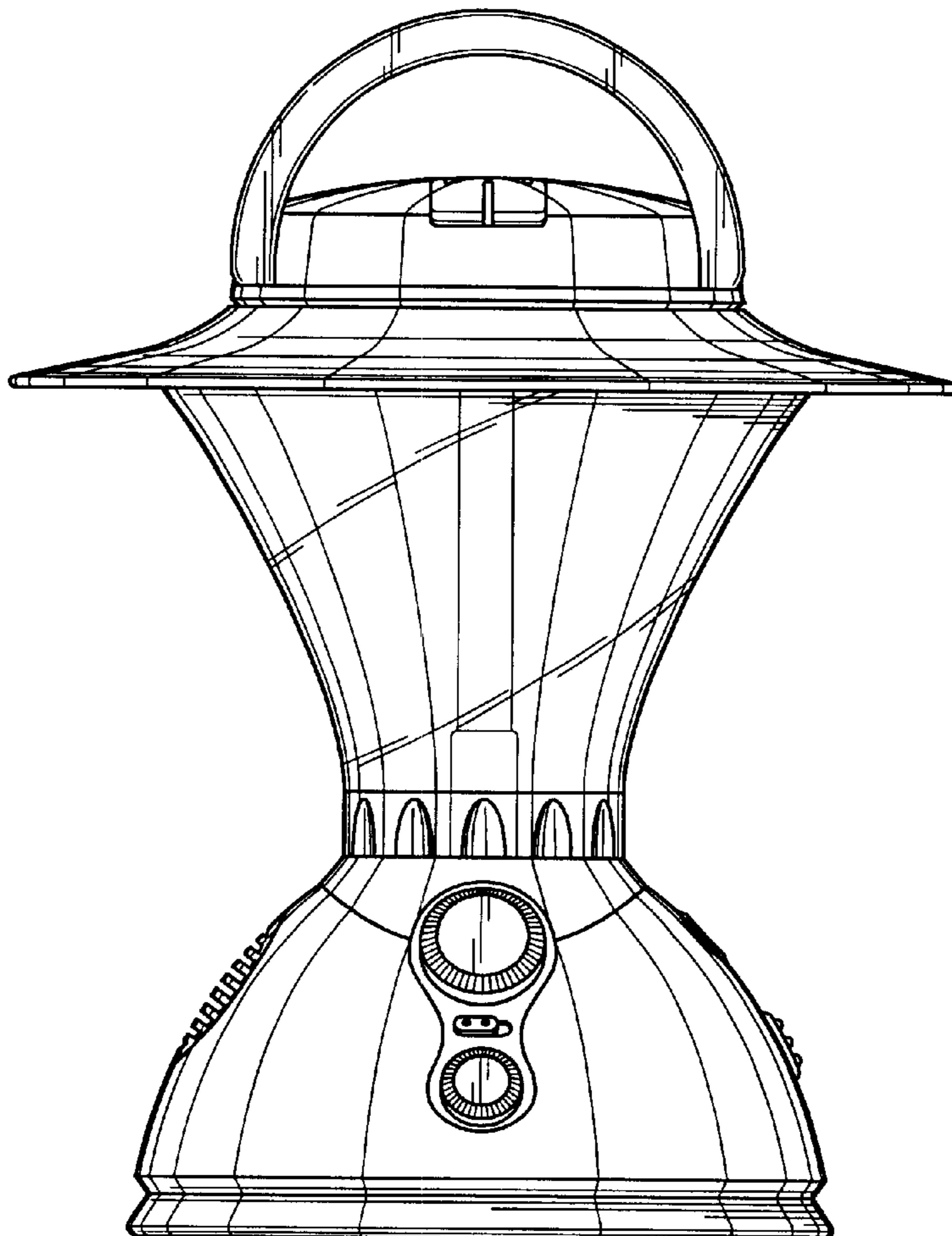
FIG. 7 is a right side view with a hand crank in an extended position thereof.

(56) **References Cited**

U.S. PATENT DOCUMENTS

D469,199 S * 1/2003 Krieger et al. D26/40

1 Claim, 5 Drawing Sheets



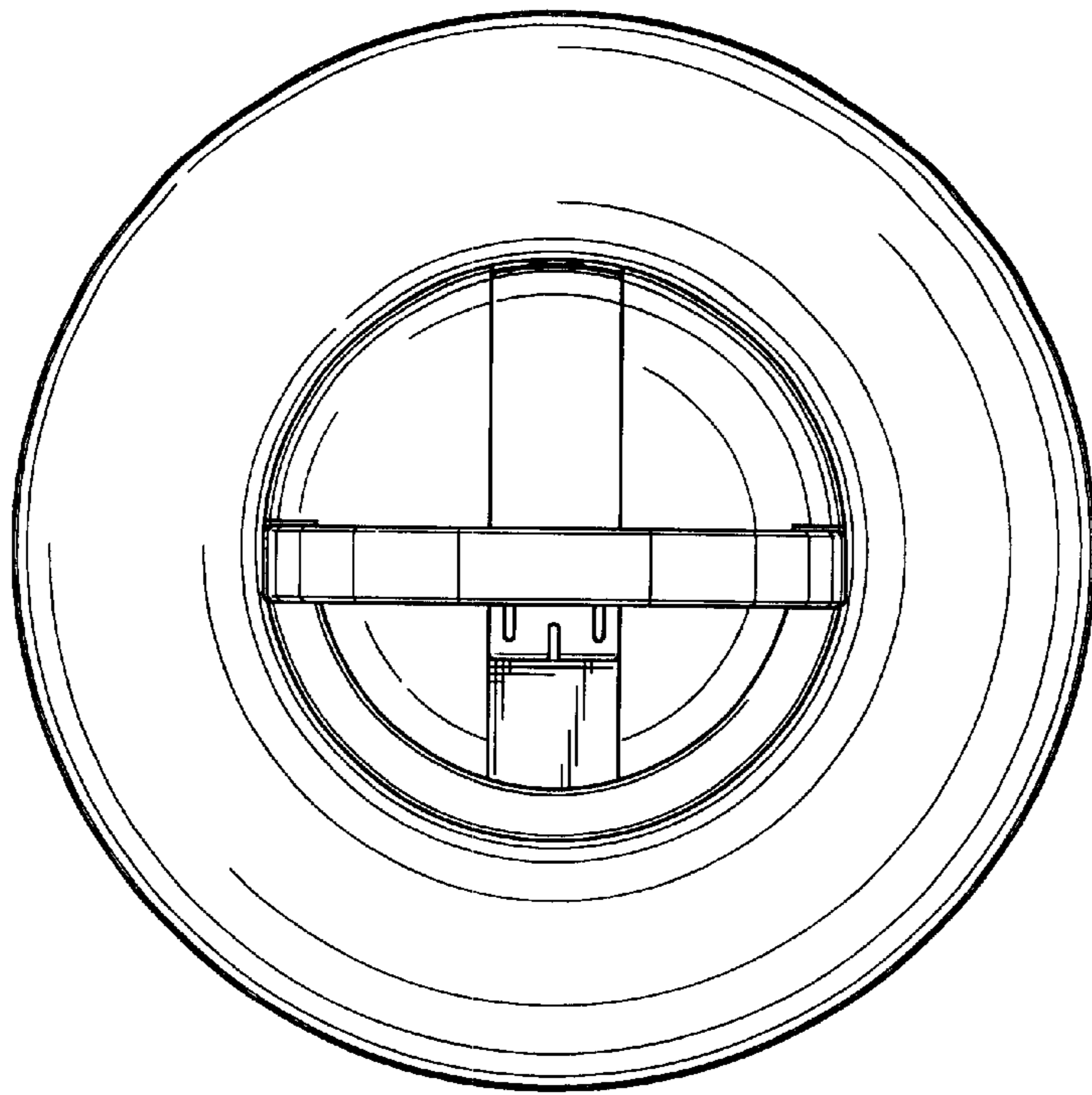


FIG. 2

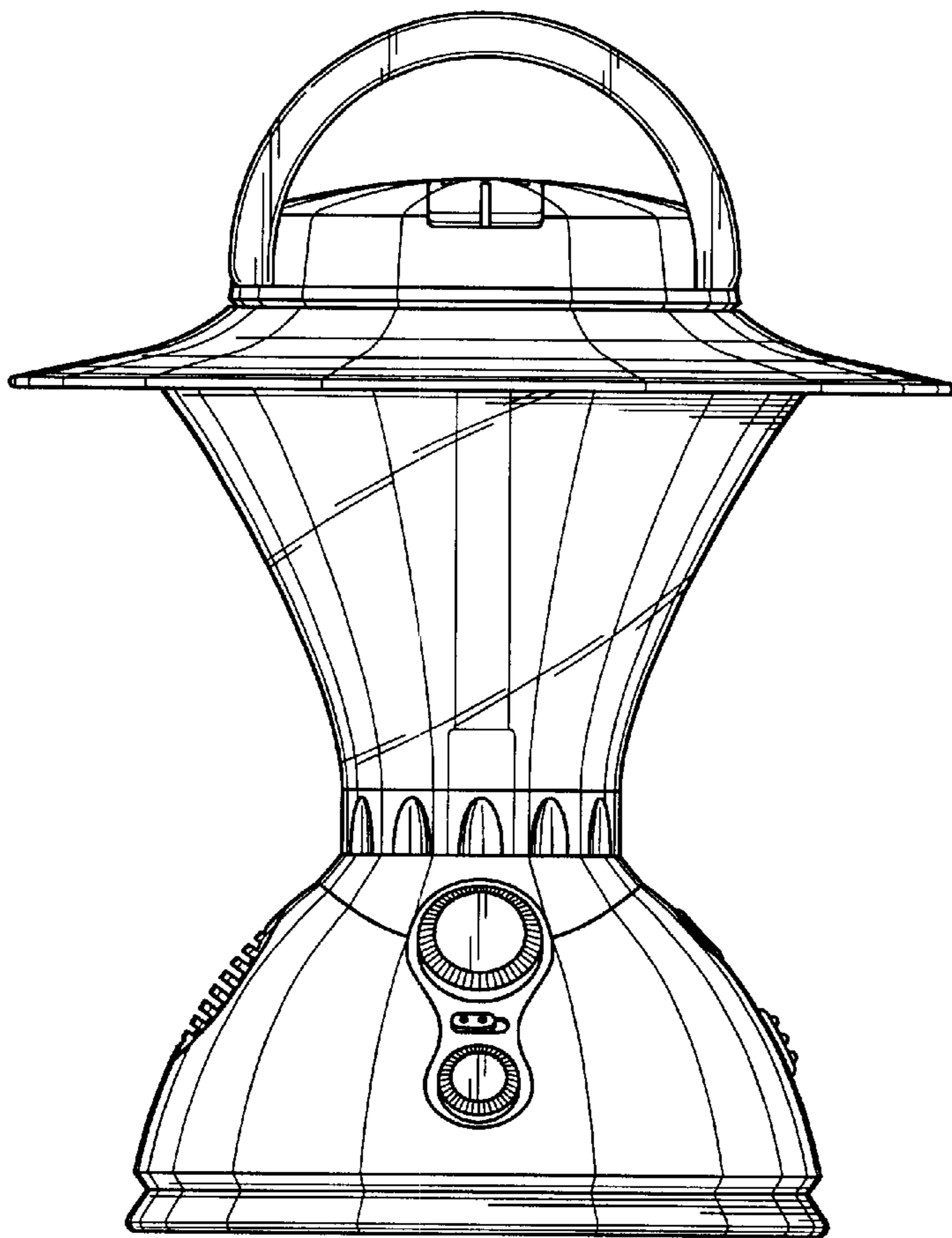


FIG. 1

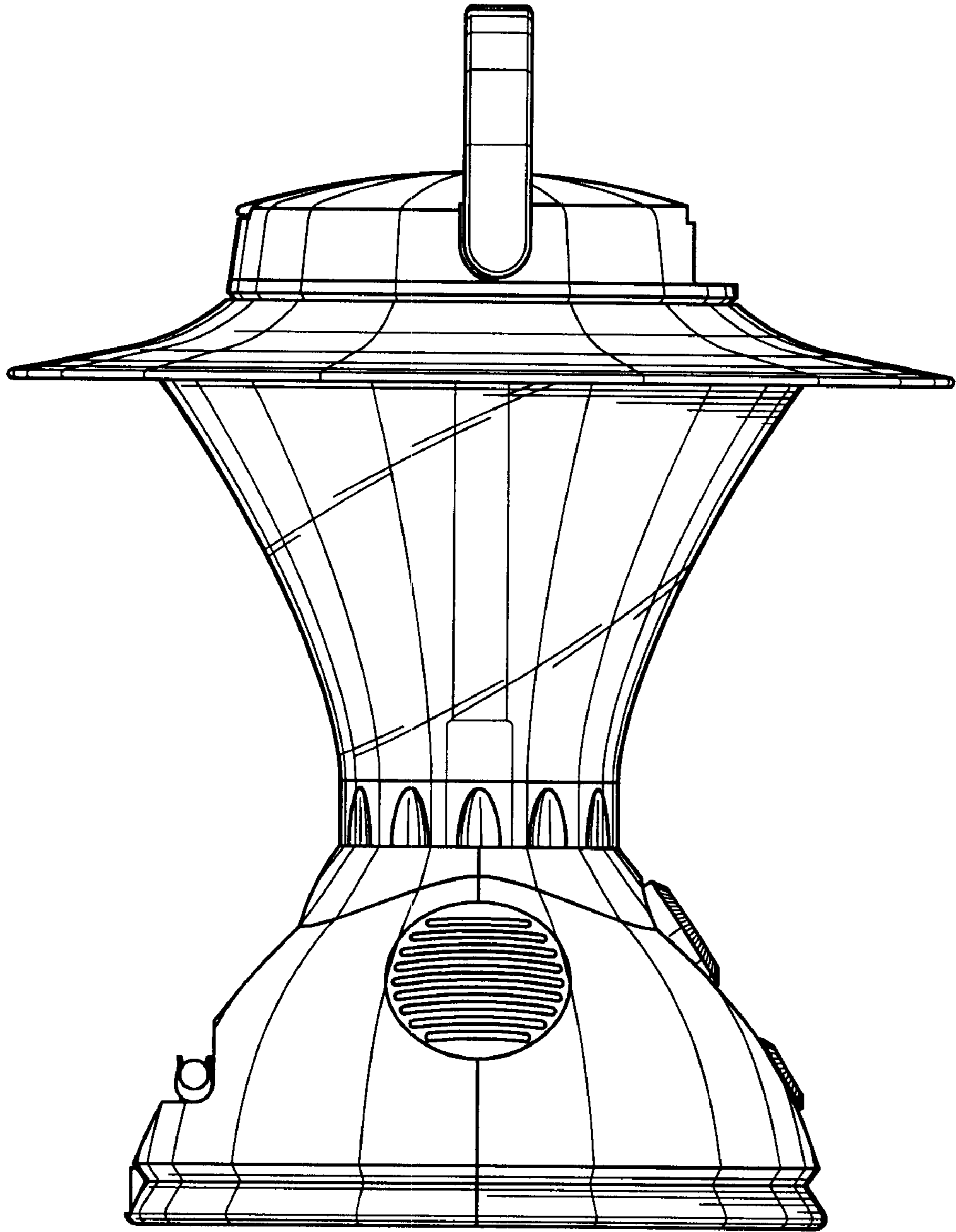


FIG. 3

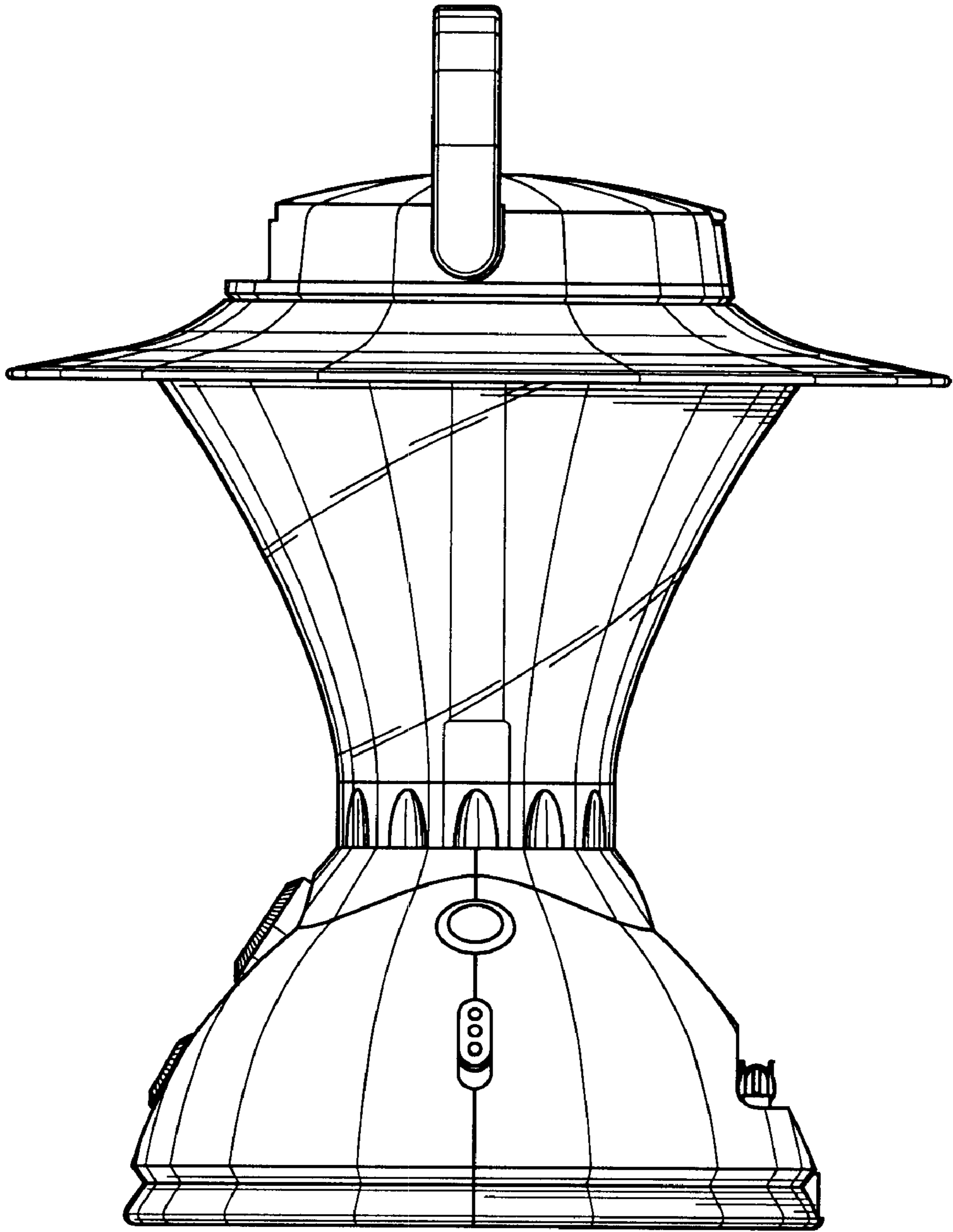


FIG. 4

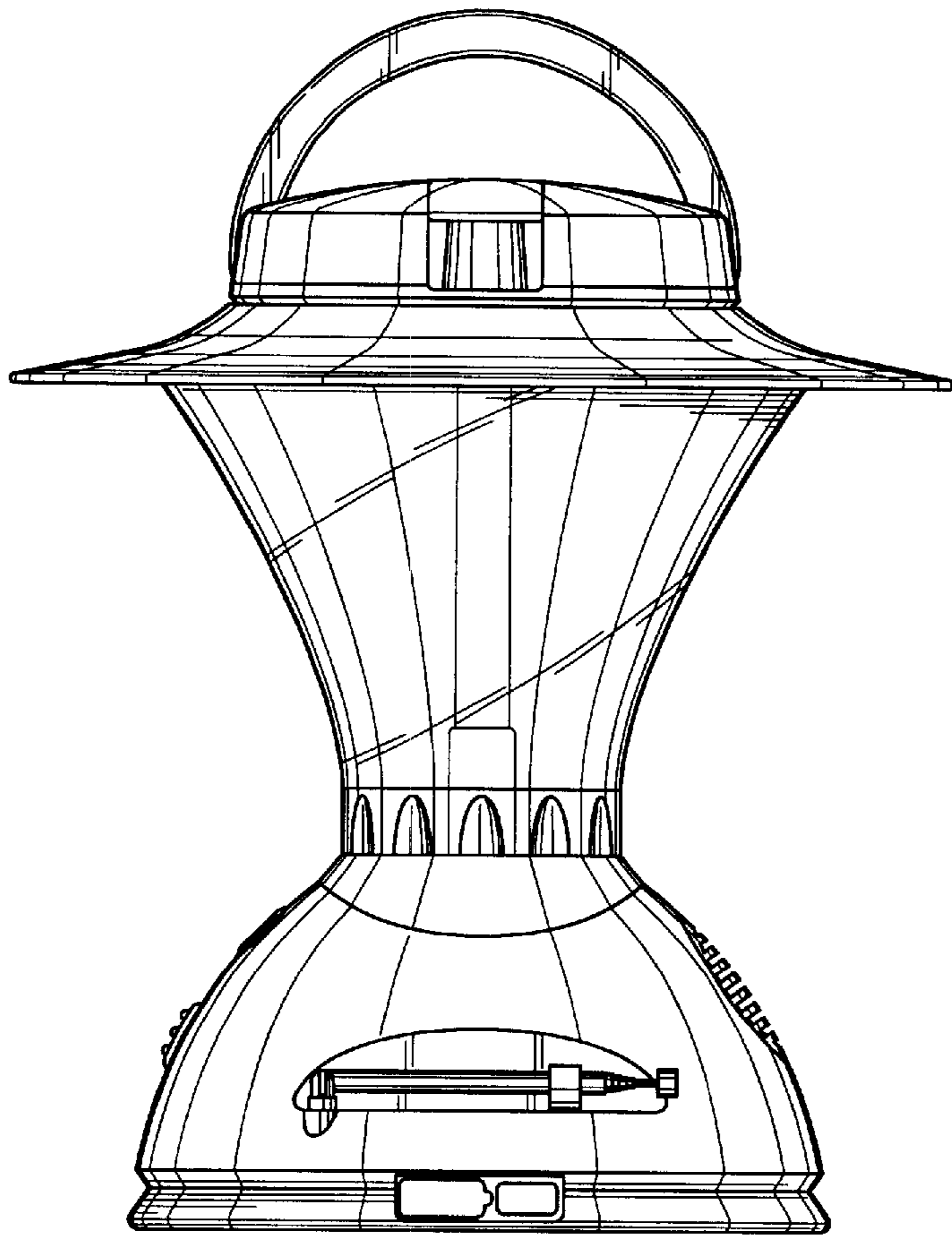


FIG. 5

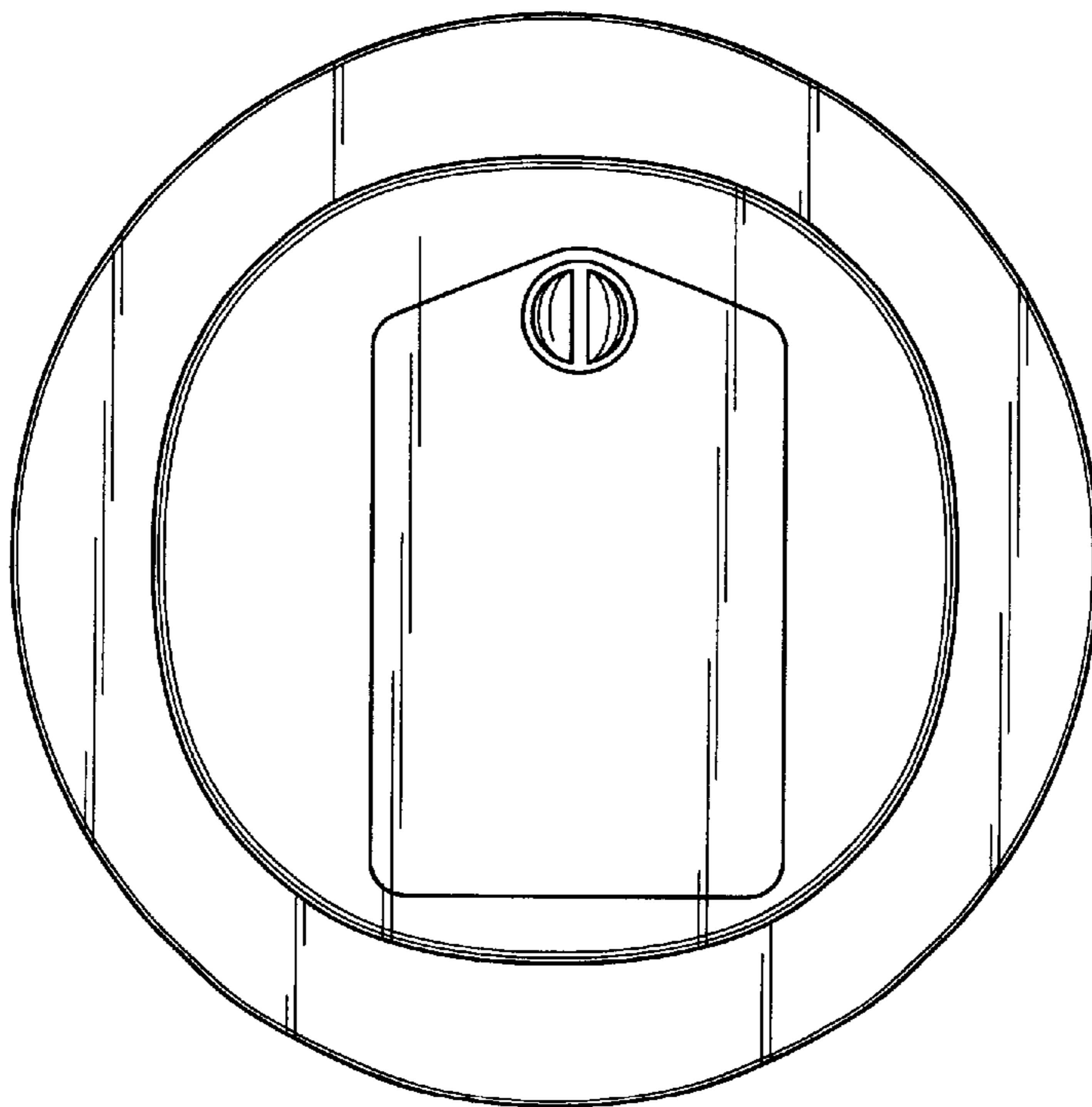


FIG. 6

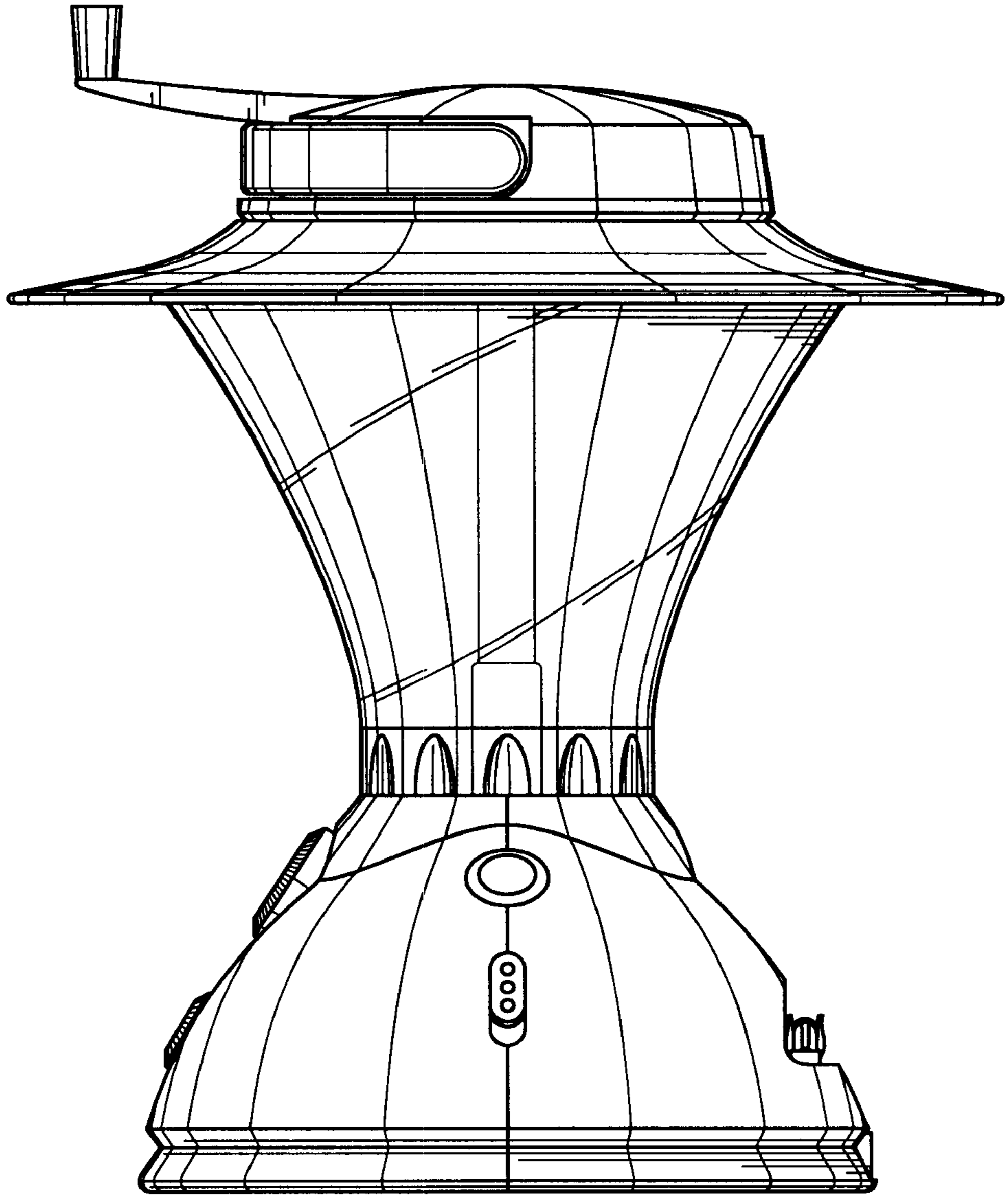


FIG. 7