



US00D486928S

(12) **United States Design Patent**  
**Li**

(10) **Patent No.:** **US D486,928 S**

(45) **Date of Patent:** **\*\* Feb. 17, 2004**

(54) **AUTOMOBILE LIGHT**

D477,101 S \* 7/2003 Horowitz ..... D26/28

(75) Inventor: **Jung-Tuam Li**, Tainan Hsien (TW)

\* cited by examiner

(73) Assignee: **TYC Brother Industrial Co., Ltd.**,  
Tainan (TW)

*Primary Examiner*—Marcus A. Jackson

(74) *Attorney, Agent, or Firm*—Fitzpatrick, Cella, Harper &  
Scinto

(\*\*) Term: **14 Years**

(57) **CLAIM**

(21) Appl. No.: **29/180,010**

The ornamental design for automobile light, as shown and  
described.

(22) Filed: **Apr. 18, 2003**

**DESCRIPTION**

(51) **LOC (7) Cl.** ..... **26-06**

(52) **U.S. Cl.** ..... **D26/28**

(58) **Field of Search** ..... D26/28-36; 362/61,  
362/80, 81, 82, 83, 83.4, 267, 269, 275,  
330-340

FIG. 1 is a perspective view of automobile light showing my  
new design;  
FIG. 2 is a front elevational view thereof;  
FIG. 3 is a rear elevational view thereof;  
FIG. 4 is a left side elevational view thereof;  
FIG. 5 is a right side elevational view thereof;  
FIG. 6 is a top plan view thereof; and,  
FIG. 7 is a bottom plan view thereof.

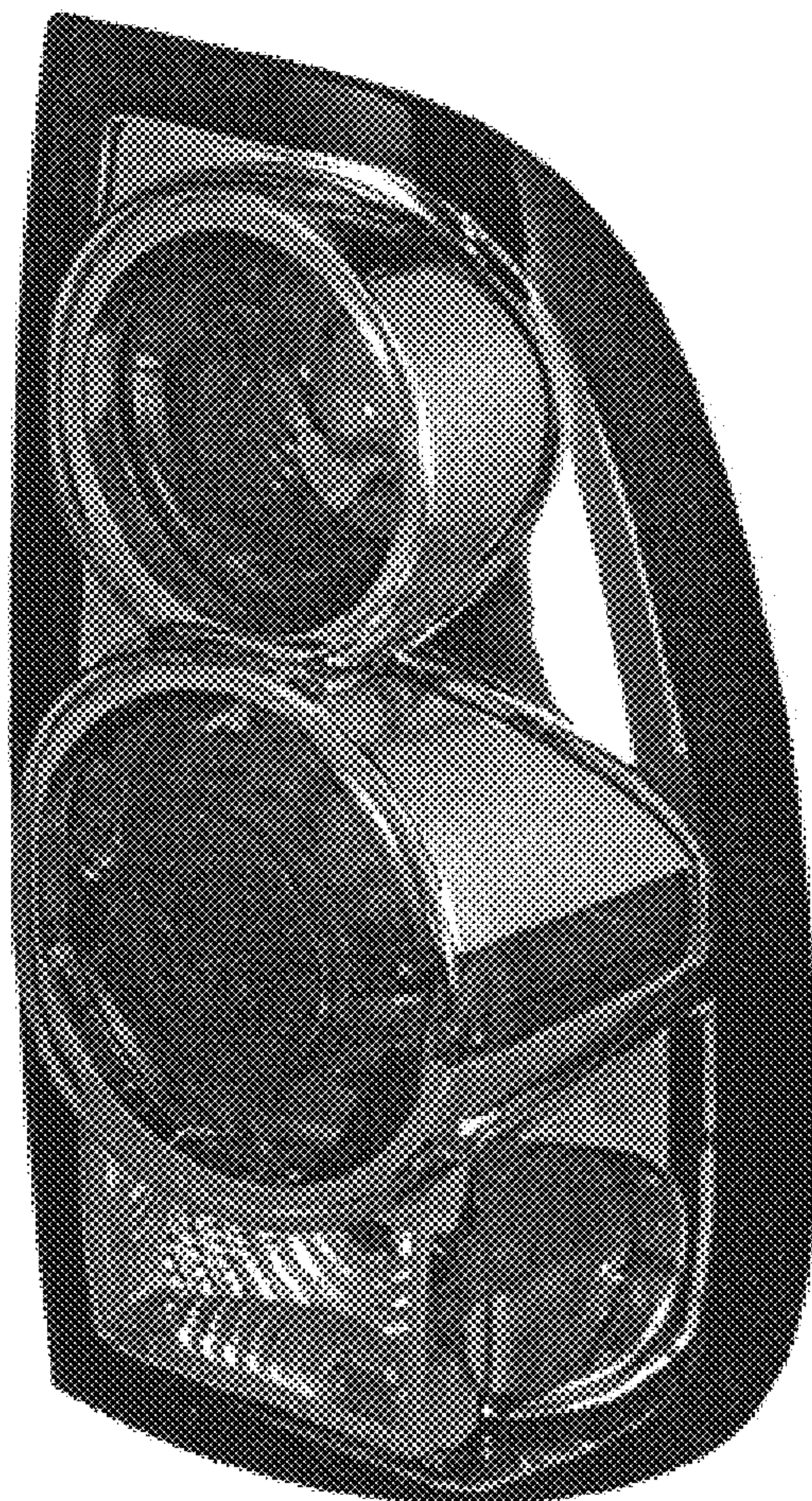
(56) **References Cited**

**U.S. PATENT DOCUMENTS**

D472,990 S \* 4/2003 Horowitz ..... D26/28

D475,474 S \* 6/2003 Hsieh et al. .... D26/28

**1 Claim, 4 Drawing Sheets**





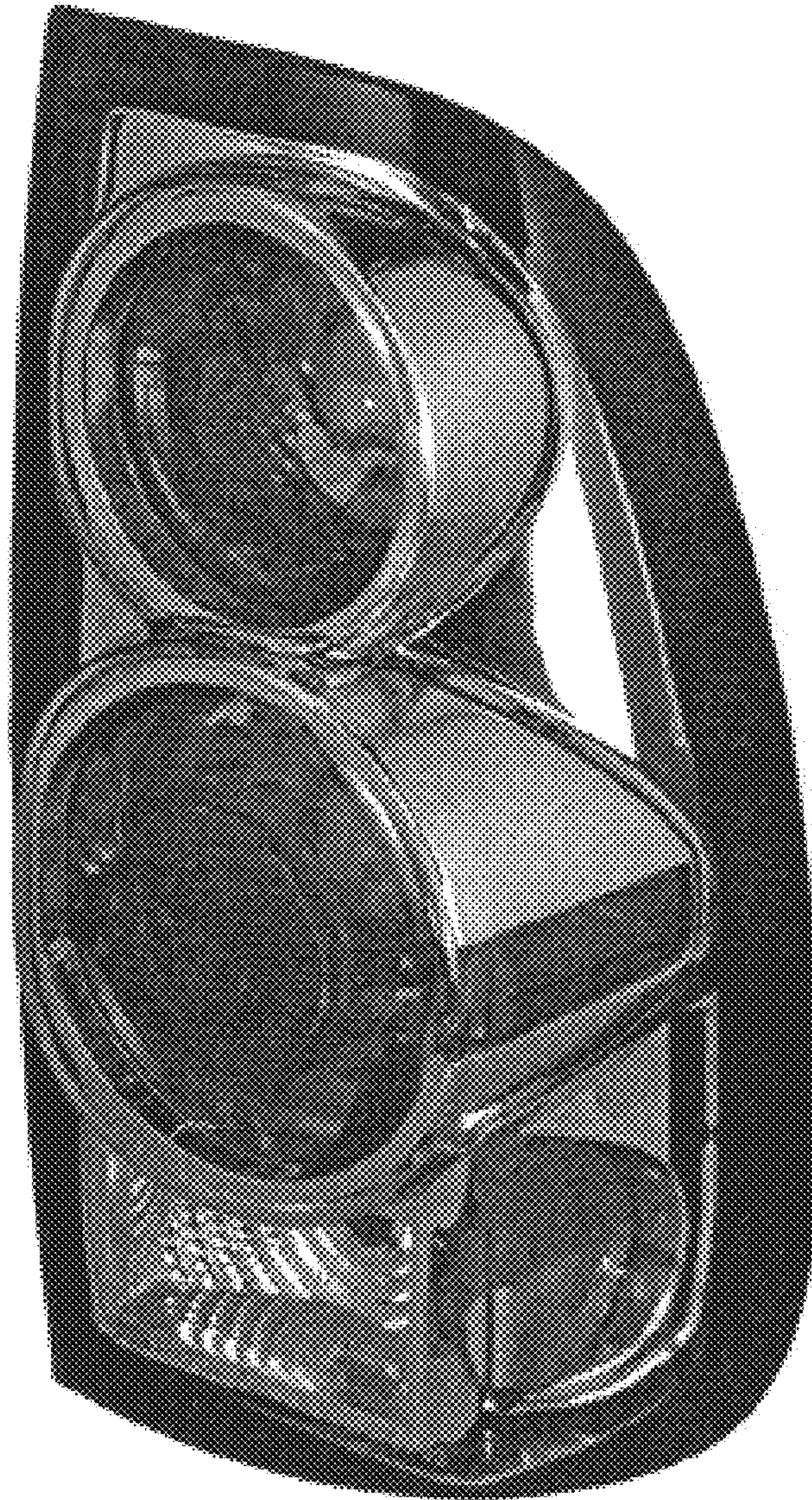


FIG. 1



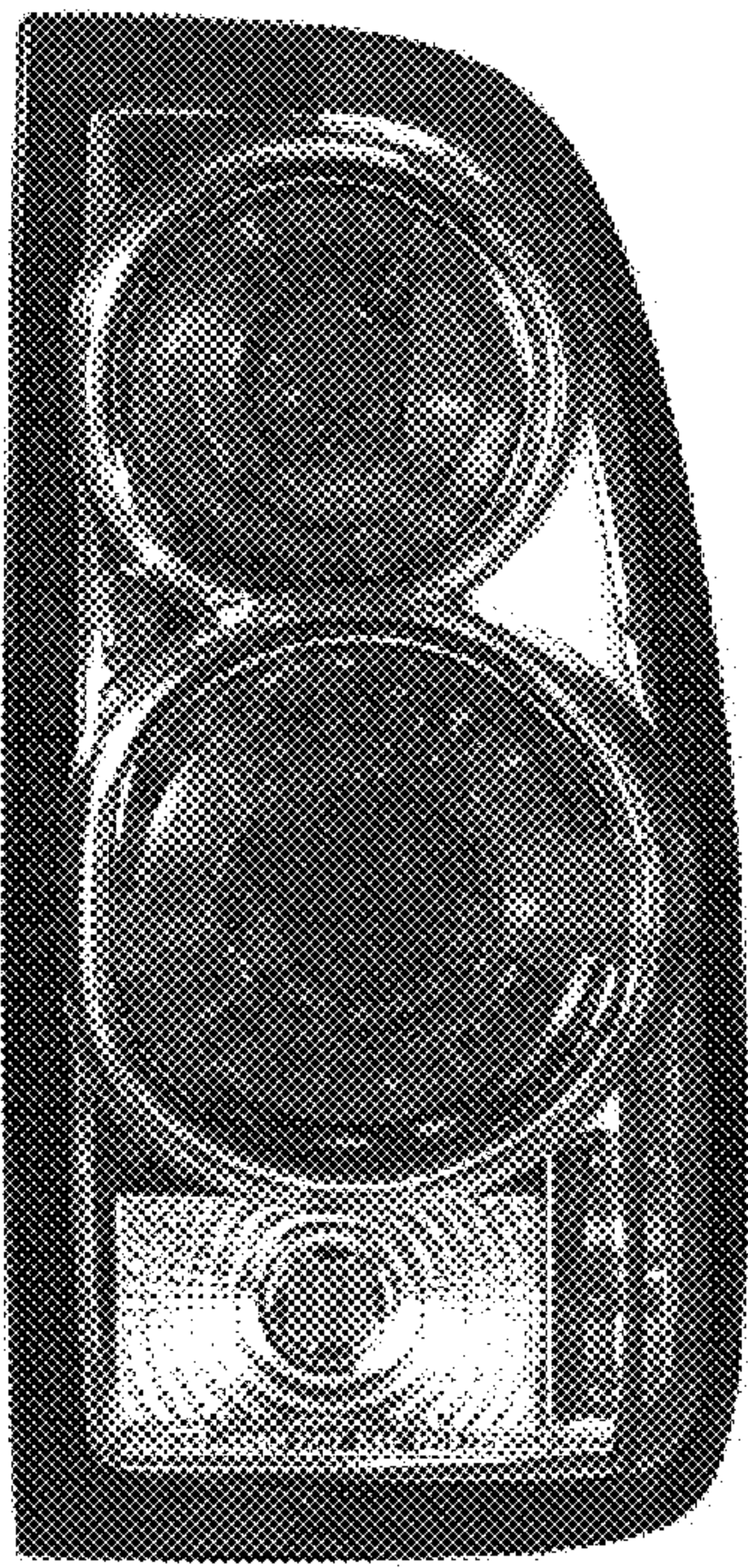


FIG. 2

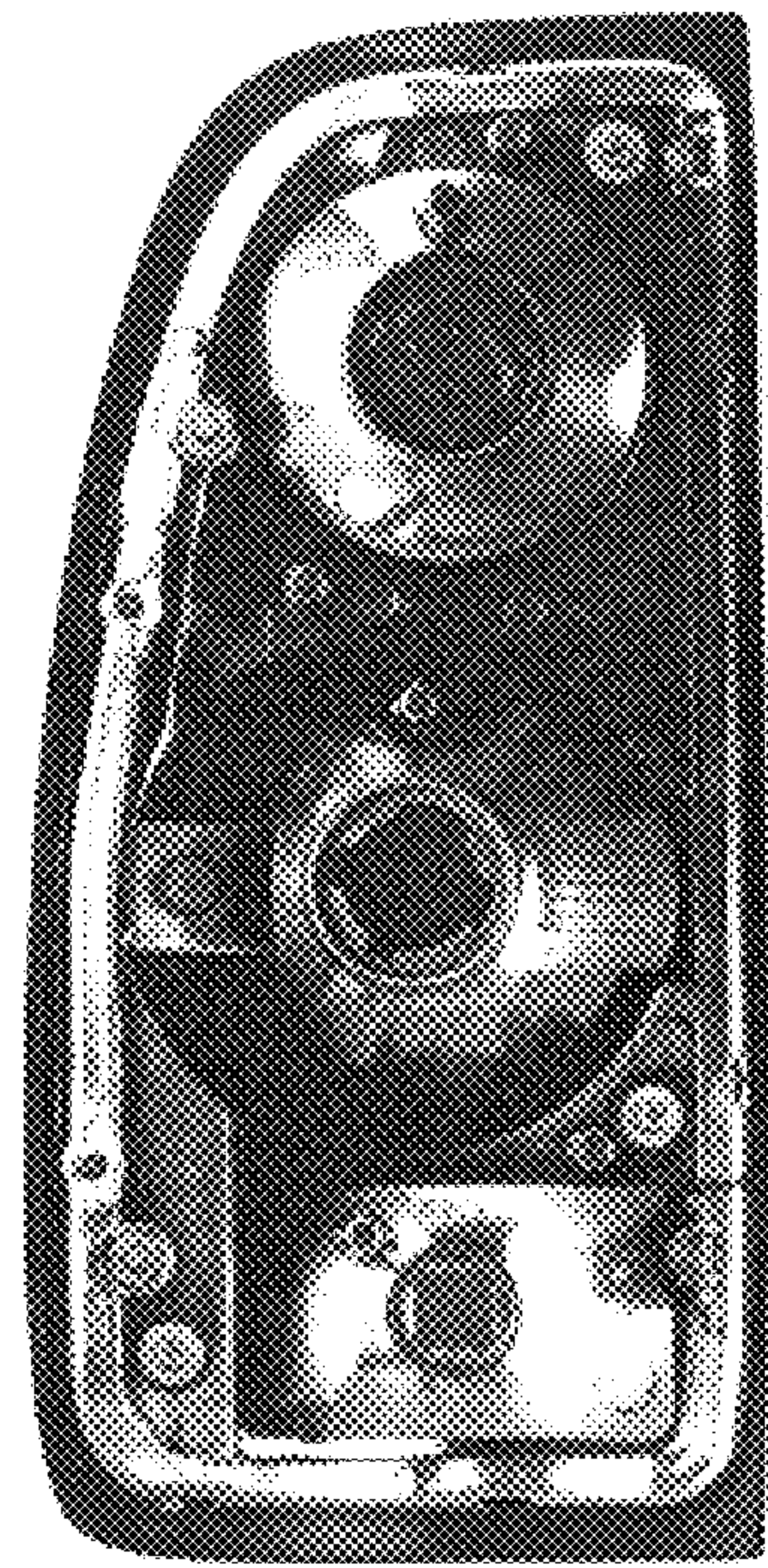


FIG. 3



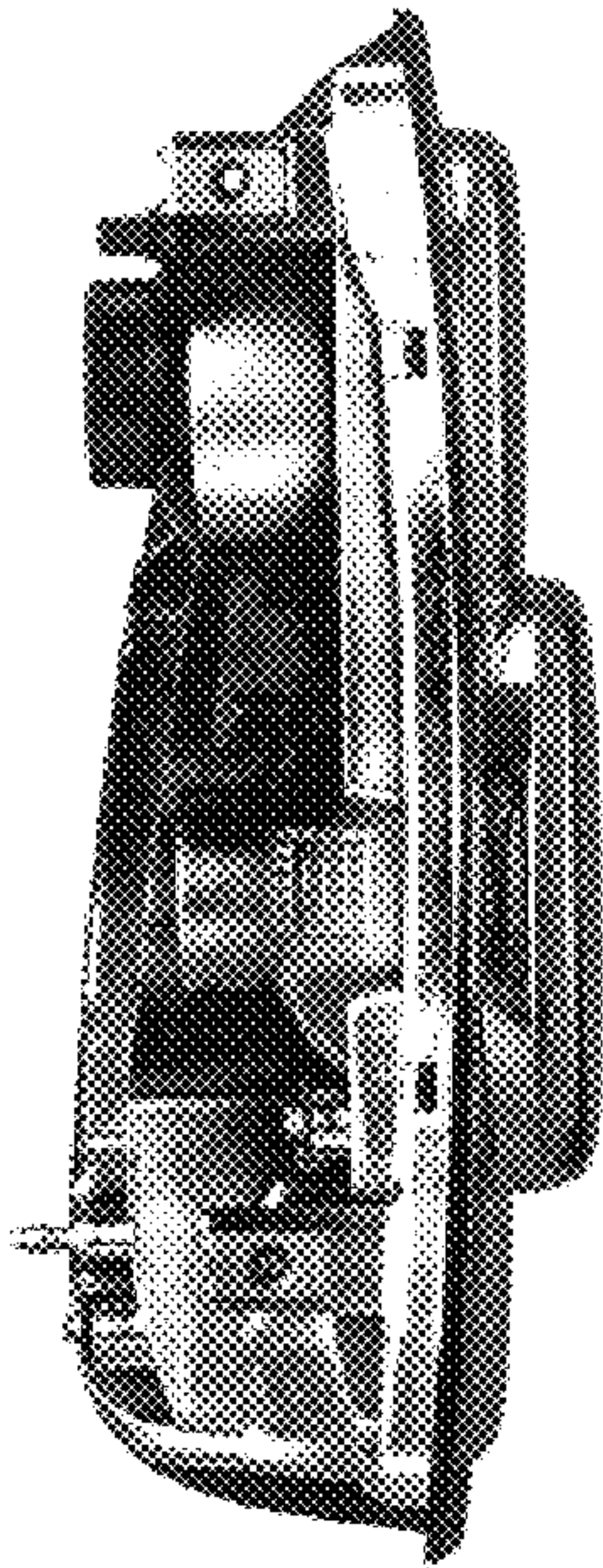


FIG. 4

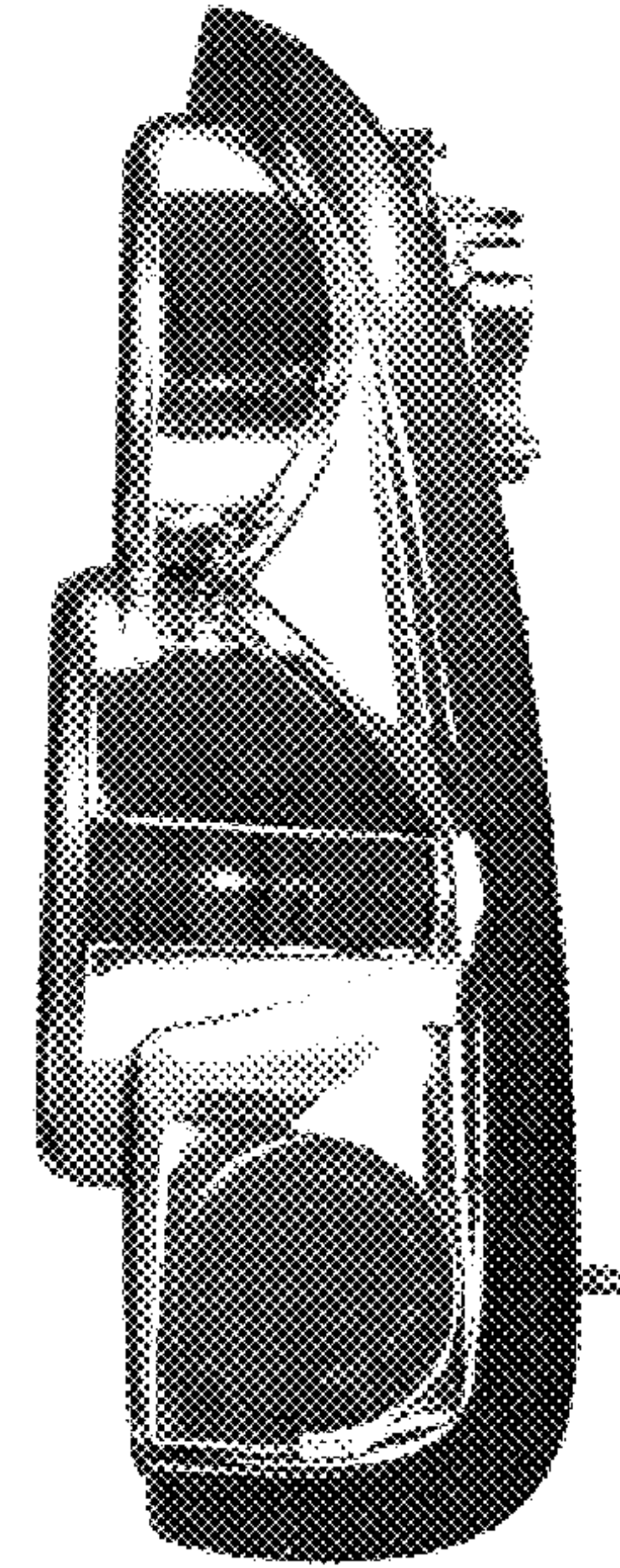


FIG. 5

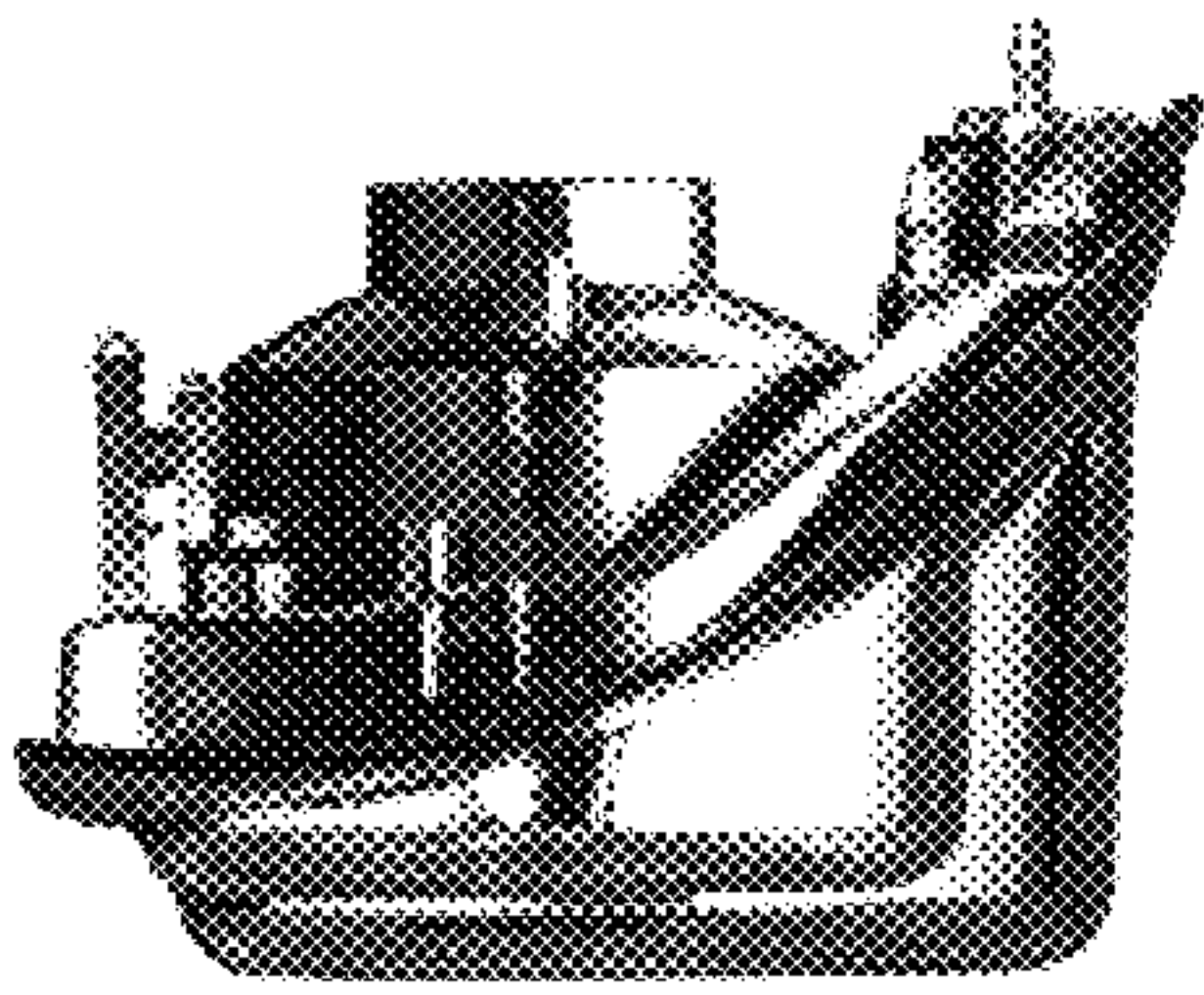


FIG. 6

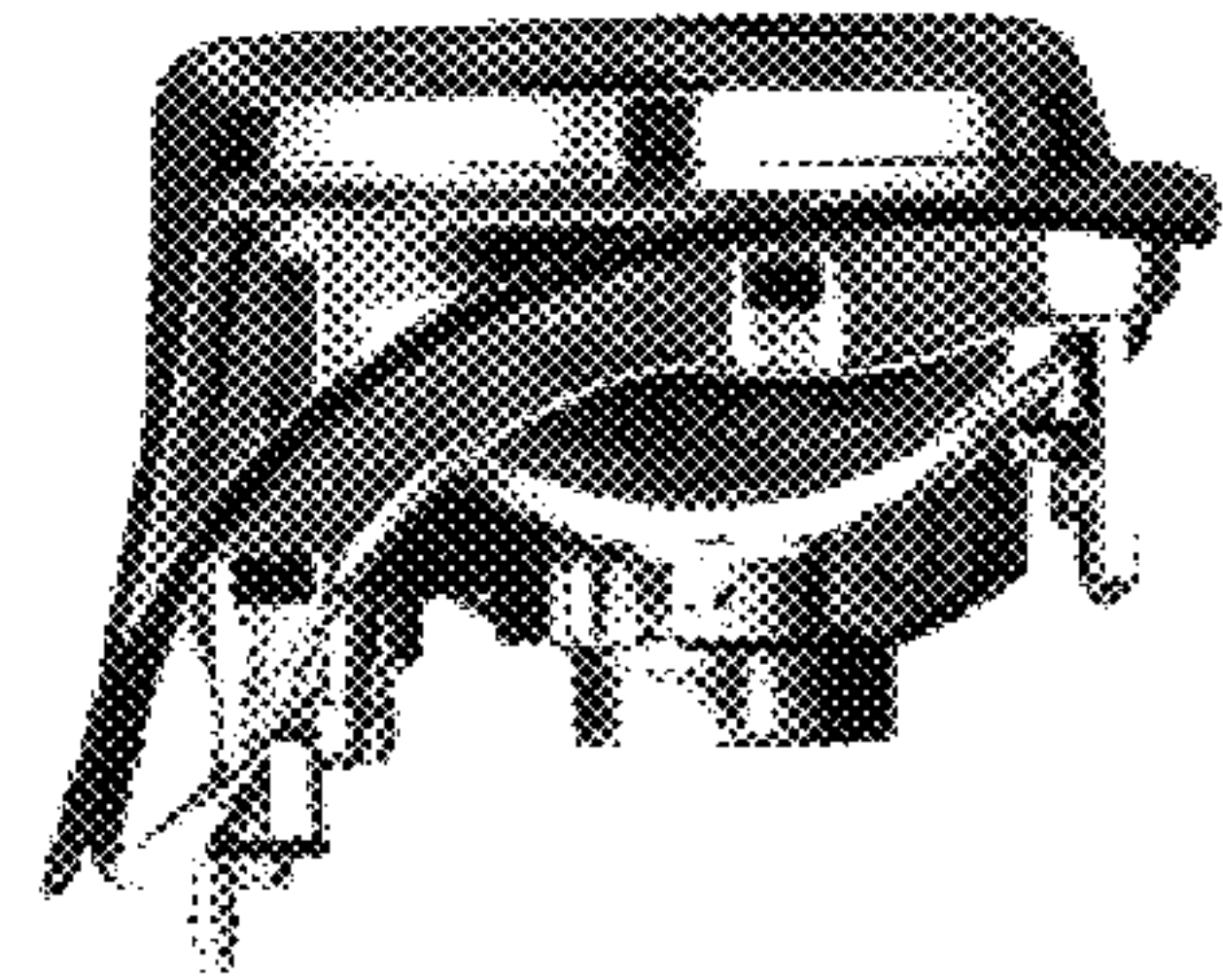


FIG. 7