



US00D486927S

(12) **United States Design Patent**  
**Yu**

(10) **Patent No.:** **US D486,927 S**

(45) **Date of Patent:** **\*\* Feb. 17, 2004**

(54) **NIGHT LIGHT**

(76) Inventor: **Jeff Yu**, 1101 S. Winchester Blvd.  
#D146, San Jose, CA (US) 95128

(\*\*) Term: **14 Years**

(21) Appl. No.: **29/171,615**

(22) Filed: **Nov. 26, 2002**

(51) **LOC (7) Cl.** ..... **26-05**

(52) **U.S. Cl.** ..... **D26/26; D26/73**

(58) **Field of Search** ..... **D26/24-26, 61-92**

(56) **References Cited**

**U.S. PATENT DOCUMENTS**

D176,869 S	*	2/1956	Ksenak	.....	D11/160
D357,038 S	*	4/1995	Sandvik	.....	D21/622
5,830,034 A	*	11/1998	Ciechanowski et al.	....	362/806
D460,572 S	*	7/2002	Lee	.....	D26/26
D470,551 S	*	2/2003	Lin	.....	D21/660

**OTHER PUBLICATIONS**

Hong Kong Enterprise vol. 10, 1999, p. 465; "auto window stickers" in bottom left grouping . . . top row far right. Design Library-Group 2900.\*

\* cited by examiner

*Primary Examiner*—Clare E. Heflin

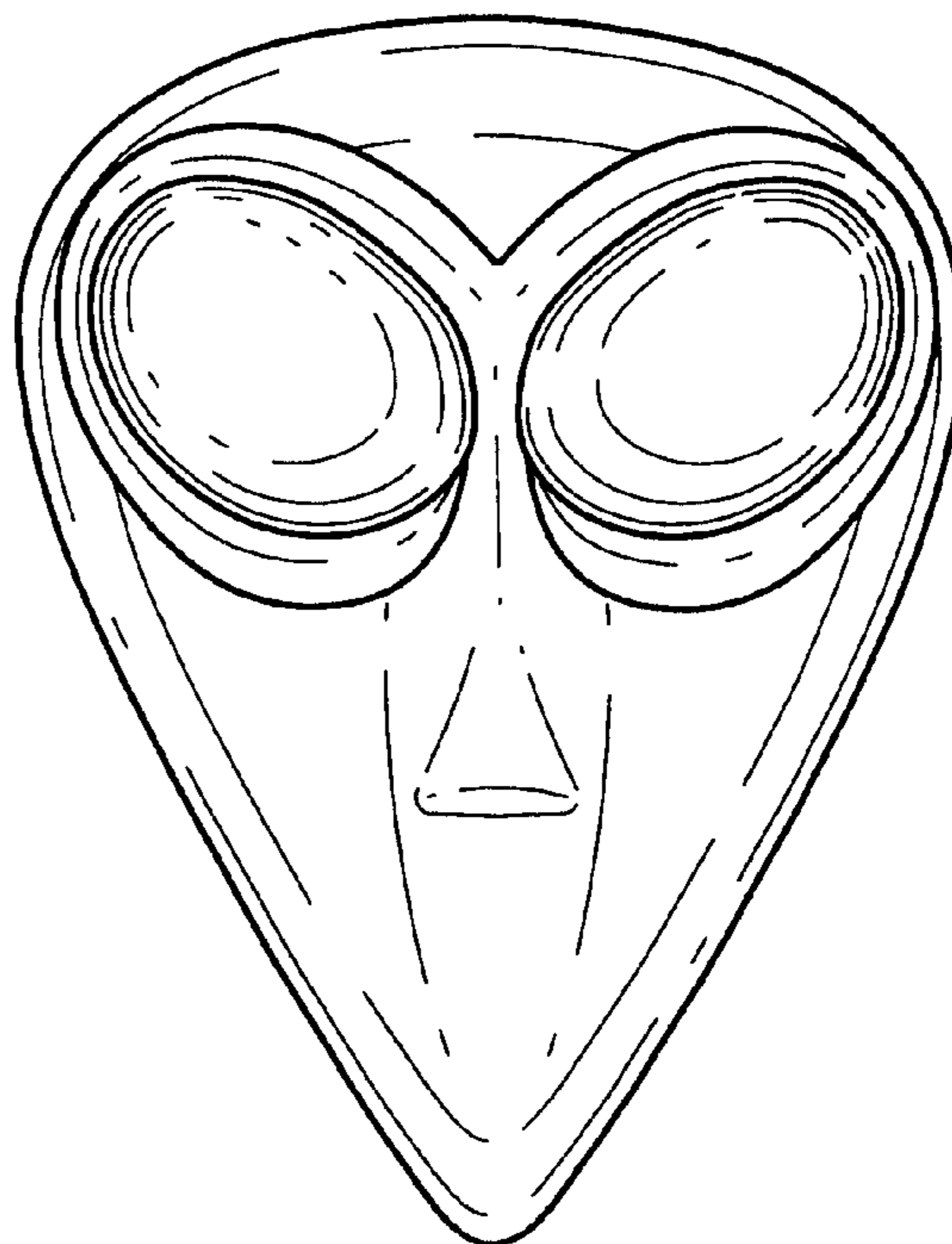
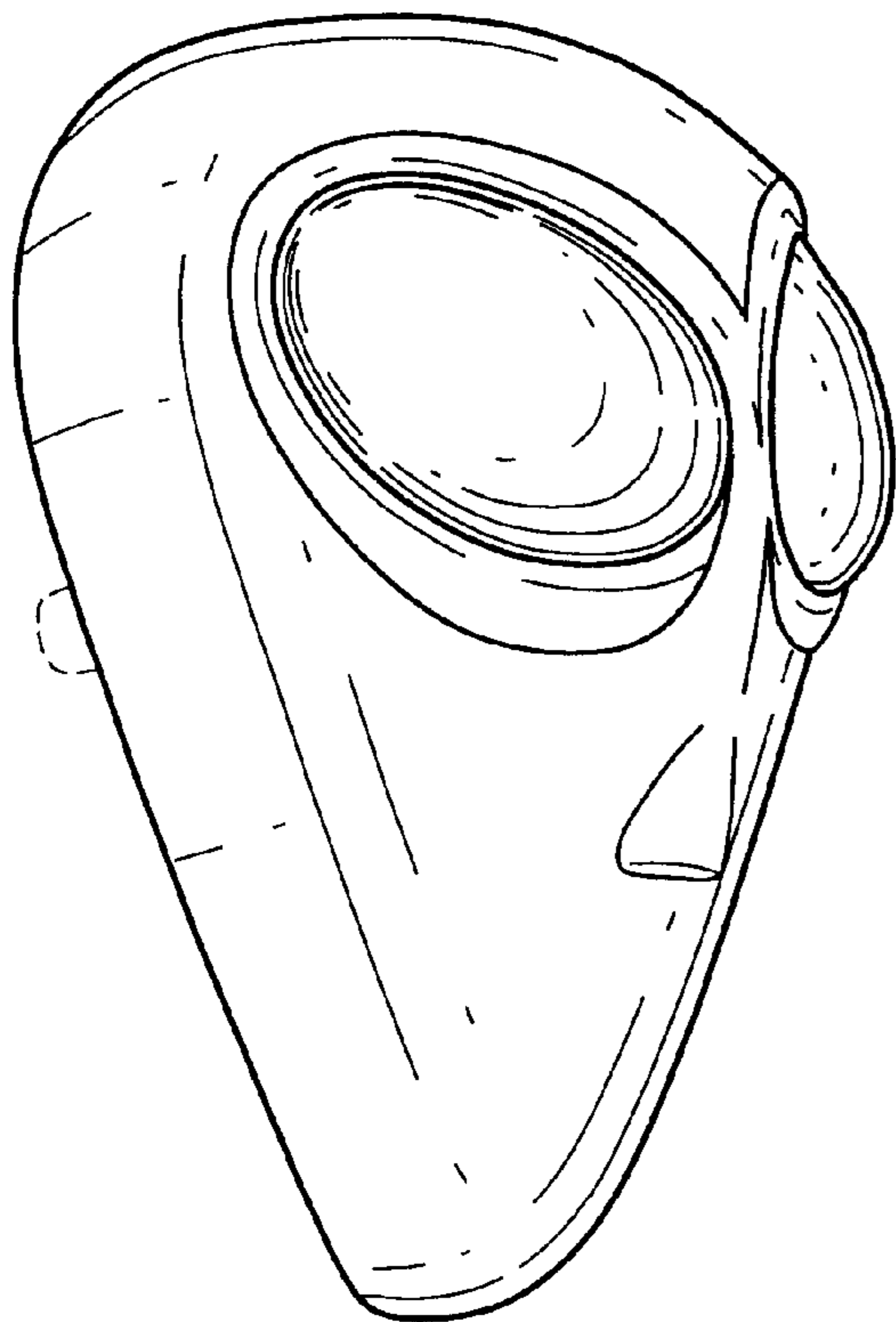
(57) **CLAIM**

The ornamental design for a Night Light, as shown and described.

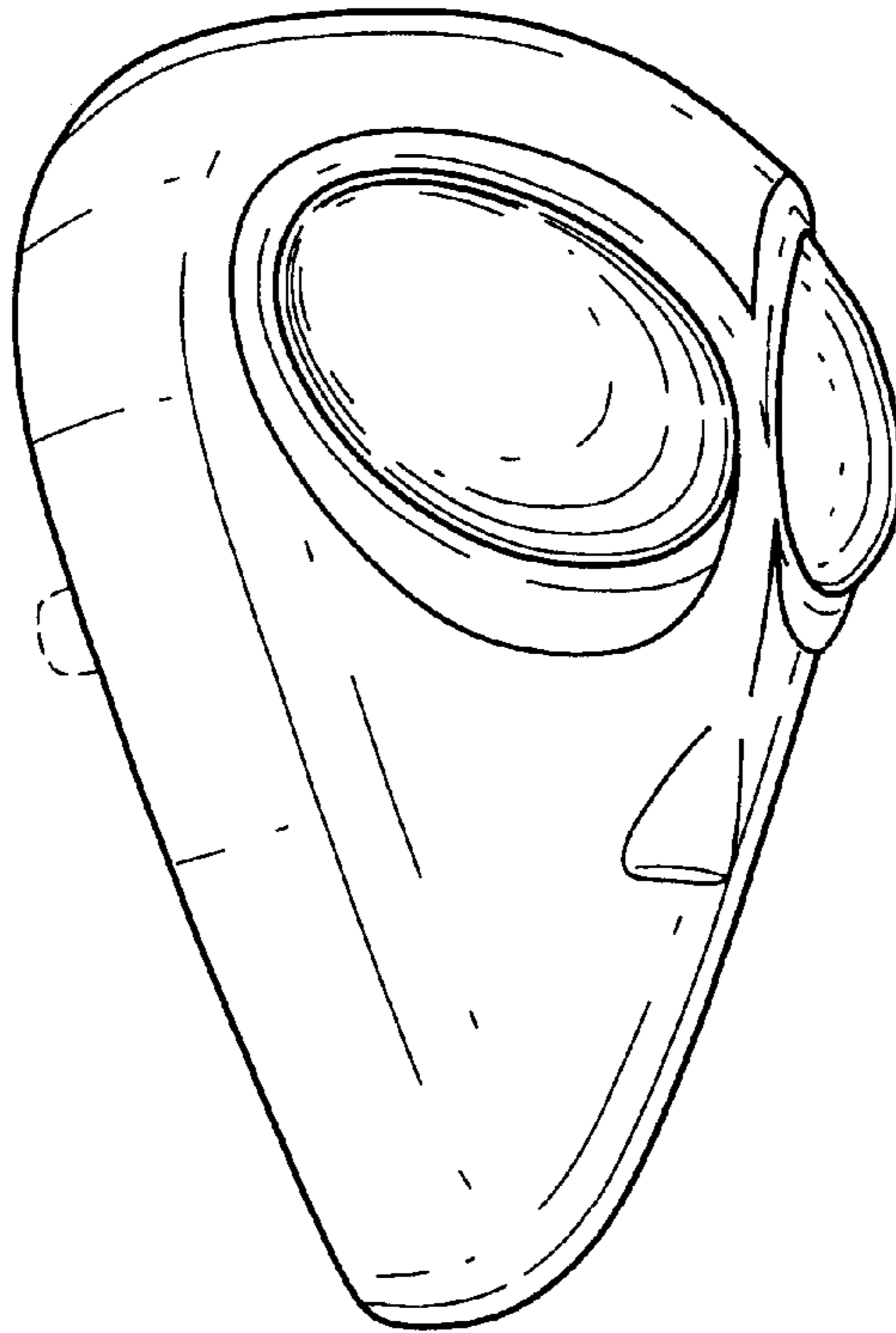
**DESCRIPTION**

FIG. 1 is a front perspective view of a Night Light;  
FIG. 2 is a front elevational view thereof;  
FIG. 3 is a left elevational view thereof;  
FIG. 4 is a rear view thereof;  
FIG. 5 is top view thereof; and  
FIG. 6 is a bottom view thereof.

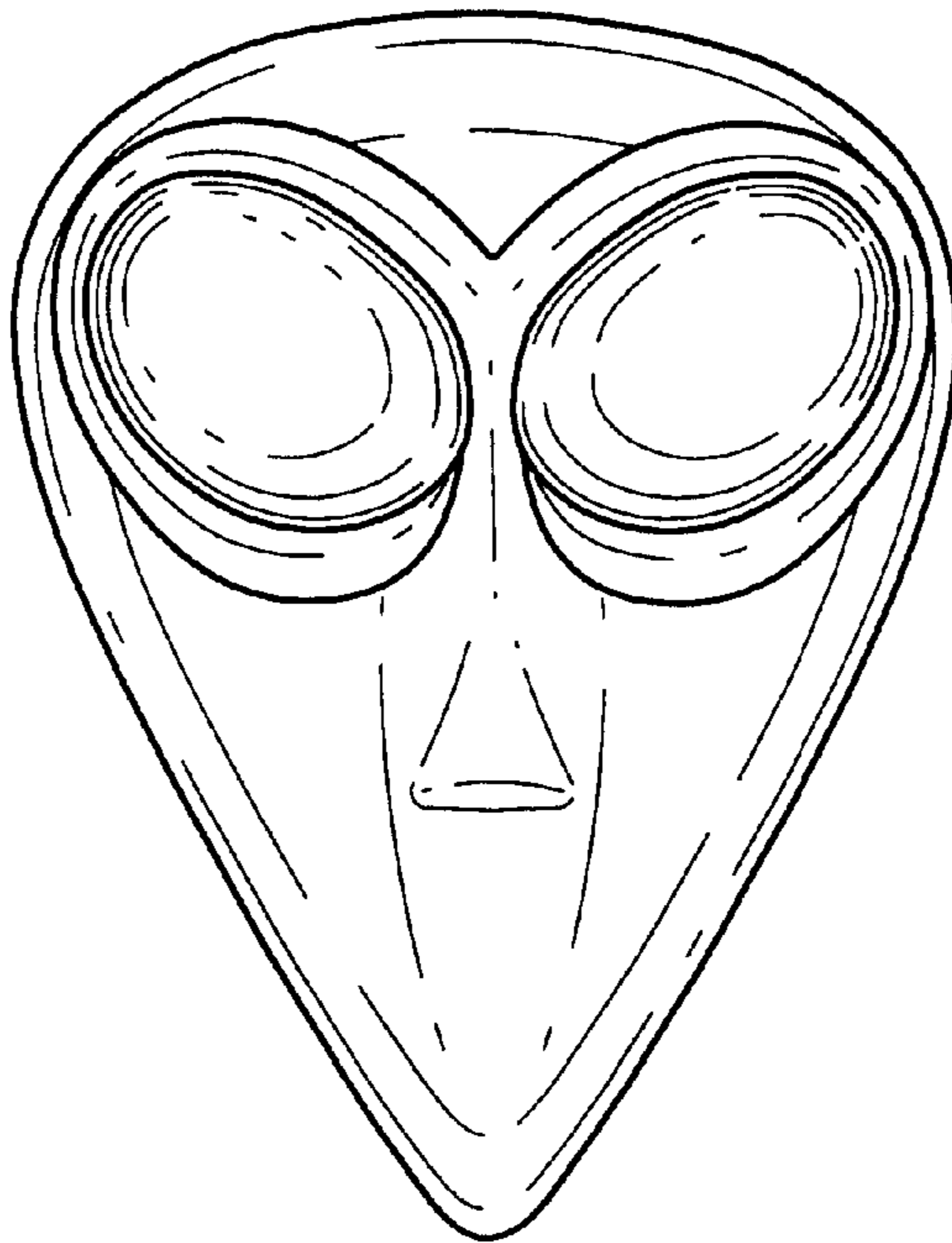
**1 Claim, 2 Drawing Sheets**

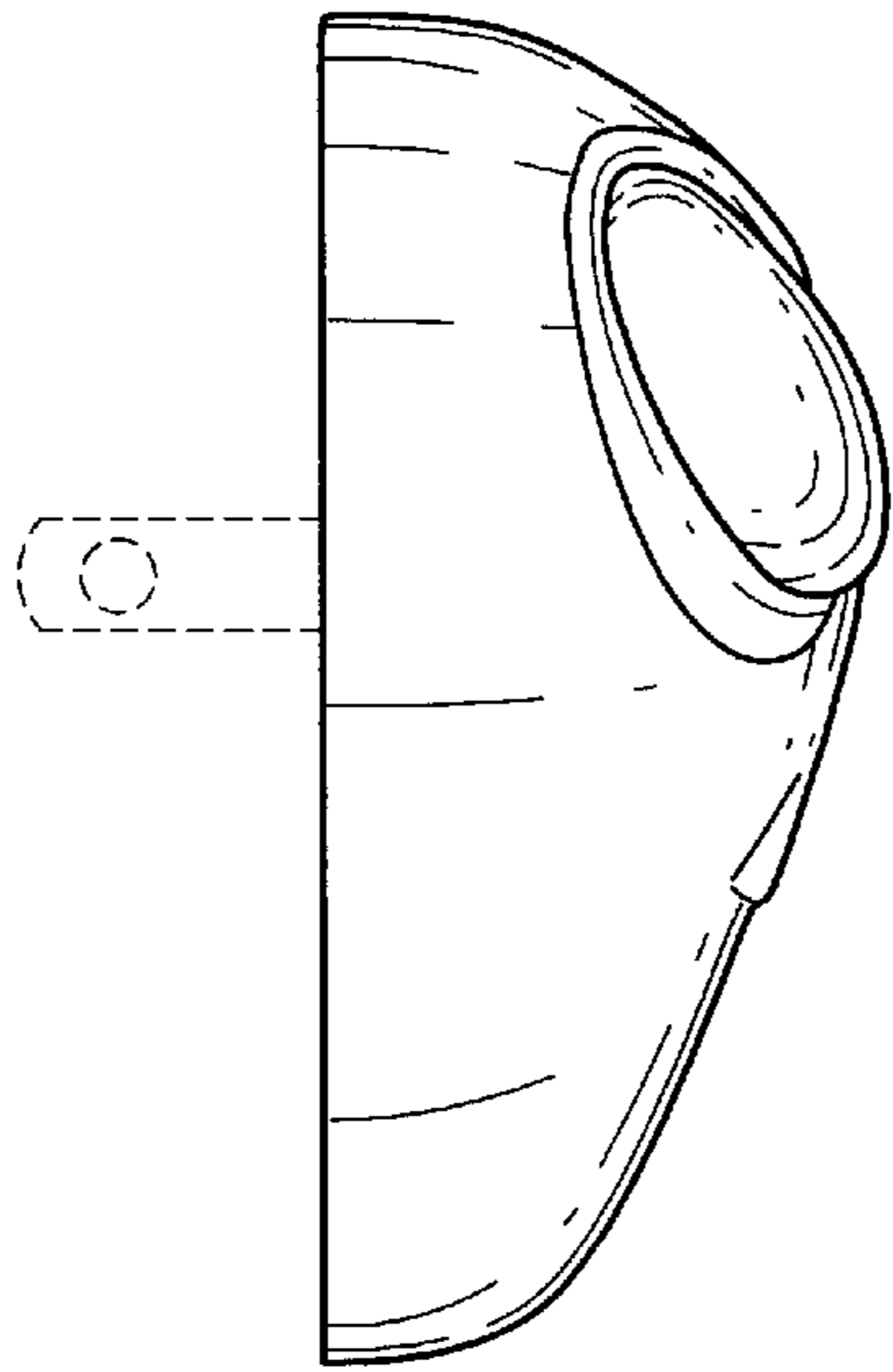


**FIG. 1**

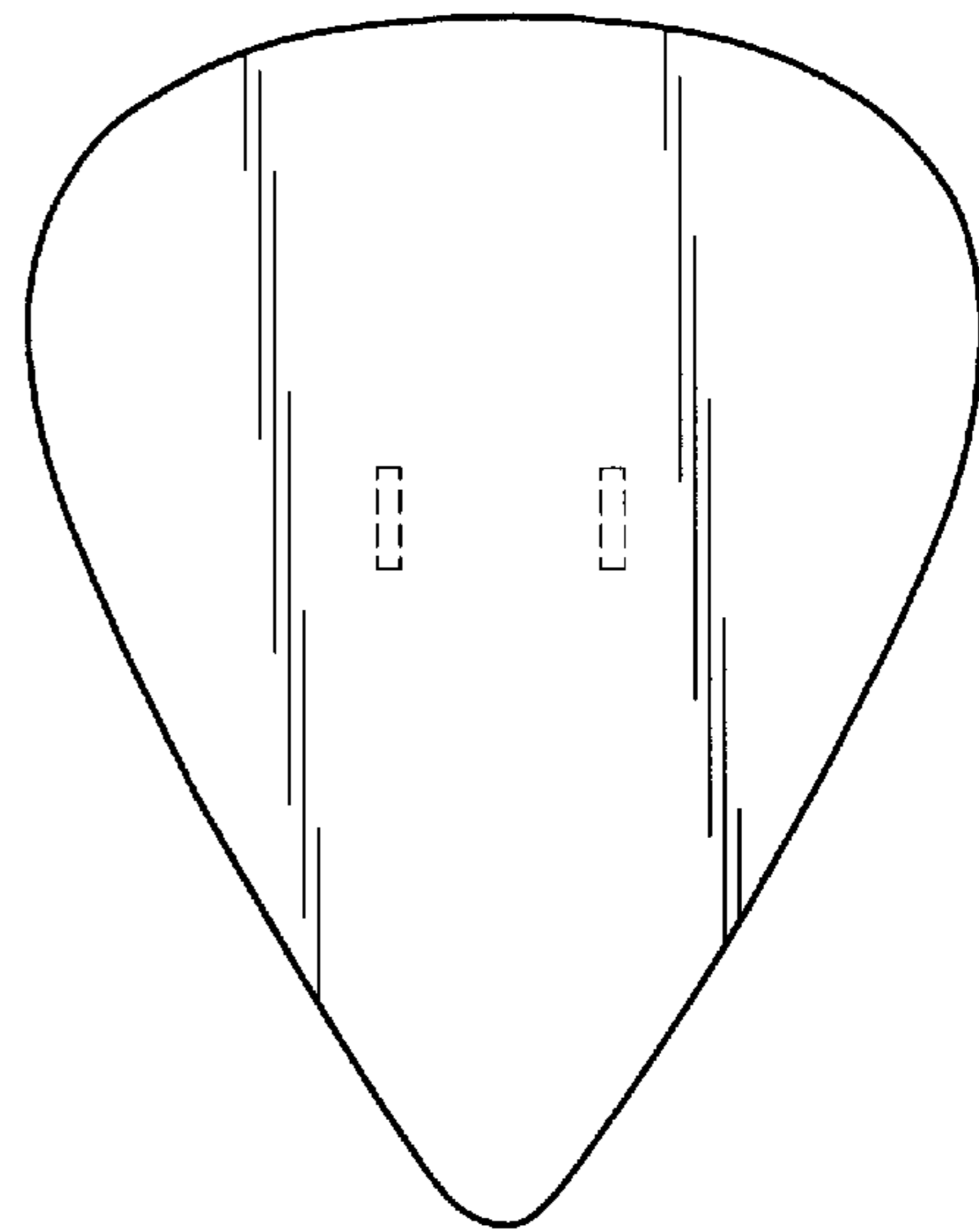


**FIG. 2**

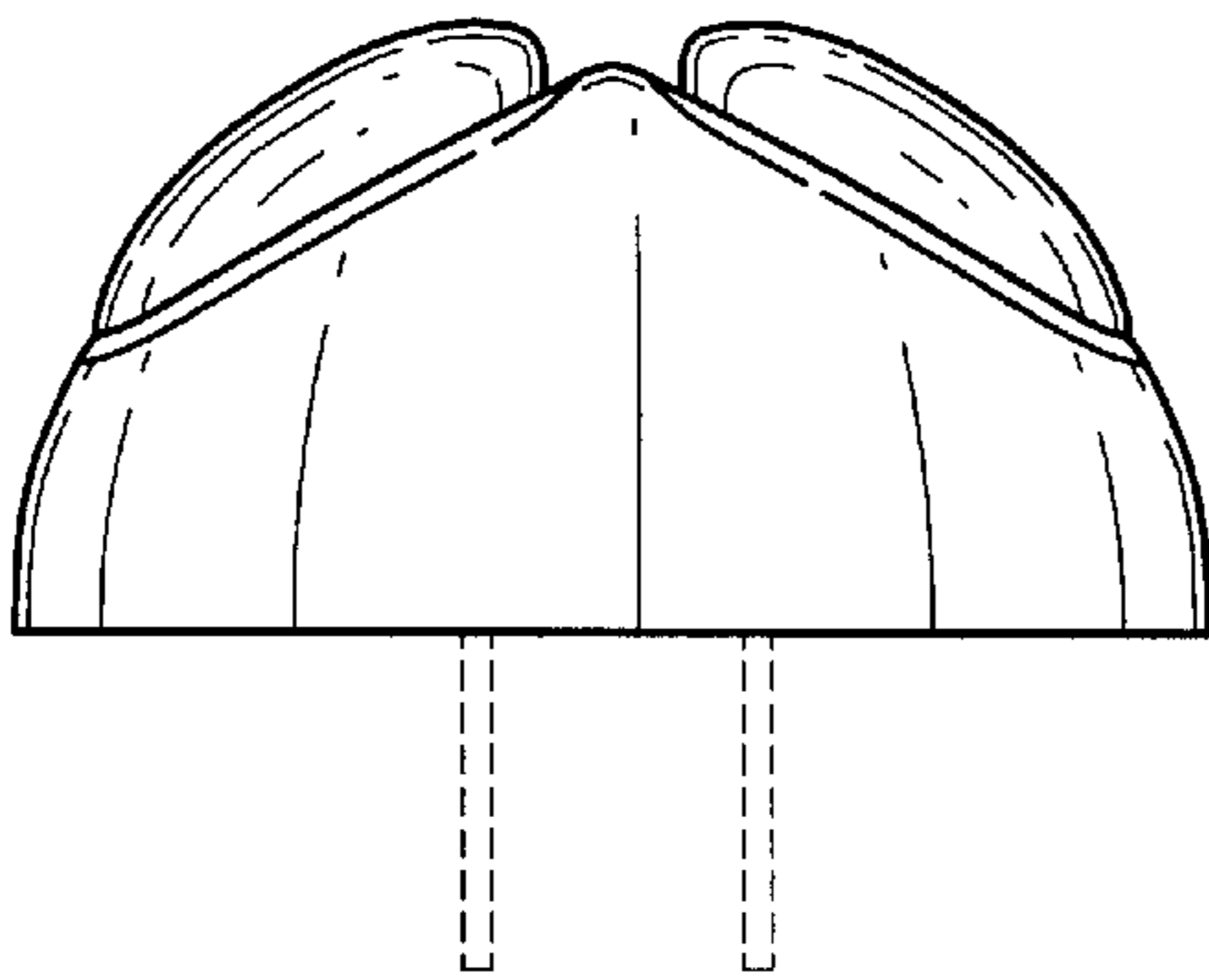




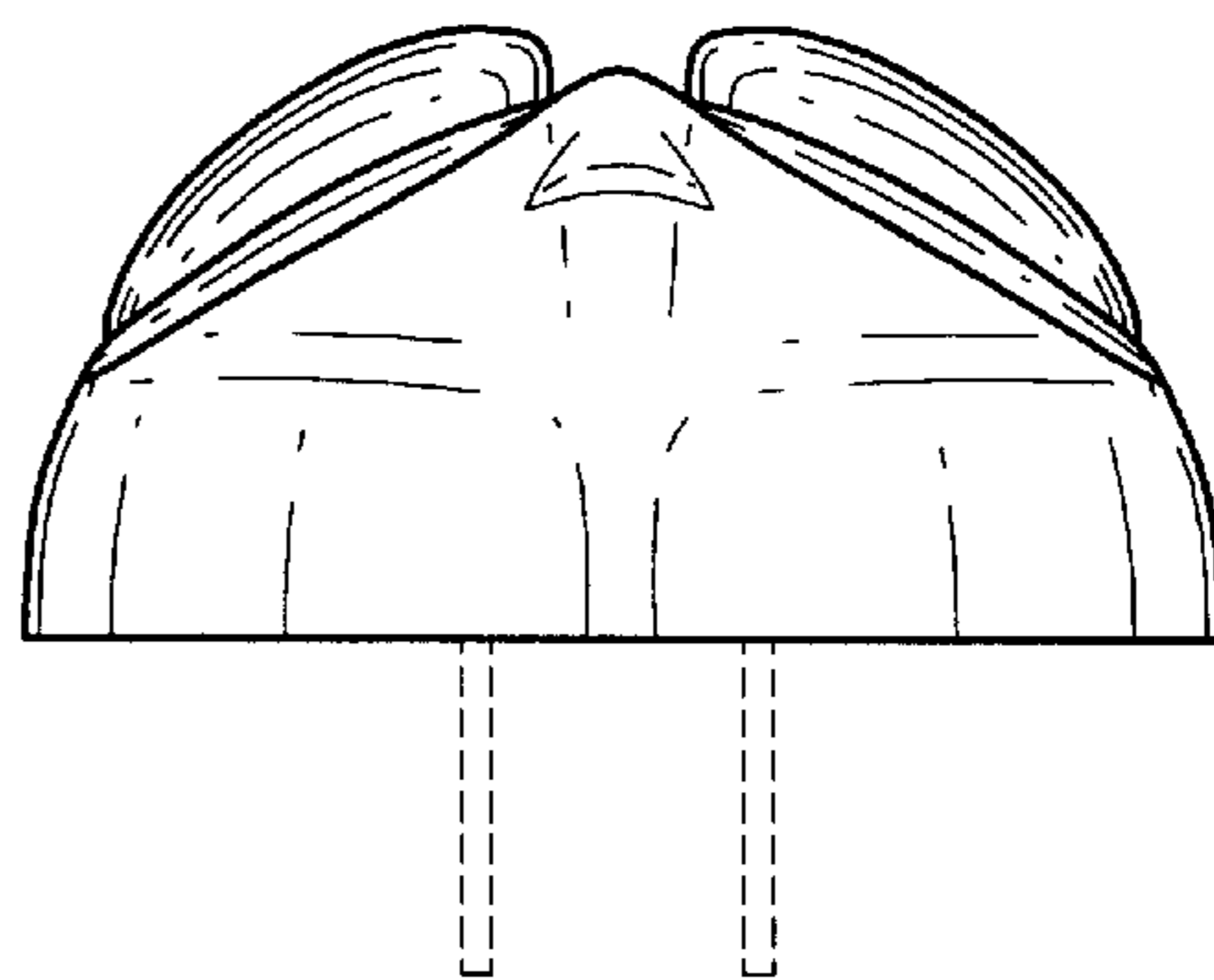
**FIG. 3**



**FIG. 4**



**FIG. 5**



**FIG. 6**