



US00D486920S

(12) **United States Design Patent**  
**Hein et al.**

(10) **Patent No.:** **US D486,920 S**

(45) **Date of Patent:** **\*\* Feb. 17, 2004**

(54) **THREE WAY; 1-90° OUTSIDE, 2-90° INSIDE, BULLNOSE CORNER**

6,216,407 B1 \* 4/2001 LeBlanc ..... 52/287.1

\* cited by examiner

(75) Inventors: **Lewis J. Hein**, Alpine, CA (US);  
**Derrell J. Weldy**, Campo, CA (US);  
**Michael D. Weldy**, Campo, CA (US)

*Primary Examiner*—Doris Clark

(74) *Attorney, Agent, or Firm*—Brown, Martin, Haller & McClain LLP

(73) Assignee: **Pla-Cor, Incorporated**, Santee, CA (US)

(57) **CLAIM**

(\*\*) Term: **14 Years**

The ornamental design for a “three way; 1-90° outside, 2-90° inside, bullnose corner”, as shown and described.

(21) Appl. No.: **29/169,850**

**DESCRIPTION**

(22) Filed: **Oct. 25, 2002**

FIG. 1 is a front, side, and end perspective view of a three way; 1-90° outside, 2-90° inside bullnose corner showing our new design, the opposite end is identical;  
FIG. 2 is a front perspective view thereof;  
FIG. 3 is a rear perspective view thereof;  
FIG. 4 is a bottom plan view thereof;  
FIG. 5 is a front, end, and side perspective view showing a second embodiment of our new design; and,  
FIG. 6 is a front, end, and side perspective view showing a third embodiment of our new design.

(51) **LOC (7) Cl.** ..... **25-01**

(52) **U.S. Cl.** ..... **D25/102**

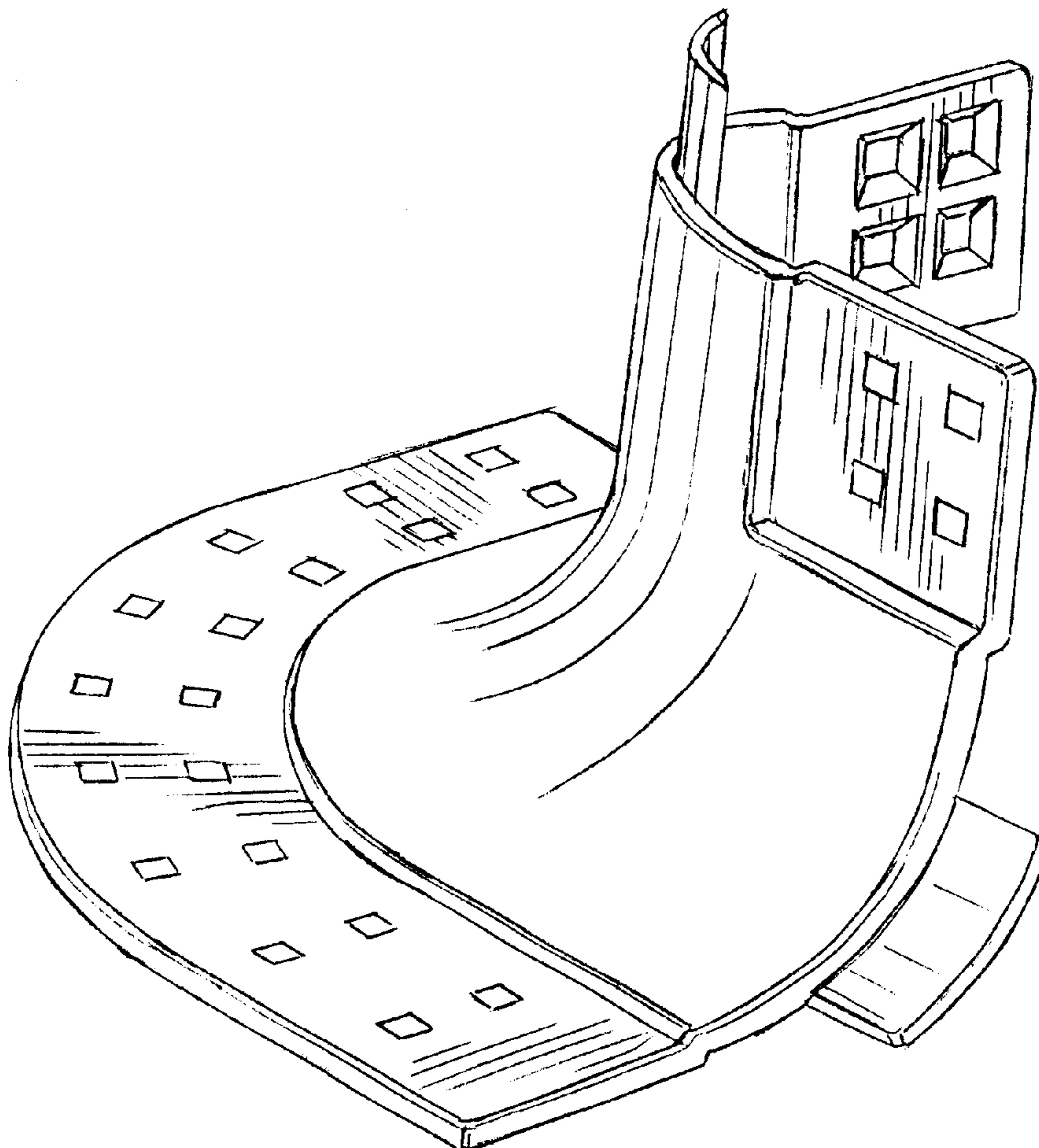
(58) **Field of Search** ..... D25/102; 52/287.1;  
D8/354

(56) **References Cited**

**U.S. PATENT DOCUMENTS**

D398,405 S \* 9/1998 Beard, Jr. .... D25/102  
D402,879 S \* 12/1998 Beard, Jr. .... D8/354

**1 Claim, 3 Drawing Sheets**



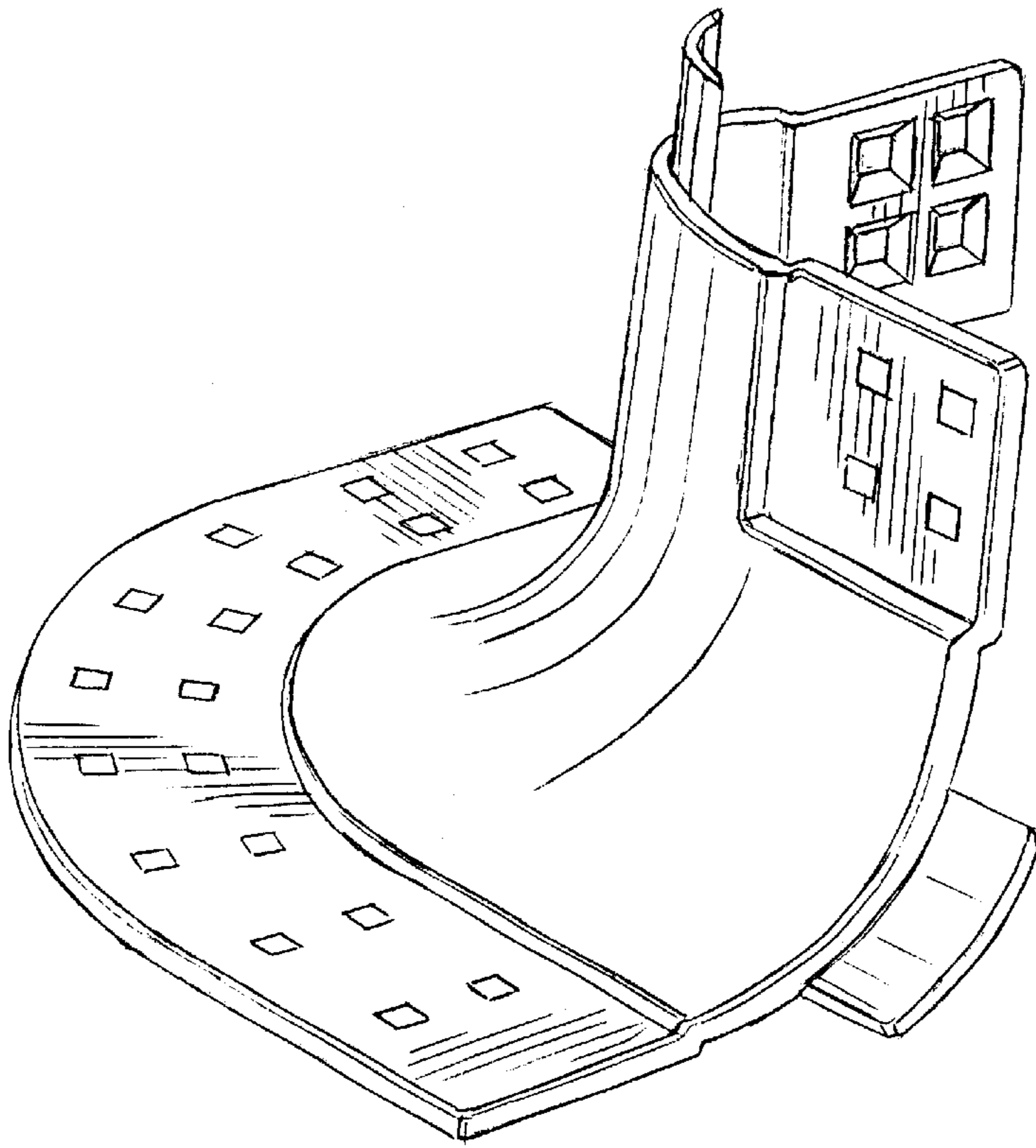


FIG. 1

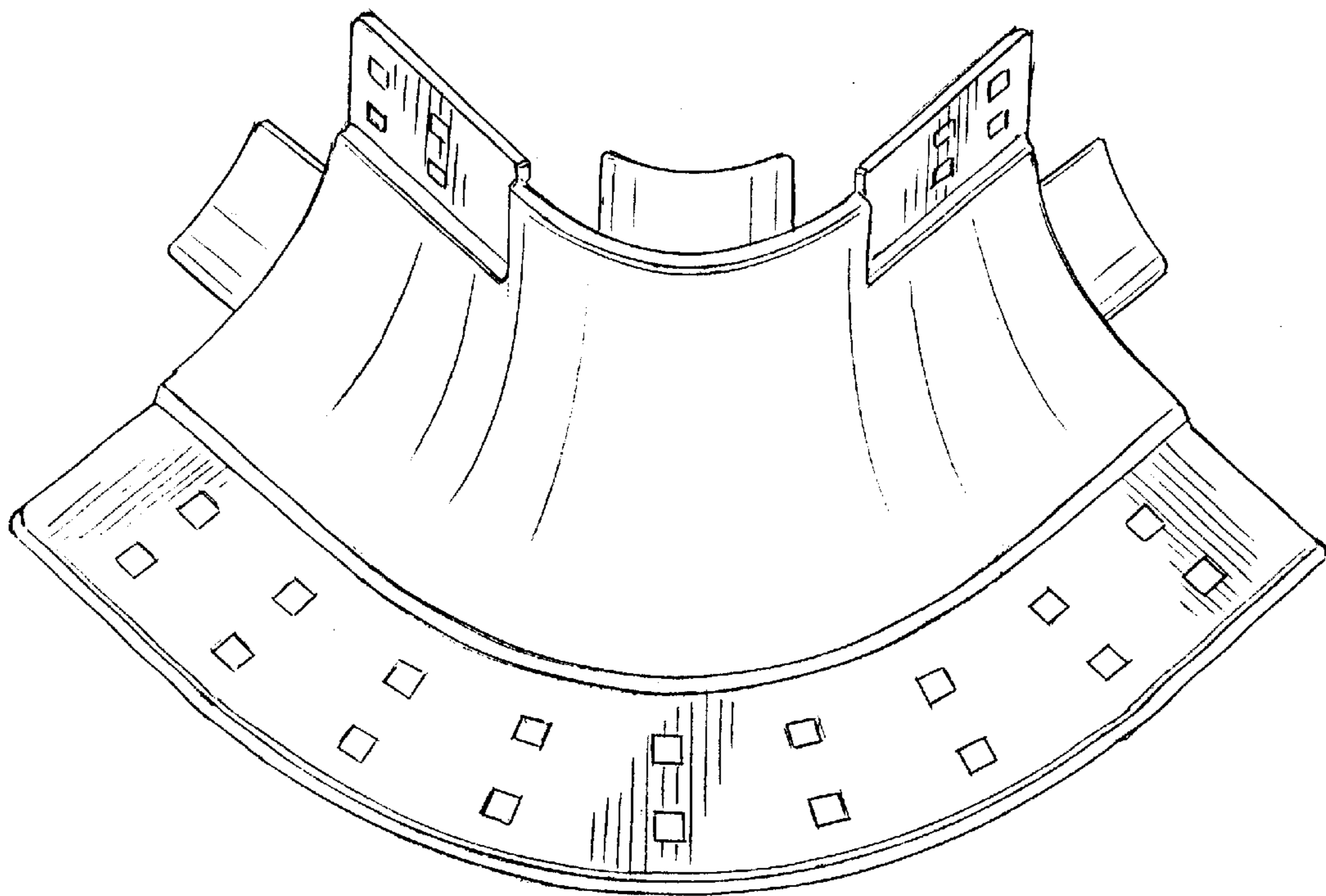


FIG. 2

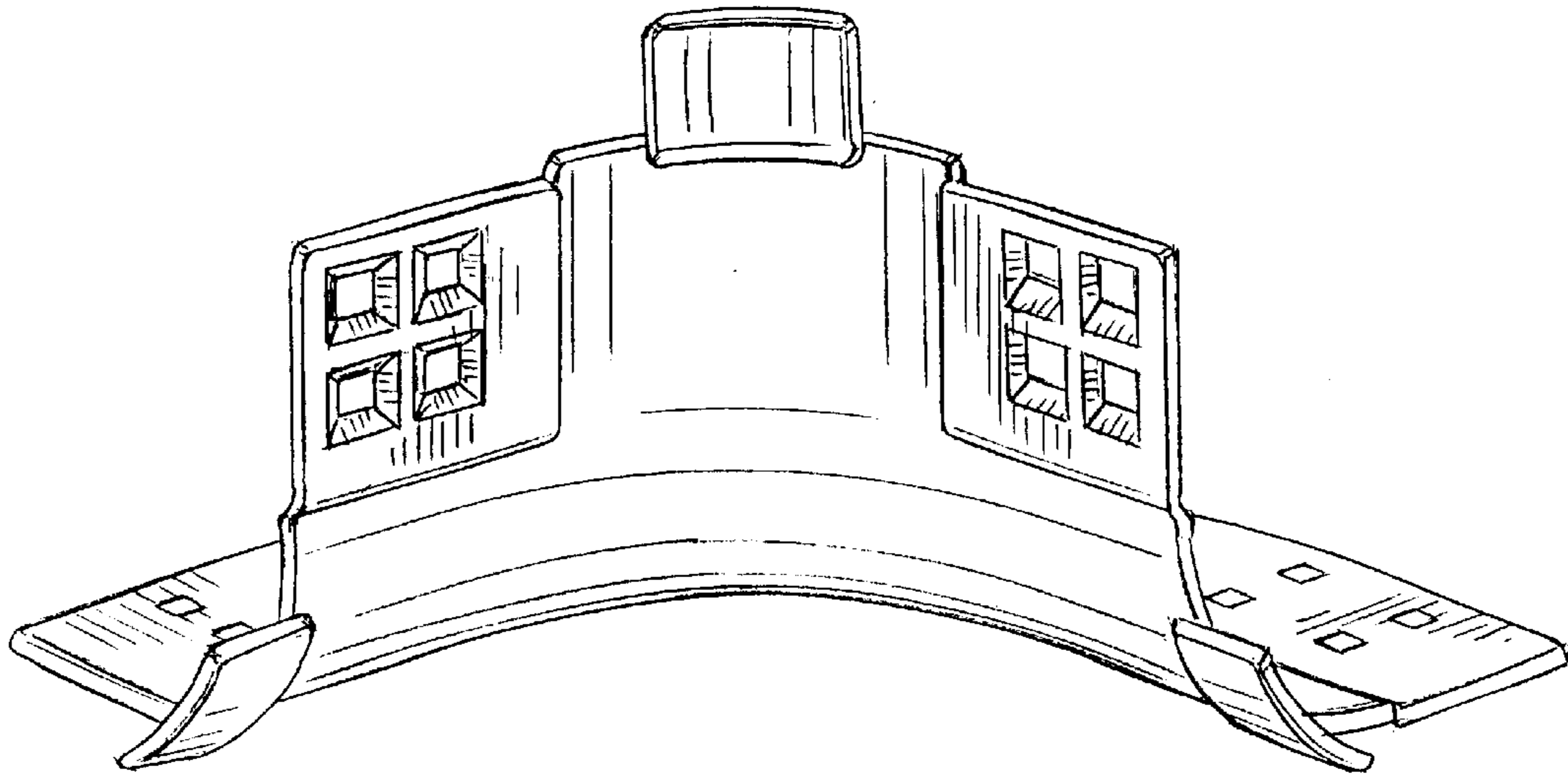


FIG. 3

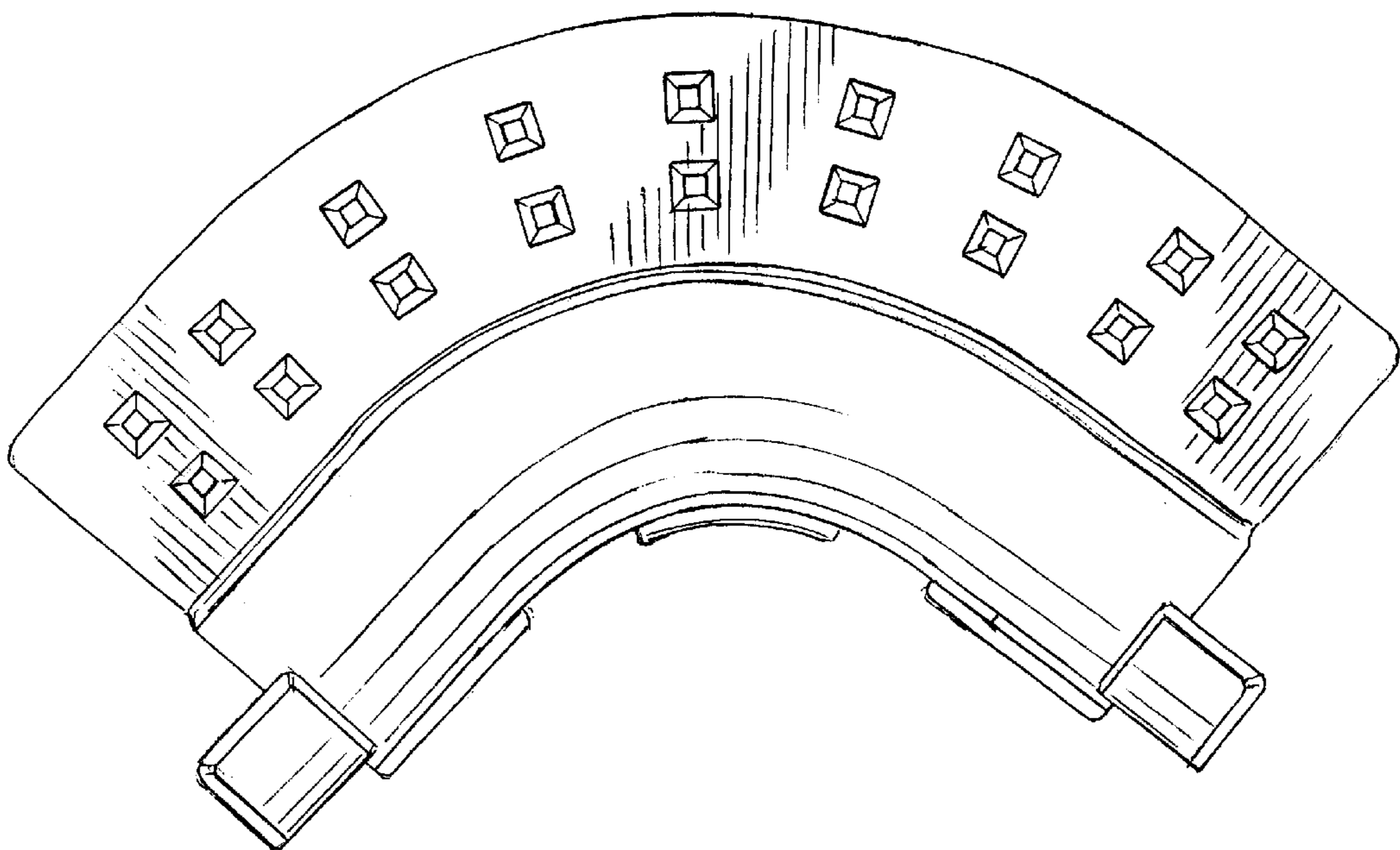


FIG. 4

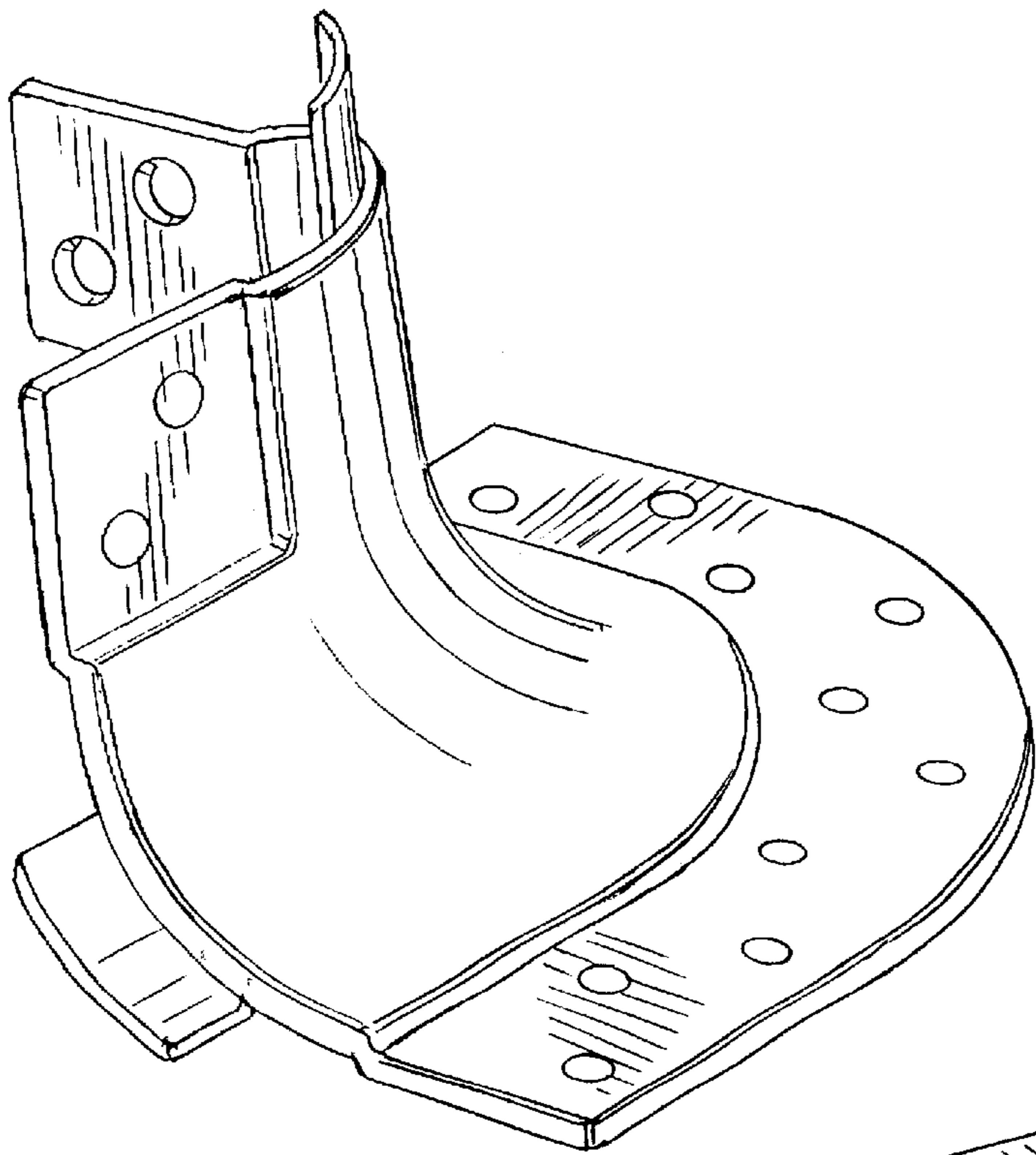


FIG. 5

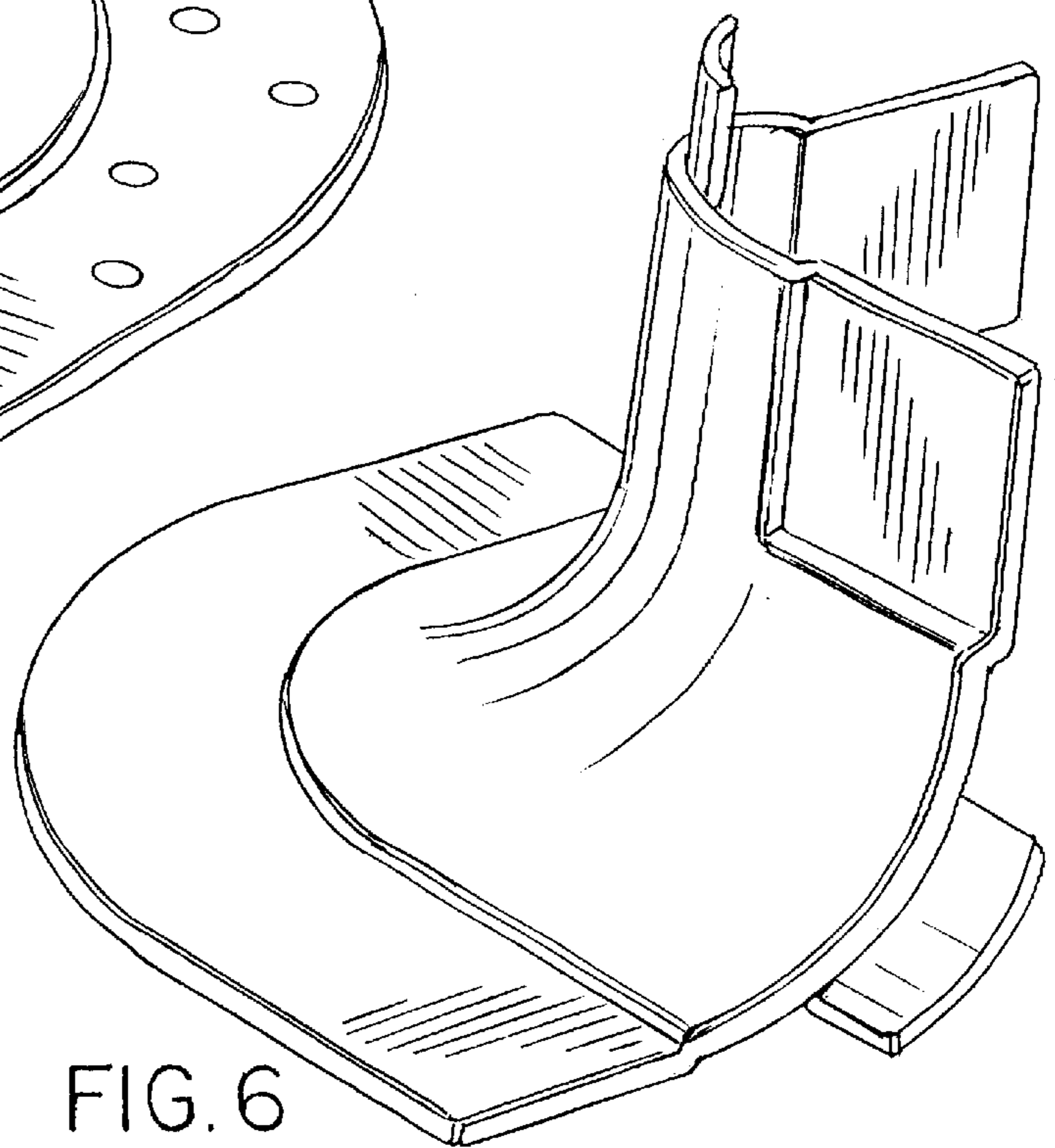


FIG. 6