



US00D486919S

(12) **United States Design Patent**
Legay et al.

(10) **Patent No.: US D486,919 S**

(45) **Date of Patent: ** Feb. 17, 2004**

(54) **SLIDING PATIO DOOR**

(75) Inventors: **Mike Legay**, Auburn, CA (US);
Gordon M. Case, Reno, NV (US);
Joseph Lee, Pacific City, OR (US)

(73) Assignee: **Royal Group Technologies Limited**,
Woodbridge (CA)

(**) Term: **14 Years**

(21) Appl. No.: **29/175,906**

(22) Filed: **Feb. 13, 2003**

(51) **LOC (7) Cl.** **25-02**

(52) **U.S. Cl.** **D25/48**

(58) **Field of Search** D25/48, 49; 49/176,
49/209, 501, 504, DIG. 2

(56) **References Cited**

U.S. PATENT DOCUMENTS

D271,812 S	*	12/1983	Markus	D25/48
4,562,667 A	*	1/1986	von Resch	49/176
D438,636 S	*	3/2001	Stuart	D25/48

* cited by examiner

Primary Examiner—Doris Clark

(57) **CLAIM**

The ornamental design for a sliding patio door, as shown and described.

DESCRIPTION

FIG. 1 is a front perspective view of the sliding patio door to which the design is applied;

FIG. 2 is a top end view of the sliding patio door of FIG. 1;

FIG. 3 is a front elevational view of the sliding patio door of FIG. 1;

FIG. 4 is a bottom end view of the sliding patio door of FIG. 1;

FIG. 5 is a side elevational view of the one side of the patio door of FIG. 1;

FIG. 6 is a rear elevational view of the sliding patio door of FIG. 1;

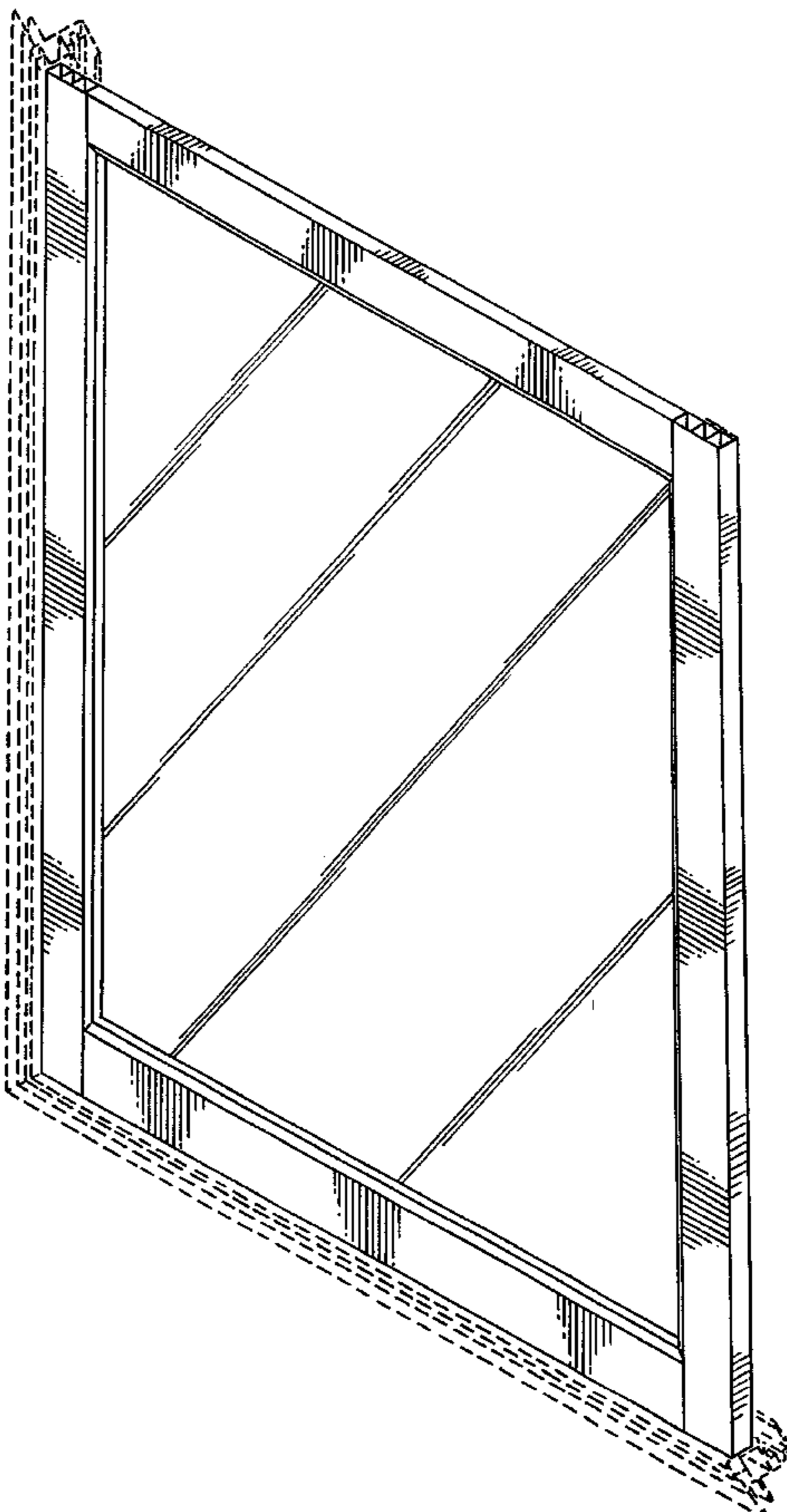
FIG. 7 is a side elevational view of the opposite side from that of FIG. 5;

FIG. 8 is a cross sectional view taken about line 8—8 of FIG. 6;

FIG. 9 is a cross sectional view taken about line 9—9 of FIG. 6; and,

FIG. 10 is a cross sectional view taken about line 10—10 of FIG. 6.

1 Claim, 3 Drawing Sheets



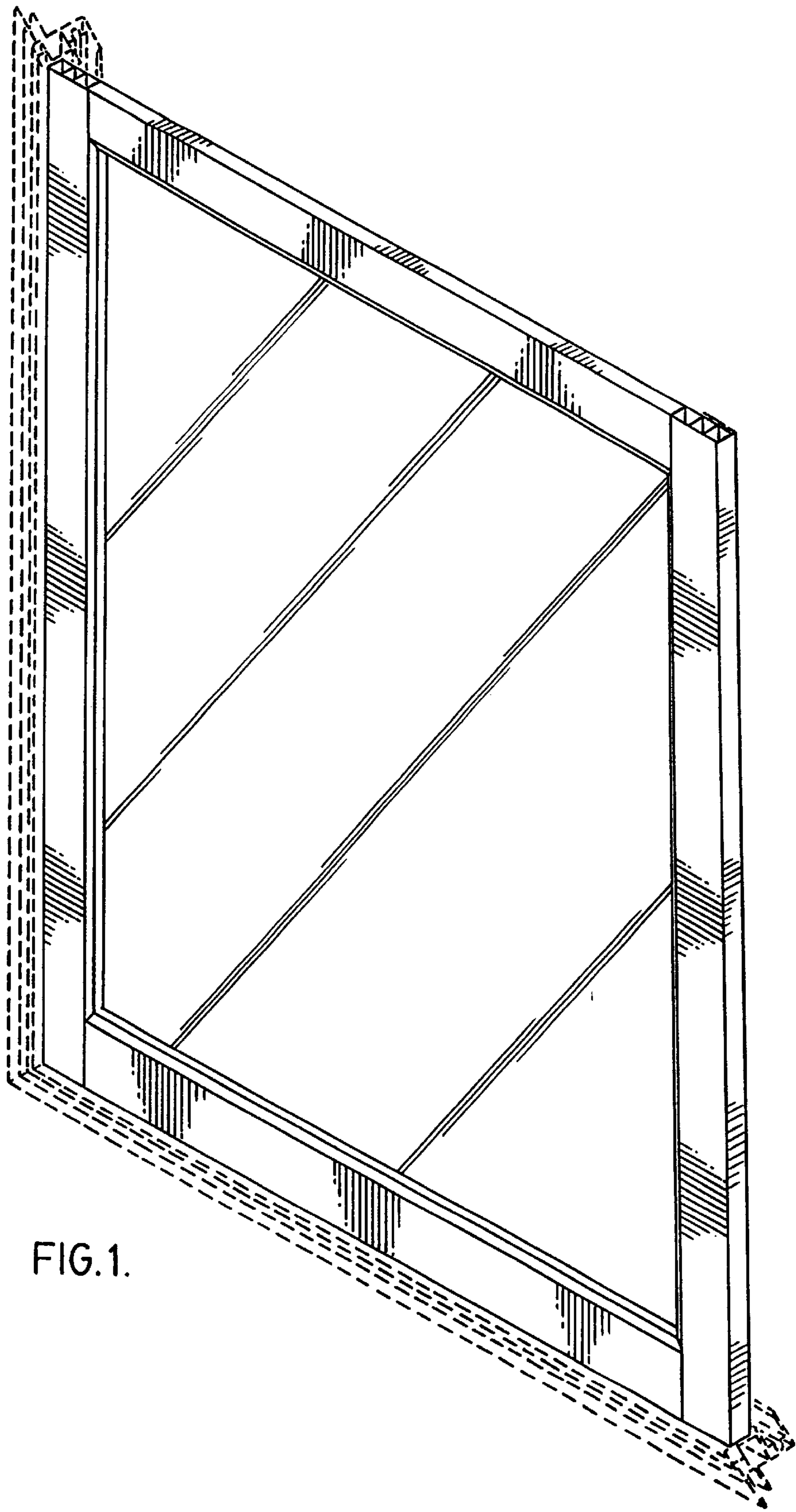


FIG. 1.

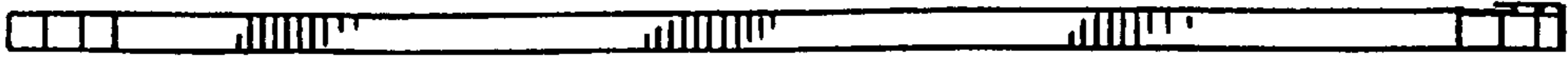


FIG. 2.

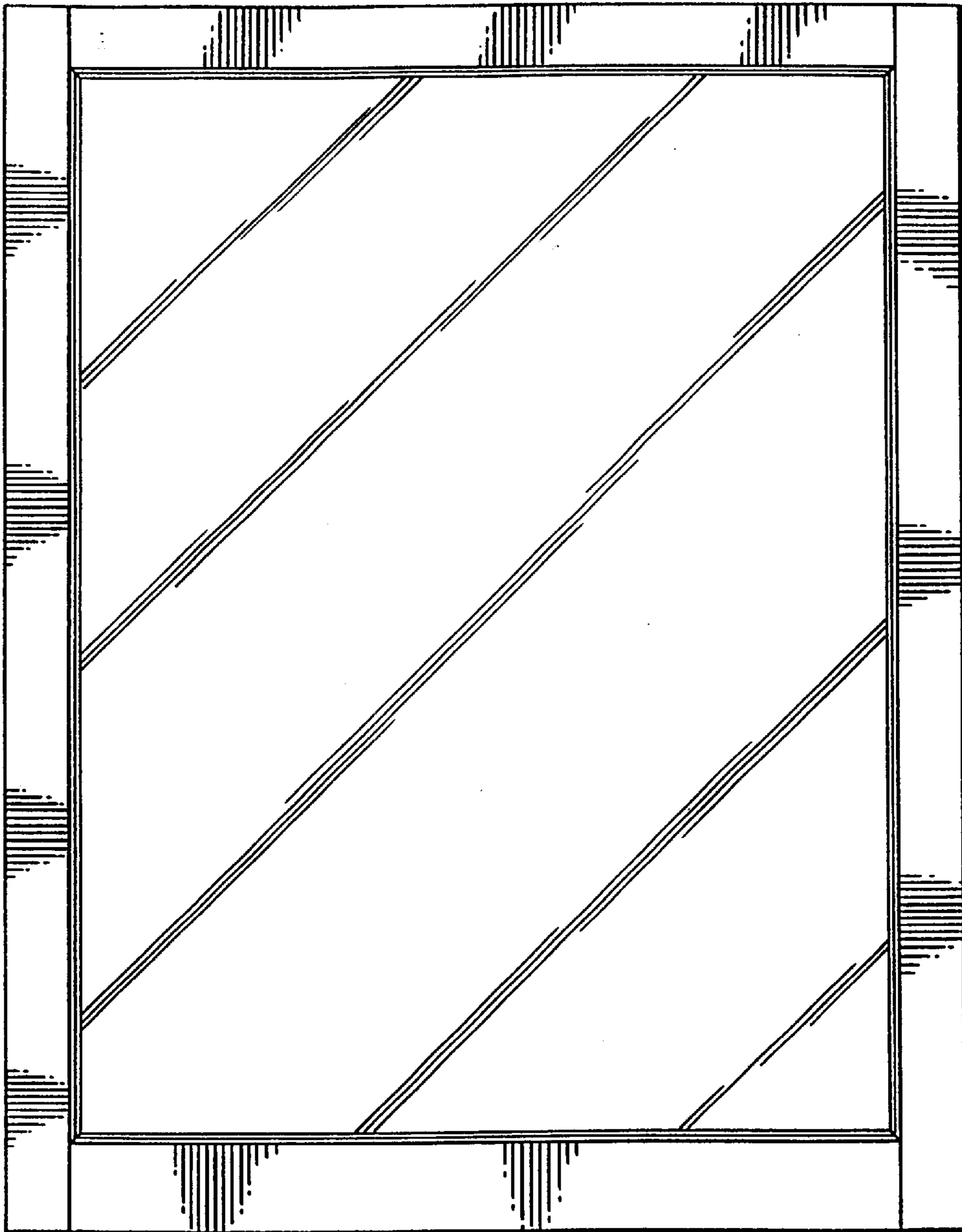


FIG. 3.



FIG. 4.

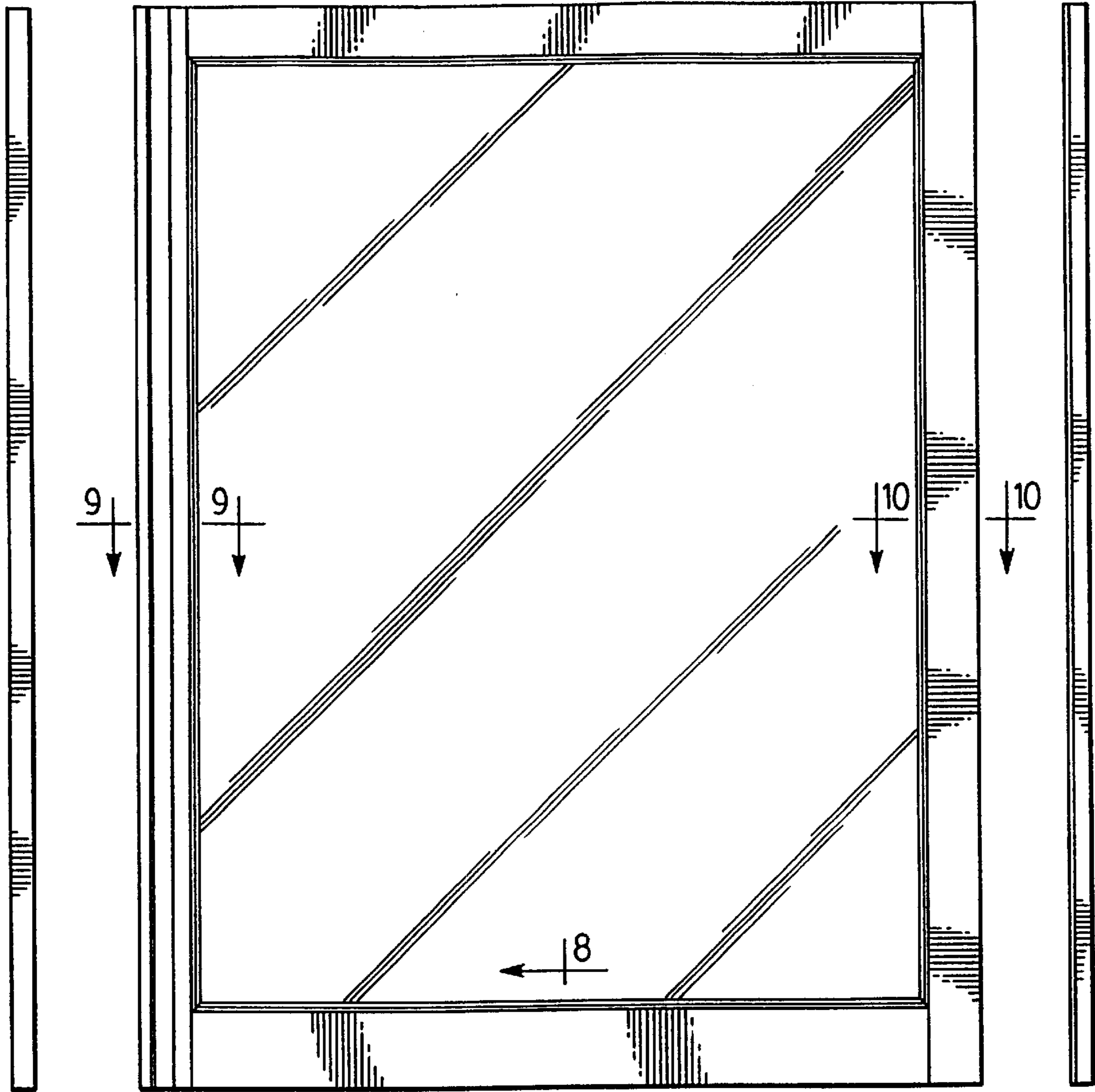


FIG. 5.

← 8

FIG. 6.

FIG. 7.

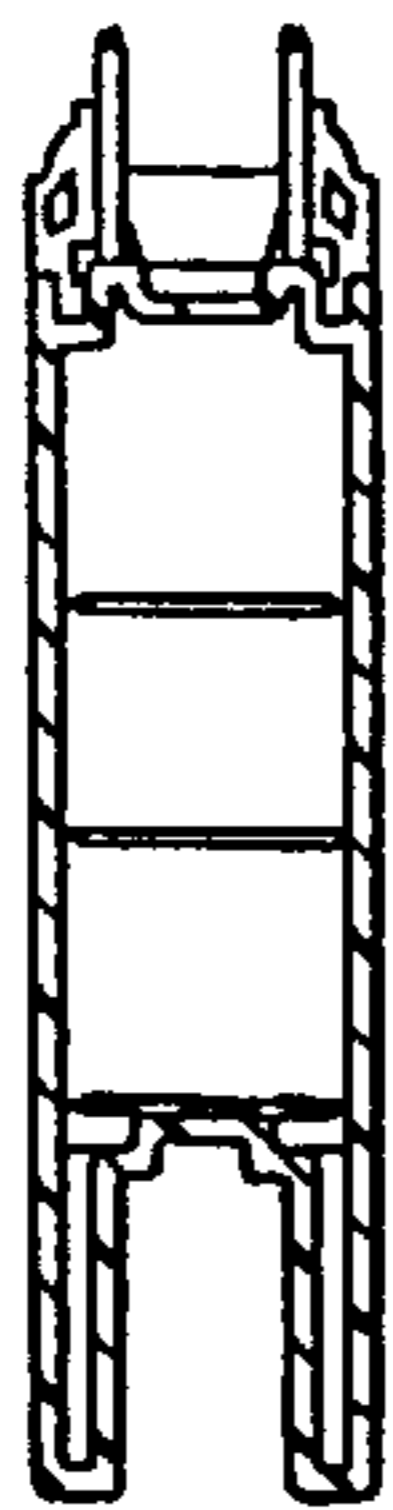


FIG. 8.

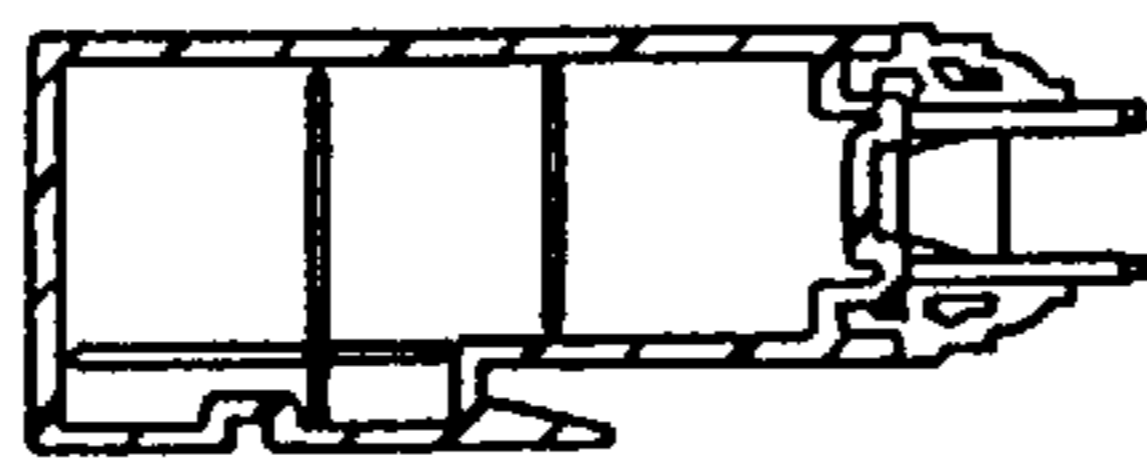


FIG. 9.

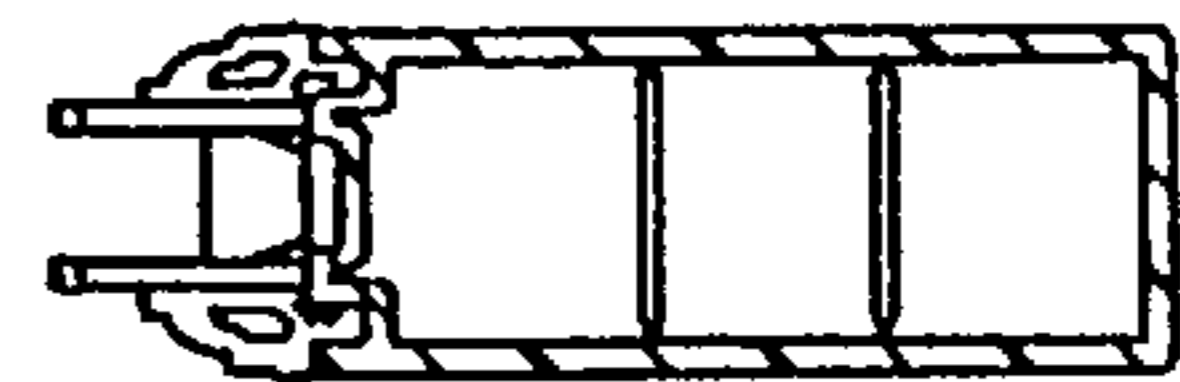


FIG. 10.