



US00D486916S

(12) **United States Design Patent**  
**Cheung et al.**

(10) **Patent No.:** **US D486,916 S**

(45) **Date of Patent:** **\*\* Feb. 17, 2004**

(54) **PATIENT MANAGEMENT MODULE**

(75) Inventors: **Andrew Cheung**, Burwood (AU);  
**Zdzislaw A. Ziolkowski**, Earlwood (AU)

(73) Assignee: **Resmed Limited**, North Ryde (AU)

(\*\*) Term: **14 Years**

(21) Appl. No.: **29/166,519**

(22) Filed: **Aug. 30, 2002**

(51) **LOC (7) Cl.** ..... **24-01**

(52) **U.S. Cl.** ..... **D24/186**

(58) **Field of Search** ..... D24/186, 164;  
600/529, 532-538; 128/204.23

(56) **References Cited**

**U.S. PATENT DOCUMENTS**

- 5,797,852 A \* 8/1998 Karakasoglu et al. .... 600/529
- 5,864,291 A \* 1/1999 Walton ..... 340/573.1
- 6,213,955 B1 \* 4/2001 Karakasoglu et al. .... 600/529
- 6,312,389 B1 \* 11/2001 Kofoed et al. .... 600/532

**OTHER PUBLICATIONS**

“Autoset Advantage—A Positive Future,” ResMed AutoSet® Spirit™ product brochure, ResMed Limited, 6 pages, Dec. 2001.

\* cited by examiner

*Primary Examiner*—Stella Reid

(74) *Attorney, Agent, or Firm*—Nixon & Vanderhye P.C.

(57) **CLAIM**

The ornamental design for a patient management module, as shown and described.

**DESCRIPTION**

FIG. 1 is a front perspective view of a patient management module, showing our new design, with the lid in closed position;

FIG. 2 is a rear perspective view thereof;

FIG. 3 is a front view thereof;

FIG. 4 is a rear view thereof;

FIG. 5 is a top view thereof;

FIG. 6 is a bottom view thereof;

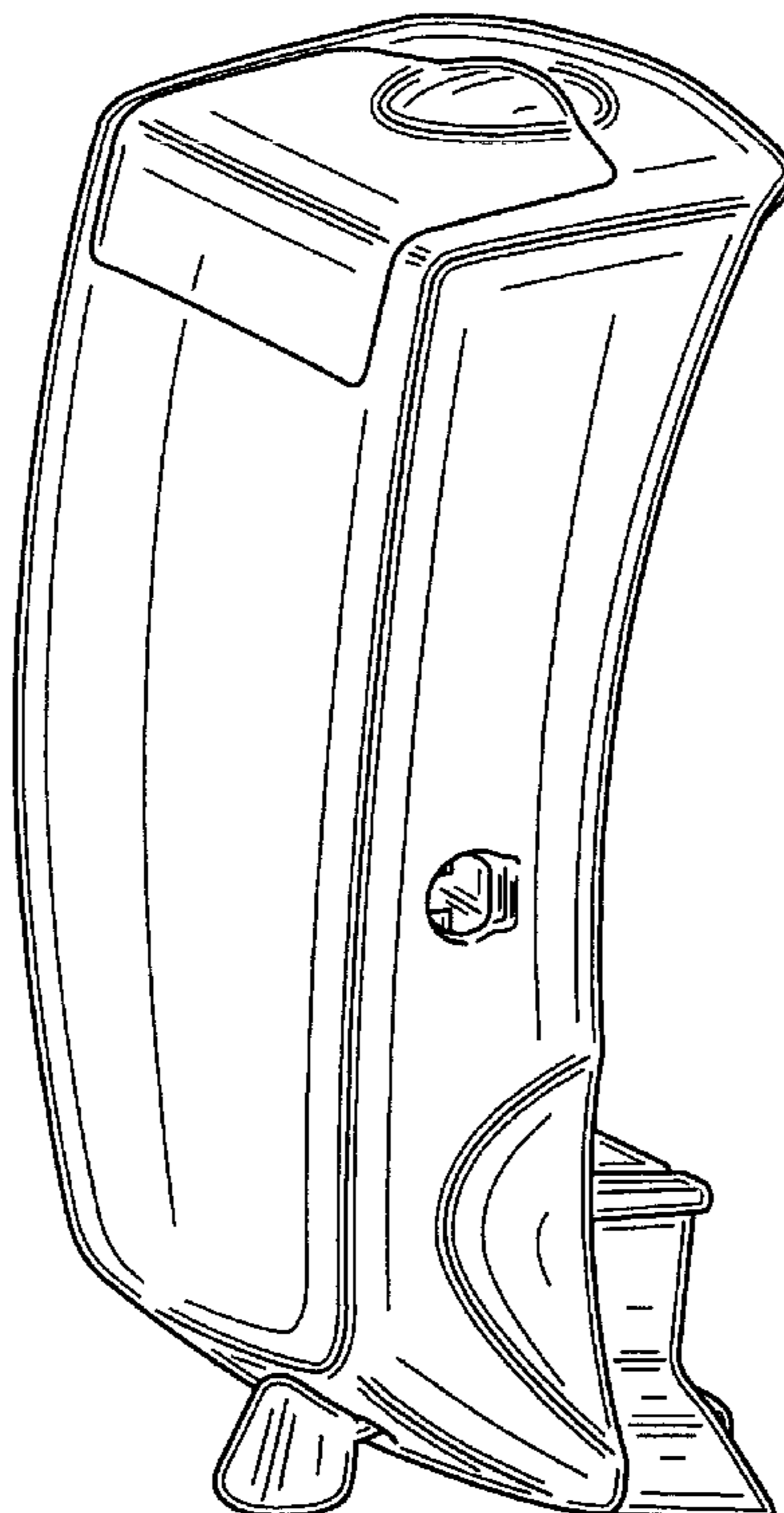
FIG. 7 is a left side view thereof;

FIG. 8 is a right side view thereof;

FIG. 9 is a rear perspective view thereof, with the lid removed; and,

FIG. 10 is a front perspective view thereof, with the lid attached and in open position.

**1 Claim, 5 Drawing Sheets**



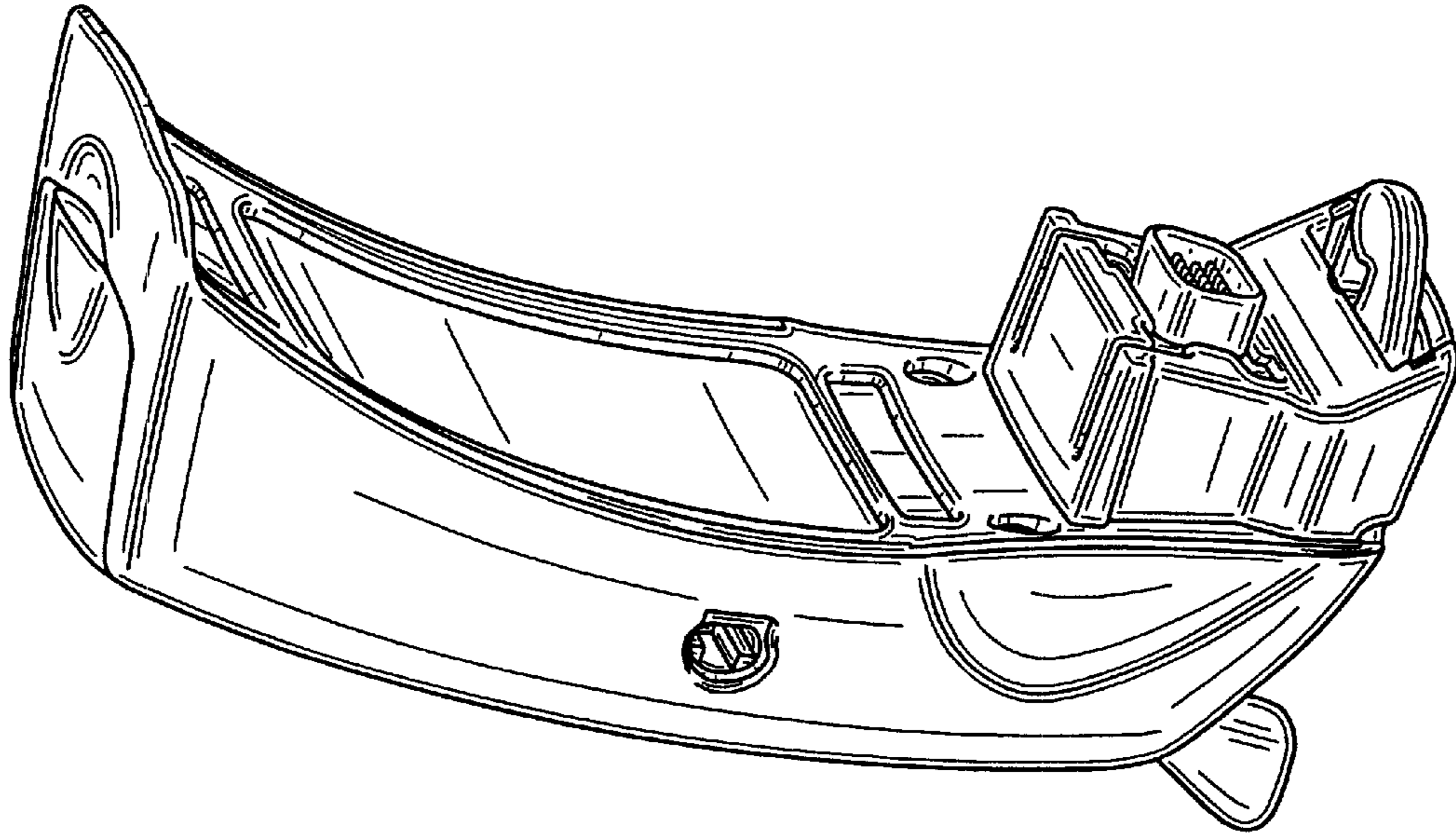


FIG. 2

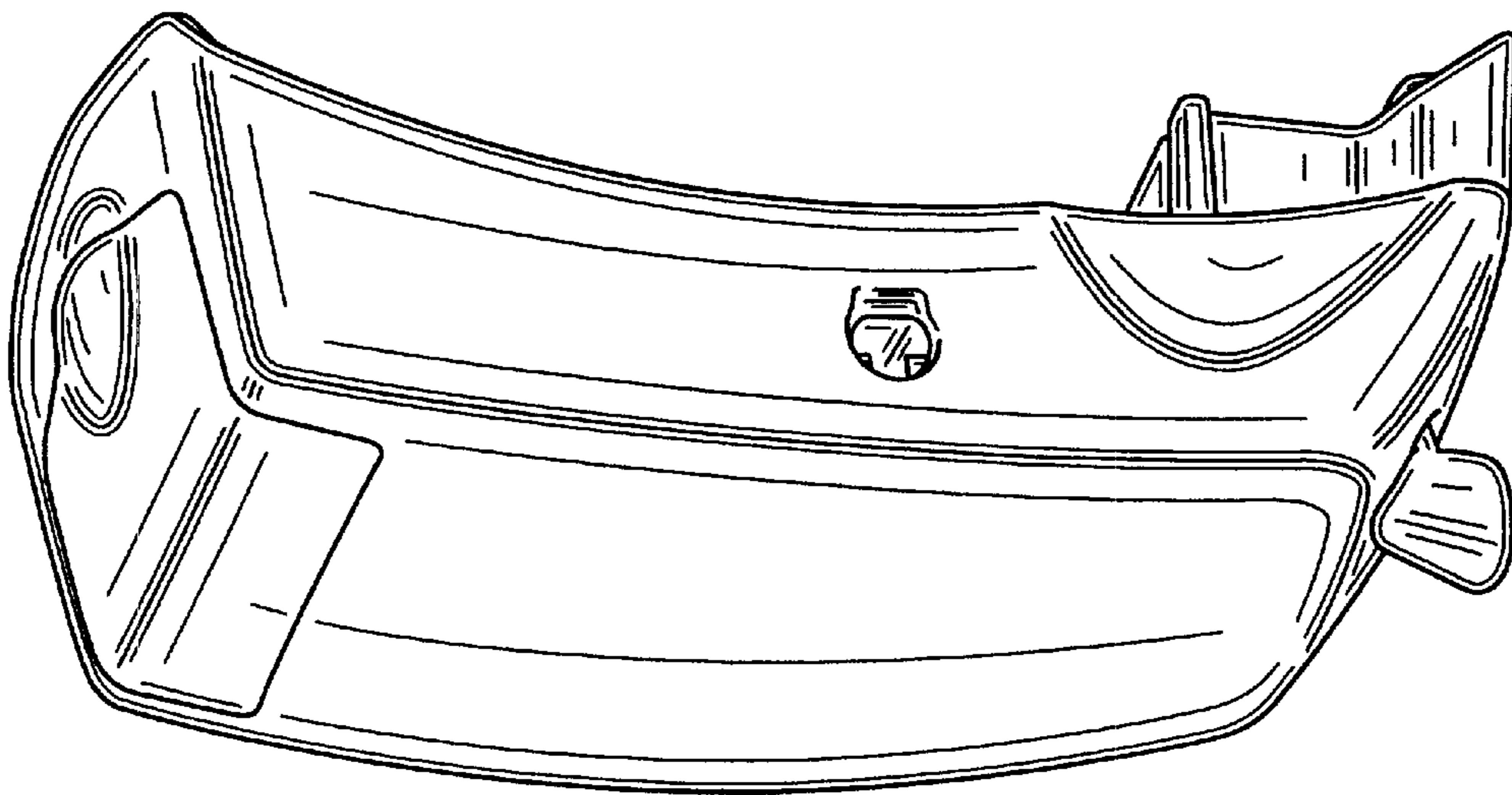


FIG. 1

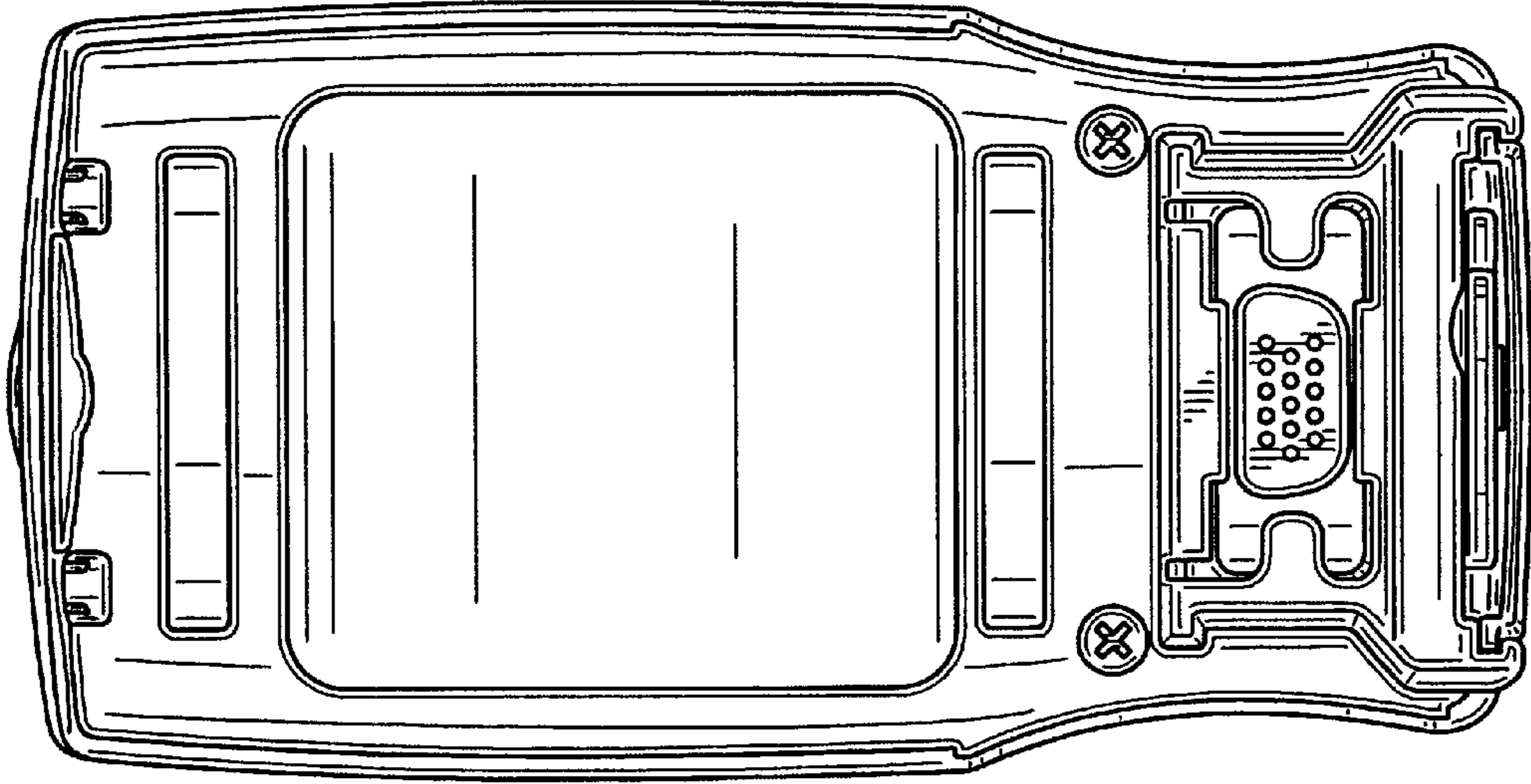


FIG. 4

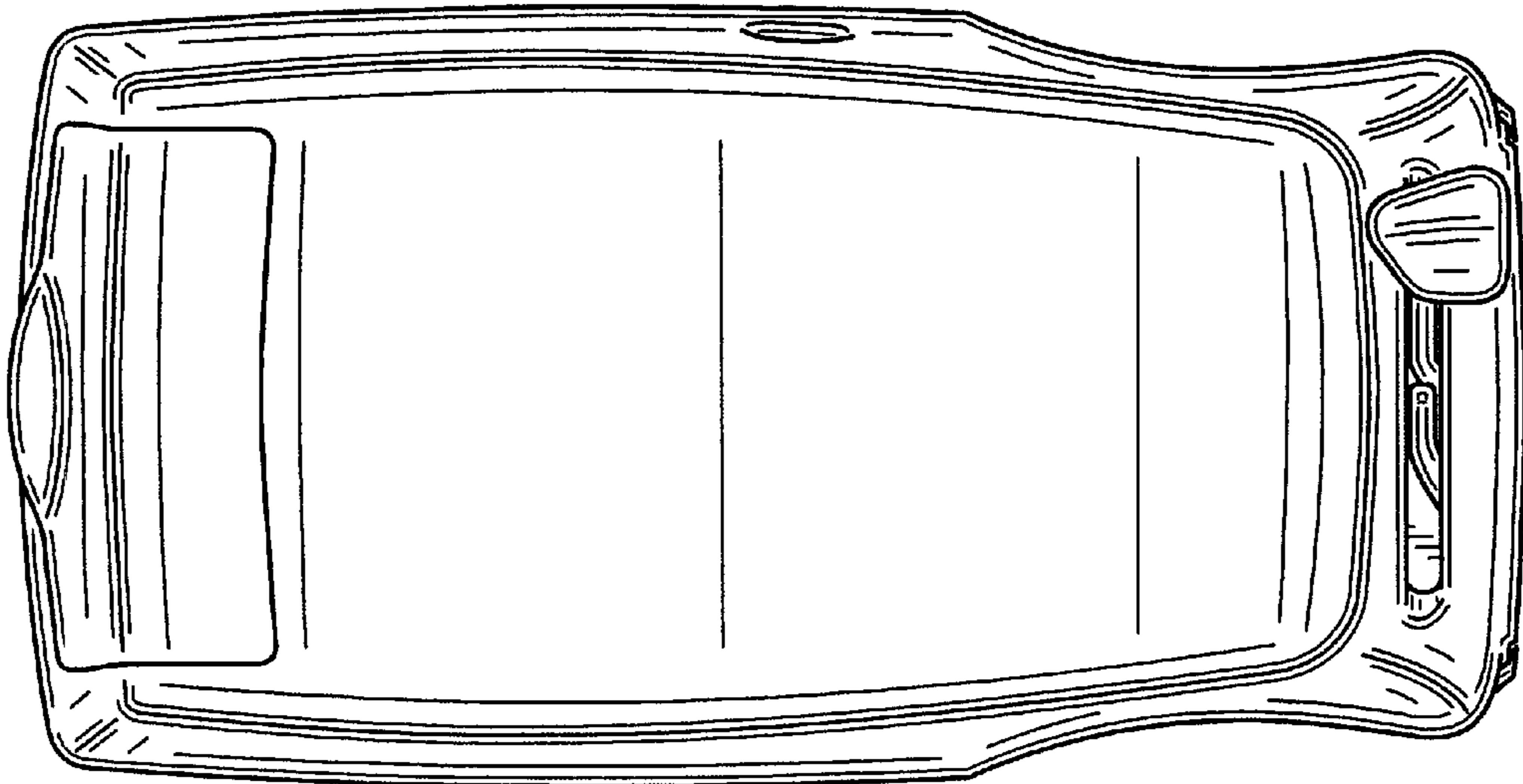


FIG. 3

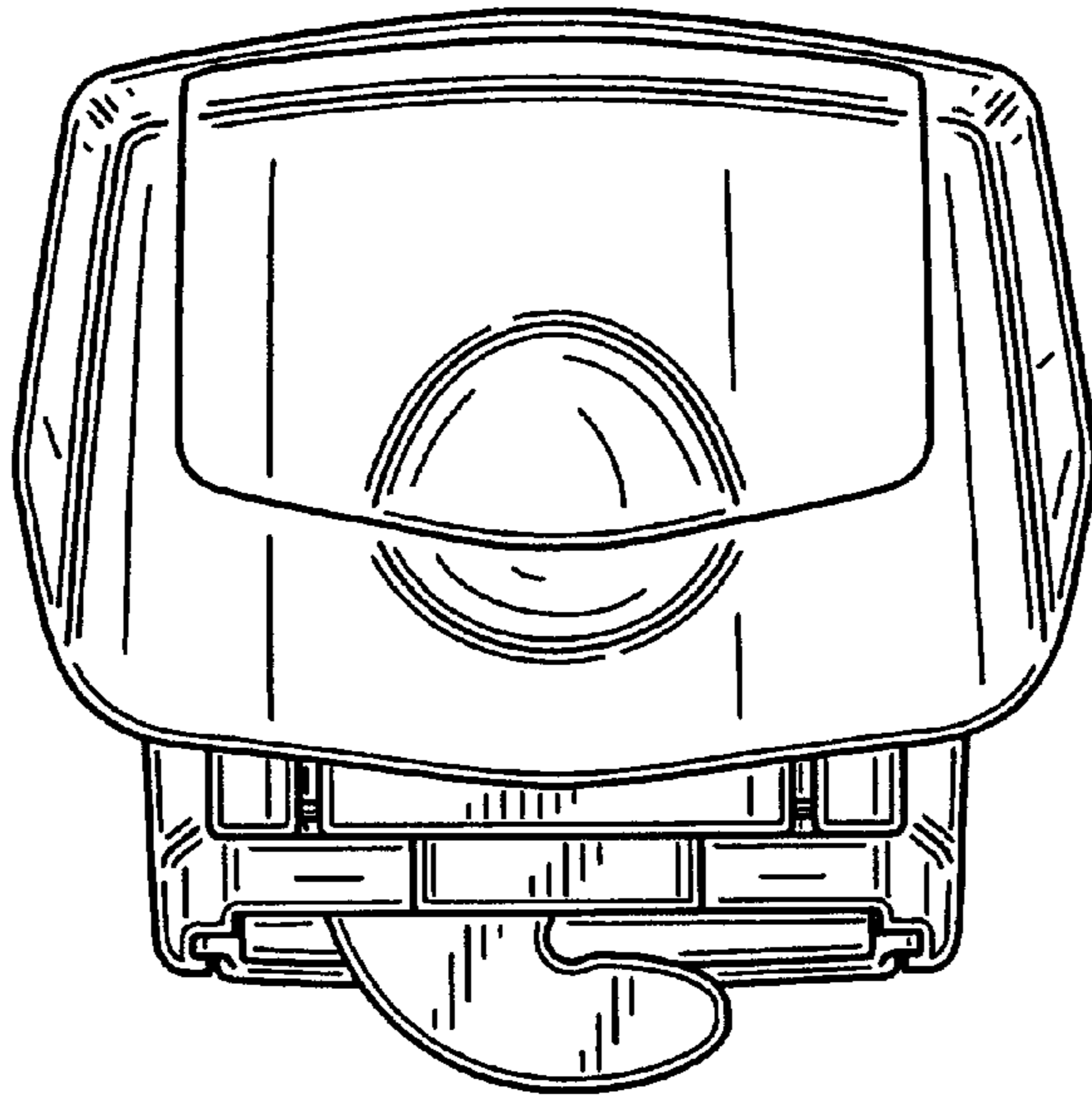


FIG. 5

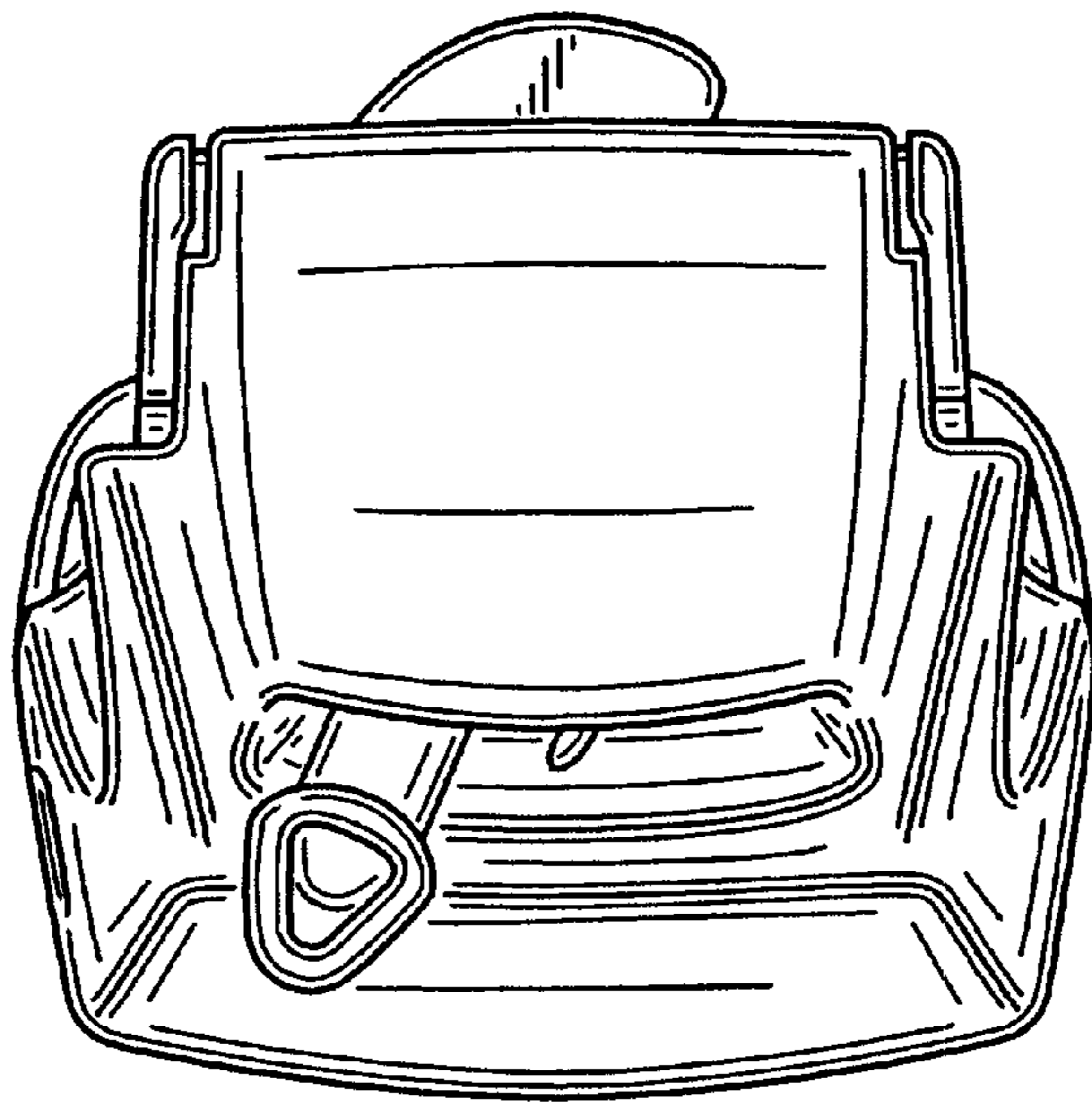


FIG. 6

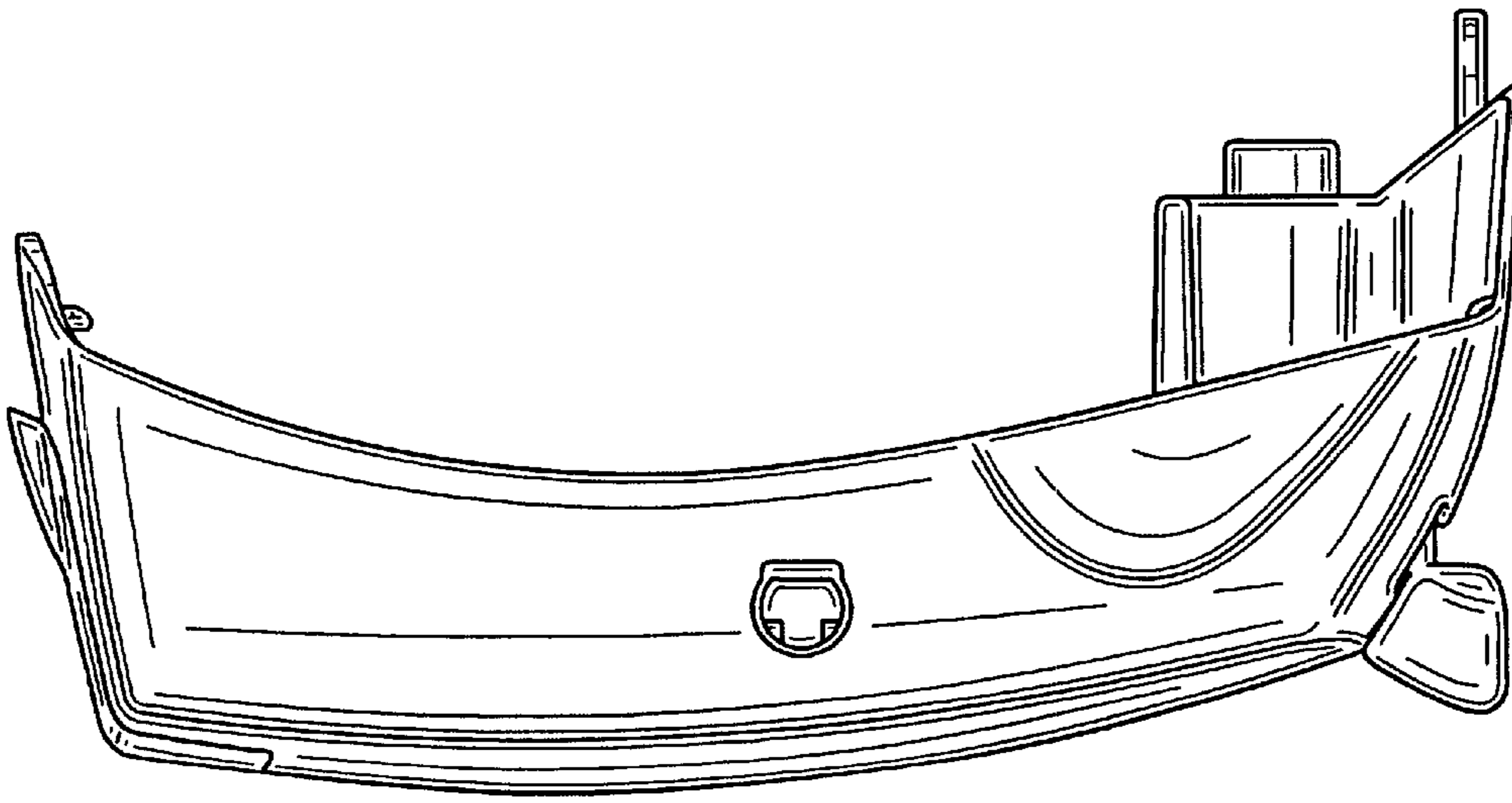


FIG. 8

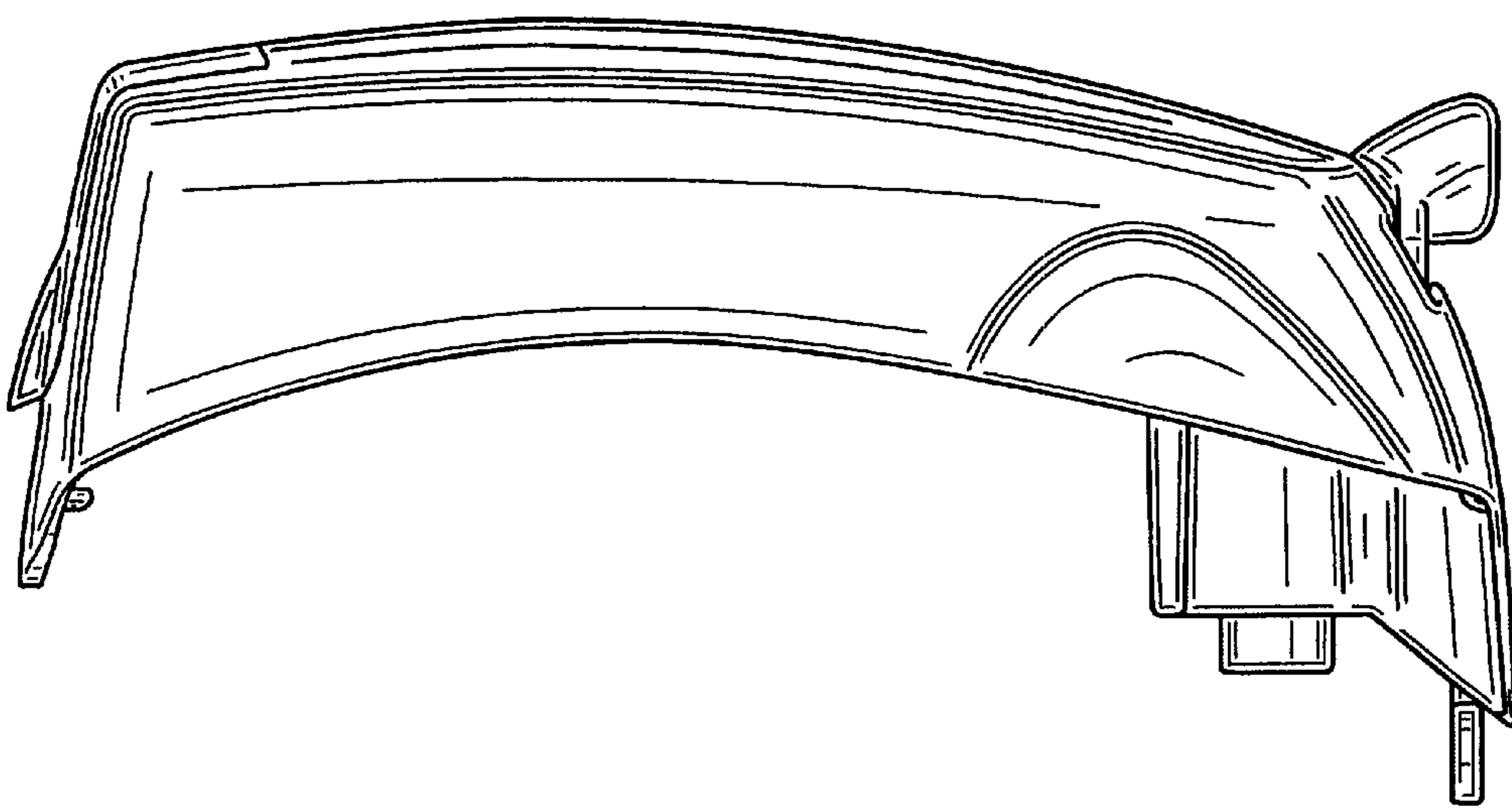


FIG. 7

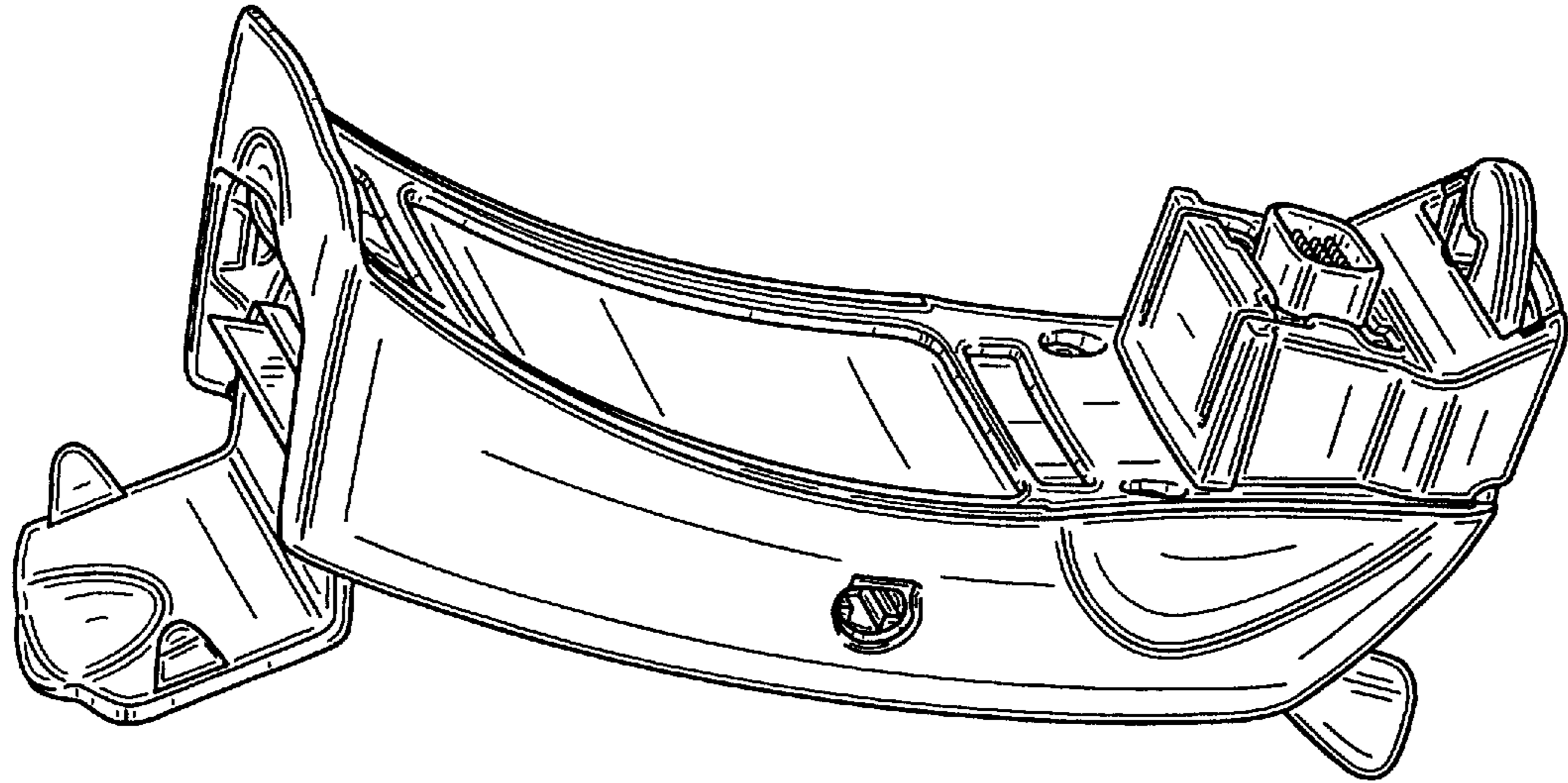


FIG. 10

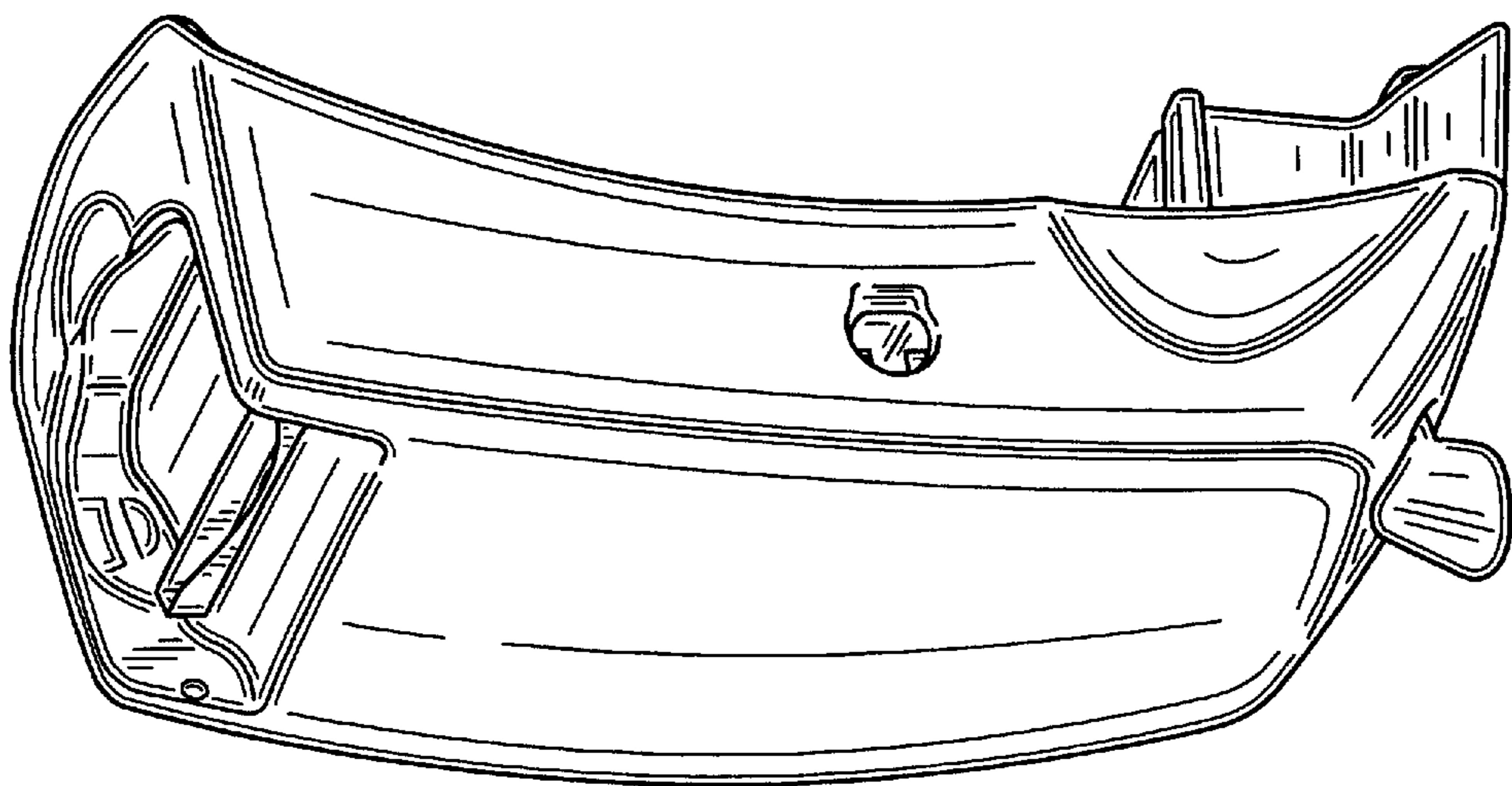


FIG. 9