



US00D486910S

(12) **United States Design Patent**
Hayamizu et al.

(10) **Patent No.:** **US D486,910 S**
(45) **Date of Patent:** **** Feb. 17, 2004**

(54) **ENDOSCOPE**

JP 1029118 1/1999

(75) Inventors: **Eiji Hayamizu**, Tokyo (JP); **Takayuki Ogino**, Saitama (JP)

OTHER PUBLICATIONS

Die neue Endoskop-Generation 485 der EVE-Serie 400 von Fujinon.

(73) Assignee: **Pentax Corporation**, Tokyo (JP)

* cited by examiner

(**) Term: **14 Years**

Primary Examiner—Ian Simmons

(21) Appl. No.: **29/166,264**

(74) *Attorney, Agent, or Firm*—Sughrue Mion, PLLC

(22) Filed: **Aug. 26, 2002**

(57) **CLAIM**

(30) **Foreign Application Priority Data**

The ornamental design for an endoscope, as shown and described.

Feb. 27, 2002	(JP)	2002-004976
Feb. 27, 2002	(JP)	2002-005038
Feb. 27, 2002	(JP)	2002-005039
Feb. 27, 2002	(JP)	2002-005040

DESCRIPTION

(51) **LOC (7) Cl.** **24-02**

FIG. 1 is a perspective view of the top, front and one end of an endoscope according to a first embodiment showing our new design;

(52) **U.S. Cl.** **D24/138**

FIG. 2 is a front elevational view thereof;

(58) **Field of Search** D24/138; 600/131, 600/132, 110, 158, 167, 168, 146, 147, 163, 197, 160, 148, 149, 138

FIG. 3 is a rear elevational view thereof;

FIG. 4 is an end elevational view of said one end thereof;

FIG. 5 is an end elevational view of an opposite end thereof;

FIG. 6 is a top plan view thereof;

FIG. 7 is a bottom plan view thereof;

FIG. 8 is a view similar to FIG. 1 according to a second embodiment;

FIG. 9 is a front elevational view thereof;

FIG. 10 is a rear elevational view thereof;

FIG. 11 is an end elevational view of said one end thereof;

FIG. 12 is an end elevational view of an opposite end thereof;

FIG. 13 is a top plan view thereof; and,

FIG. 14 is a bottom plan view thereof.

The elements shown in broken lines are for illustrative purposes only and form part of the claimed design.

(56) **References Cited**

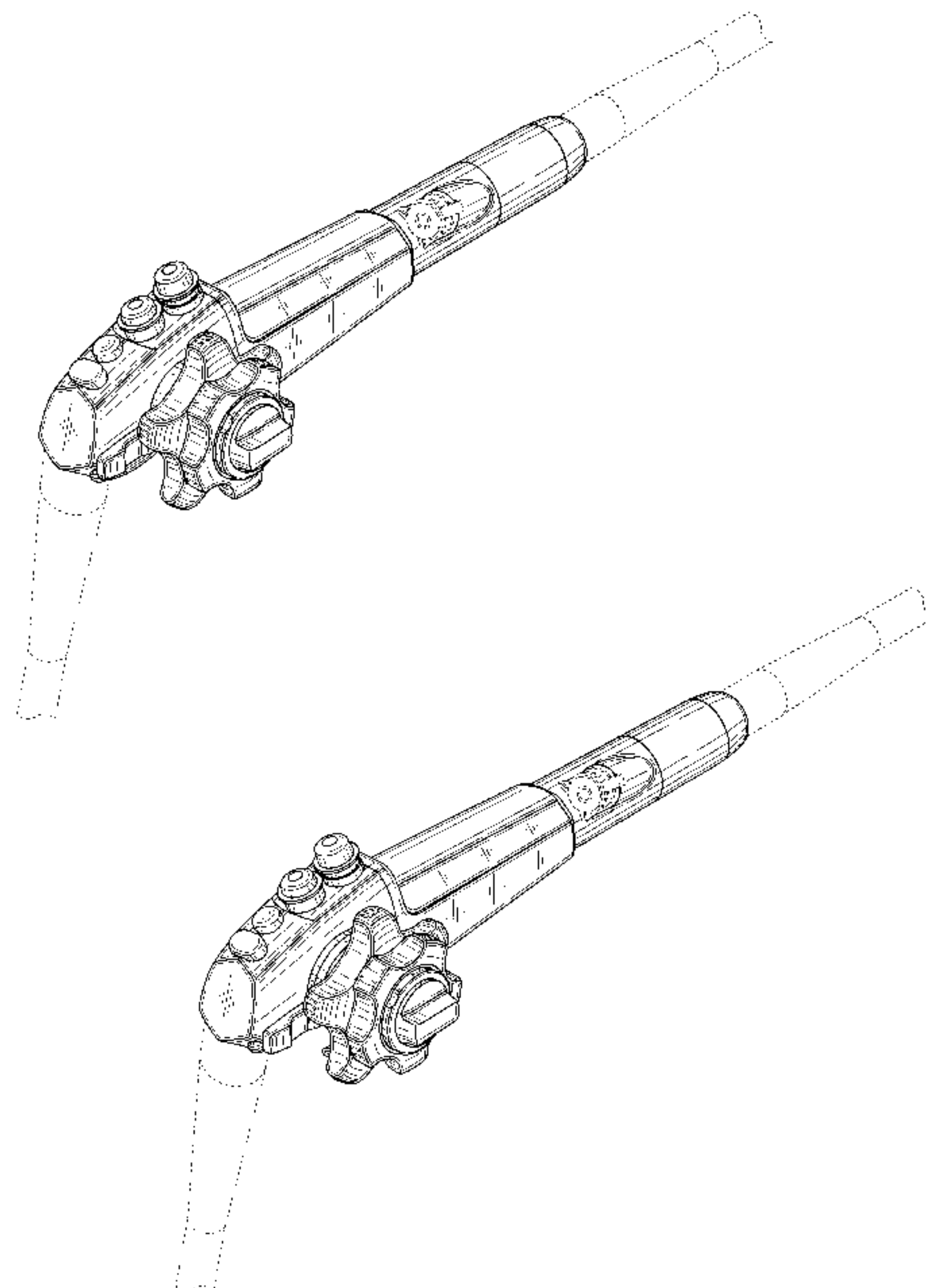
U.S. PATENT DOCUMENTS

D269,457	S	*	6/1983	Ishiwara	D24/138
D277,406	S	*	1/1985	Imada	D24/138
D277,505	S	*	2/1985	Kubokawa et al.	D24/138
4,617,914	A	*	10/1986	Ueda	600/148
5,667,476	A	*	9/1997	Frassica et al.	600/146
5,993,381	A	*	11/1999	Ito	600/167
6,443,888	B1	*	9/2002	Ogura et al.	600/132
6,491,627	B1	*	12/2002	Komi	600/146
6,520,908	B1	*	2/2003	Ikeda et al.	600/132

FOREIGN PATENT DOCUMENTS

JP 932630 8/1995

1 Claim, 10 Drawing Sheets



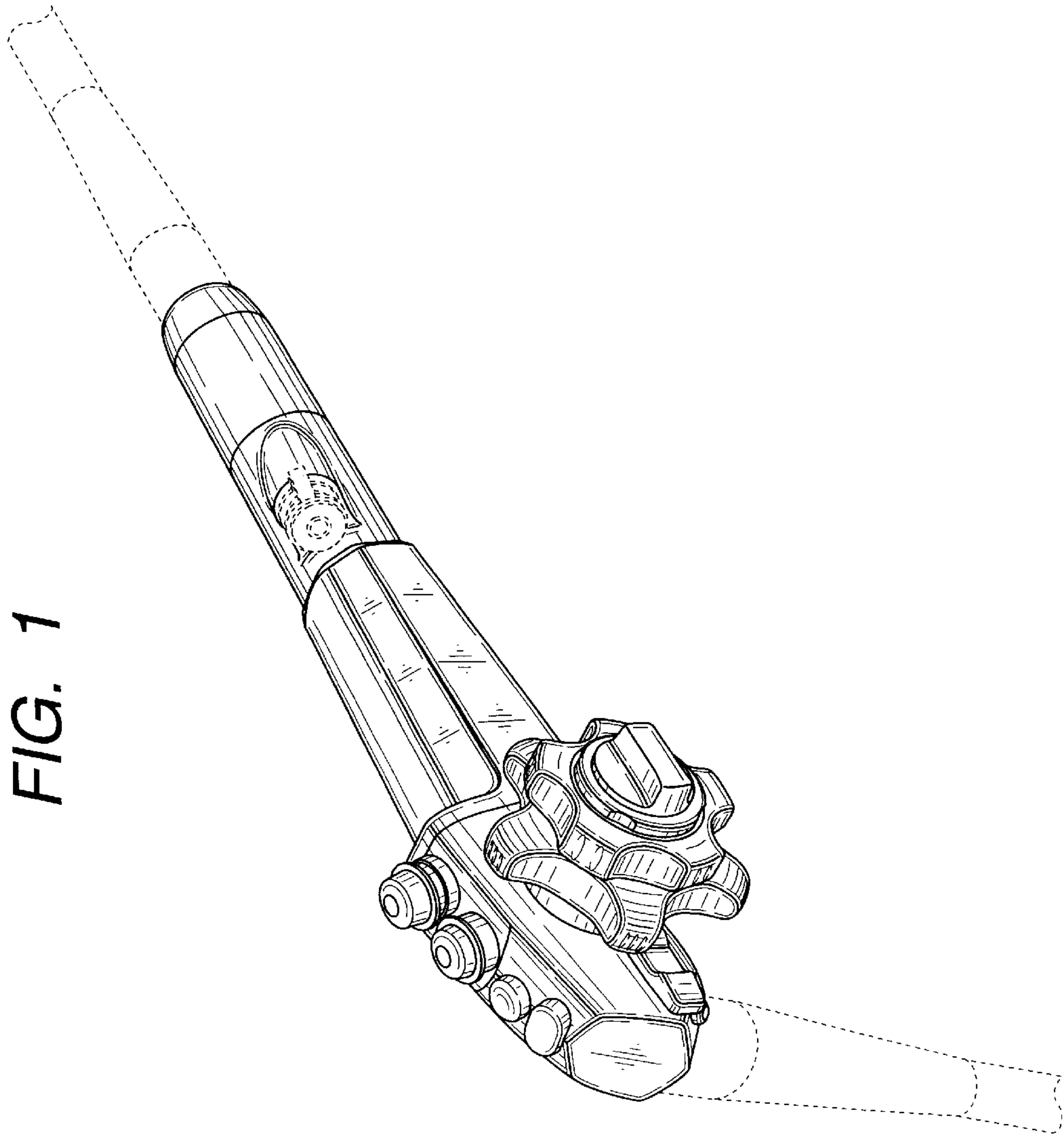


FIG. 1

FIG. 2

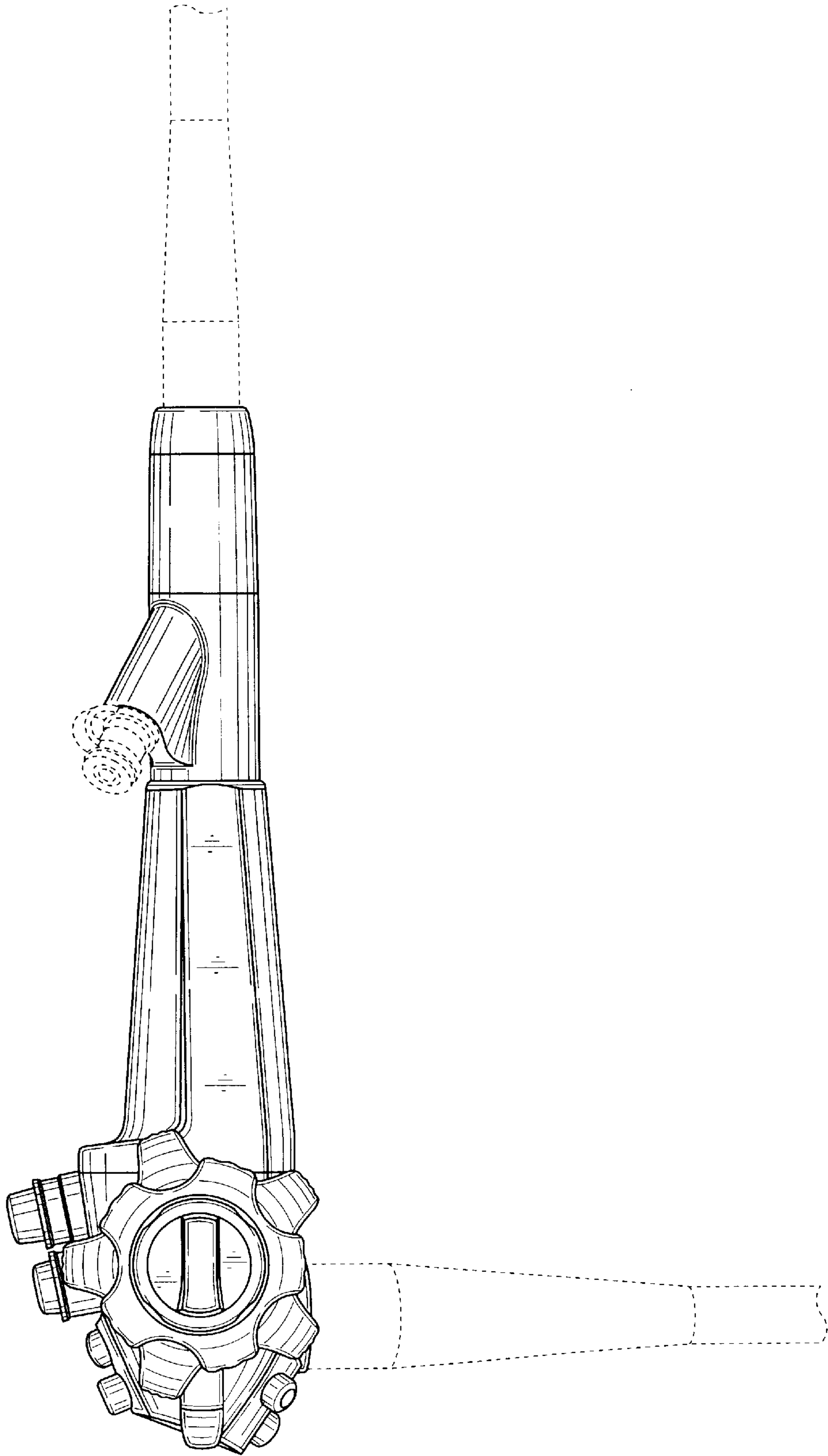


FIG. 3

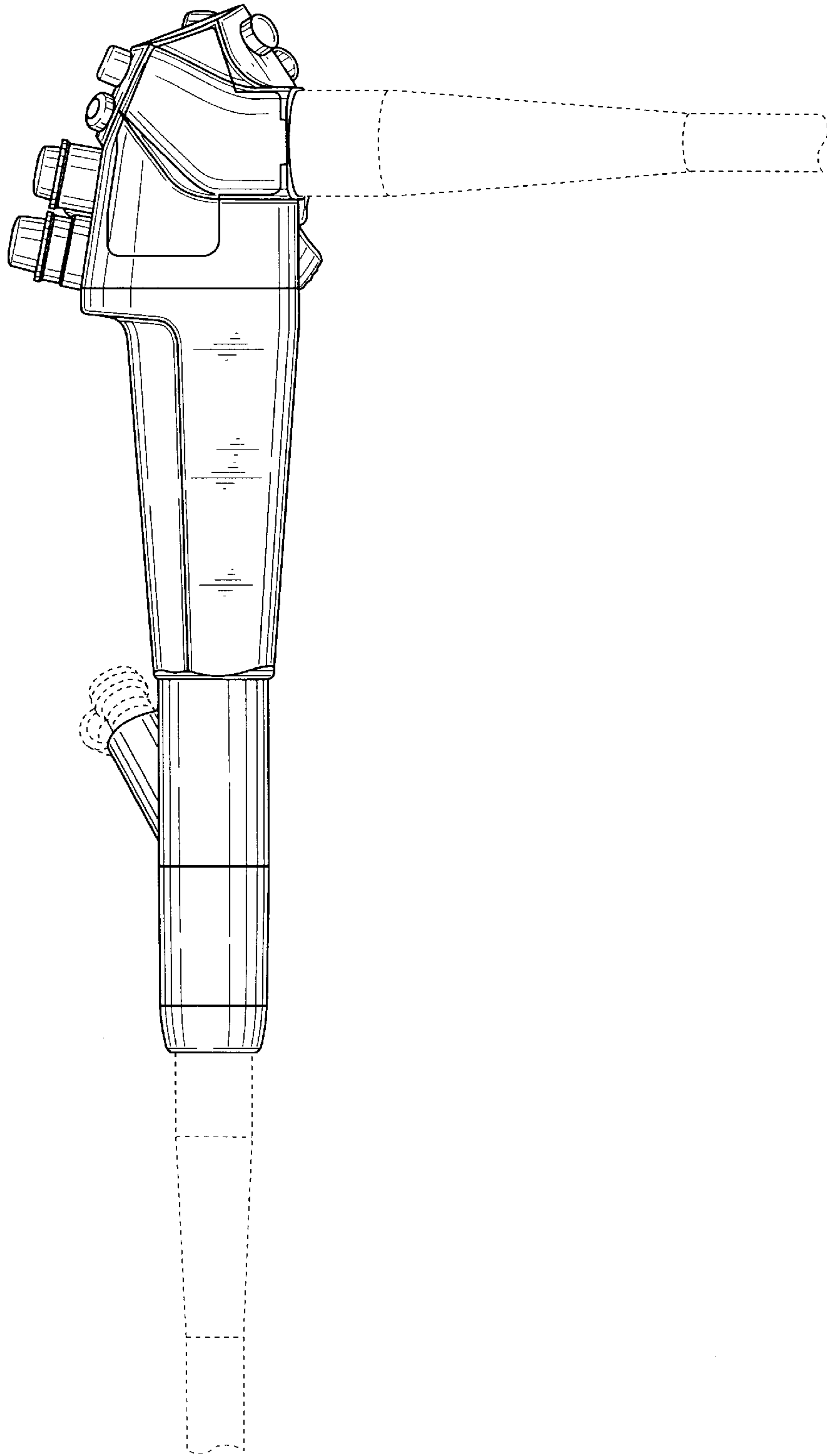


FIG. 4

FIG. 5

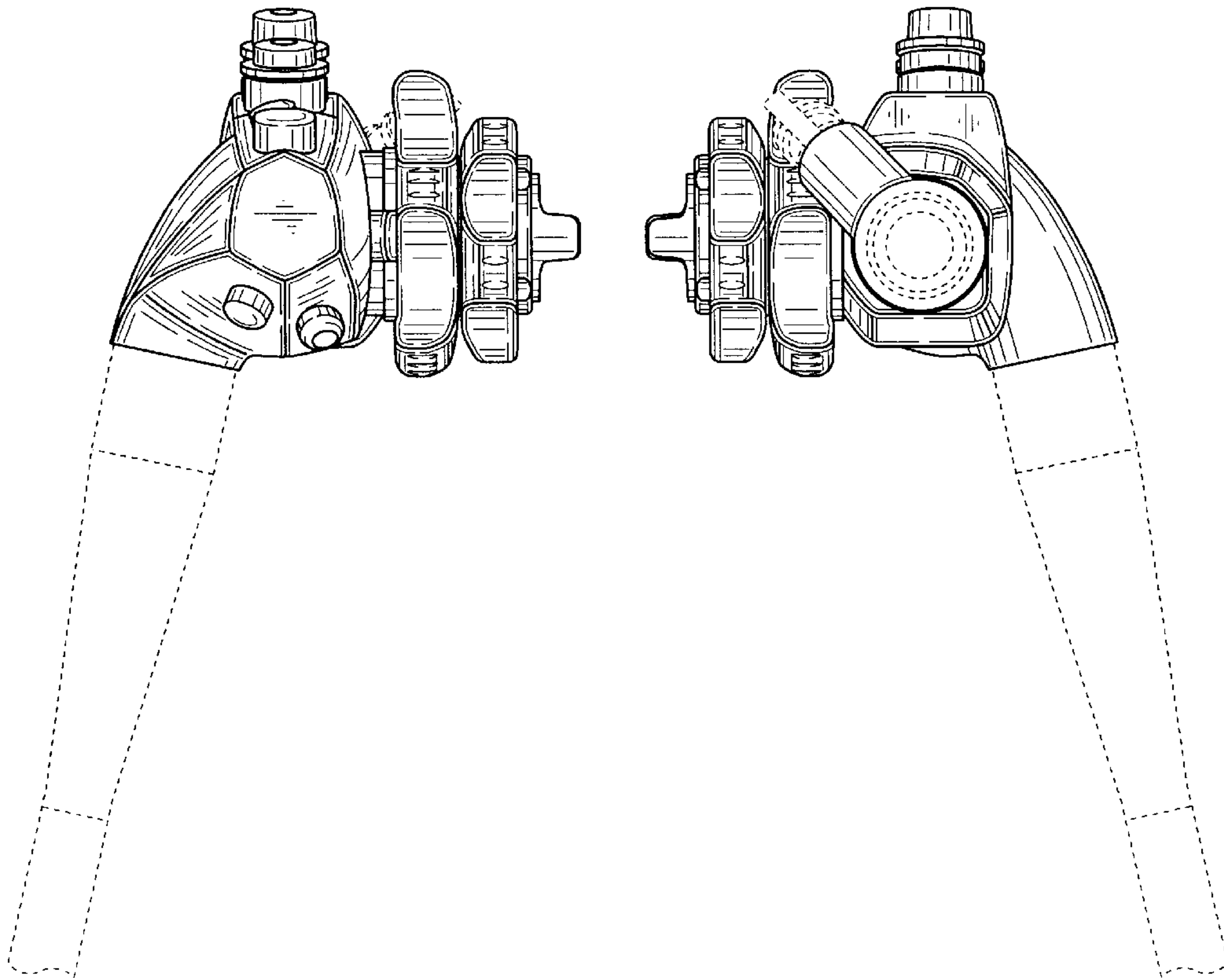


FIG. 6

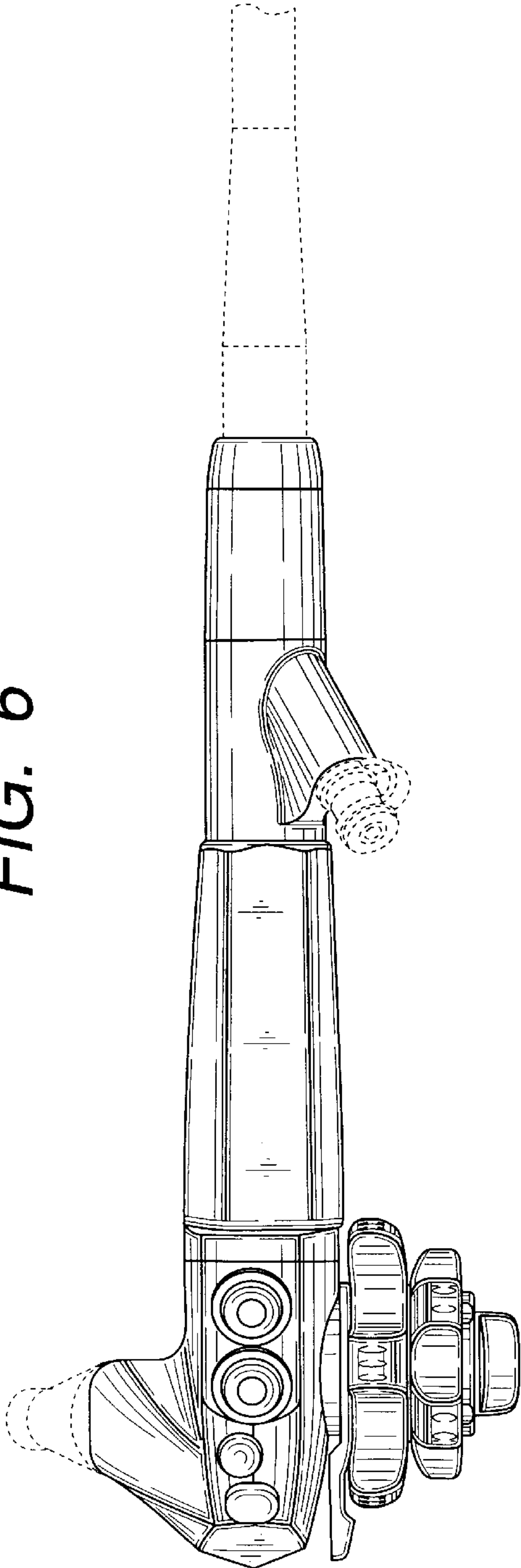
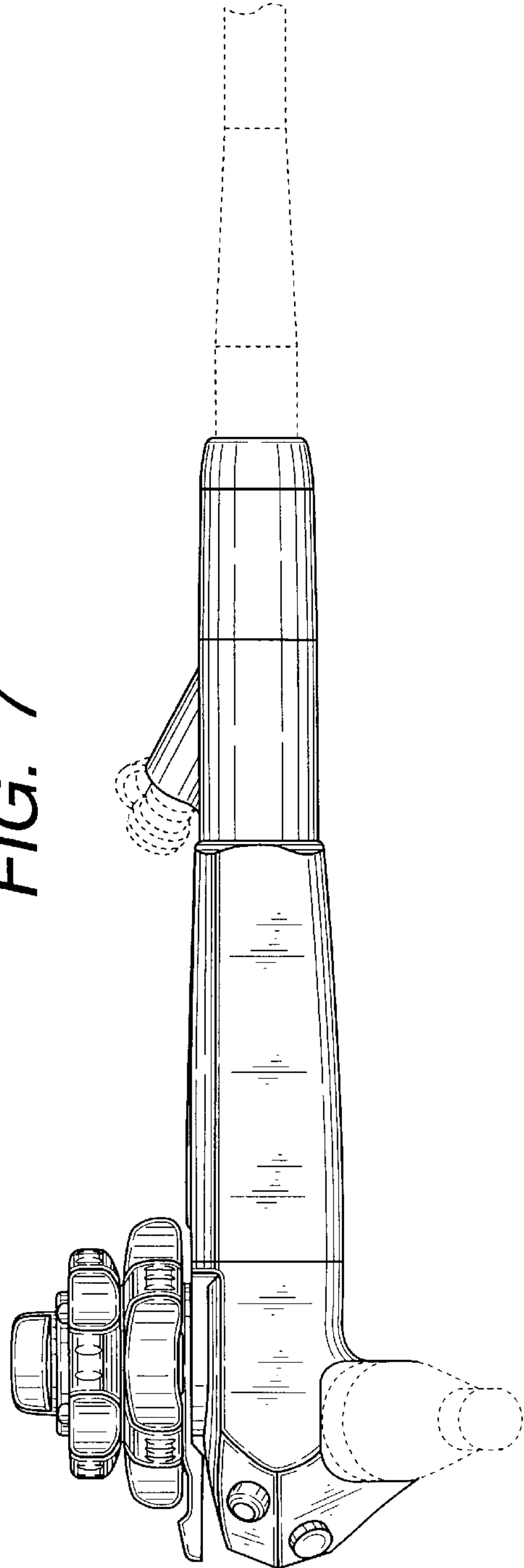


FIG. 7



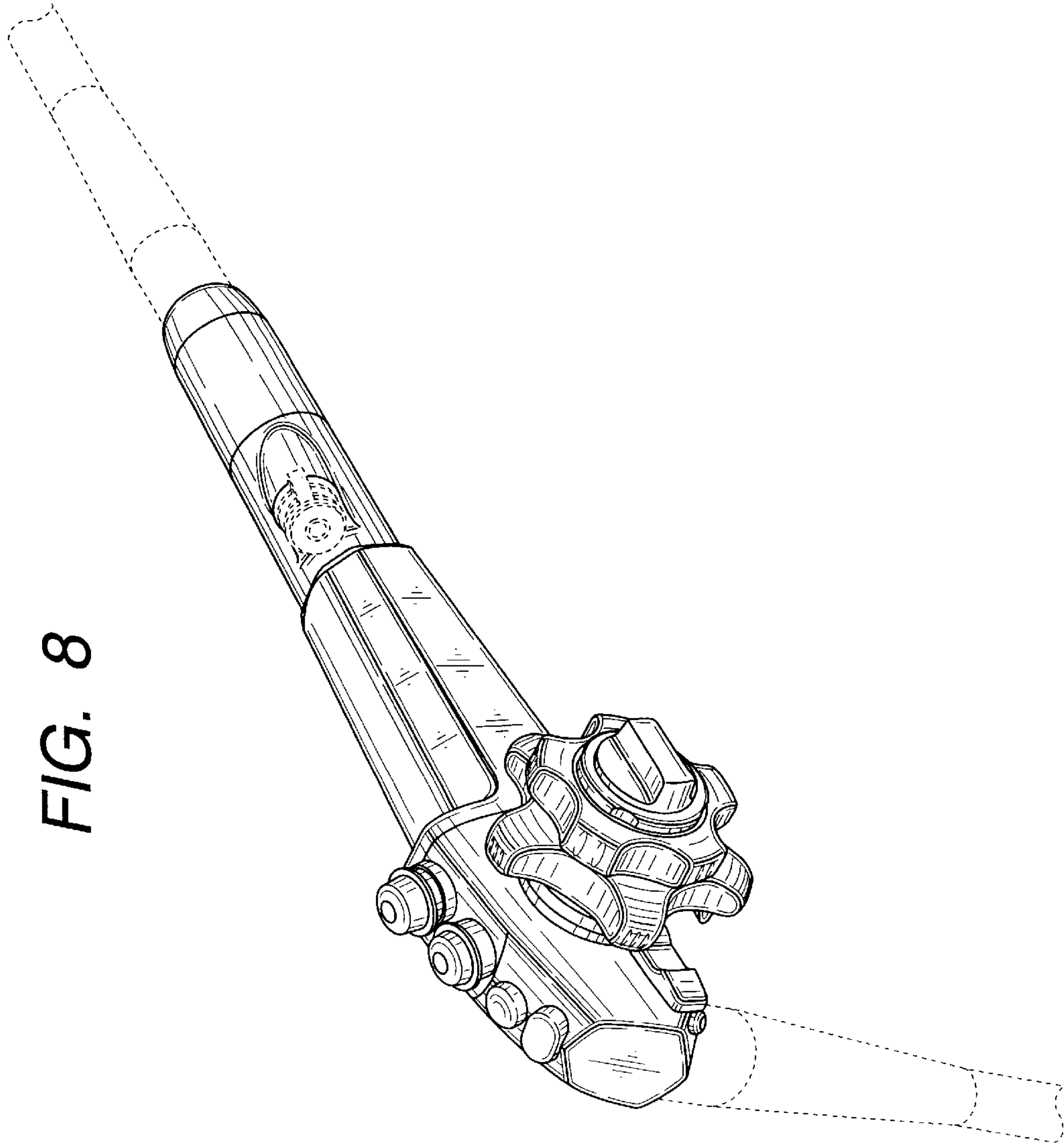


FIG. 8

FIG. 9

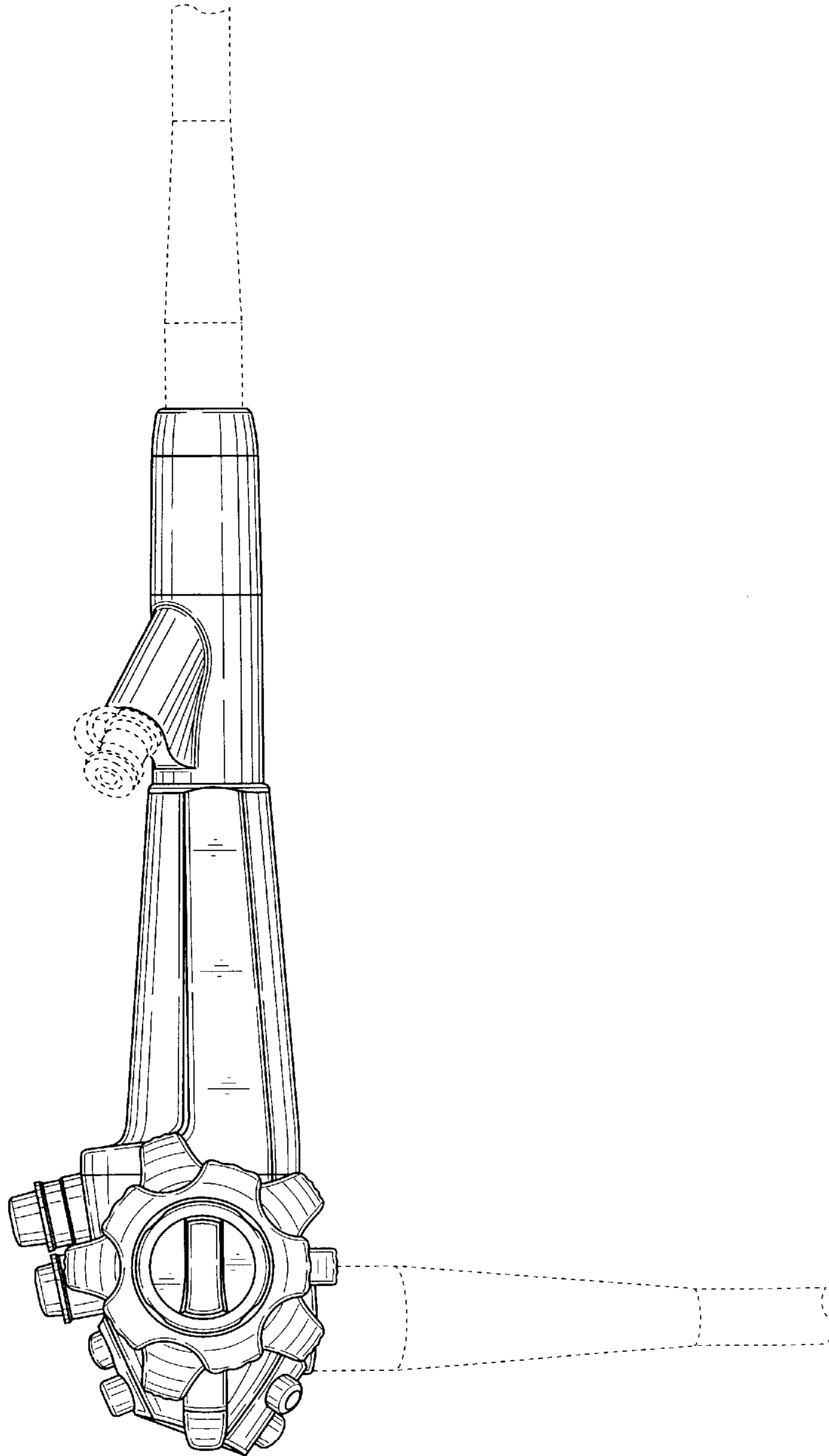


FIG. 10

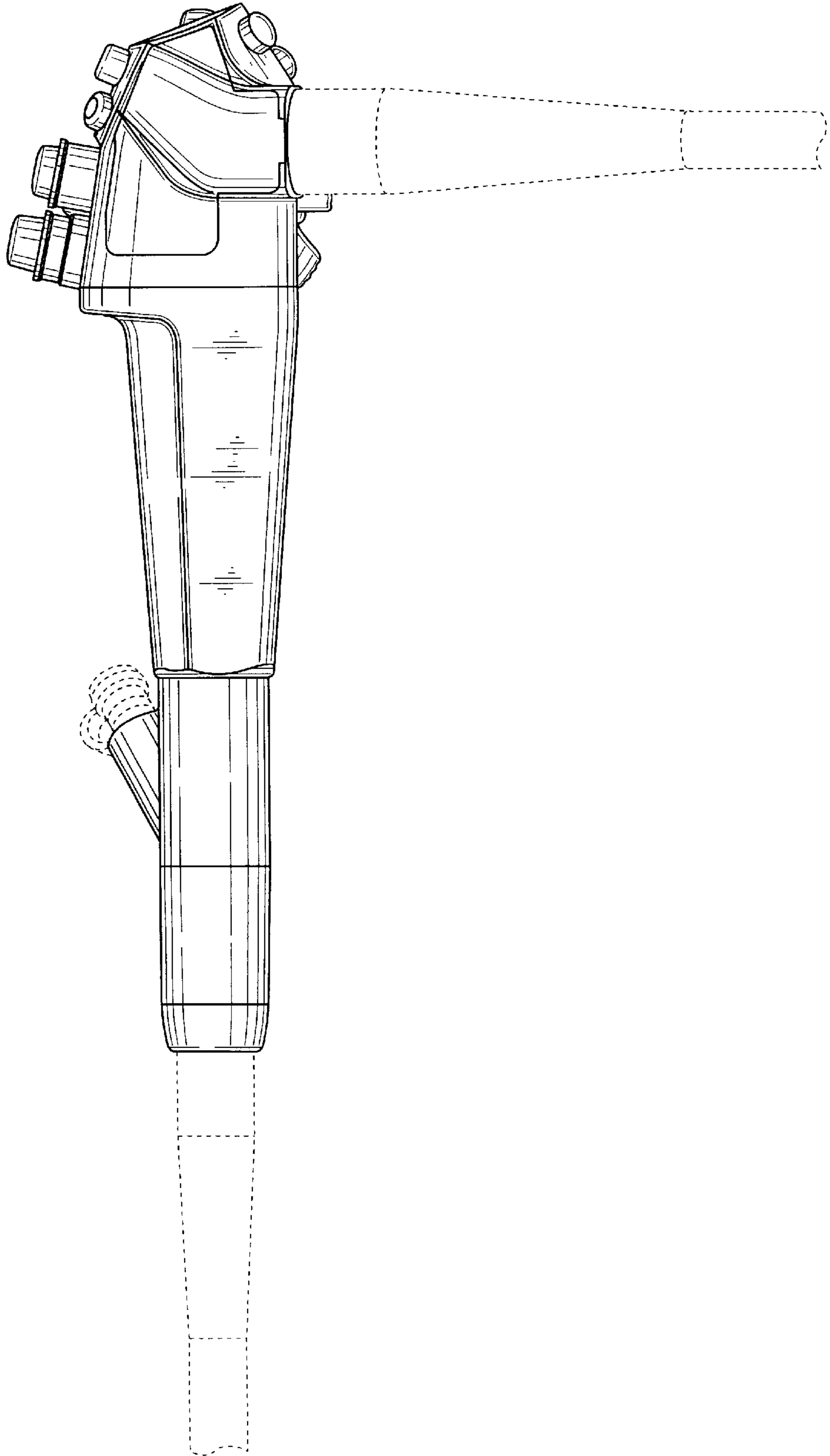


FIG. 11

FIG. 12

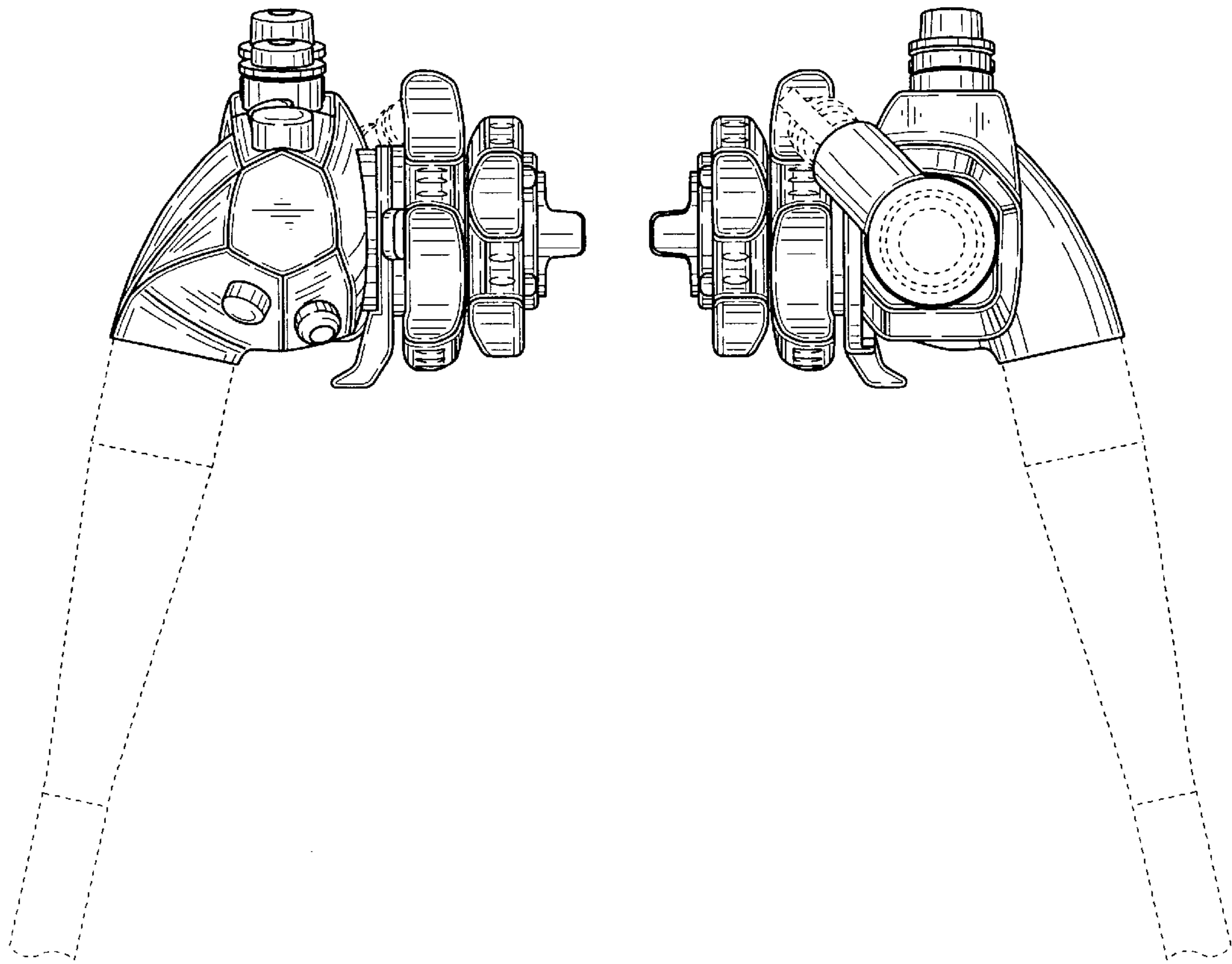


FIG. 13

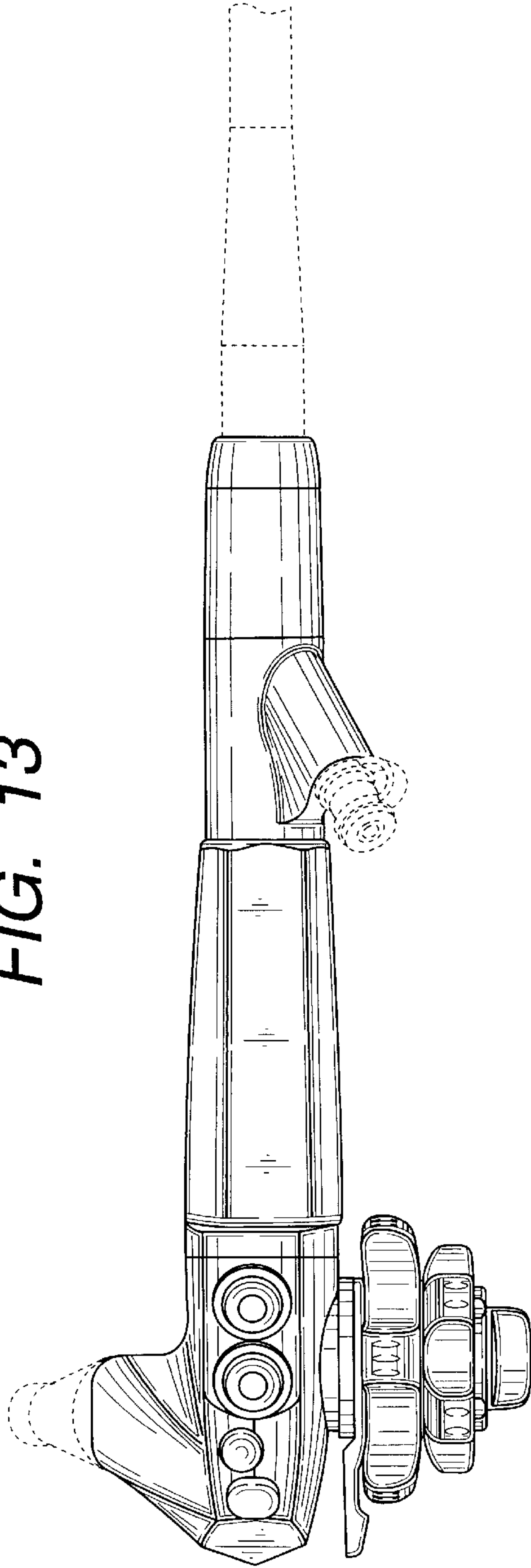


FIG. 14

