



US00D486908S

(12) **United States Design Patent**  
**Himbert et al.**

(10) **Patent No.:** **US D486,908 S**

(45) **Date of Patent:** **\*\* Feb. 17, 2004**

(54) **SNAP-ON GRIP FOR AN INJECTOR**

D478,665 S \* 8/2003 Isaacs et al. .... D24/133

(75) Inventors: **Hans Himbert**, Bromma (SE); **Birger Hjertman**, Vallingby (SE)

\* cited by examiner

*Primary Examiner*—Ian Simmons

(73) Assignee: **Pharmacia AB**, Stockholm (SE)

(74) *Attorney, Agent, or Firm*—Young & Thompson

(\*\*) Term: **14 Years**

(57) **CLAIM**

(21) Appl. No.: **29/169,105**

The ornamental design for a snap-on grip for an injector, as shown and described.

(22) Filed: **Oct. 16, 2002**

**DESCRIPTION**

(30) **Foreign Application Priority Data**

Apr. 16, 2002 (SE) ..... 02-0633

(51) **LOC (7) Cl.** ..... **24-02**

(52) **U.S. Cl.** ..... **D24/114; D24/113; D24/133; D24/147**

(58) **Field of Search** ..... D24/133, 114, D24/146, 147, 113; D8/300, 302, 80, 314, 315, 78, 67, 68; 604/191, 209, 208, 294, 70, 207, 200, 211, 227, 232

FIG. 1 is a bottom and side perspective view of a snap-on grip for an injector, showing our new design;

FIG. 2 is a top and side perspective view thereof;

FIG. 3 is a side elevational view thereof;

FIG. 4 is a side elevational view opposite that shown in FIG. 3

FIG. 5 is a front elevational view thereof;

FIG. 6 is a rear side elevational view thereof;

FIG. 7 is a bottom plan view thereof;

FIG. 8 is a top plan view thereof;

FIG. 9 is a left side perspective view thereof; and,

FIG. 10 is a left side elevational view thereof.

The broken lines in FIGS. 9 and 10 are for illustrative purpose only and form no part of the claimed design.

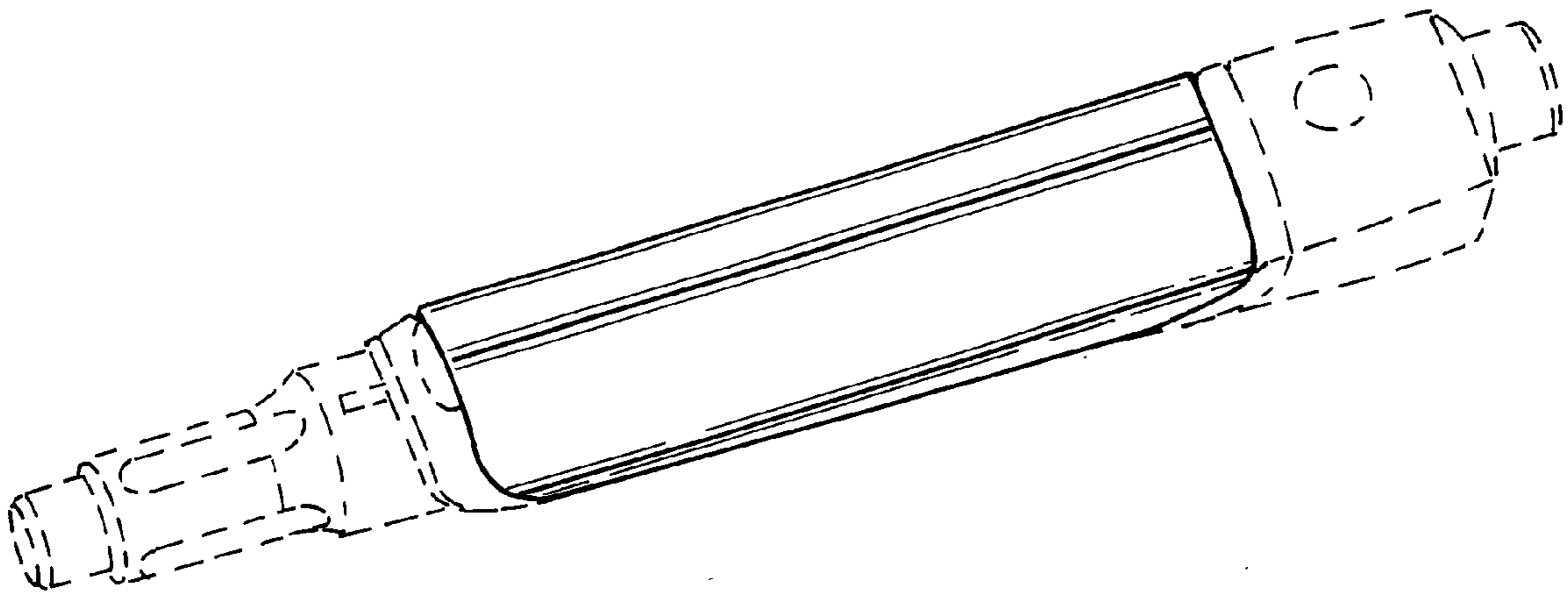
(56) **References Cited**

**U.S. PATENT DOCUMENTS**

5,584,815 A \* 12/1996 Pawelka et al. .... 604/191

6,599,272 B1 \* 7/2003 Hjertman et al. .... 604/209

**1 Claim, 3 Drawing Sheets**



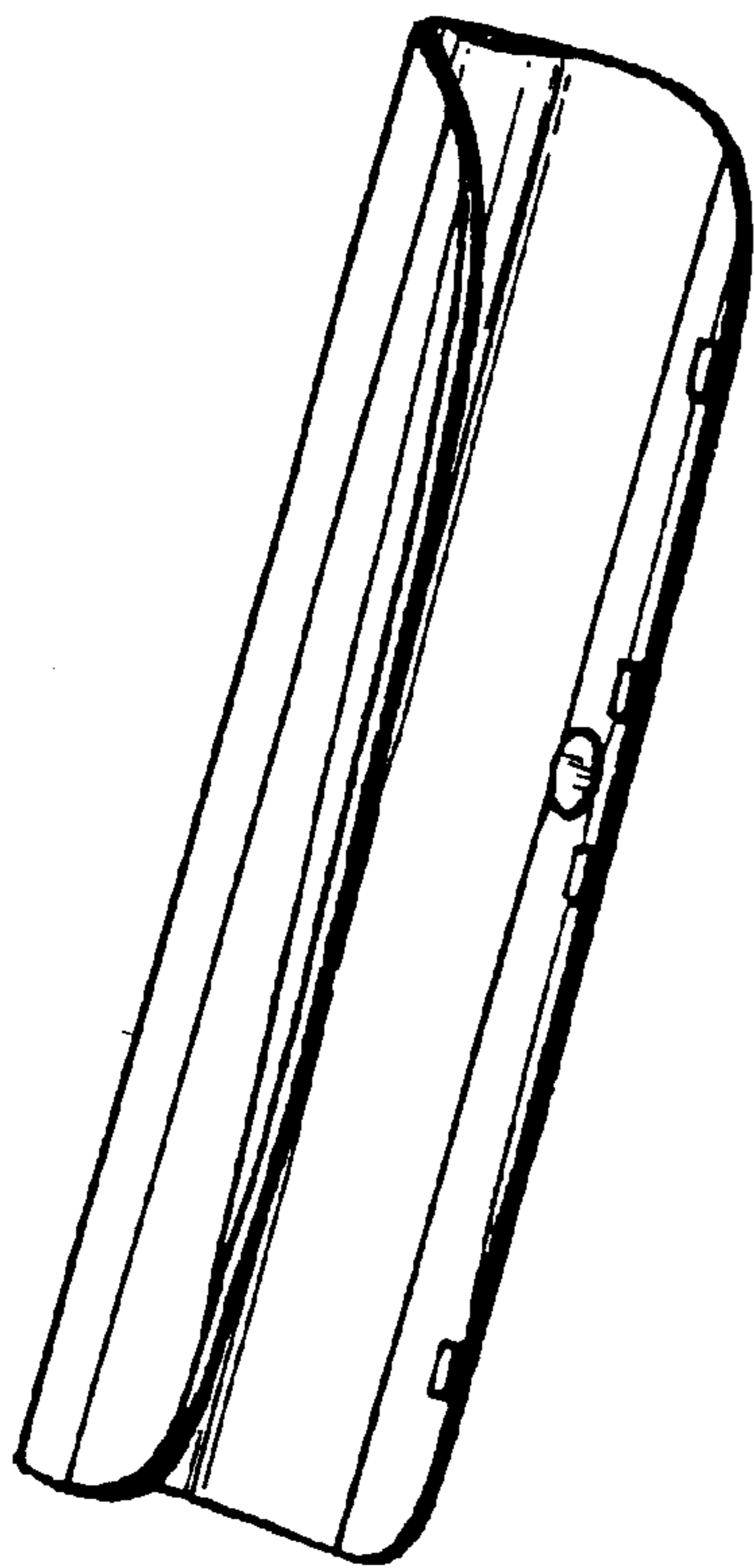


FIG. 1

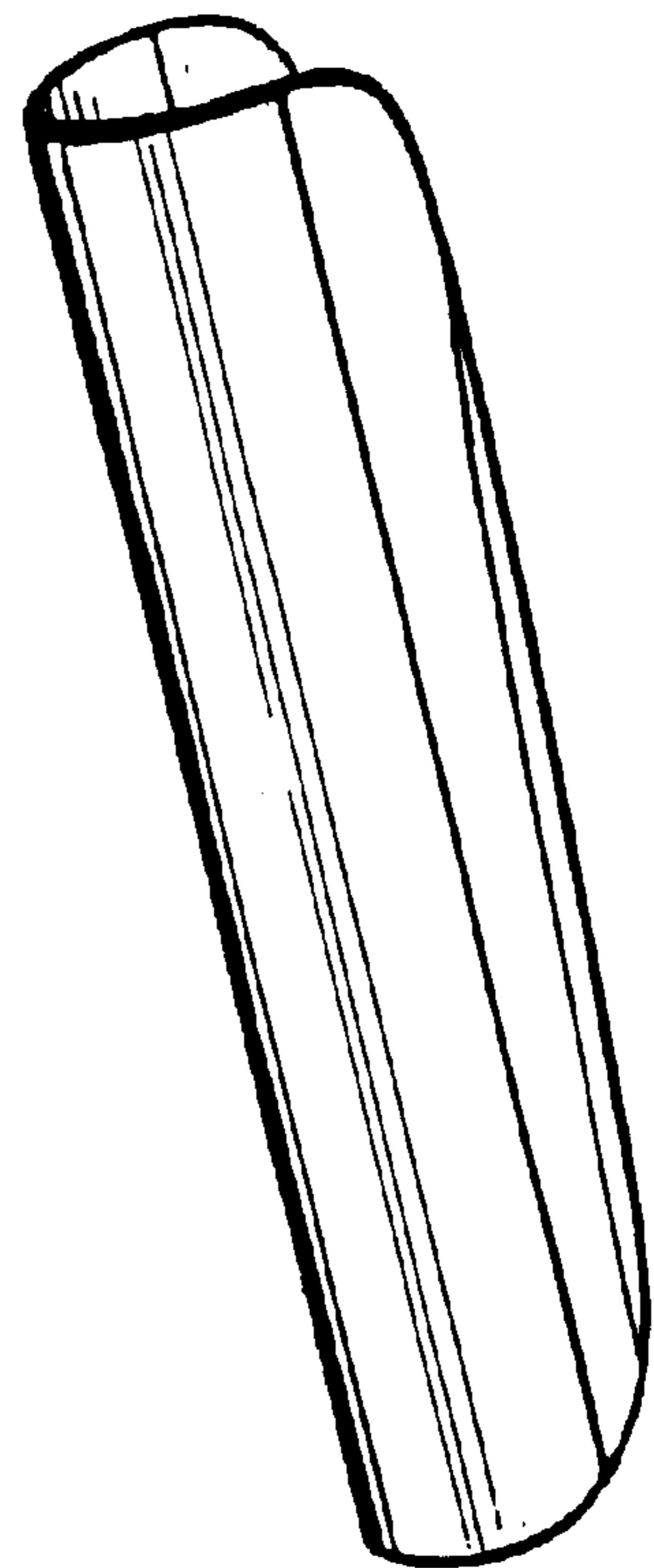


FIG. 2

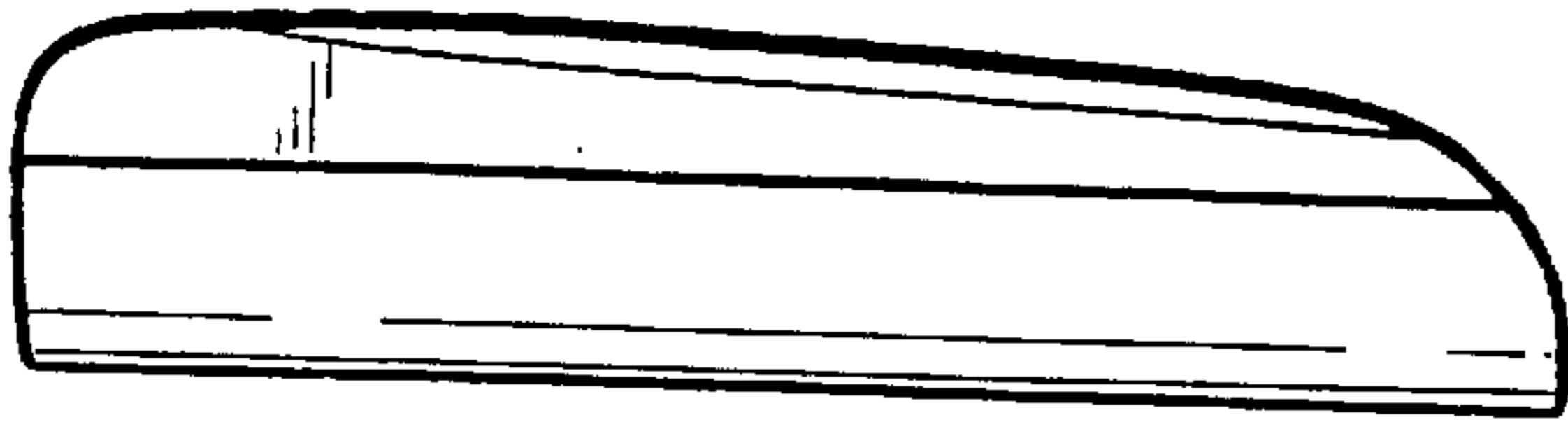


FIG. 3

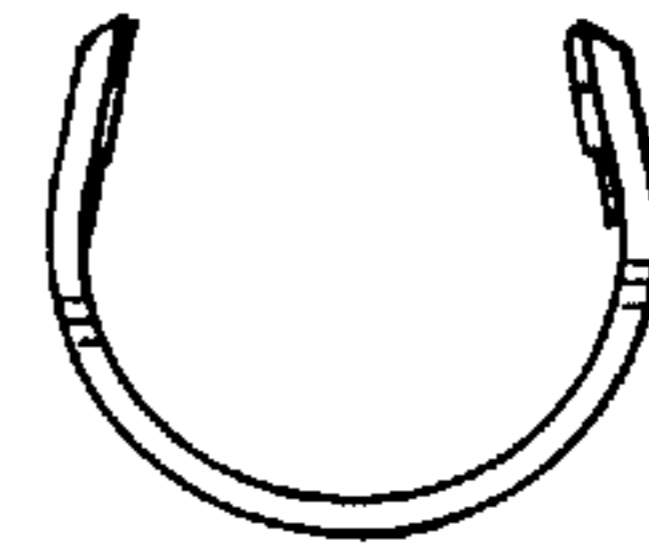


FIG. 5

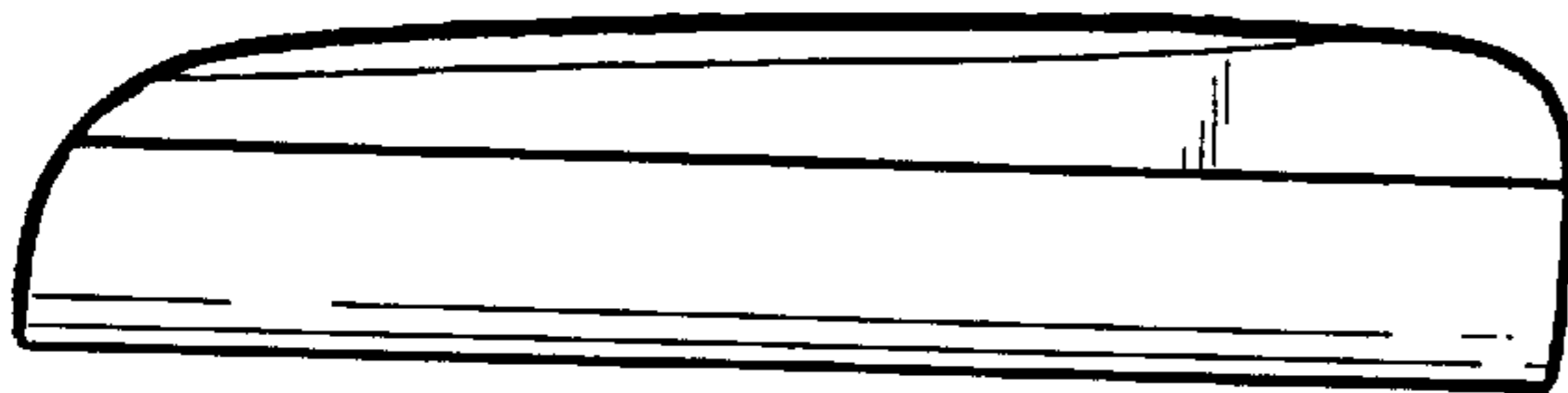


FIG. 4

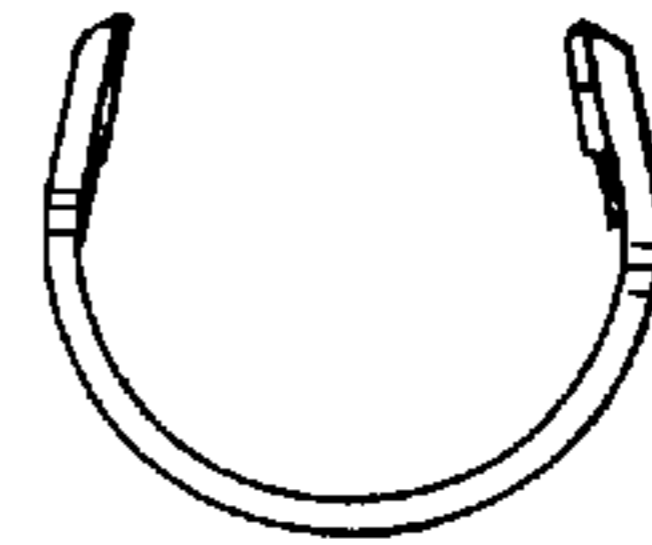


FIG. 6

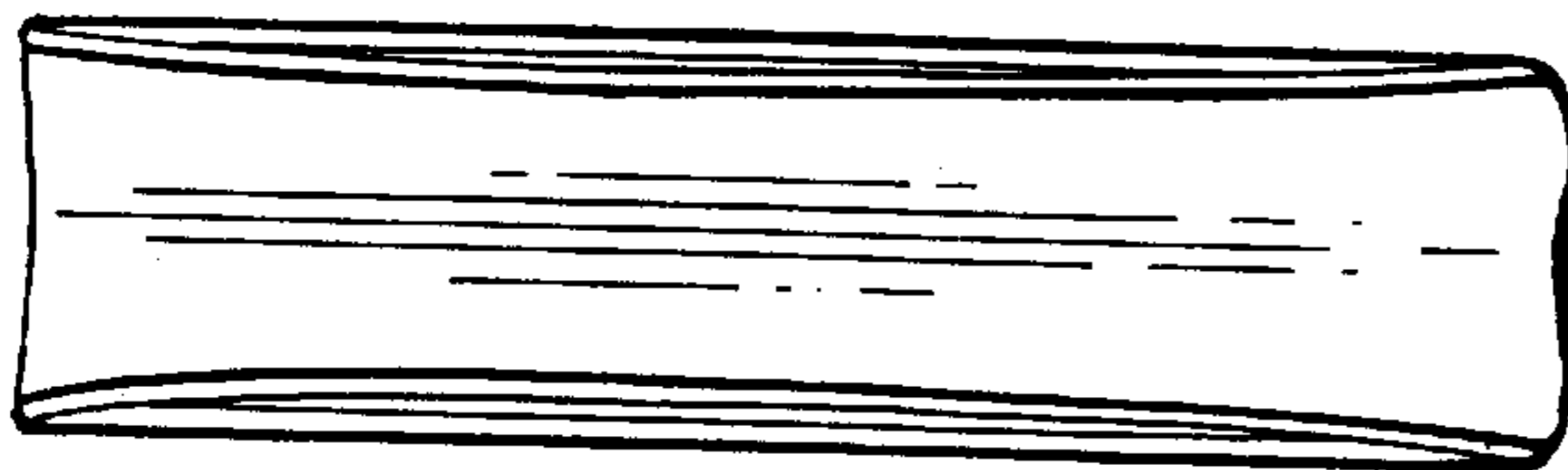


FIG. 7

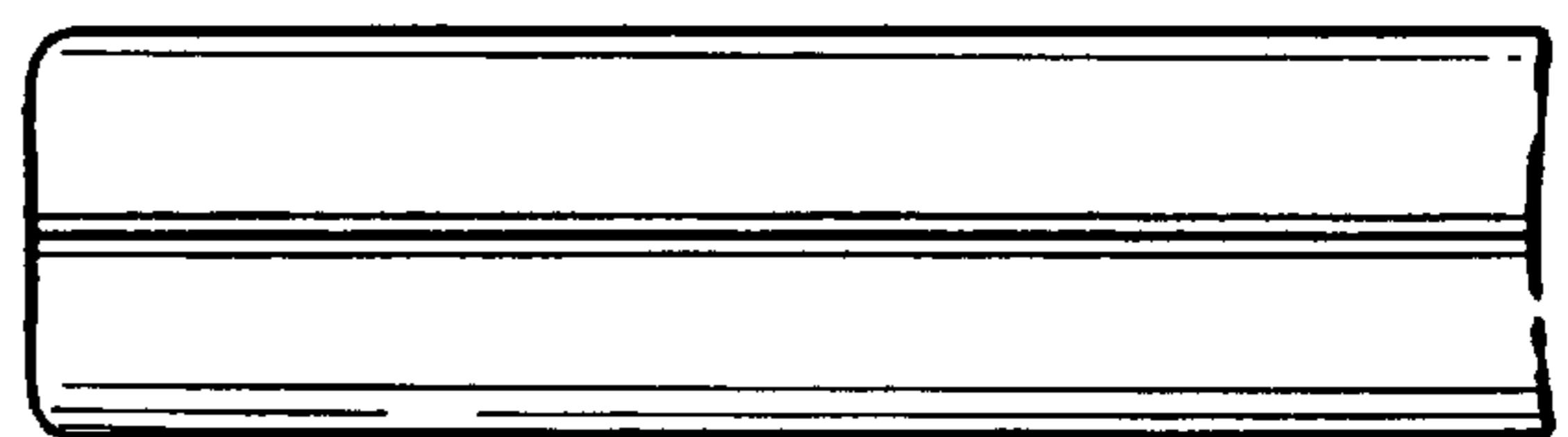


FIG. 8

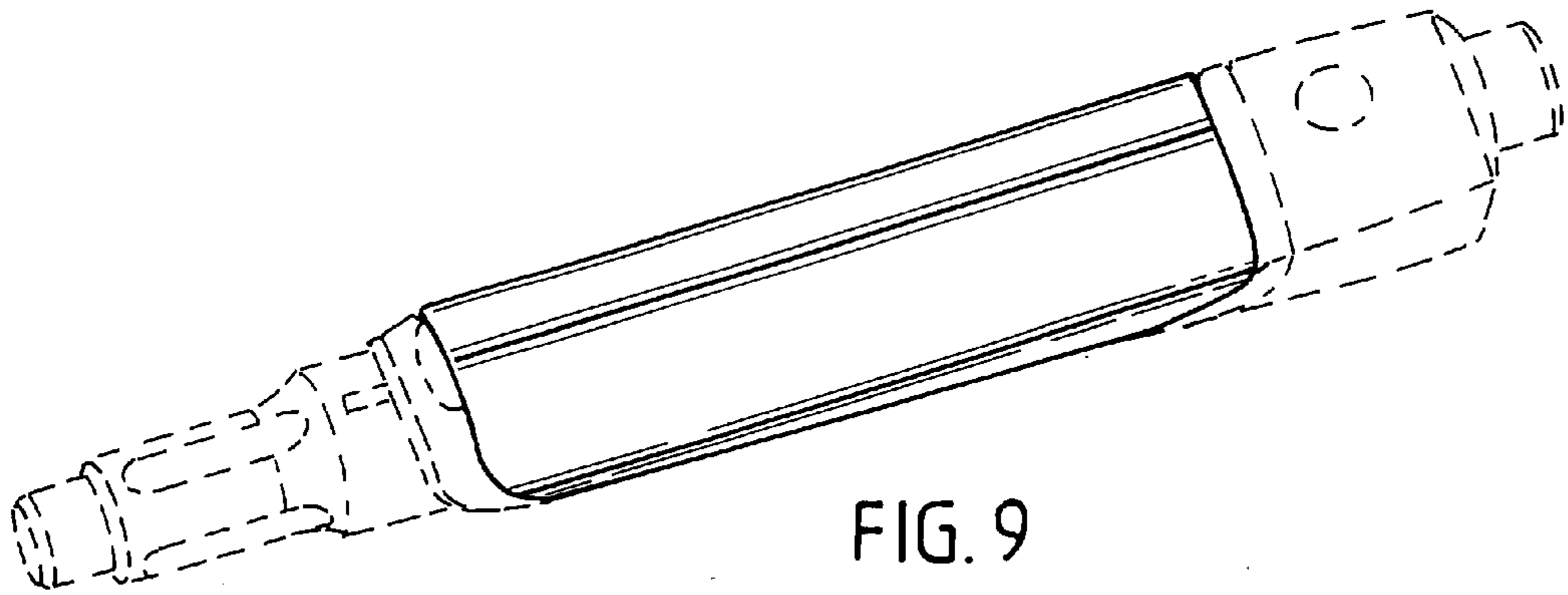


FIG. 9

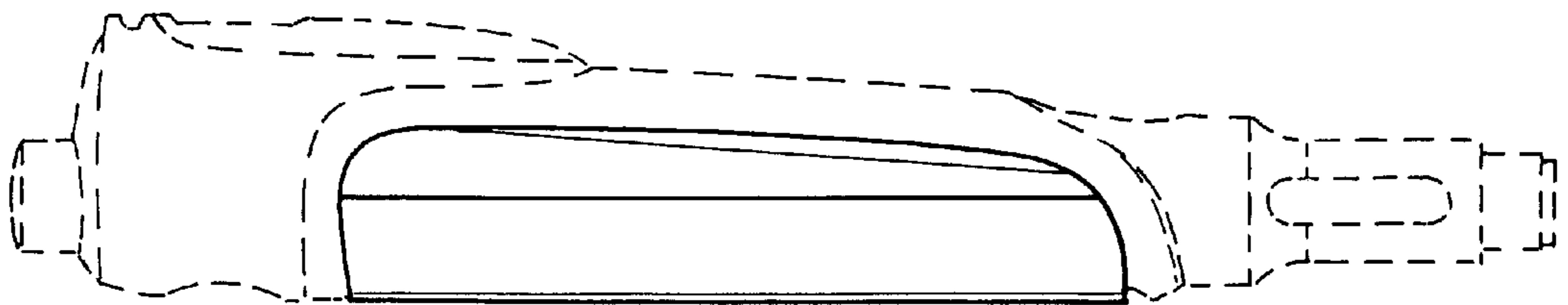


FIG. 10