



US00D486907S

(12) **United States Design Patent**
Guney et al.

(10) **Patent No.:** **US D486,907 S**

(45) **Date of Patent:** **** Feb. 17, 2004**

(54) **FRAME FOR MASK ASSEMBLY**

(75) Inventors: **Memduh Guney**, Killara (AU); **Perry D. Lithgow**, Glenwood (AU); **Timothy Tsun-Fai Fu**, Carlingford (AU); **Jim Saada**, Kellyville (AU)

(73) Assignee: **Resmed Limited**, North Ryde (AU)

(**) Term: **14 Years**

(21) Appl. No.: **29/170,559**

(22) Filed: **Nov. 8, 2002**

(51) **LOC (7) Cl.** **29-02**

(52) **U.S. Cl.** **D24/110.1; D24/110.4; D24/110.5**

(58) **Field of Search** **D24/110.1, 110.4, D24/110.5; 128/206.27, 207.11, 207.13, 205.25, 206.26, 207.17**

(56) **References Cited**

U.S. PATENT DOCUMENTS

- D322,318 S 12/1991 Sullivan
- D443,355 S 6/2001 Gunaratnam et al.
- 6,374,826 B1 * 4/2002 Gunaratnam et al. .. 128/207.11

- D457,622 S 5/2002 Kopacko et al.
- D459,800 S * 7/2002 Smart D24/110.4
- D464,427 S * 10/2002 Smart D24/110.1
- D468,421 S 1/2003 Smart

* cited by examiner

Primary Examiner—Ian Simmons

(74) *Attorney, Agent, or Firm*—Nixon & Vanderhye P.C.

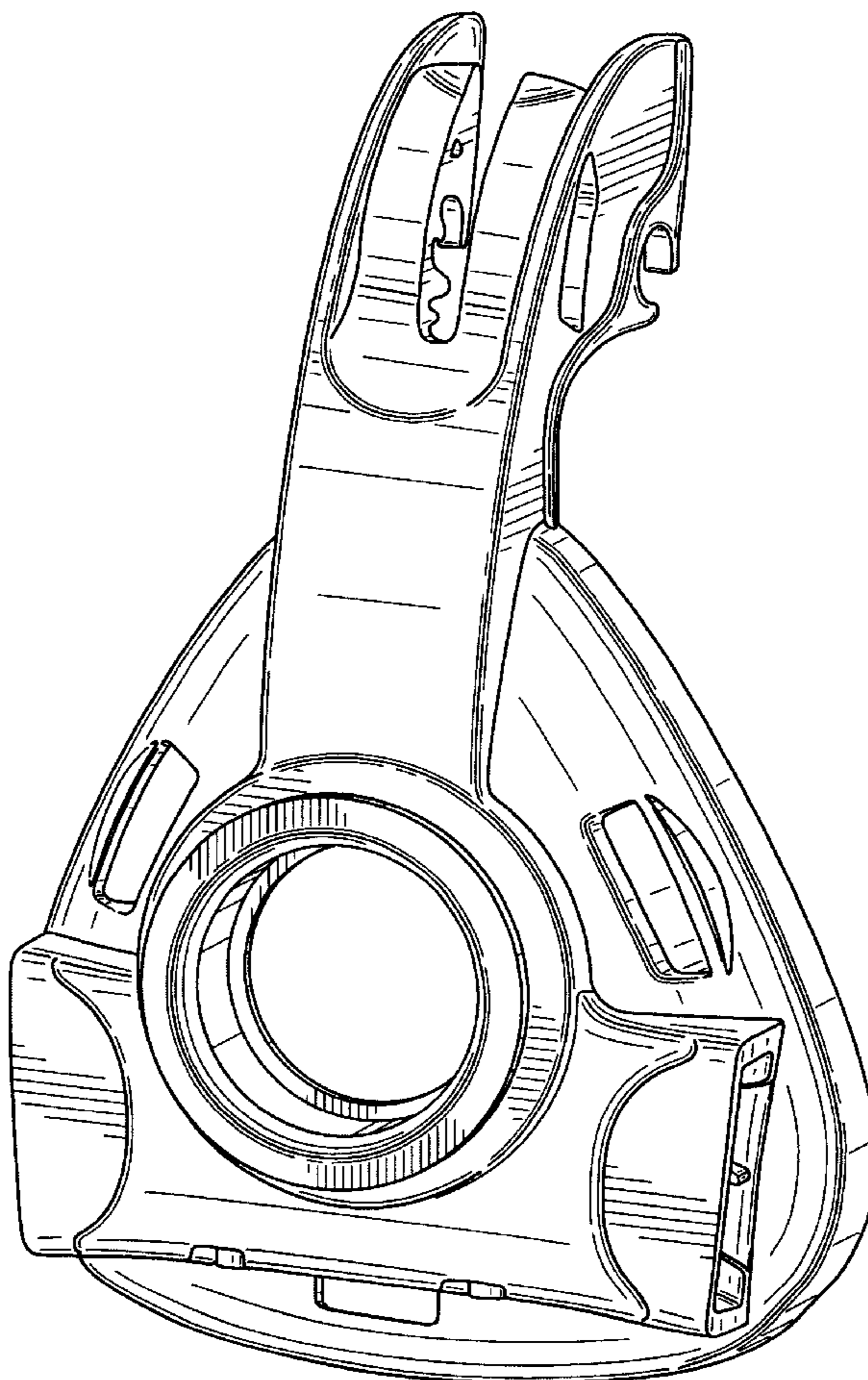
(57) **CLAIM**

The ornamental design for a frame for mask assembly, as shown and described.

DESCRIPTION

FIG. 1 is a front perspective view of a frame for a mask assembly according to a first embodiment of our design; FIG. 2 is a front view of a frame for a mask assembly according to a second embodiment of our design; FIG. 3 is a rear view thereof; FIG. 4 is a front perspective view thereof; FIG. 5 is a rear perspective view thereof; FIG. 6 is a bottom view thereof; FIG. 7 is a top view thereof; FIG. 8 is a right side view thereof; and, FIG. 9 is a left side view thereof.

1 Claim, 8 Drawing Sheets



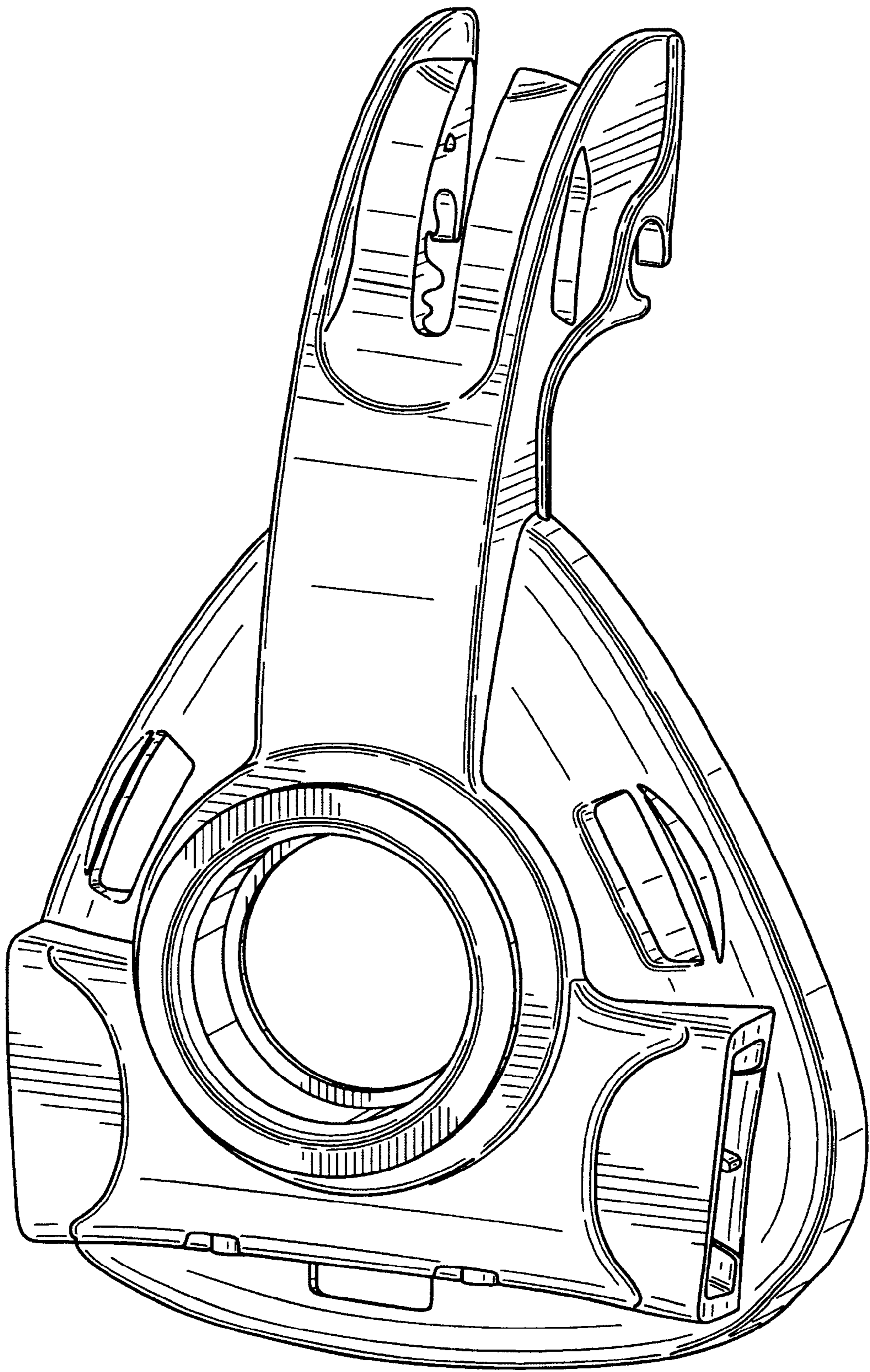


FIG. 1

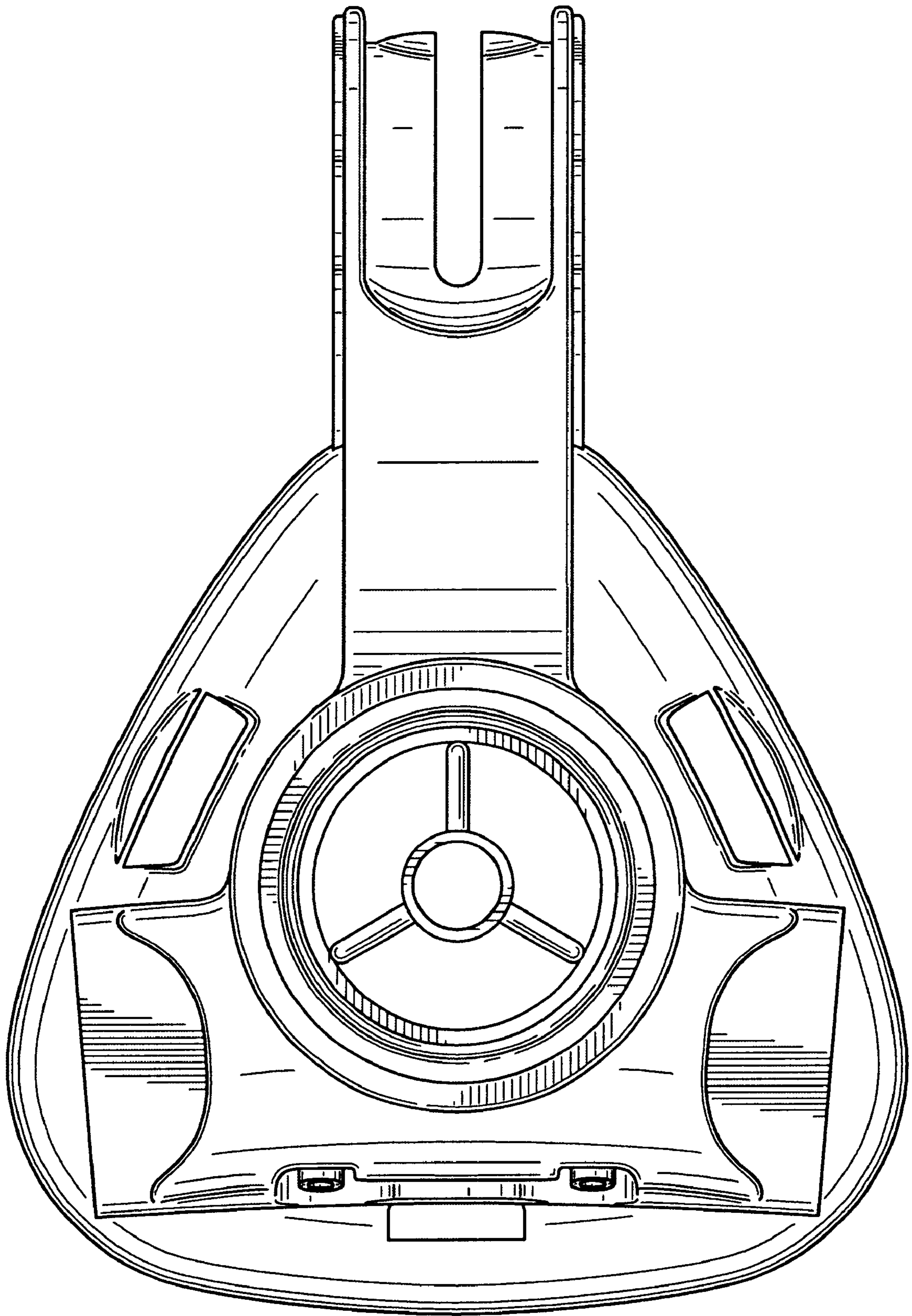


FIG. 2

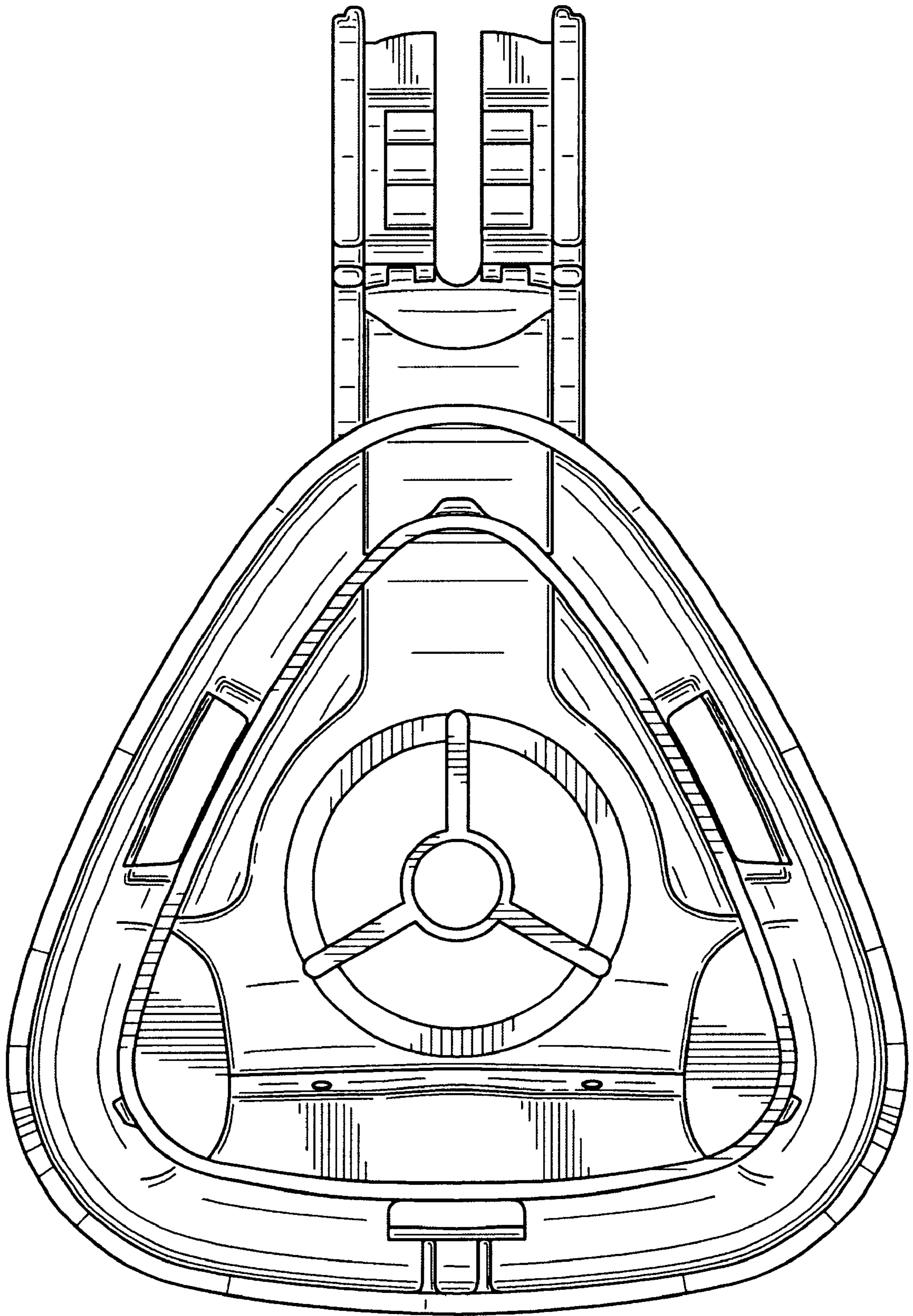


FIG. 3

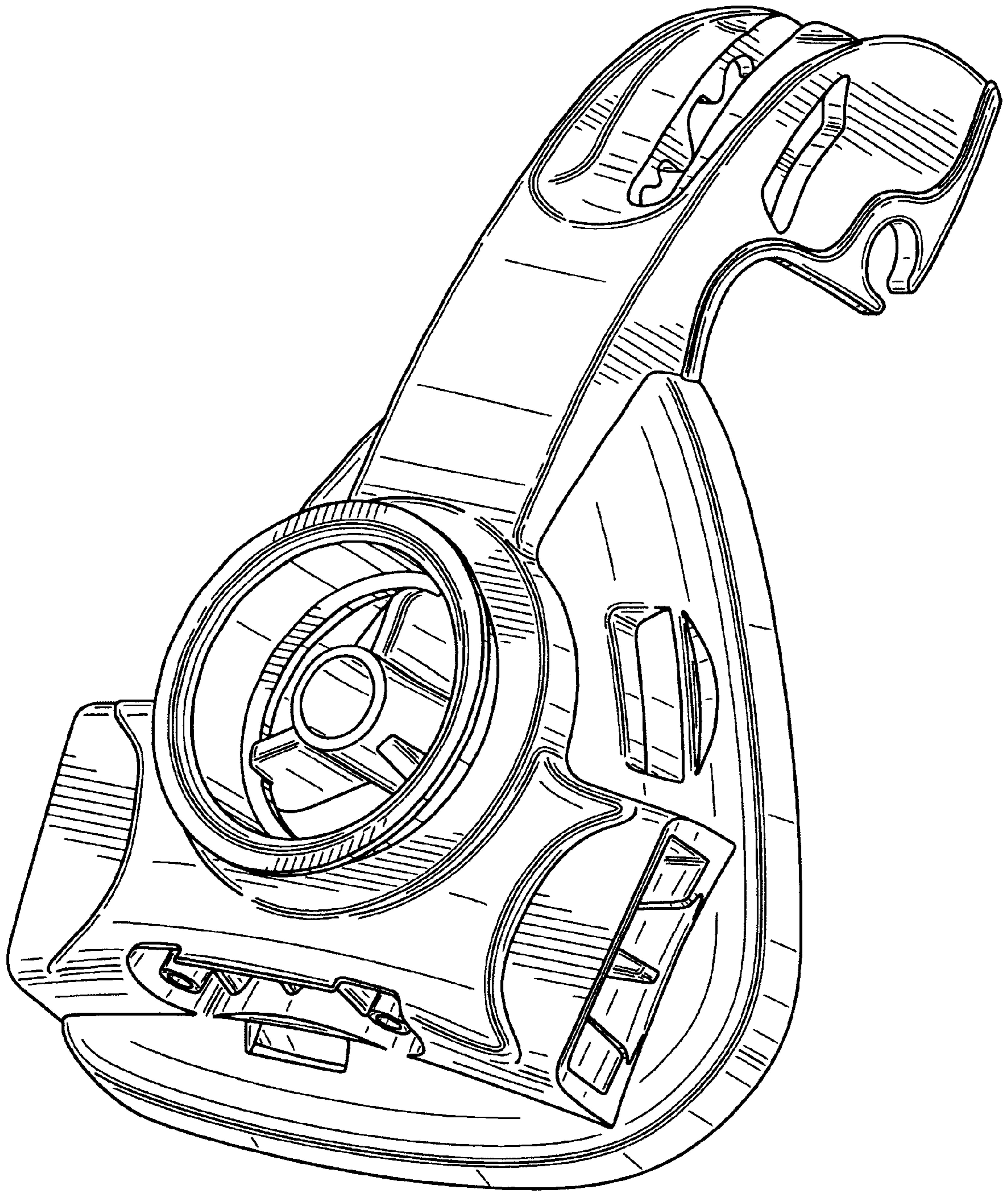


FIG. 4

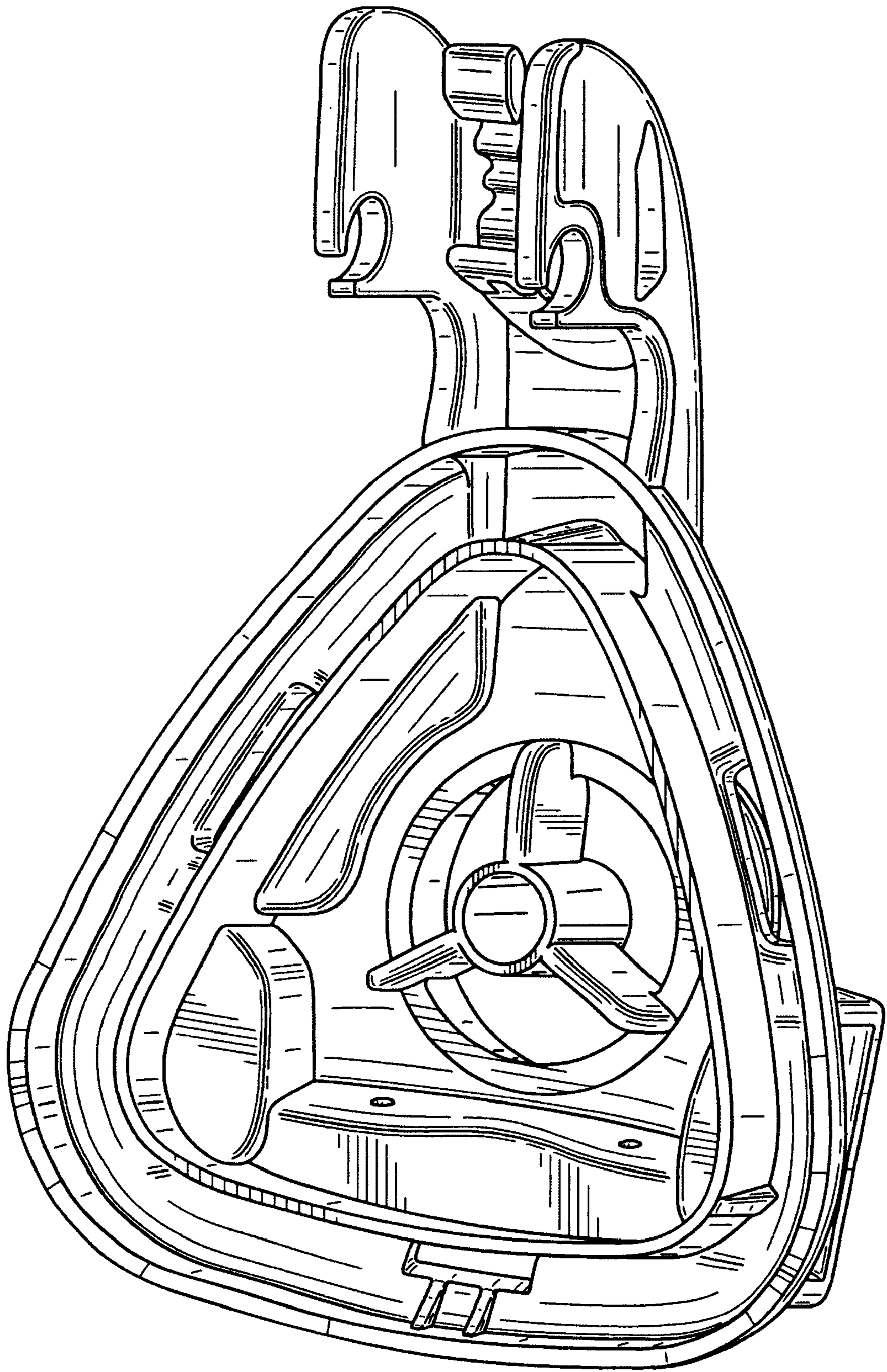


FIG. 5

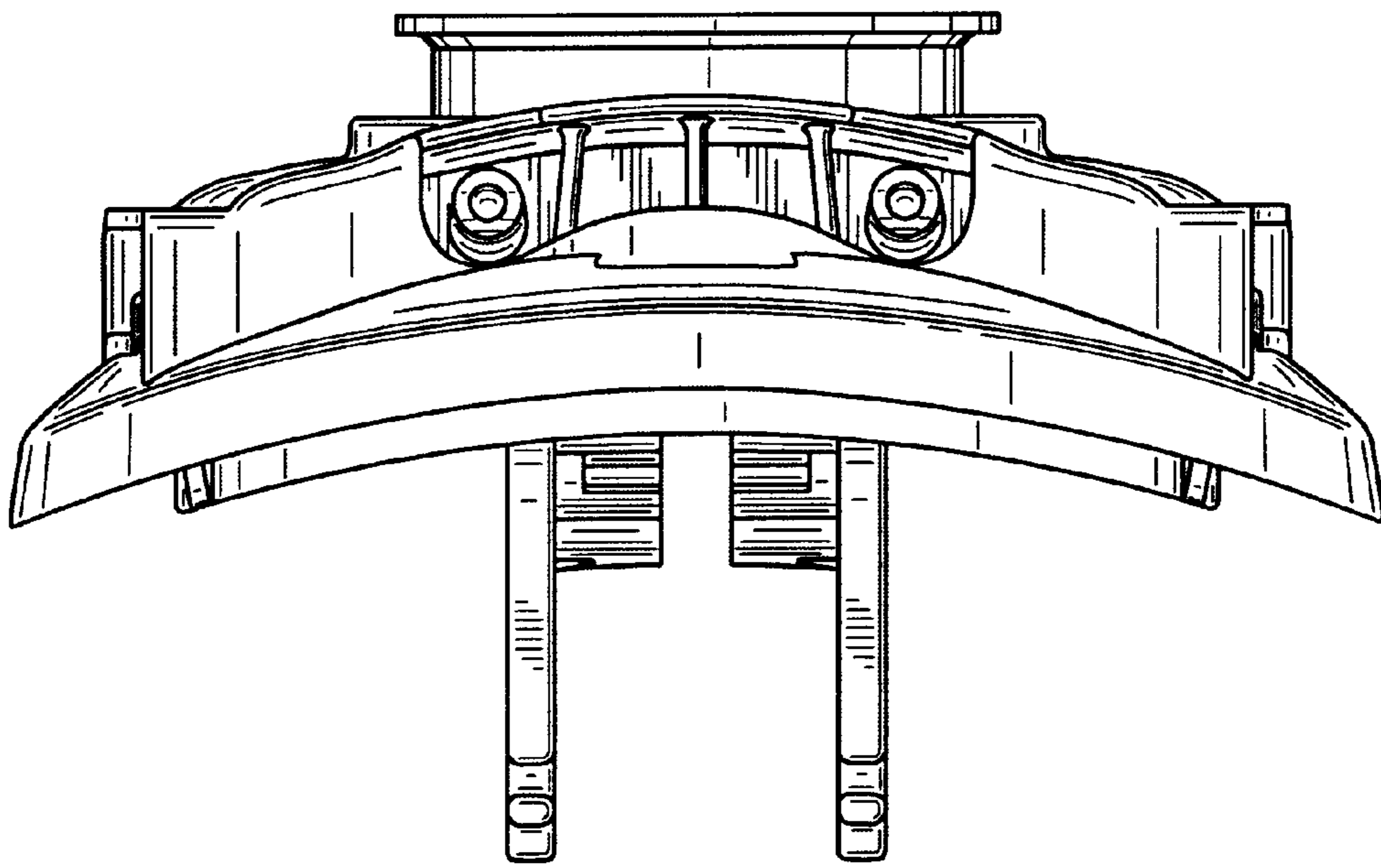


FIG. 6

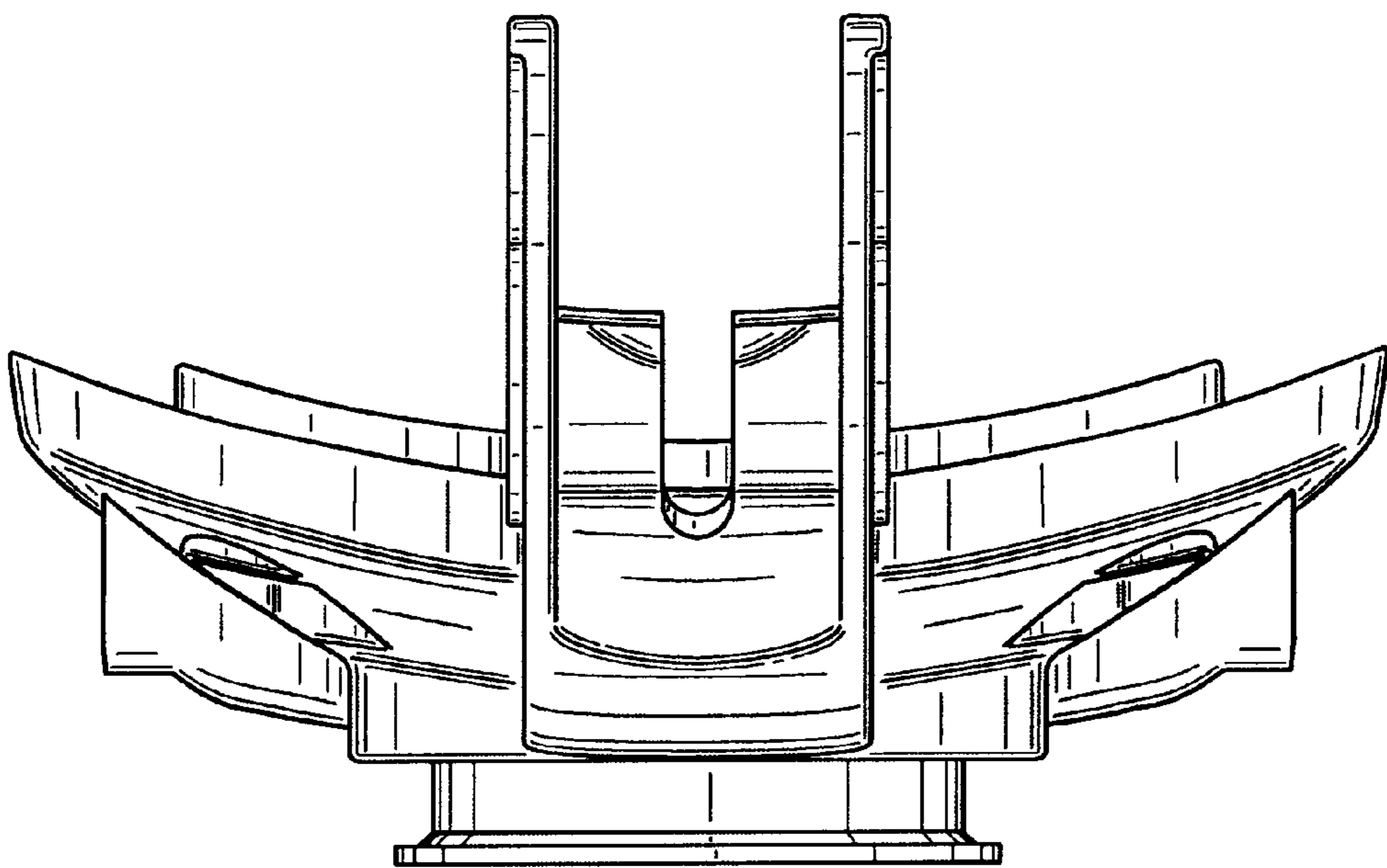


FIG. 7

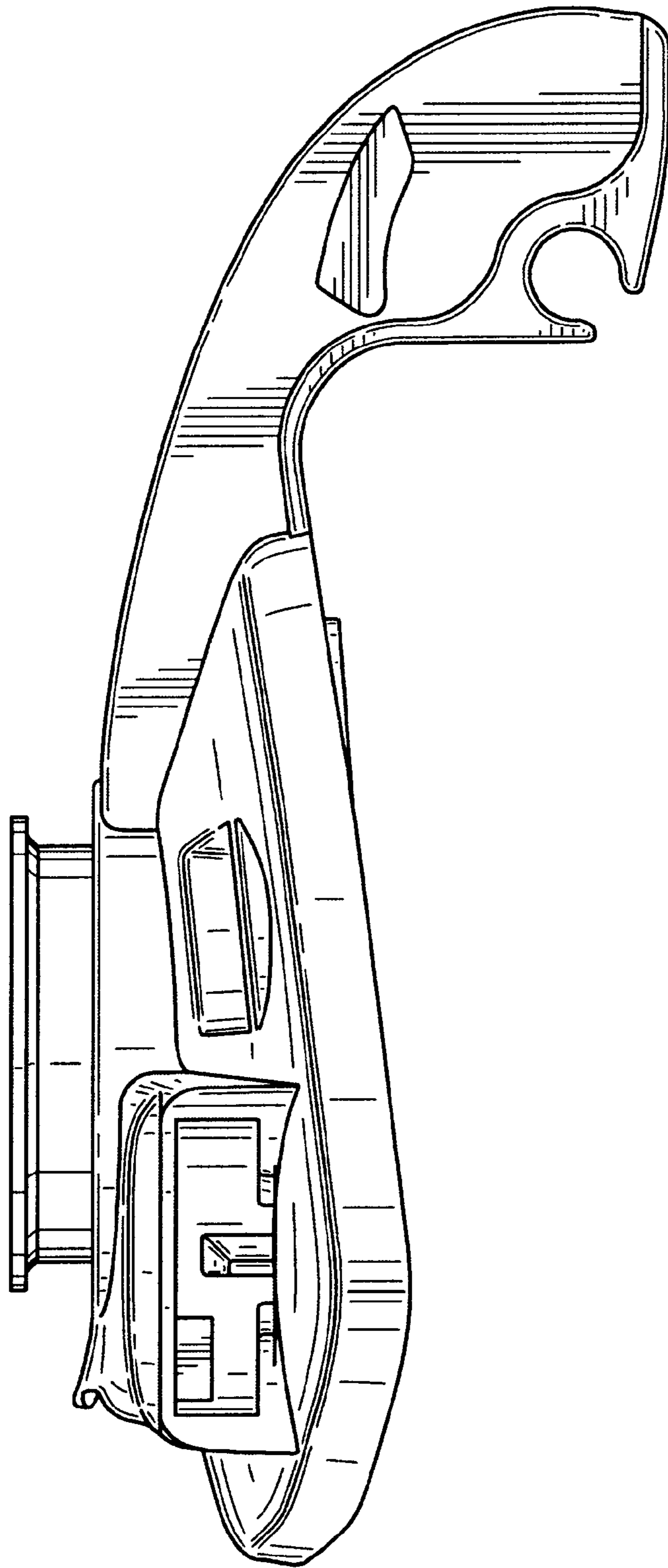


FIG. 8

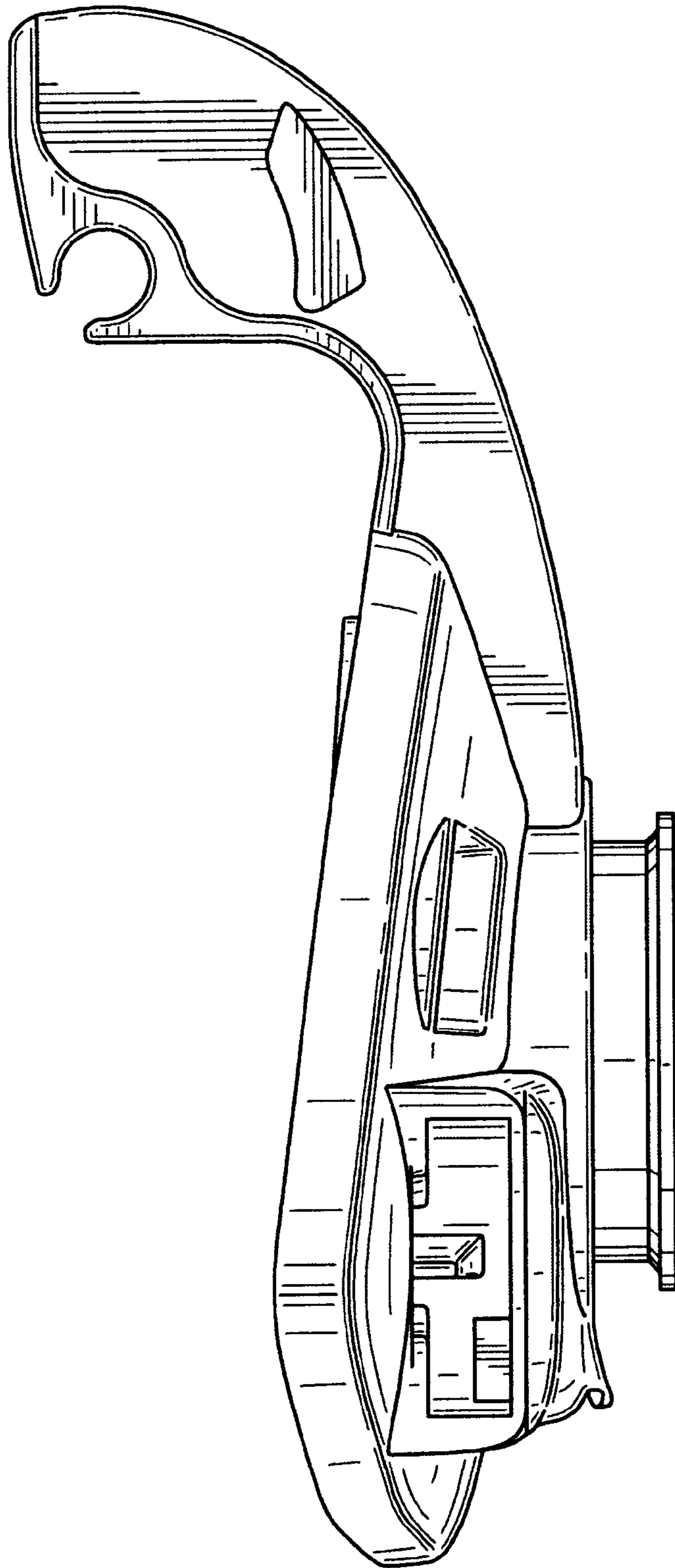


FIG. 9