



US00D486906S

(12) **United States Design Patent**
Xiao et al.

(10) **Patent No.:** **US D486,906 S**

(45) **Date of Patent:** **** Feb. 17, 2004**

(54) **FAN HOUSING**

6,186,889 B1 * 2/2001 Byrne 361/695
D461,238 S * 8/2002 Horng D23/411

(75) Inventors: **Li-Hui Xiao**, Taipei (TW); **Te-Fu Chen**, Yunlin (TW); **Yu-Liang Lin**, Pintung (TW); **Tsung-Yu Lei**, Taipei (TW); **Kuo-Cheng Lin**, Taoyuan (TW)

* cited by examiner

Primary Examiner—Lisa Lichtenstein
(74) *Attorney, Agent, or Firm*—Birch, Stewart, Kolasch & Birch, LLP

(73) Assignee: **Delta Electronics Inc.**, Taoyuan Hsien (TW)

(**) Term: **14 Years**

(57) **CLAIM**

The ornamental design for a fan housing, as shown and described herein.

(21) Appl. No.: **29/178,618**

(22) Filed: **Mar. 31, 2003**

DESCRIPTION

(30) **Foreign Application Priority Data**

Jan. 29, 2003 (TW) 92300619

FIG. 1 is a perspective view of a fan housing showing our new design;

(51) **LOC (7) Cl.** **23-04**

FIG. 2 is a right side view thereof;

(52) **U.S. Cl.** **D23/411**

FIG. 3 is a top view thereof;

(58) **Field of Search** D23/411, 370, D23/379; 165/122, 80.3; 361/695, 697

FIG. 4 is a front view thereof;

FIG. 5 is a bottom view thereof;

FIG. 6 is a left side view thereof; and,

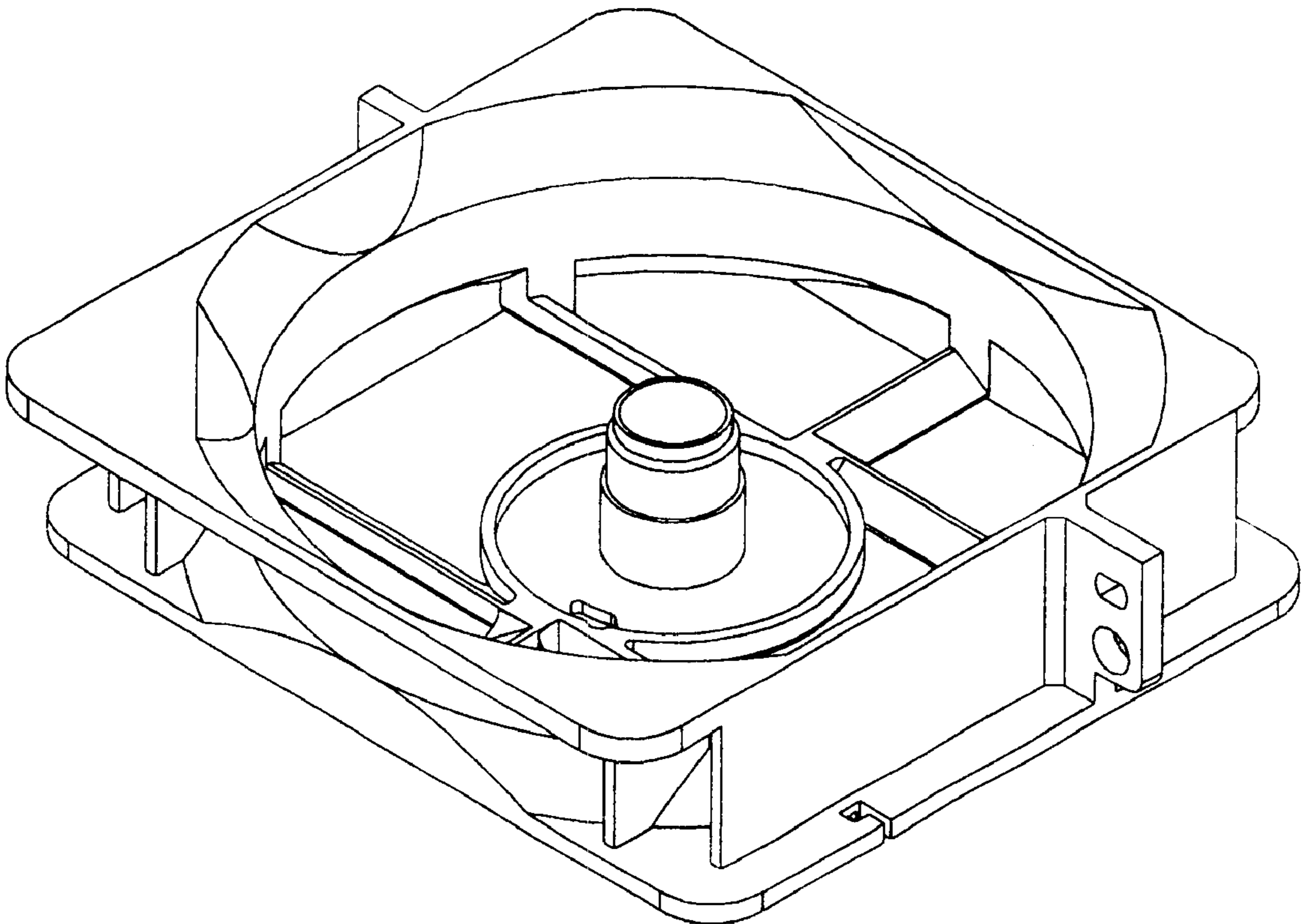
FIG. 7 is a rear view thereof.

(56) **References Cited**

U.S. PATENT DOCUMENTS

5,335,722 A * 8/1994 Wu 361/697

1 Claim, 5 Drawing Sheets



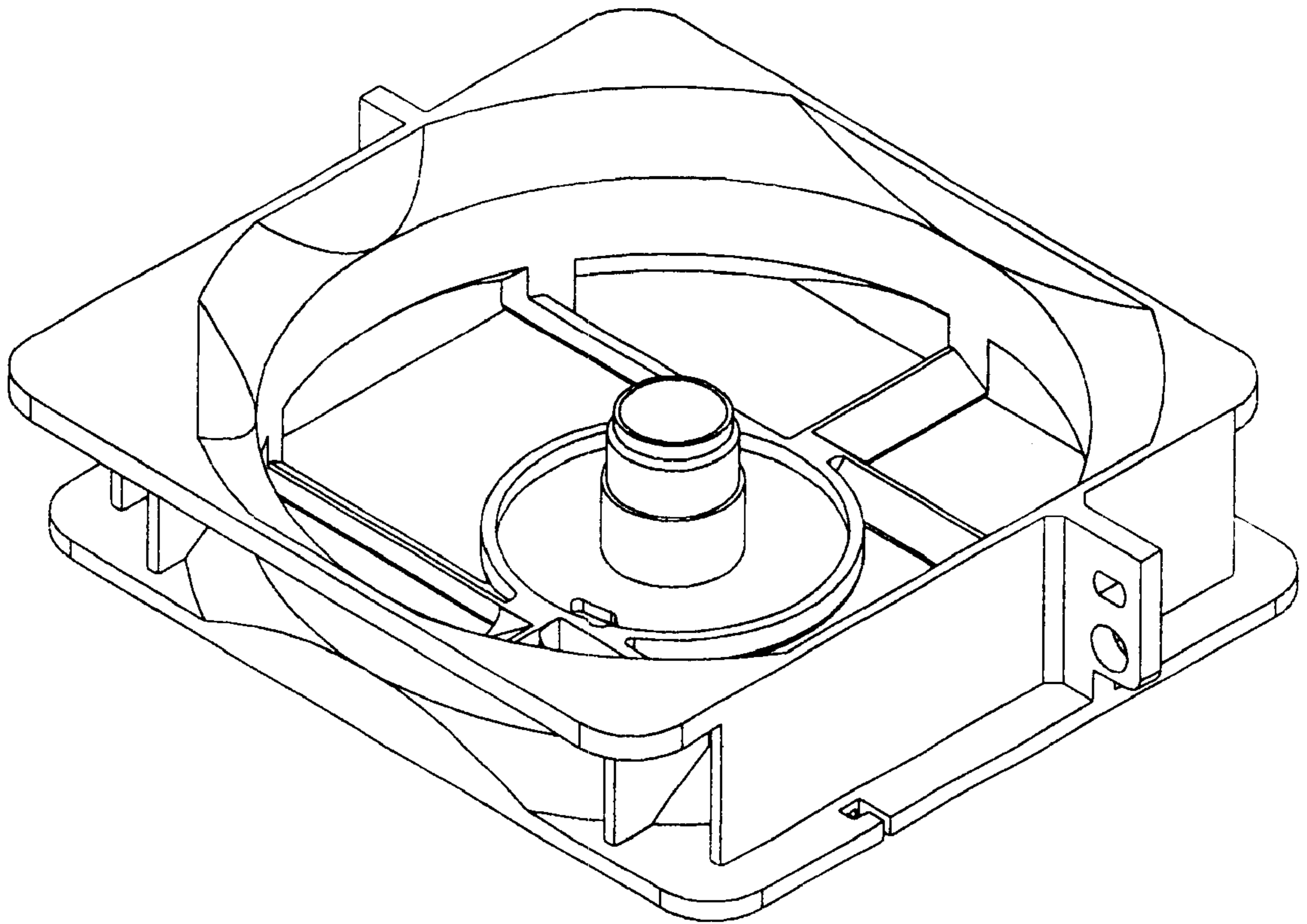


Fig. 1

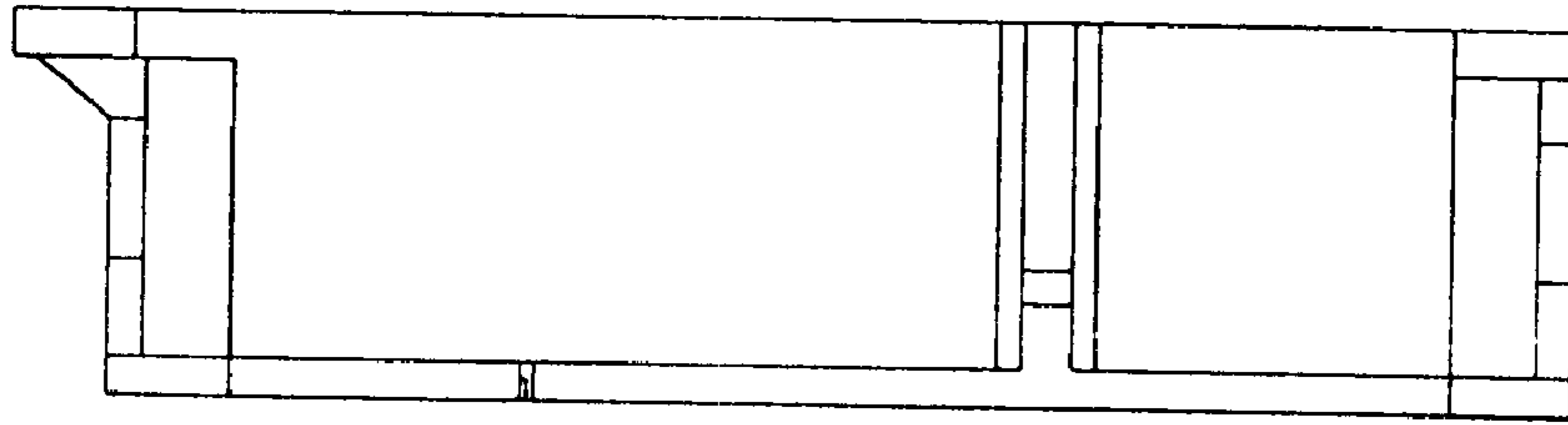


Fig. 2

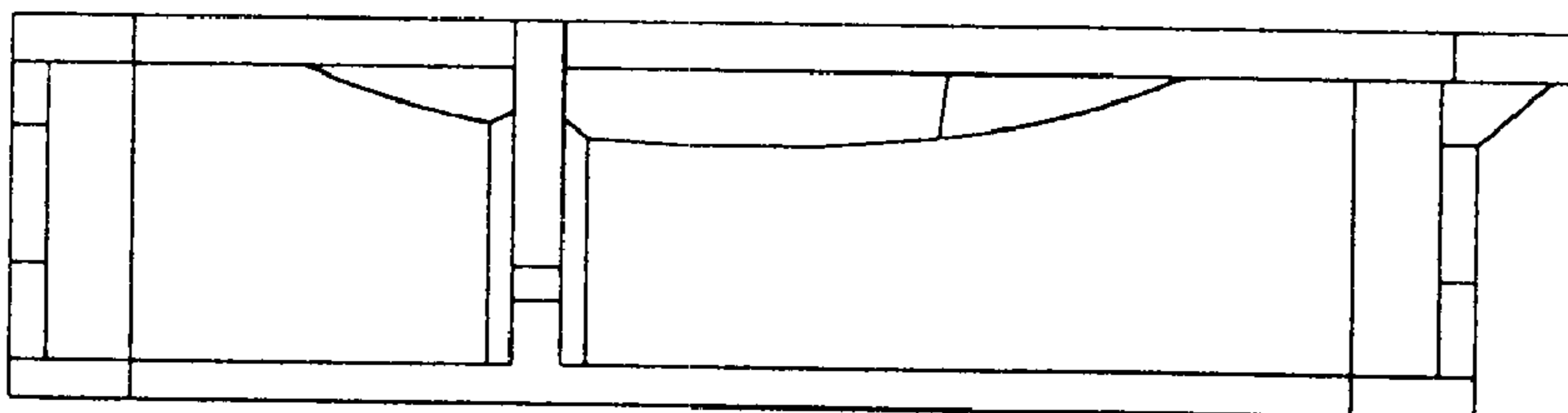


Fig. 6

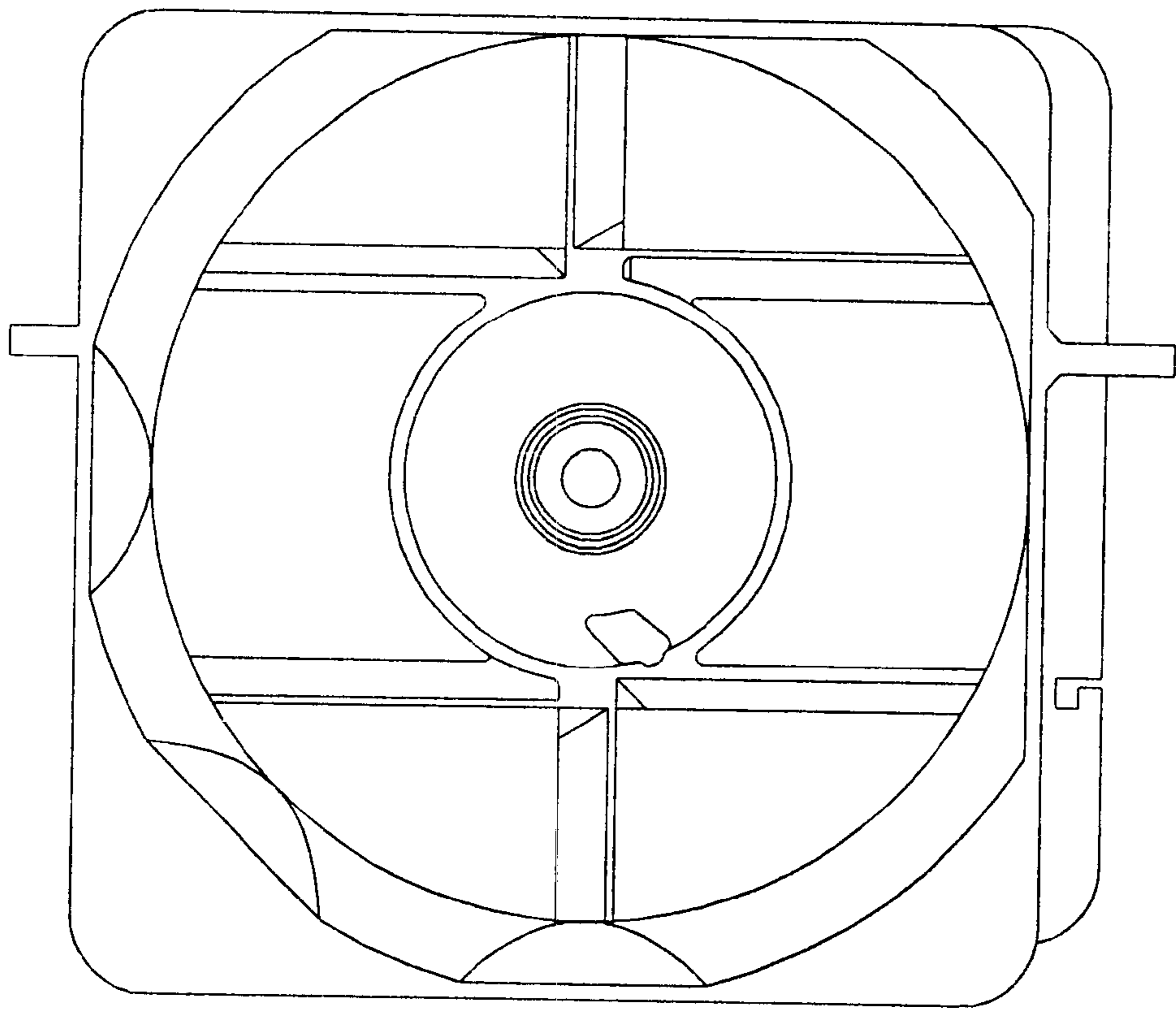


Fig. 3

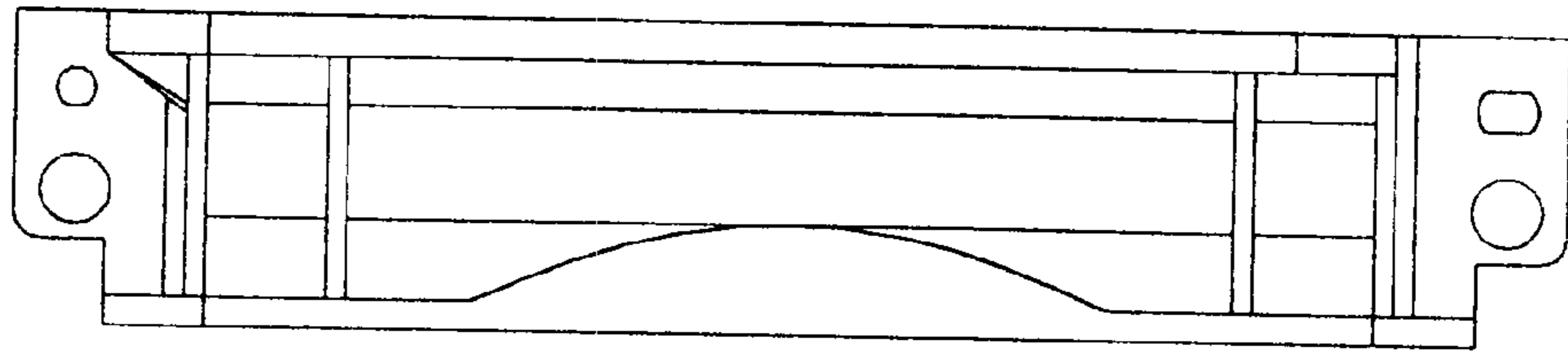


Fig. 4

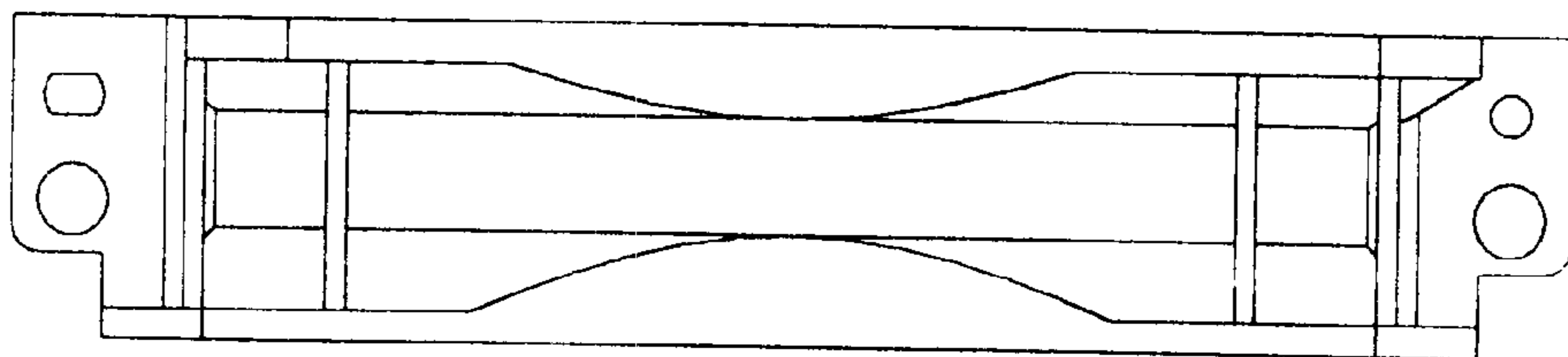


Fig. 7

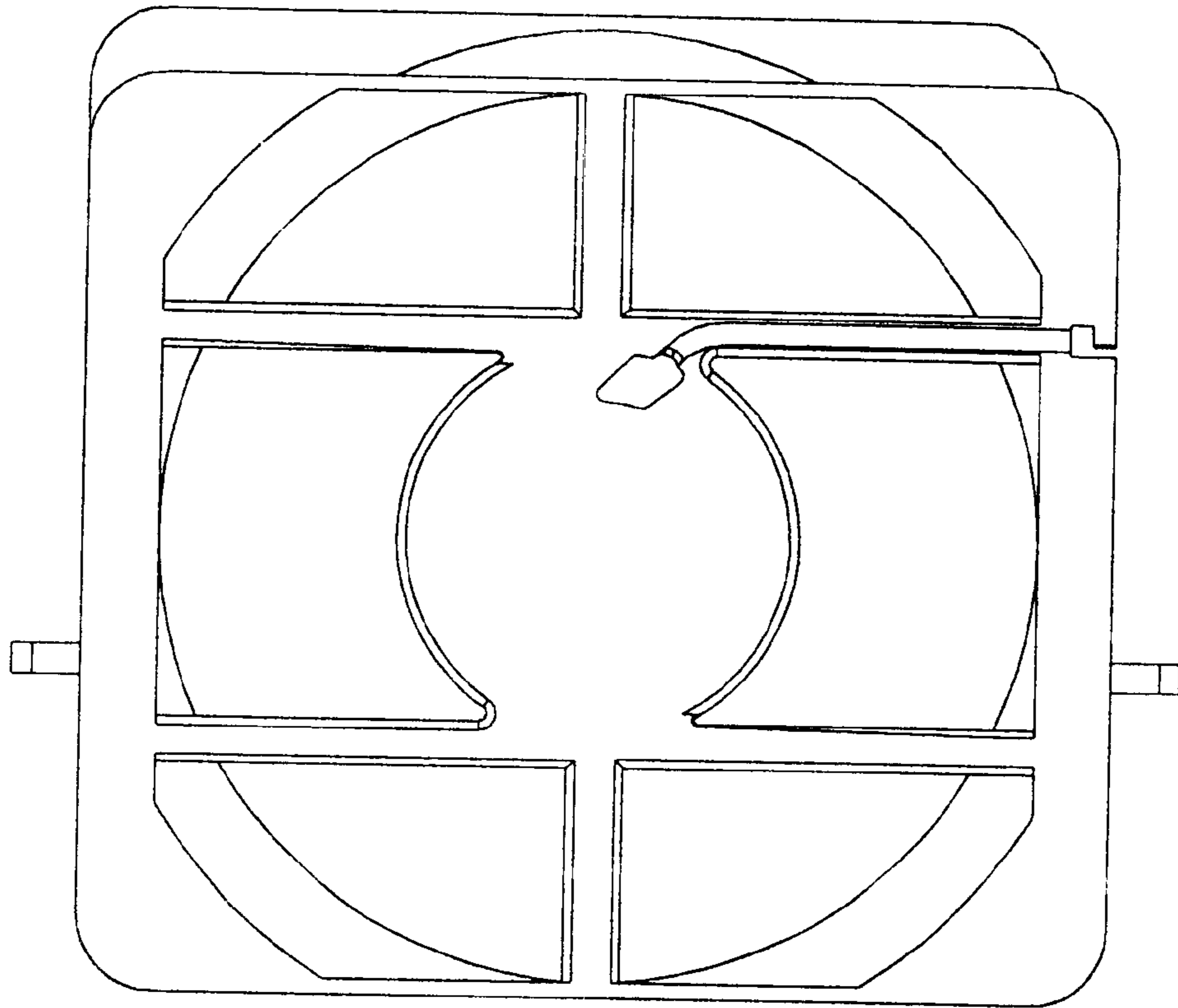


Fig. 5