



US00D486903S

(12) **United States Design Patent**
Chiang

(10) **Patent No.:** **US D486,903 S**

(45) **Date of Patent:** **** Feb. 17, 2004**

(54) **FAN**

(76) **Inventor:** **Chin-Fu Chiang**, No. 182, Sec. 1,
Chin-Hwa Rd., Tainan City (TW)

(**) **Term:** **14 Years**

(21) **Appl. No.:** **29/183,735**

(22) **Filed:** **Jun. 17, 2003**

(51) **LOC (7) Cl.** **23-04**

(52) **U.S. Cl.** **D23/370**

(58) **Field of Search** D23/382, 381,
D23/332, 370, 335-337; 416/244 R, 246 R,
247 R

(56) **References Cited**

U.S. PATENT DOCUMENTS

D372,523 S * 8/1996 Radtke, Jr. D23/328
D421,650 S * 3/2000 Liao D23/382

* cited by examiner

Primary Examiner—Lisa Lichtenstein
(74) *Attorney, Agent, or Firm*—Akin Gump Strauss Hauer
& Feld LLP

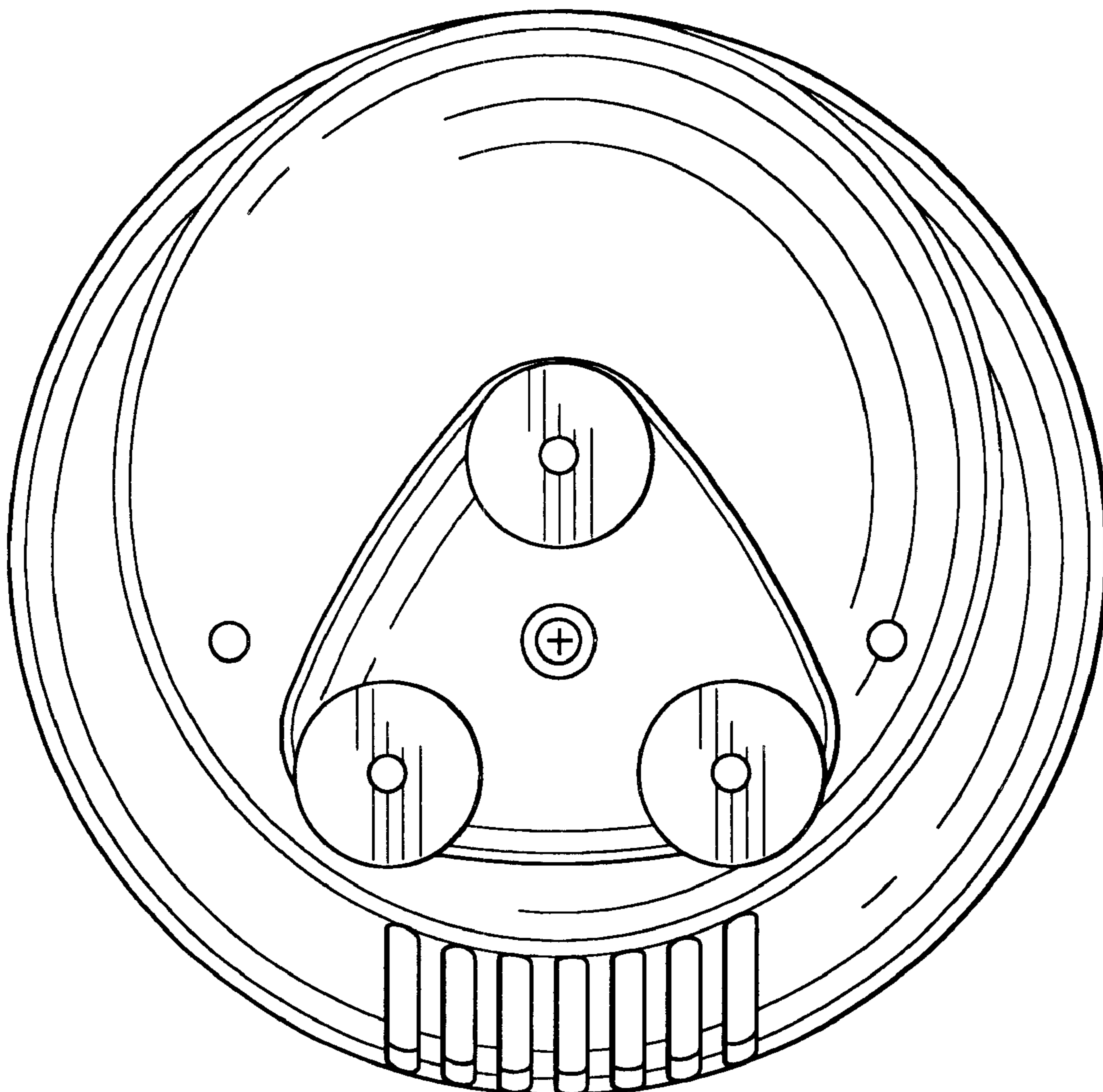
(57) **CLAIM**

The ornamental design for fan, as shown and described.

DESCRIPTION

FIG. 1 is a perspective view of fan showing my new design;
FIG. 2 is a front elevational view thereof;
FIG. 3 is a rear elevational view thereof;
FIG. 4 is a left side elevational view thereof;
FIG. 5 is a right side elevational view thereof;
FIG. 6 is a top plan view thereof; and,
FIG. 7 is a bottom plan view thereof.

1 Claim, 5 Drawing Sheets



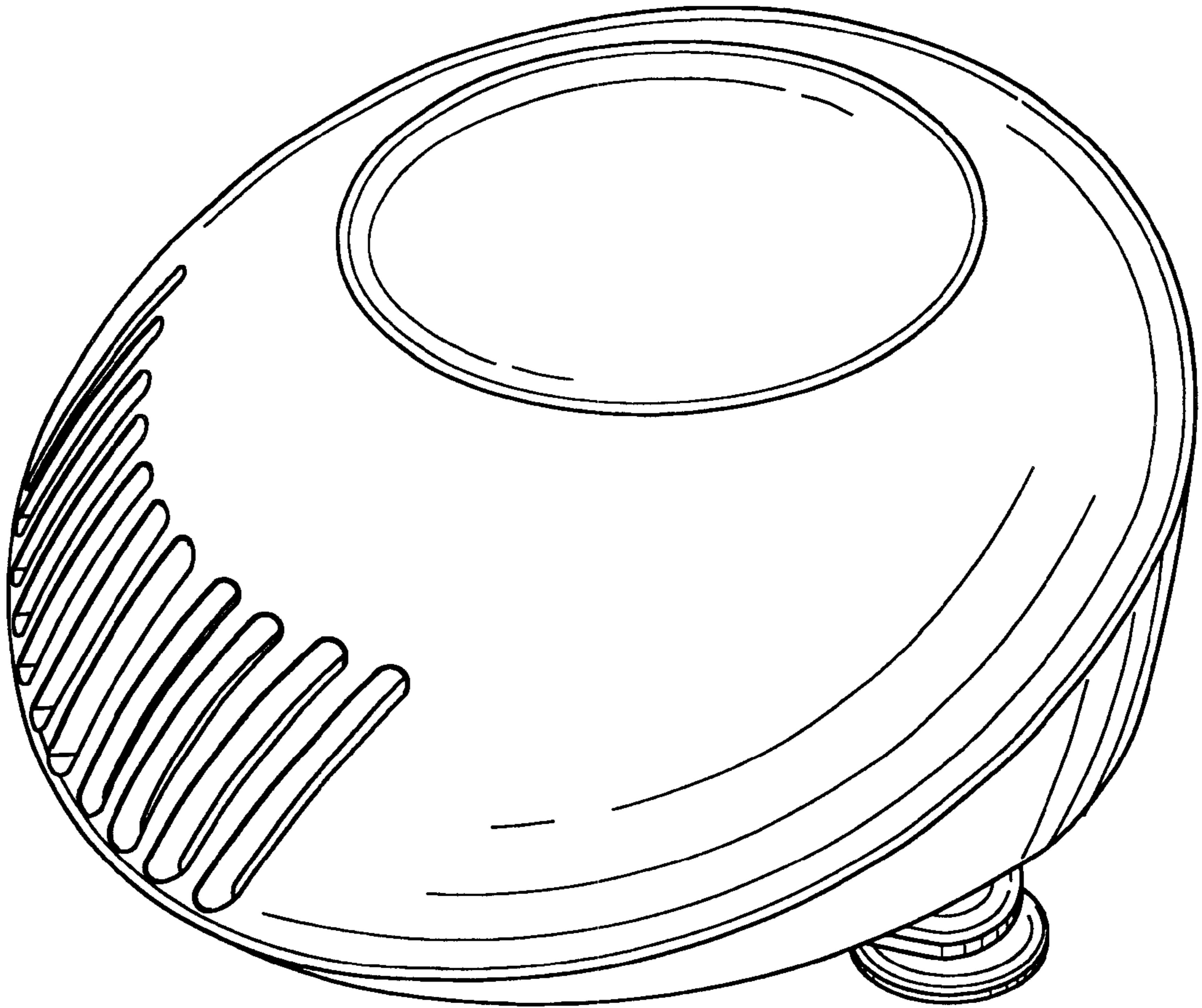


FIG. 1

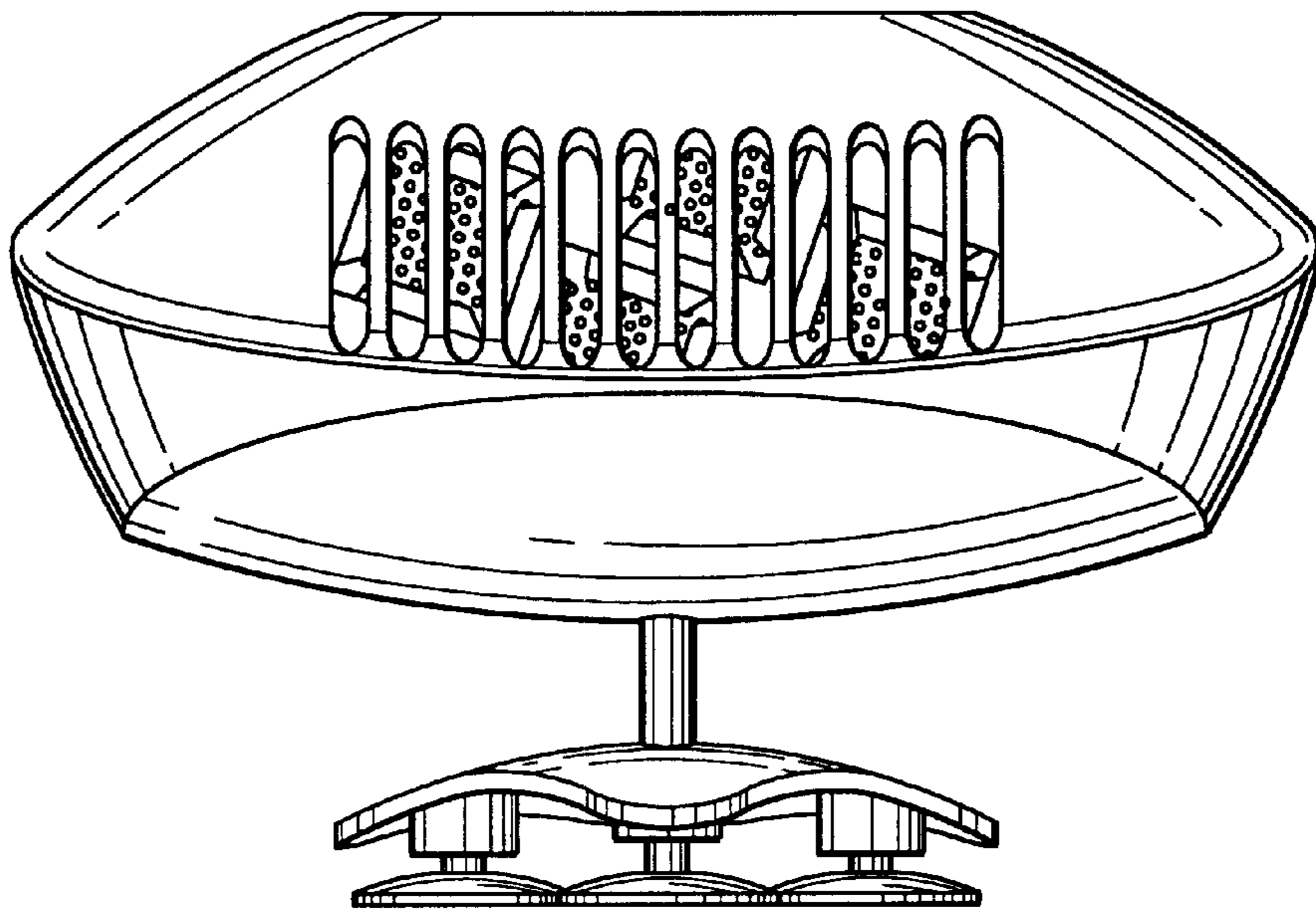


FIG. 2

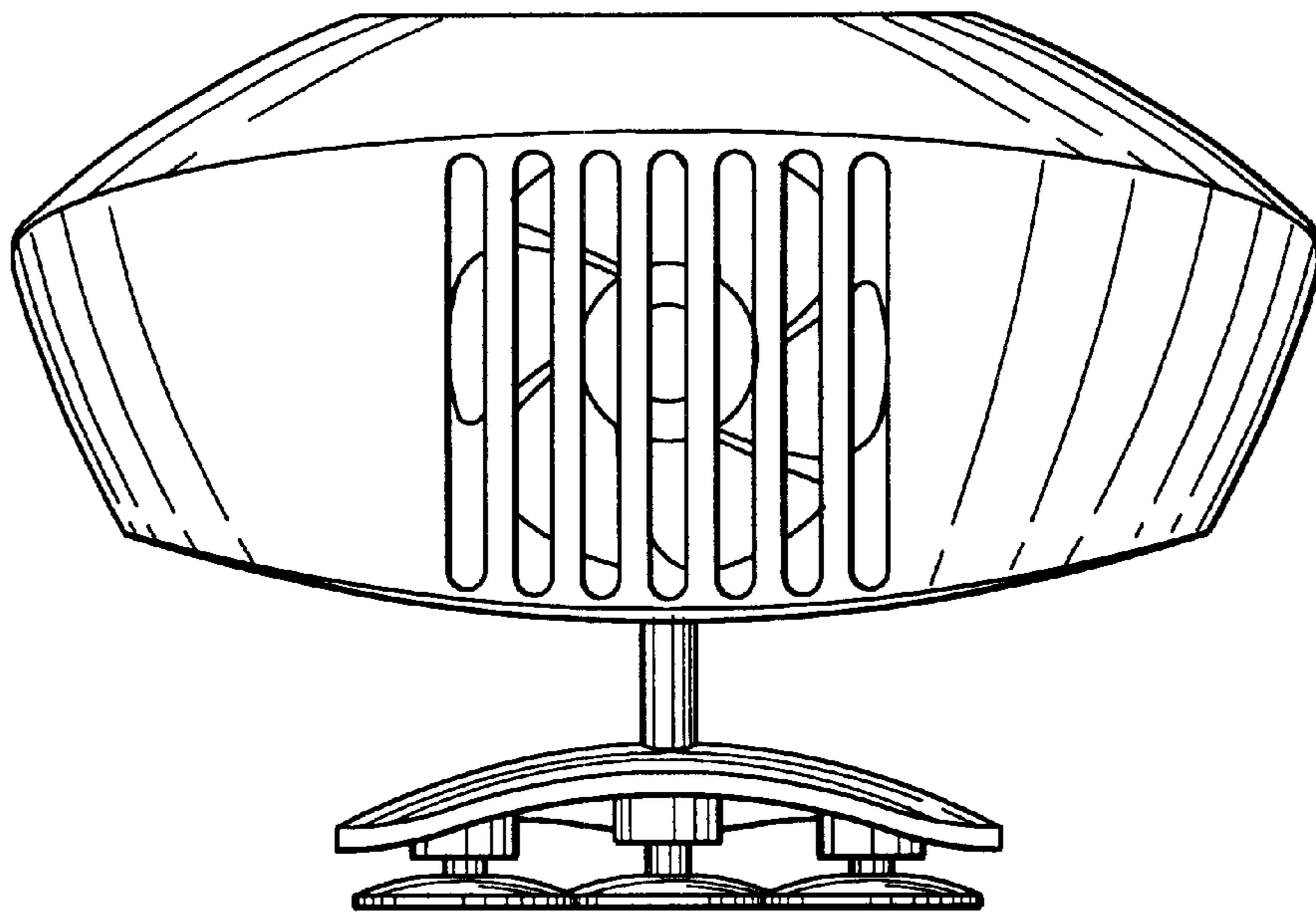


FIG. 3

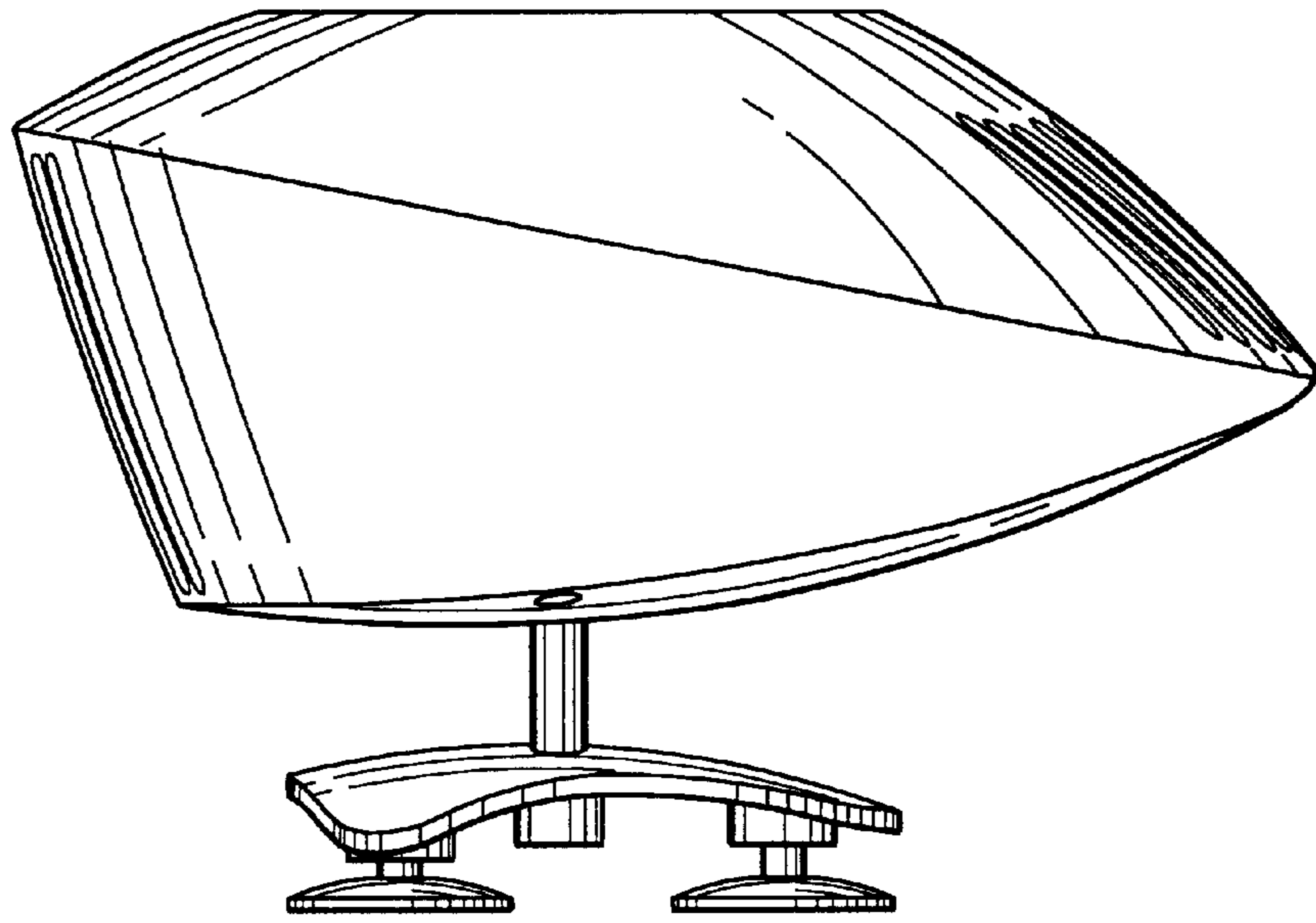


FIG. 4

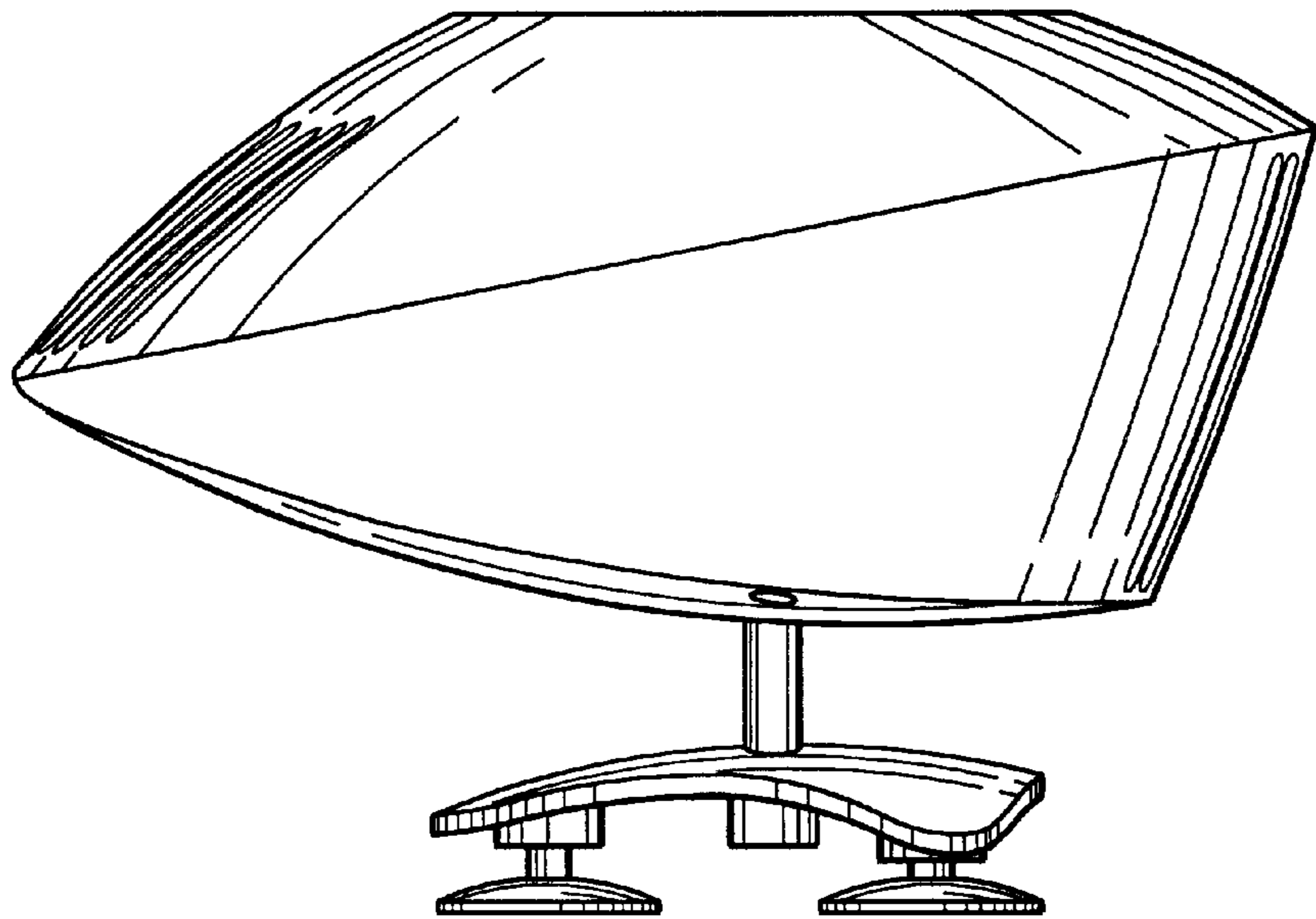


FIG. 5

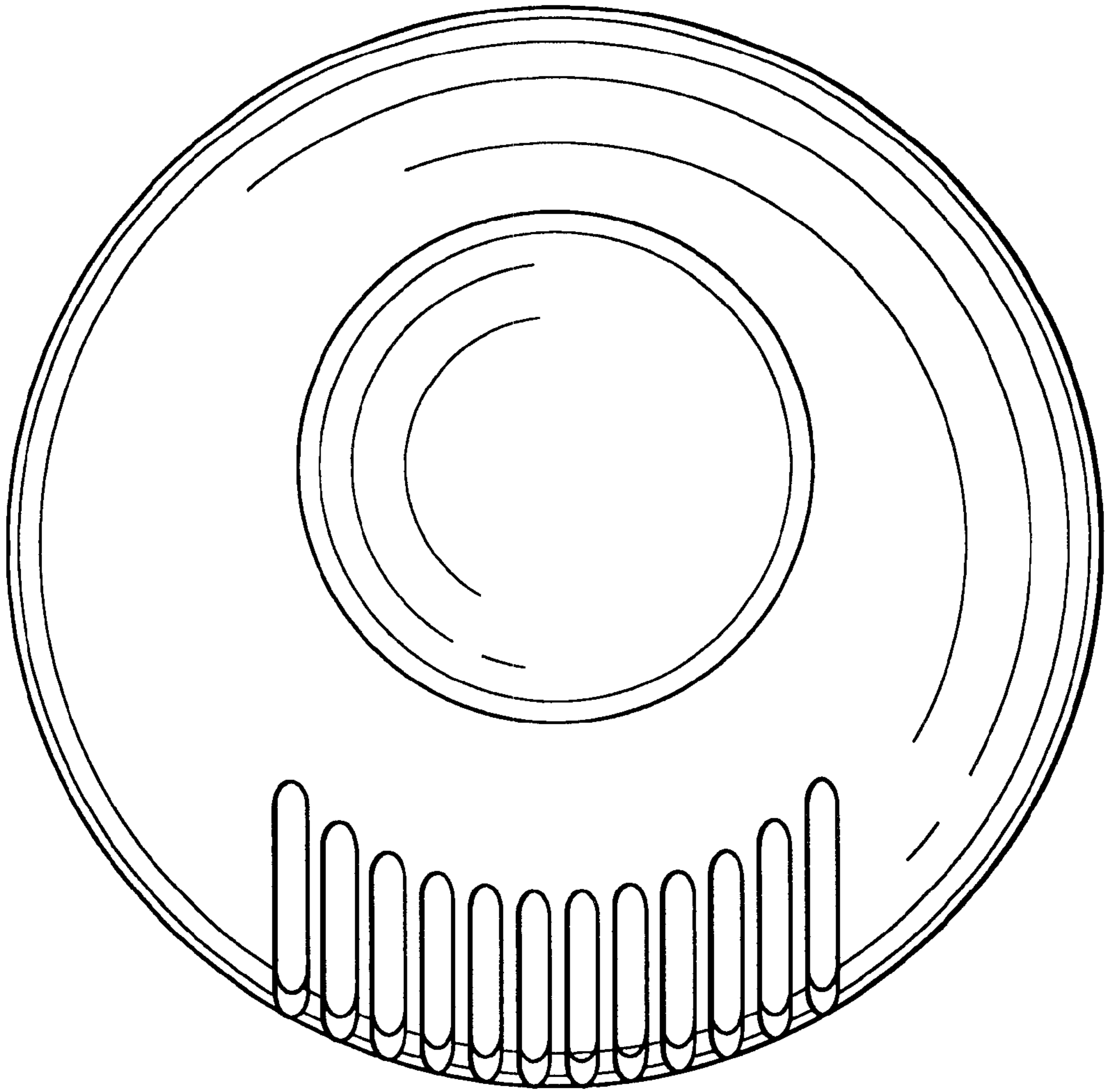


FIG. 6

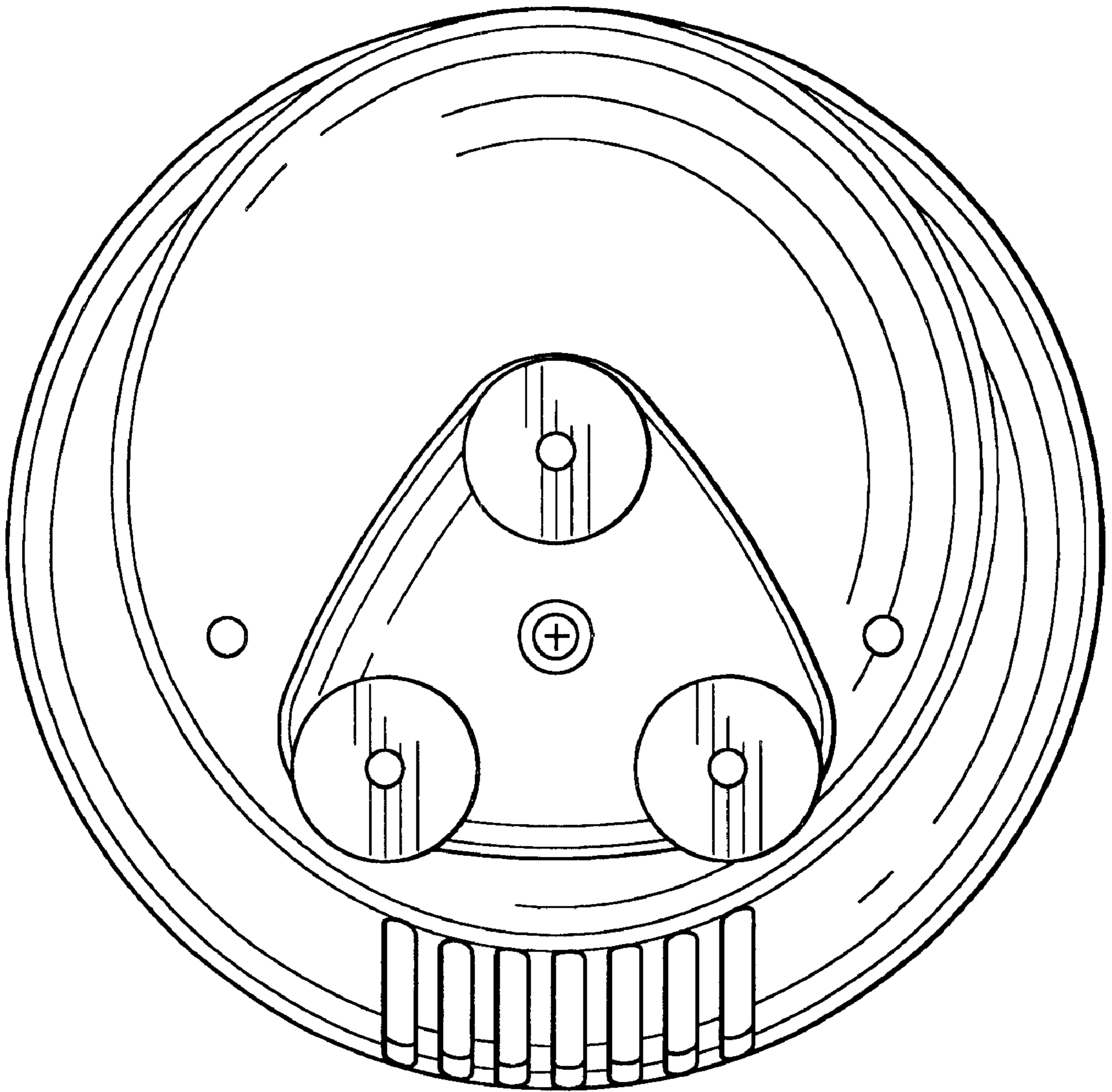


FIG. 7