



US00D486901S

(12) **United States Design Patent**
Sorribes

(10) **Patent No.:** **US D486,901 S**

(45) **Date of Patent:** **** Feb. 17, 2004**

(54) **AIR DEODORIZER**

(75) Inventor: **Silvia Sorribes**, Barcelona (ES)

(73) Assignee: **Sara Lee Household and Body Care
Nederland B.V.**, Veenendaal (NL)

(**) Term: **14 Years**

(21) Appl. No.: **29/180,048**

(22) Filed: **Apr. 18, 2003**

(30) **Foreign Application Priority Data**

Oct. 21, 2002 (WO) DM/061 666

(51) **LOC (7) Cl.** **23-04**

(52) **U.S. Cl.** **D23/366**

(58) **Field of Search** D23/366-369;
239/34, 50-60; 422/120; 261/DIG. 65

(56) **References Cited**

U.S. PATENT DOCUMENTS

D288,842 S * 3/1987 Kwiatkowski D23/366
D422,692 S * 4/2000 Quinones D23/367

* cited by examiner

Primary Examiner—Lisa Lichtenstein
(74) *Attorney, Agent, or Firm*—Kilpatrick Stockton LLP

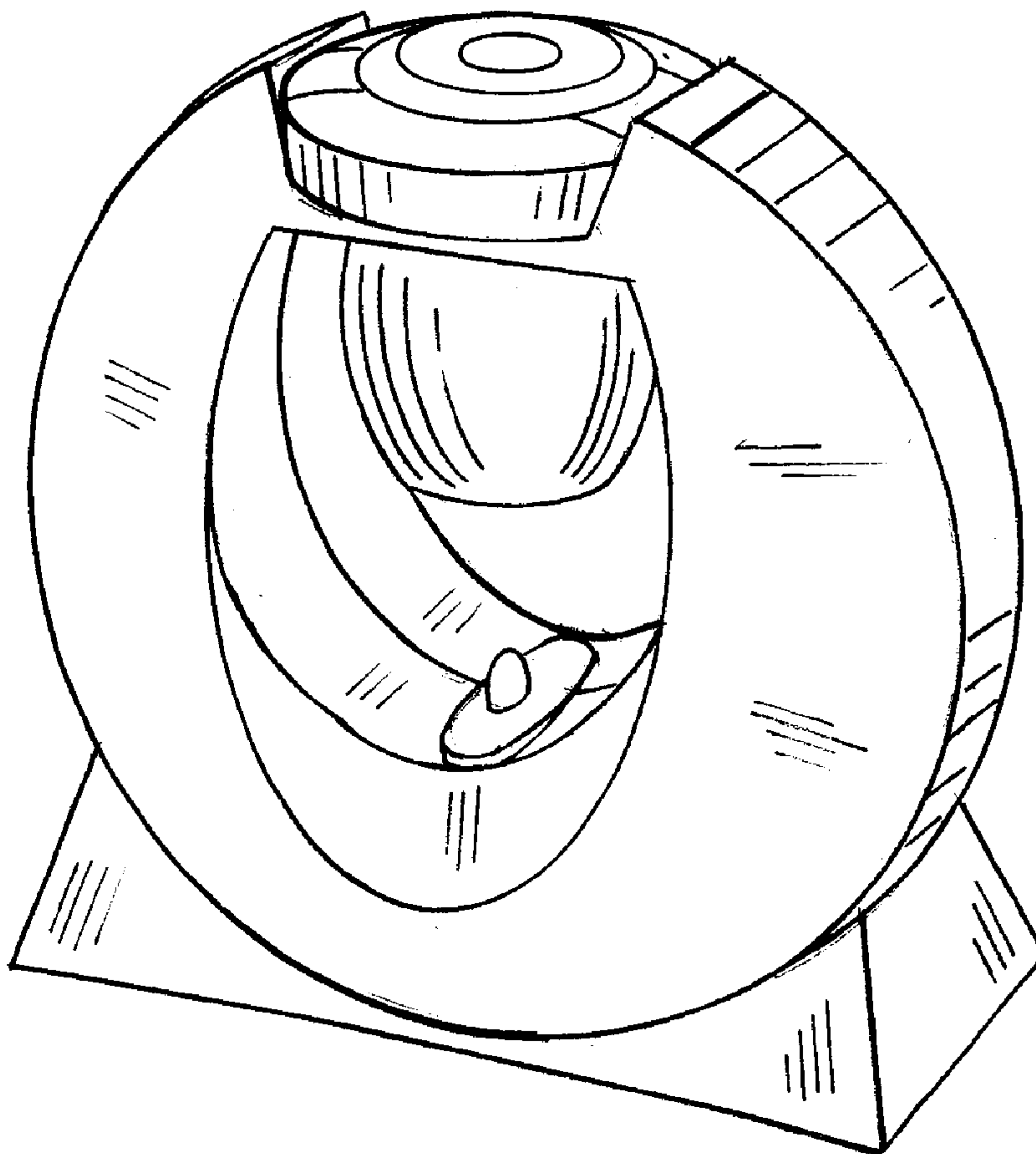
(57) **CLAIM**

I claim the ornamental design for an air deodorizer, as shown.

DESCRIPTION

FIG. 1 is a front perspective view of an air deodorizer comprising the present invention;
FIG. 2 is a rear perspective view of the air deodorizer shown in FIG. 1;
FIG. 3 is a front elevational view of the air deodorizer shown in FIG. 1 and FIG. 2;
FIG. 4 is a rear elevational view of the air deodorizer shown in FIG. 1, FIG. 2, and FIG. 3;
FIG. 5 is a side elevational view of the air deodorizer shown in FIG. 1, FIG. 2, FIG. 3, and FIG. 4;
FIG. 6 is another side elevational view of the air deodorizer shown in FIG. 1, FIG. 2, FIG. 3, FIG. 4, and FIG. 5;
FIG. 7 is a top elevational view of the air deodorizer shown in FIG. 1, FIG. 2, FIG. 3, FIG. 4, FIG. 5, and FIG. 6; and
FIG. 8 is bottom elevational view of the air deodorizer shown in FIG. 1, FIG. 2, FIG. 3, FIG. 4, FIG. 5, FIG. 6, and FIG. 7.

1 Claim, 5 Drawing Sheets



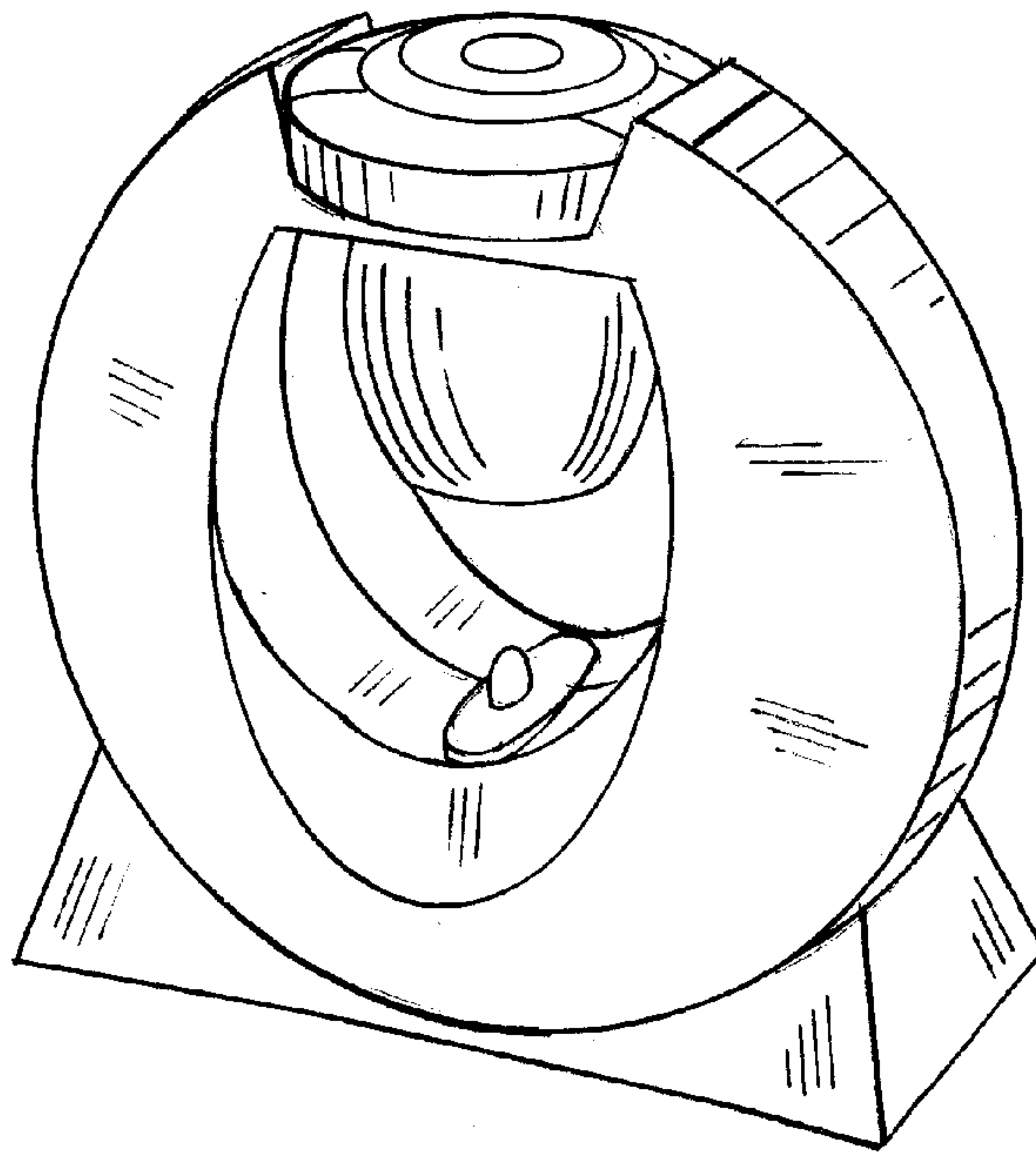


FIG. 1

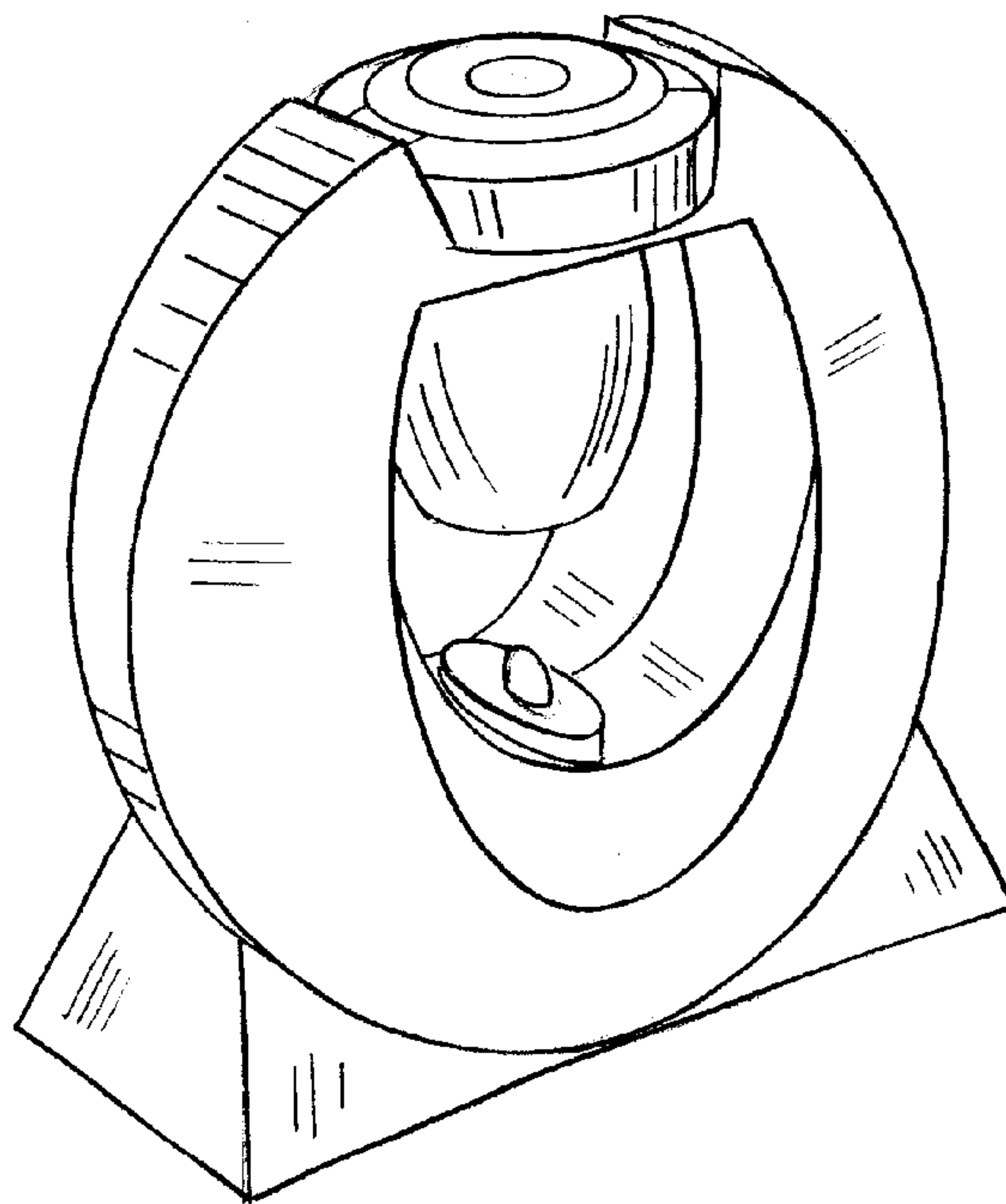


FIG. 2

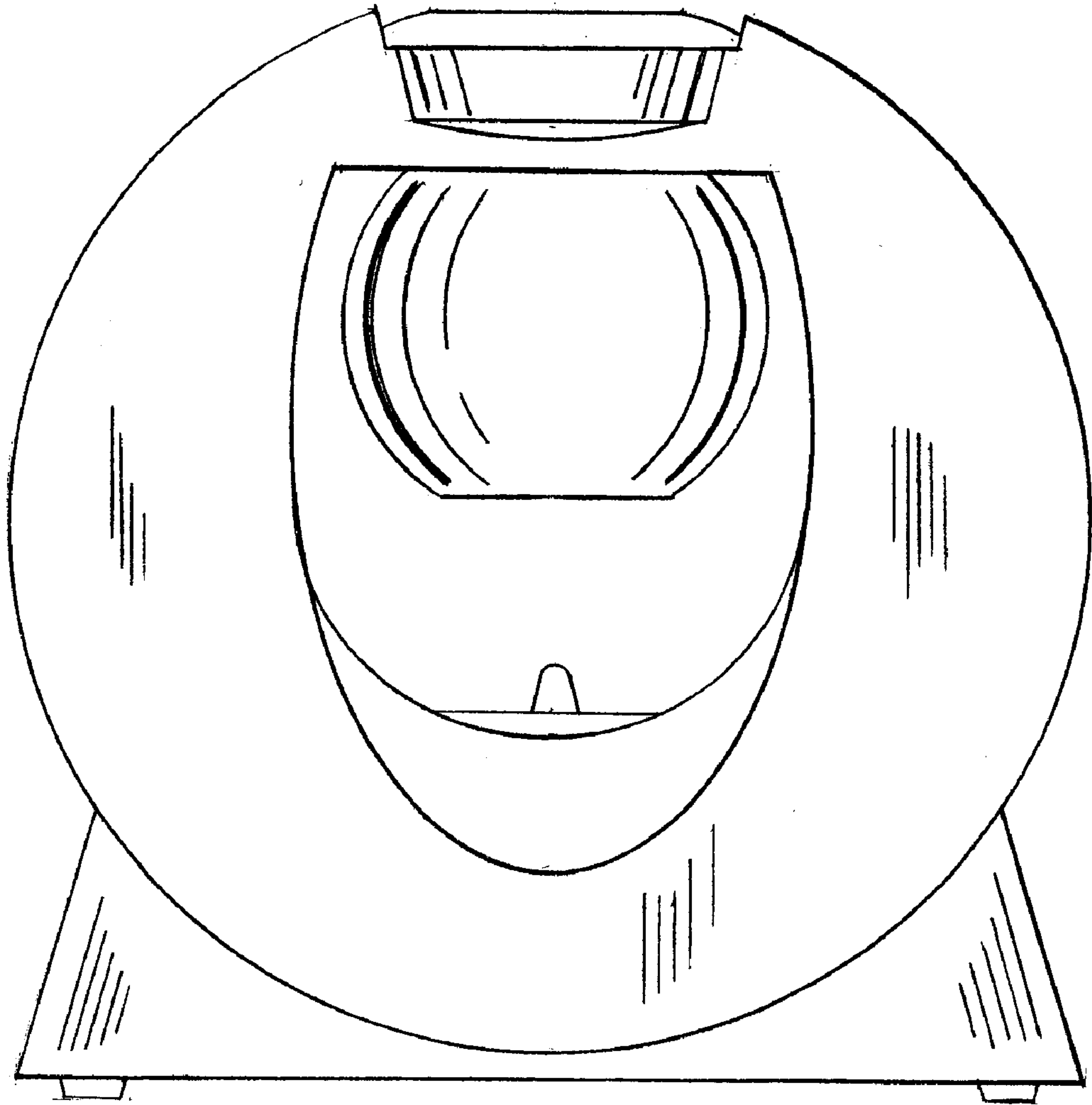


FIG. 3

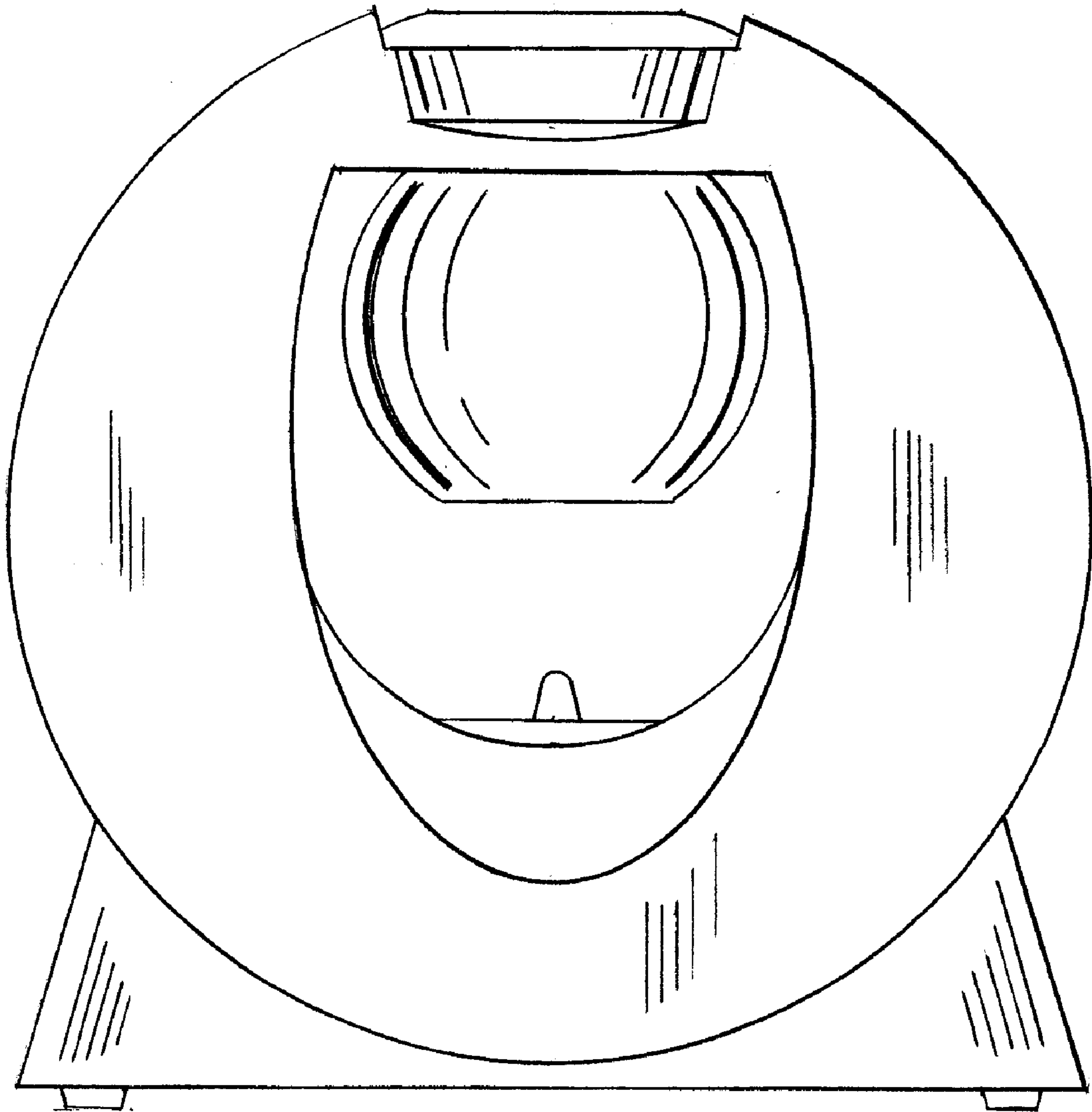


FIG. 4

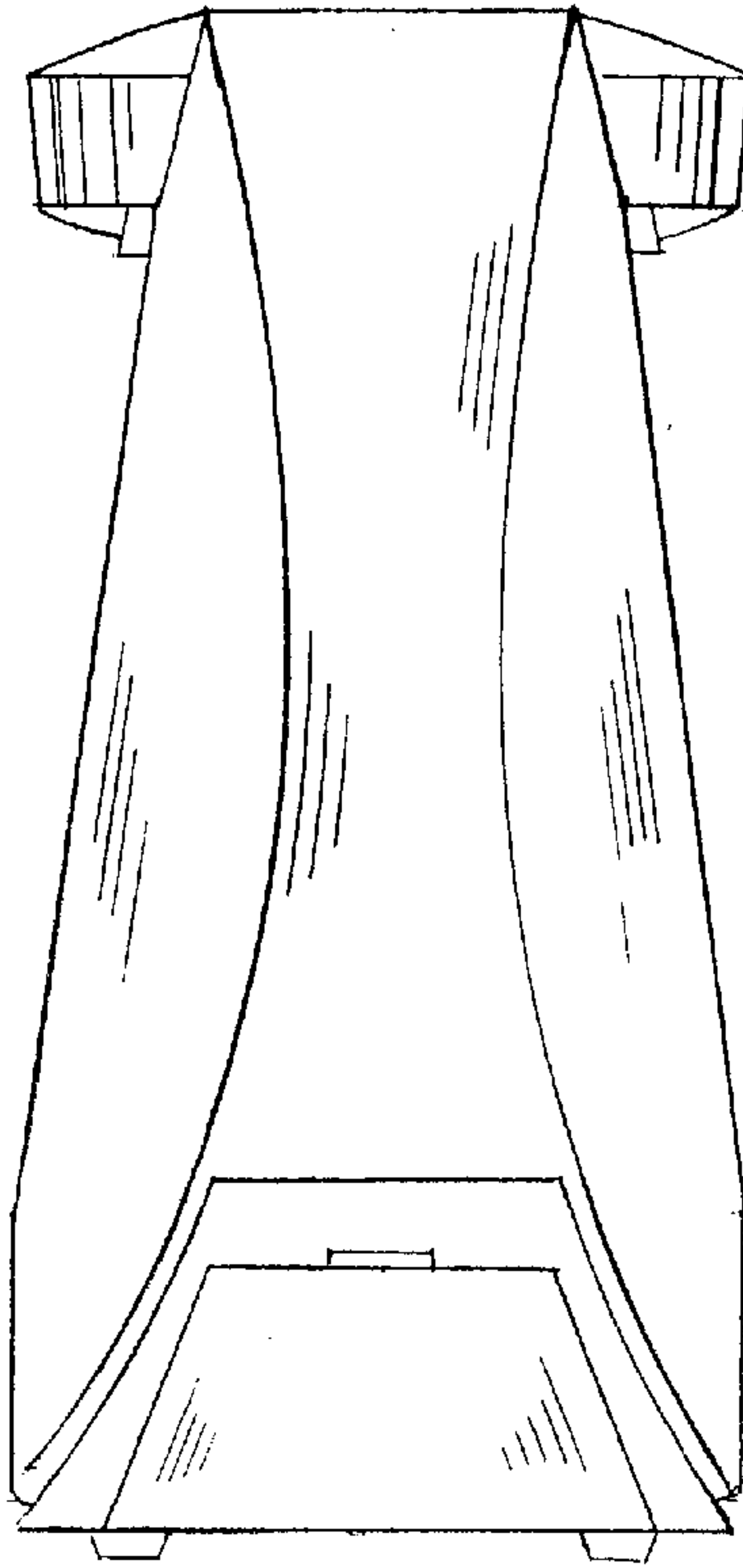


FIG. 5

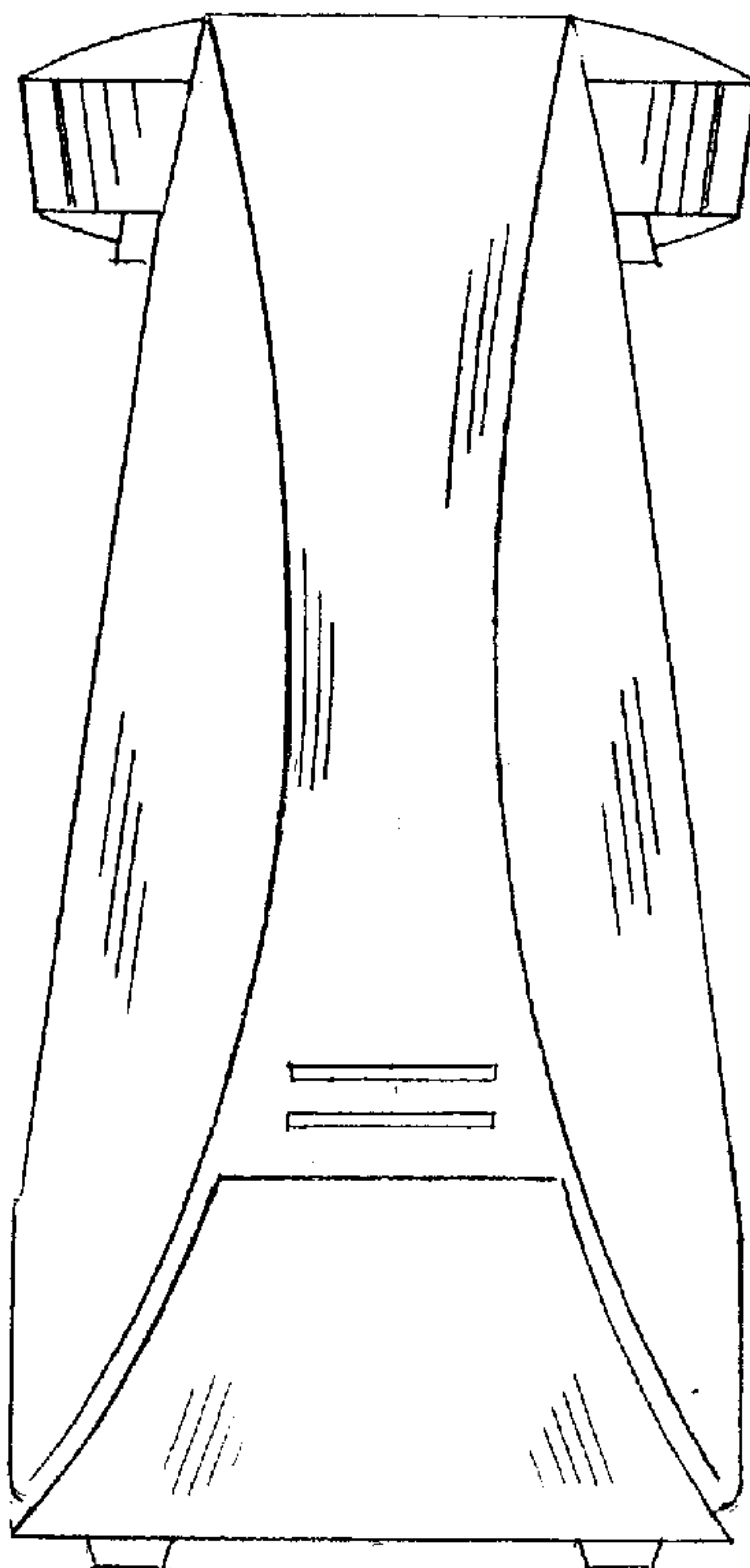


FIG. 6

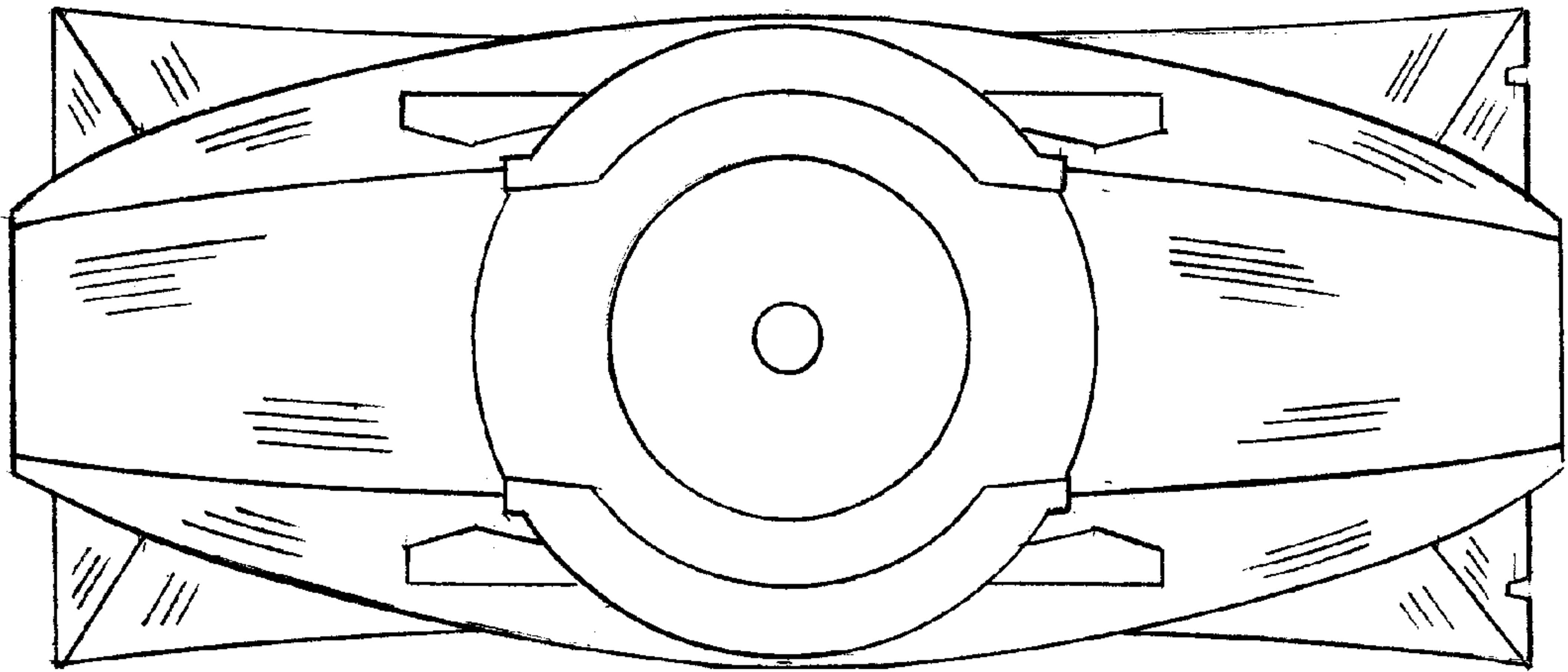


FIG. 7

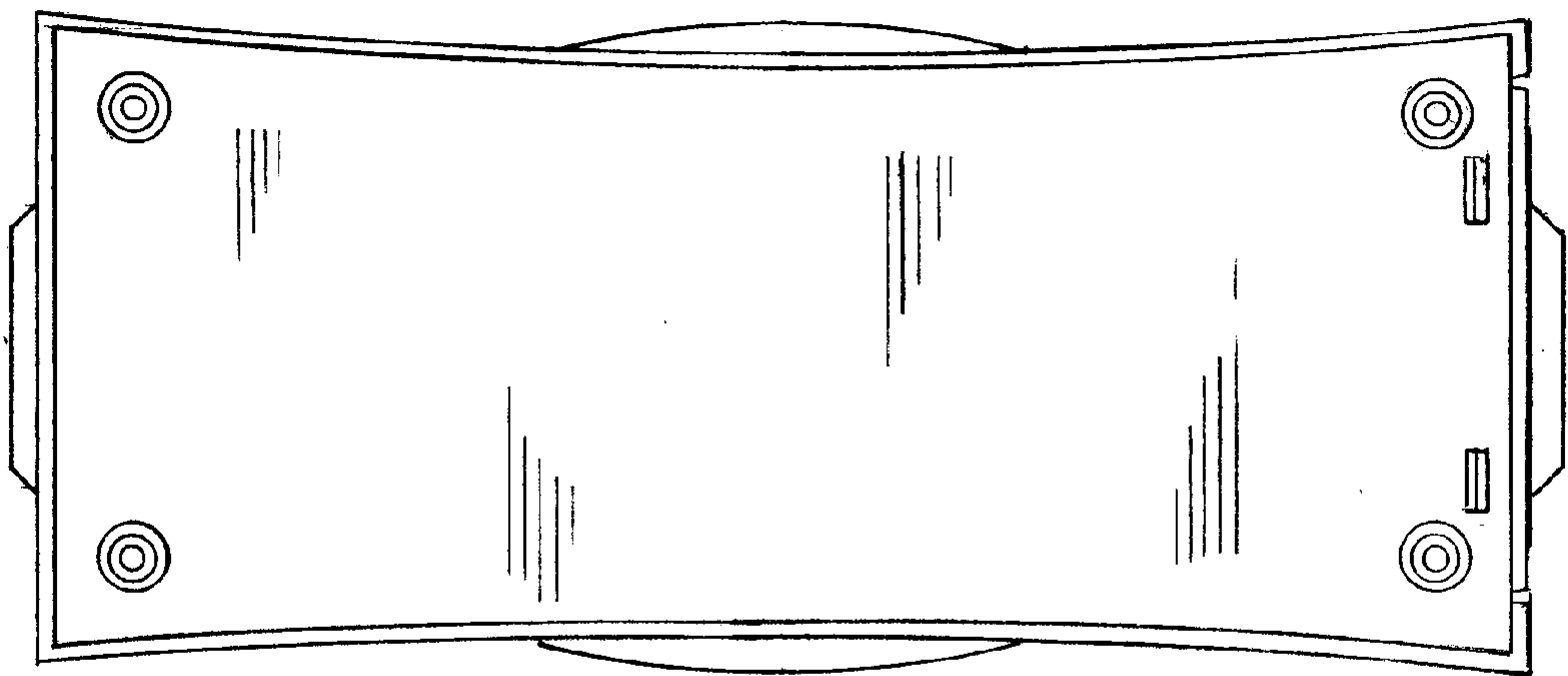


FIG. 8