



US00D486900S

(12) **United States Design Patent**
Keller et al.

(10) **Patent No.:** **US D486,900 S**

(45) **Date of Patent:** **** Feb. 17, 2004**

(54) **HUMIDIFIER**

(75) Inventors: **Kevin Eugene Keller**, Wichita, KS (US); **Luke Edward Kelly**, Augusta, KS (US); **Glen Wesley Ediger**, North Newton, KS (US)

(73) Assignee: **Vornado Air Circulation Systems, Inc.**, Andover, KS (US)

(**) Term: **14 Years**

(21) Appl. No.: **29/177,749**

(22) Filed: **Mar. 14, 2003**

(51) **LOC (7) Cl.** **23-04**

(52) **U.S. Cl.** **D23/356**

(58) **Field of Search** D23/355, 364, D23/365, 356; 392/403-406, 394

(56) **References Cited**

U.S. PATENT DOCUMENTS

D330,074 S	10/1992	Wang et al.	
5,490,957 A	2/1996	Lasko et al.	
D374,480 S	10/1996	Micoley	
D380,534 S	7/1997	Chiu et al.	
D384,140 S	9/1997	Jane' et al.	
5,682,932 A	11/1997	Ediger	
D388,162 S	12/1997	Chiu et al.	
D394,099 S	5/1998	Tsuji	
D408,511 S	4/1999	Allen et al.	
D413,661 S	* 9/1999	Litvin et al.	D23/356
D416,316 S	11/1999	Cox et al.	
D428,979 S	* 8/2000	Cox et al.	D23/356

D431,643 S	* 10/2000	Krauss et al.	D23/356
D434,127 S	11/2000	Dery et al.	
D455,482 S	4/2002	Krauss	
D459,456 S	* 6/2002	Campbell	D23/356

* cited by examiner

Primary Examiner—Robin V. Taylor

(74) *Attorney, Agent, or Firm*—Stinson Morrison Hecker LLP

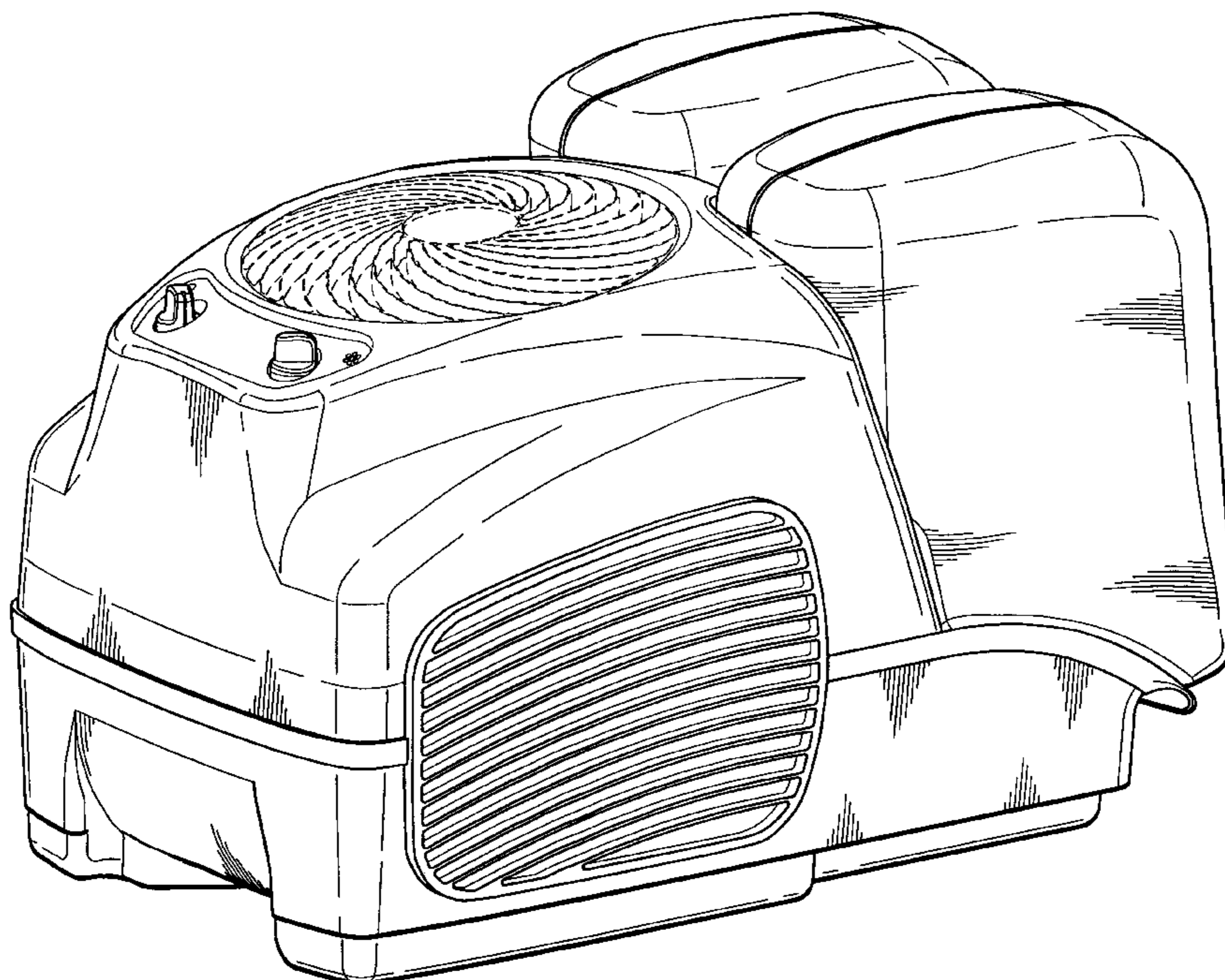
(57) **CLAIM**

The ornamental design for a humidifier, as shown and described.

DESCRIPTION

FIG. 1 is a front left side perspective view of the humidifier; FIG. 2 is a front right side perspective view of the humidifier of FIG. 1; FIG. 3 is a rear left side perspective view of the humidifier of FIG. 1; FIG. 4 is a left side elevational view of the humidifier of FIG. 1; FIG. 5 is a right side elevational view of the humidifier of FIG. 1; FIG. 6 is a front elevational view of the humidifier of FIG. 1; FIG. 7 is a rear elevational view of the humidifier of FIG. 1; FIG. 8 is a top plan view of the humidifier of FIG. 1; and, FIG. 9 is a bottom plan view of the humidifier of FIG. 1. The broken line showing is for illustrative purposes only and forms no part of the claimed design.

1 Claim, 8 Drawing Sheets



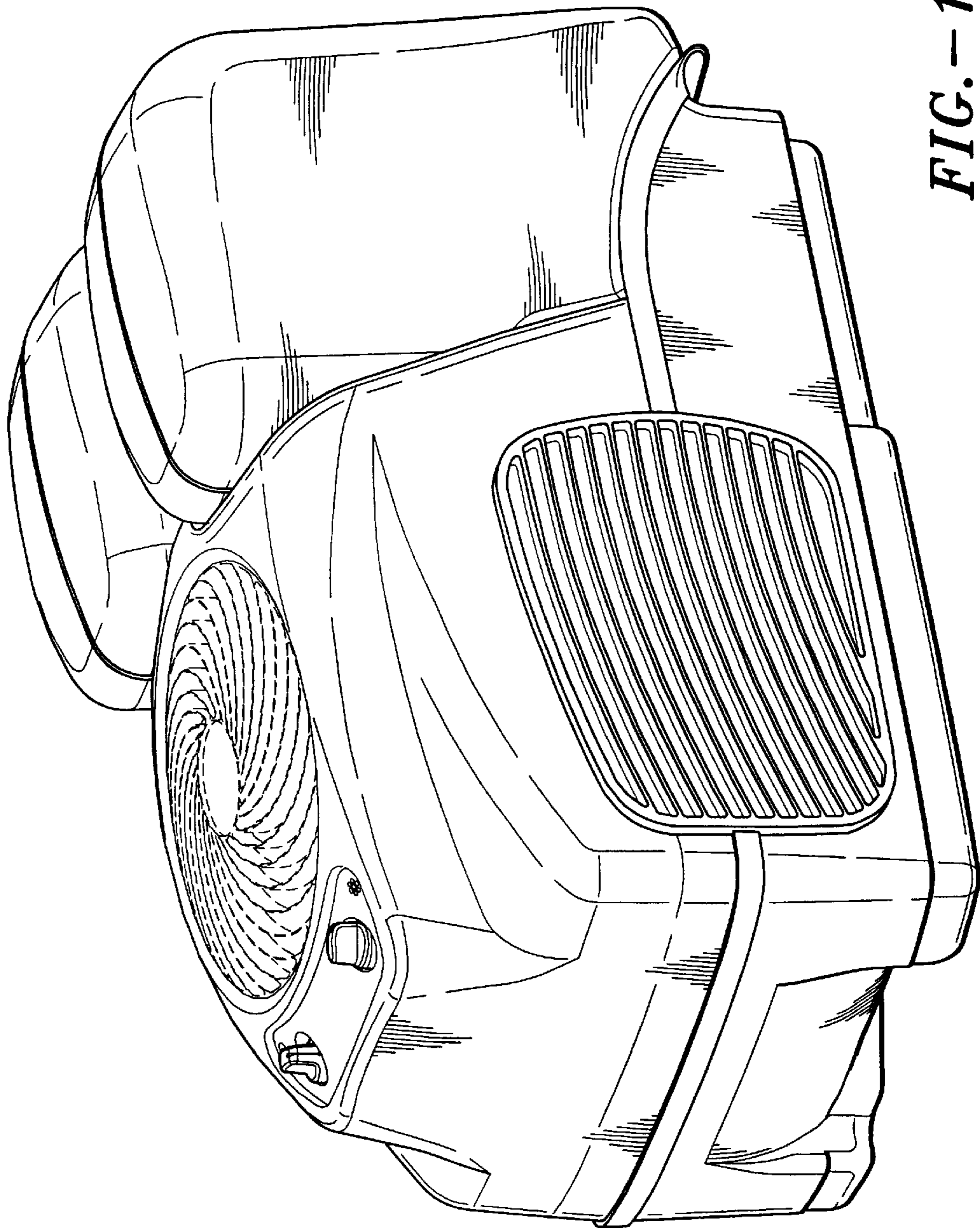


FIG. -- 1

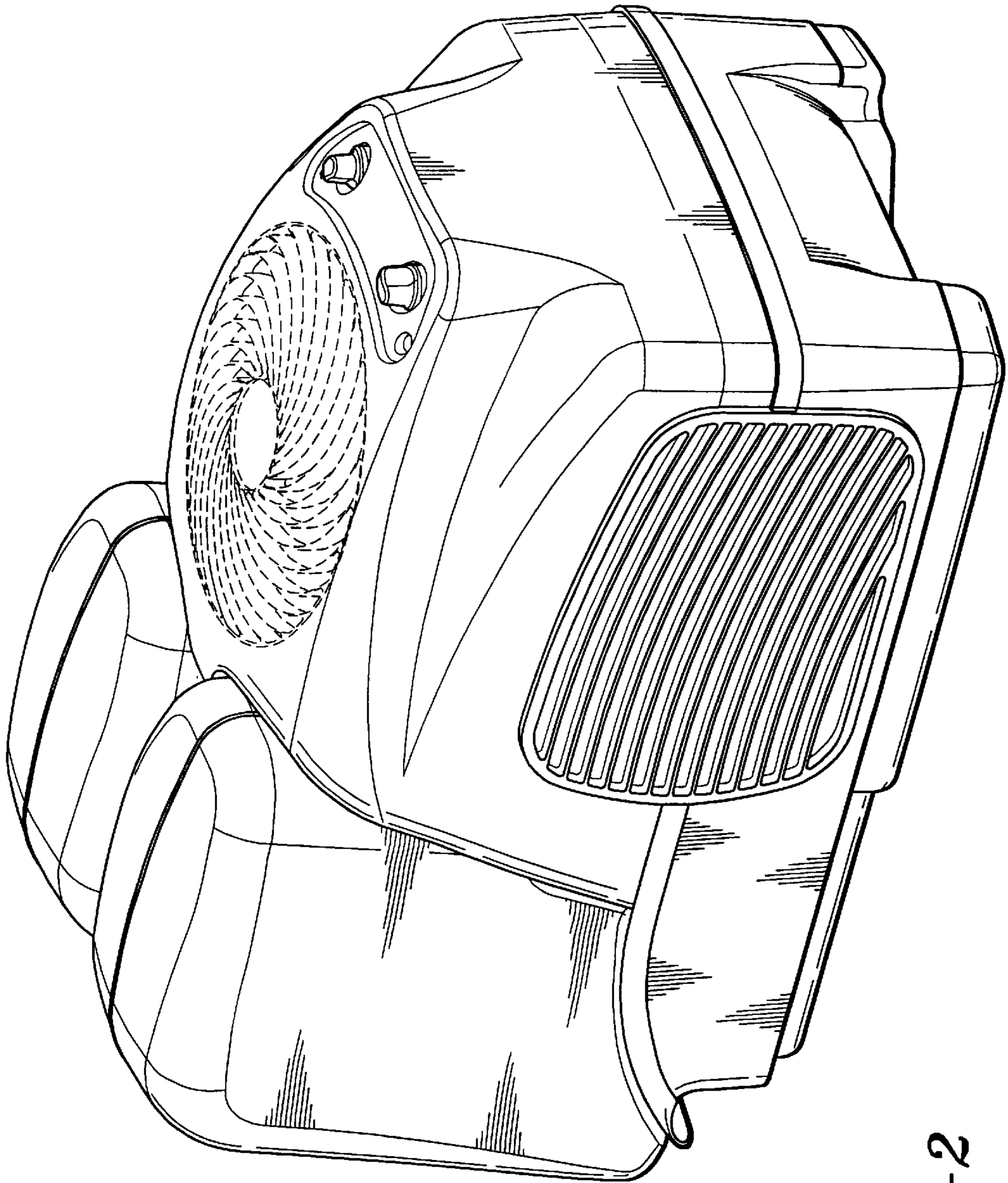


FIG. -2

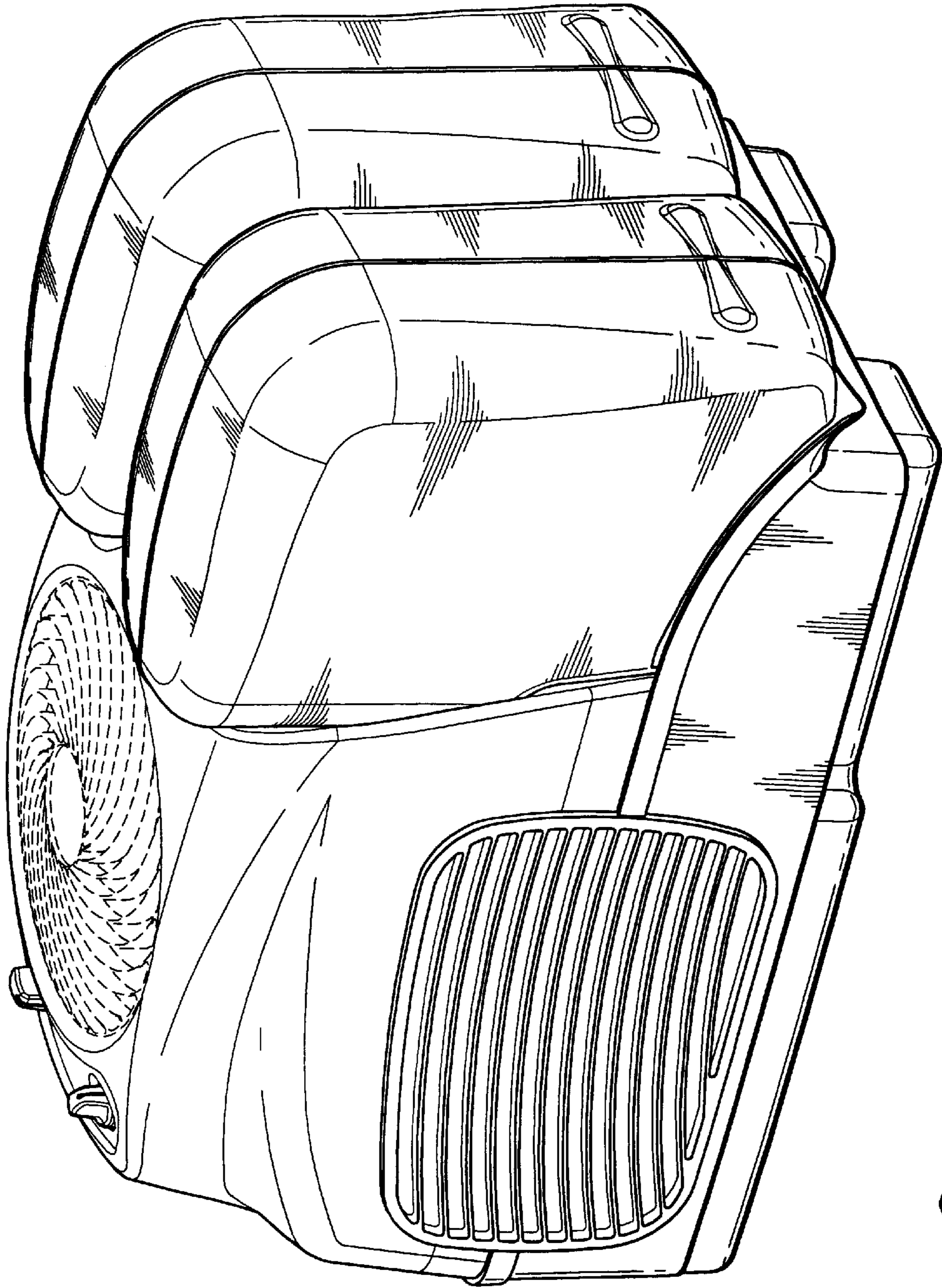


FIG. -3

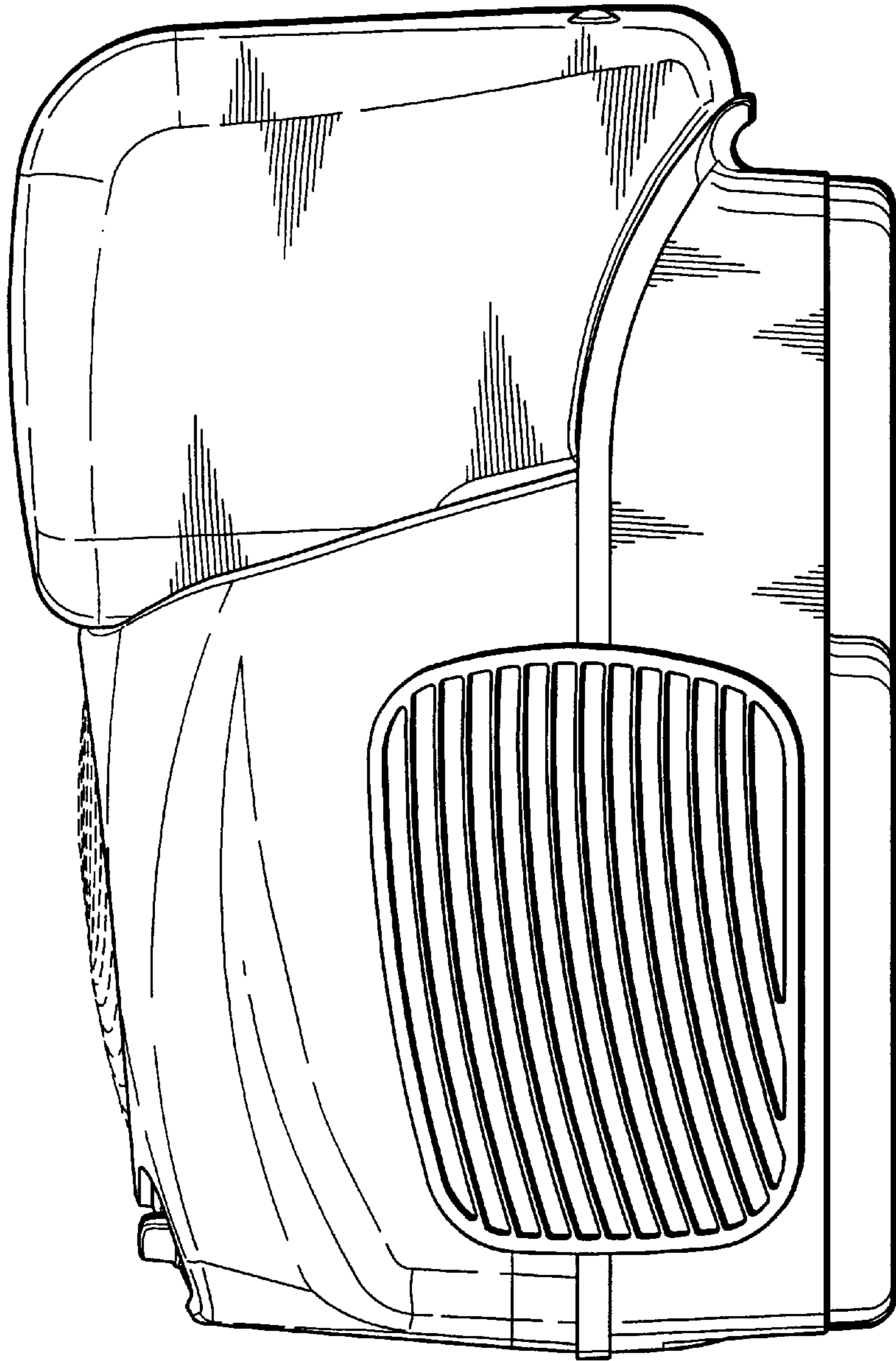


FIG. -4

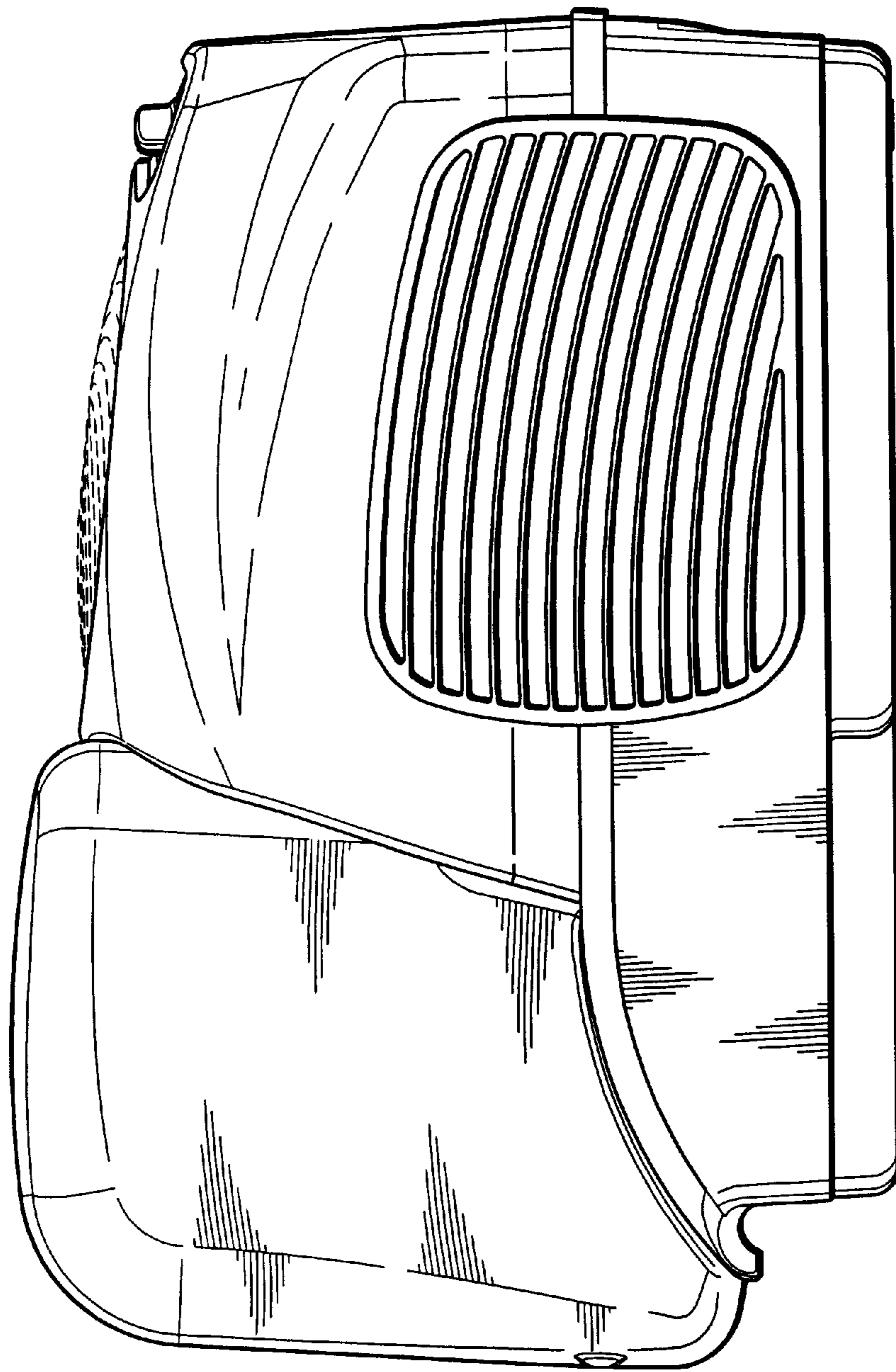


FIG. --5

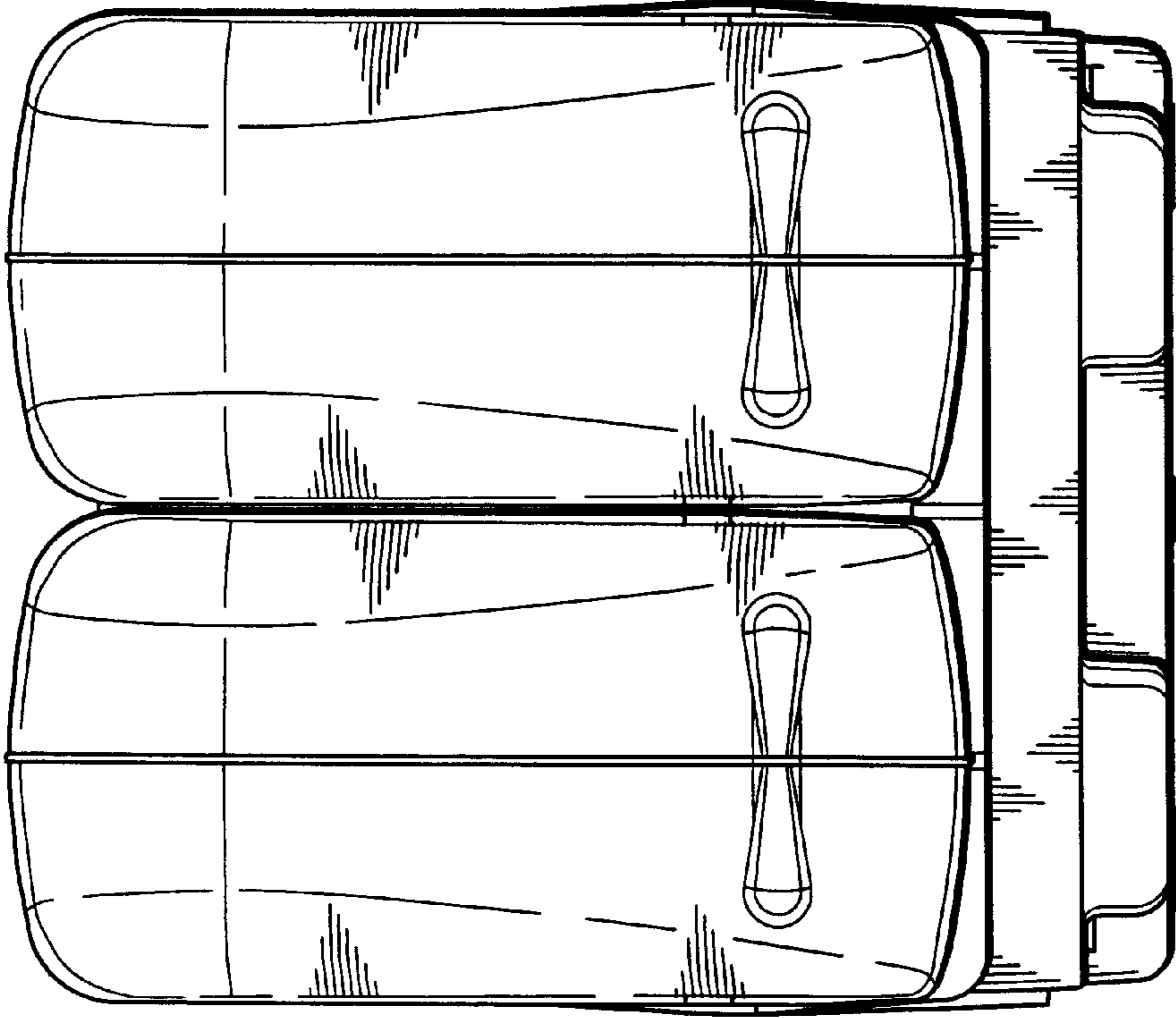


FIG. -7

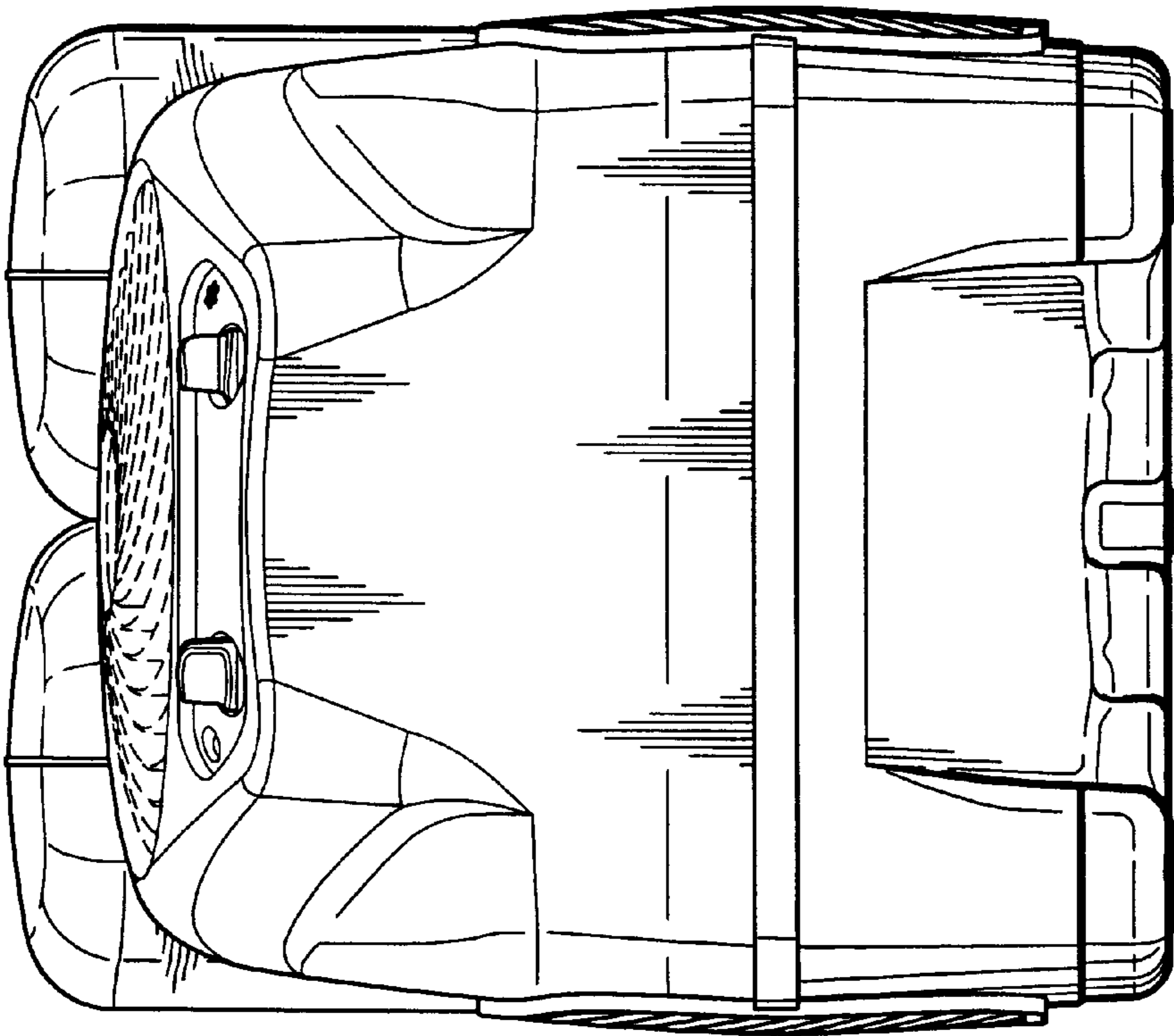


FIG. -6

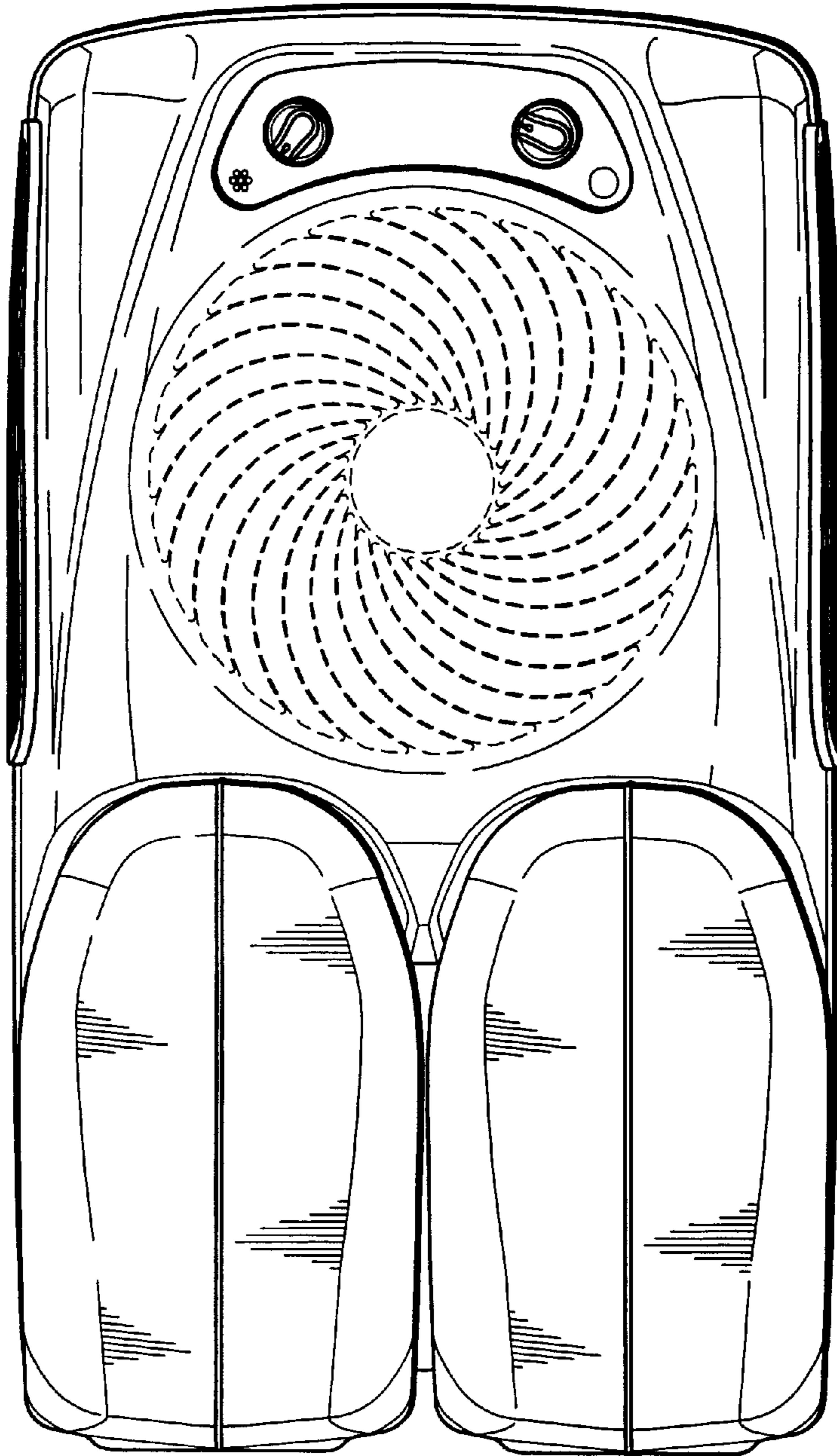


FIG. -8

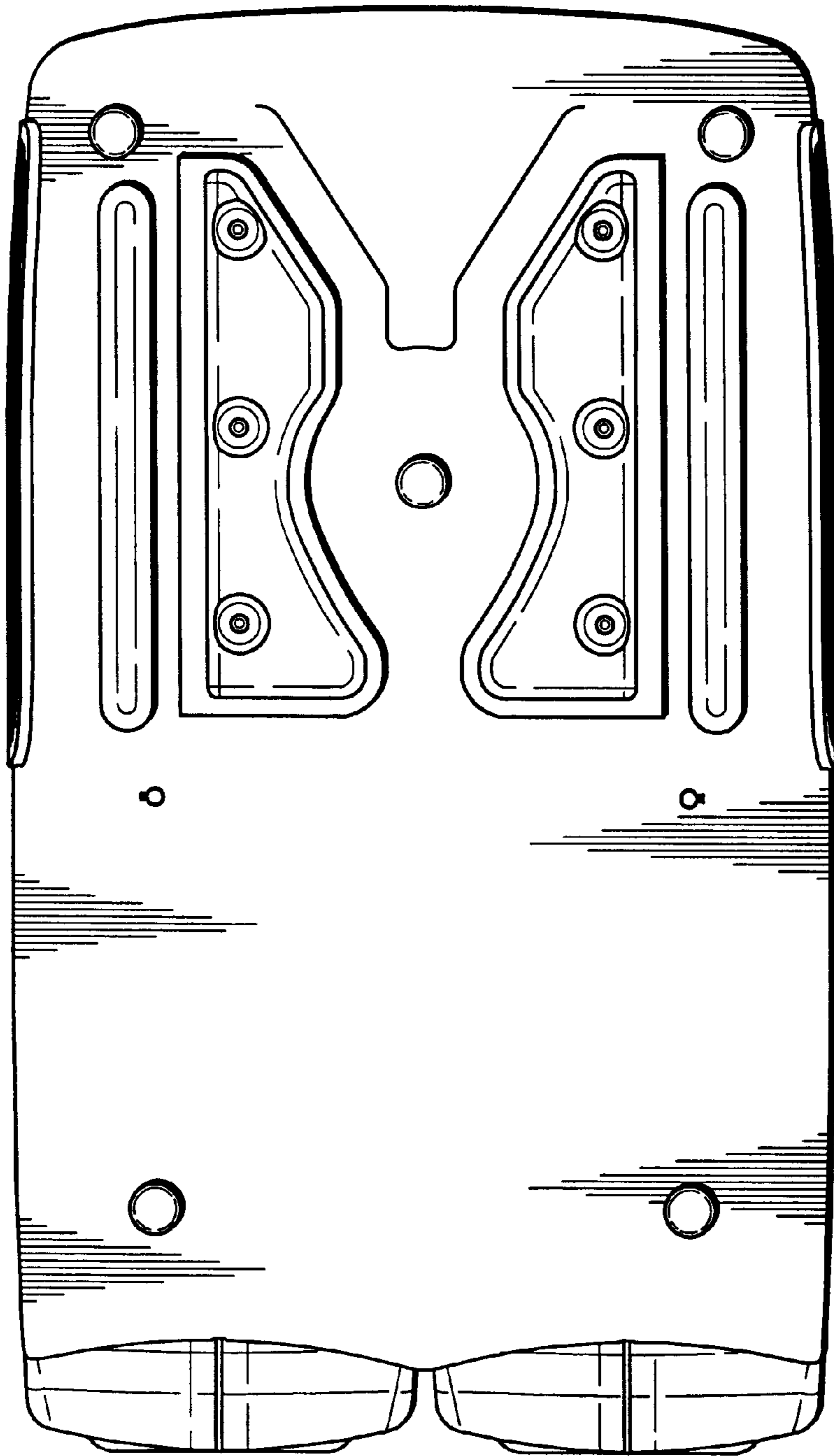


FIG. - 9