



US00D486898S

(12) **United States Design Patent**
Kendall

(10) **Patent No.:** **US D486,898 S**

(45) **Date of Patent:** **** Feb. 17, 2004**

(54) **HEAT EXCHANGER**

(75) **Inventor:** **Charles B. Kendall**, Brookfield, WI (US)

(73) **Assignee:** **GE Medical Systems Global Technology Company, LLC**, Waukesha, WI (US)

(**) **Term:** **14 Years**

(21) **Appl. No.:** **29/182,717**

(22) **Filed:** **May 30, 2003**

(51) **LOC (7) Cl.** **23-04**

(52) **U.S. Cl.** **D23/323**

(58) **Field of Search** D23/314, 323, D23/322, 330; 165/144, 157, 135, 178, 154, 901, 902

(56) **References Cited**

U.S. PATENT DOCUMENTS

D264,500 S * 5/1982 Beaton D23/323 X

4,475,530 A * 10/1984 Albertson 165/901 X
D349,333 S * 8/1994 King D23/314
D448,460 S * 9/2001 Hamasaki et al. D23/323

* cited by examiner

Primary Examiner—Brian N. Vinson

(74) *Attorney, Agent, or Firm*—John A. Artz, Artz & Artz P.C.

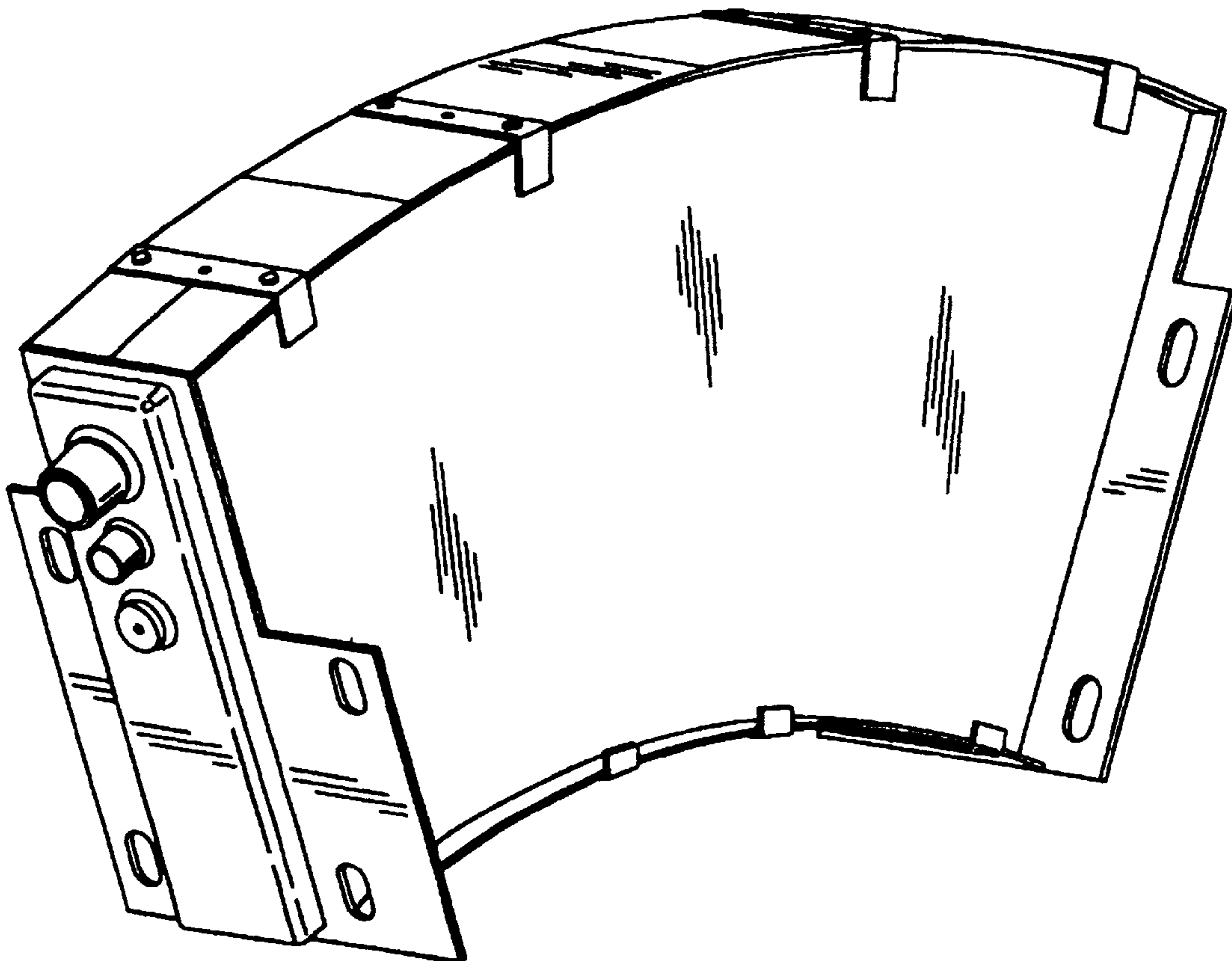
(57) **CLAIM**

The ornamental design for a heat exchanger, as shown and described.

DESCRIPTION

FIG. 1 is a perspective view of the inventive heat exchanger; FIG. 2 is a front plan view of the heat exchanger; FIG. 3 is a back plan view of the heat exchanger; FIG. 4 is a top plan view of the heat exchanger; FIG. 5 is a bottom plan view of the heat exchanger; FIG. 6 is a first end plan view of the heat exchanger; and, FIG. 7 is the other end plan view of the heat exchanger.

1 Claim, 3 Drawing Sheets



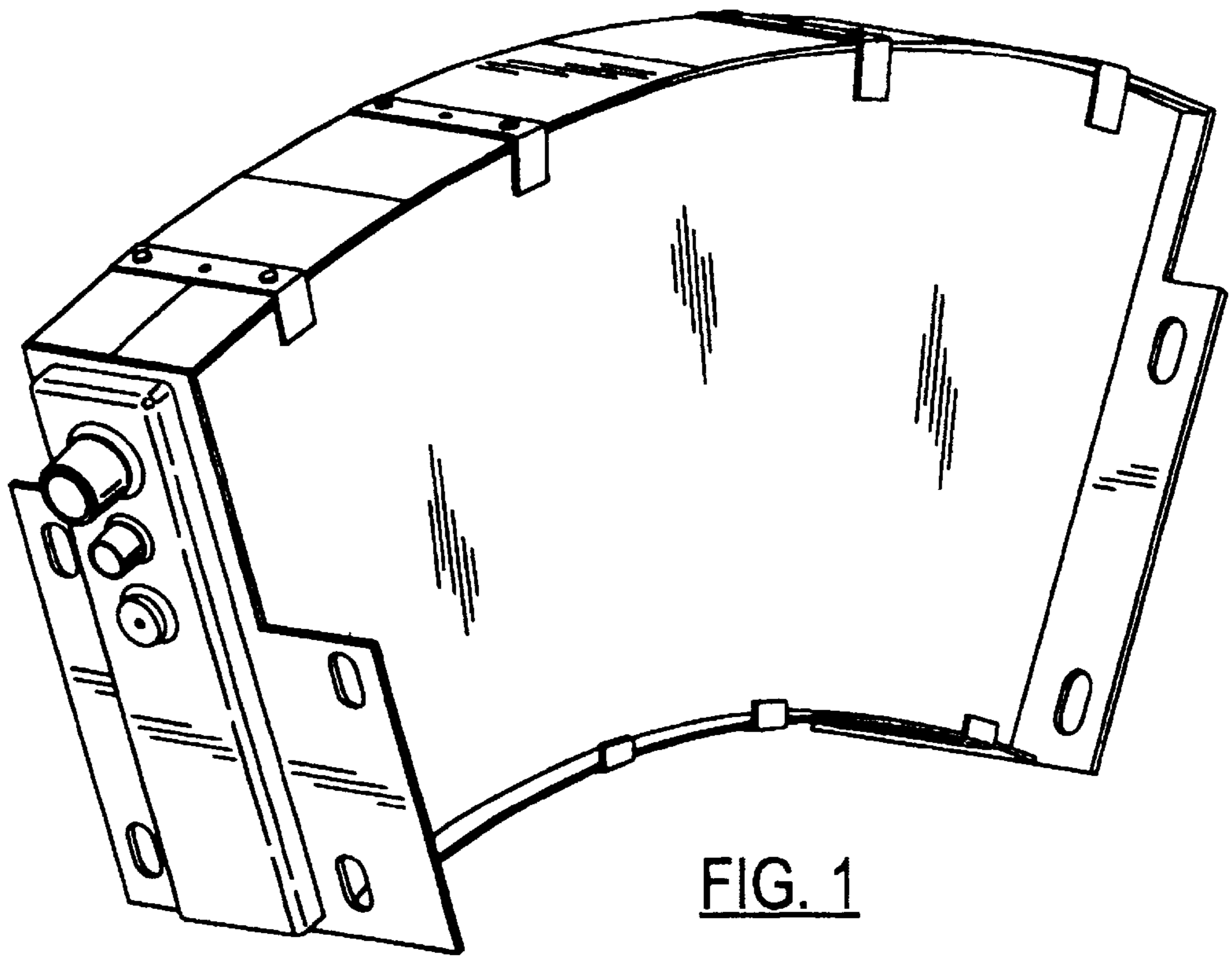


FIG. 1

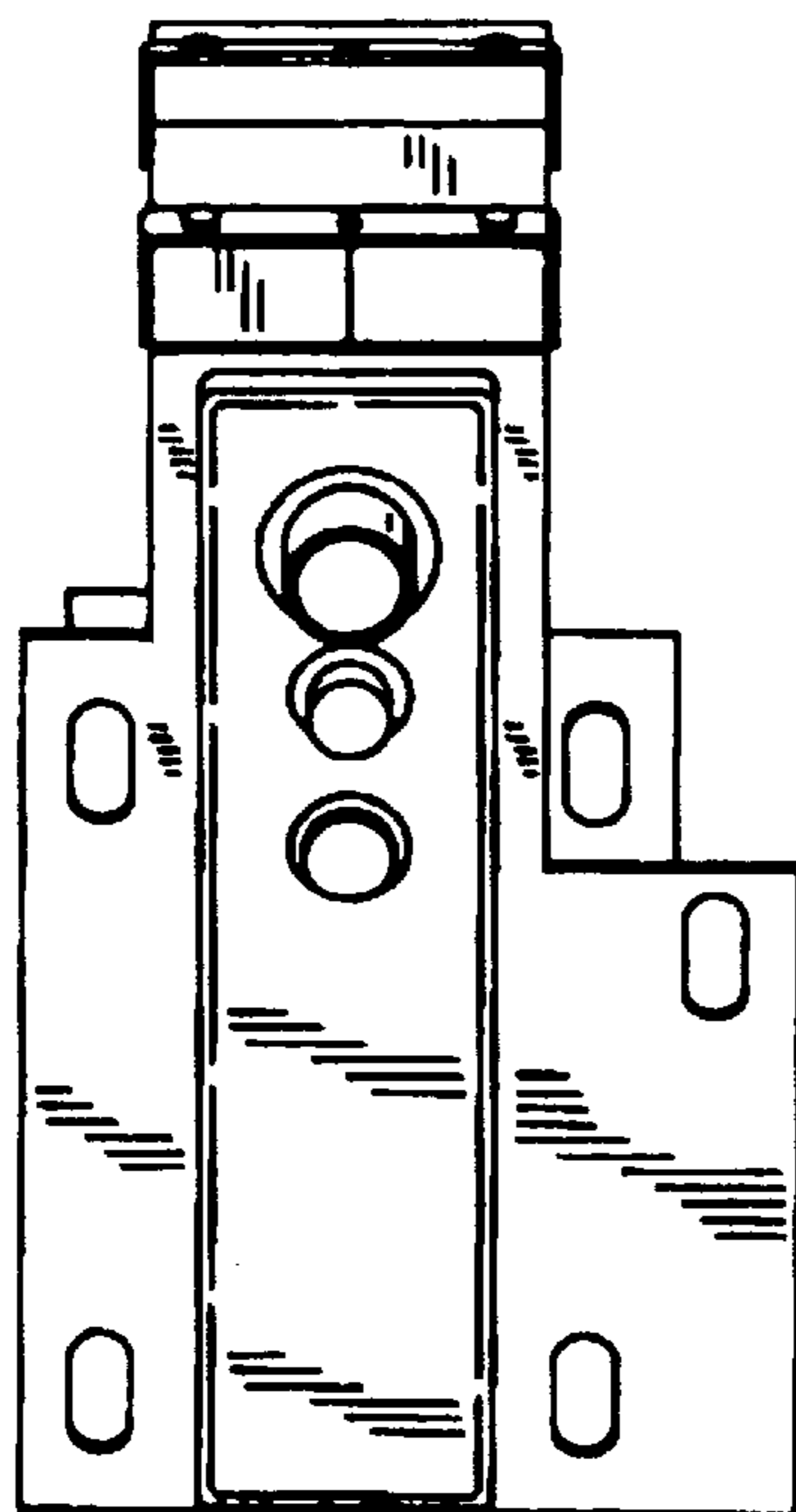


FIG. 6

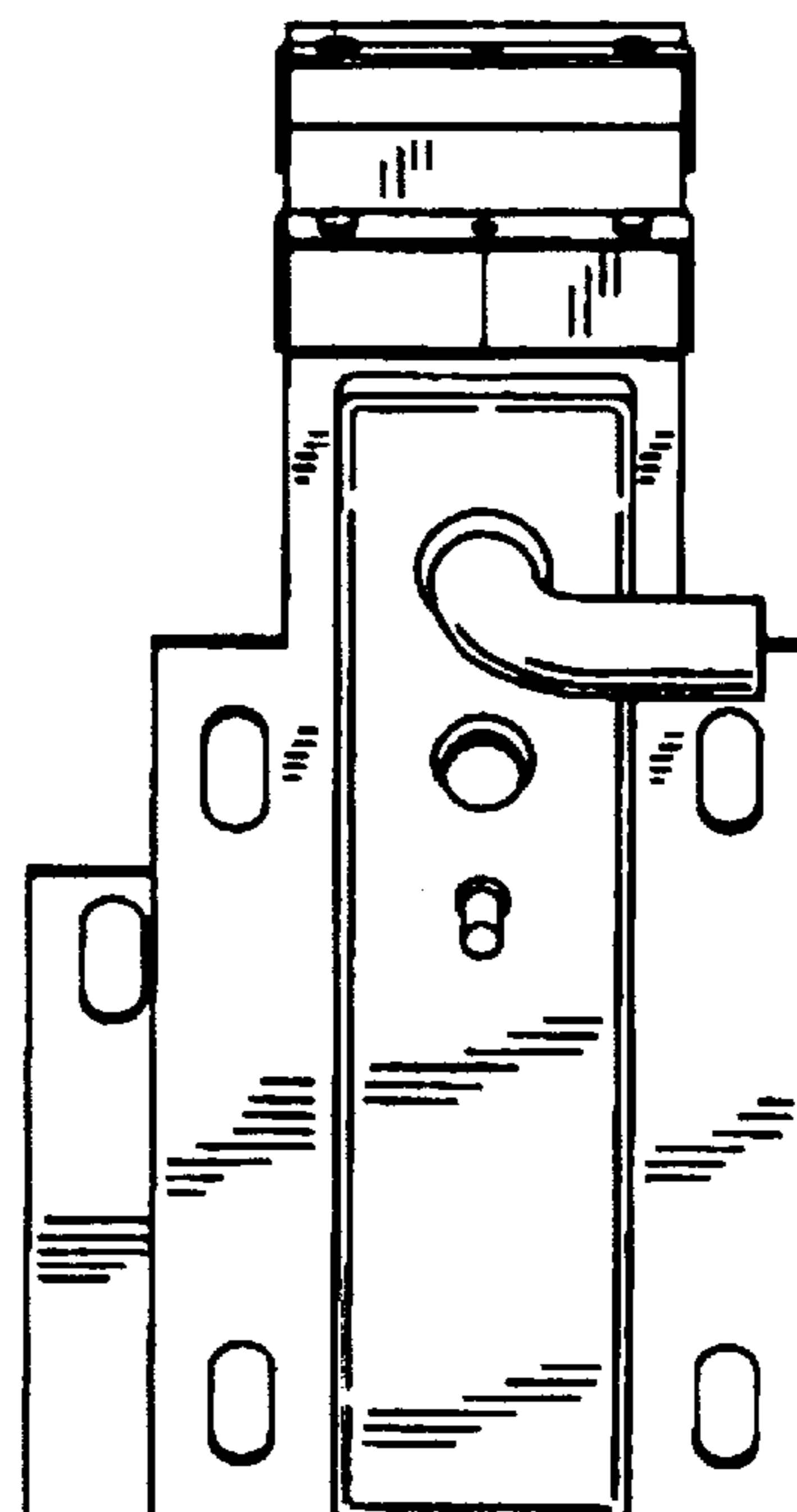


FIG. 7

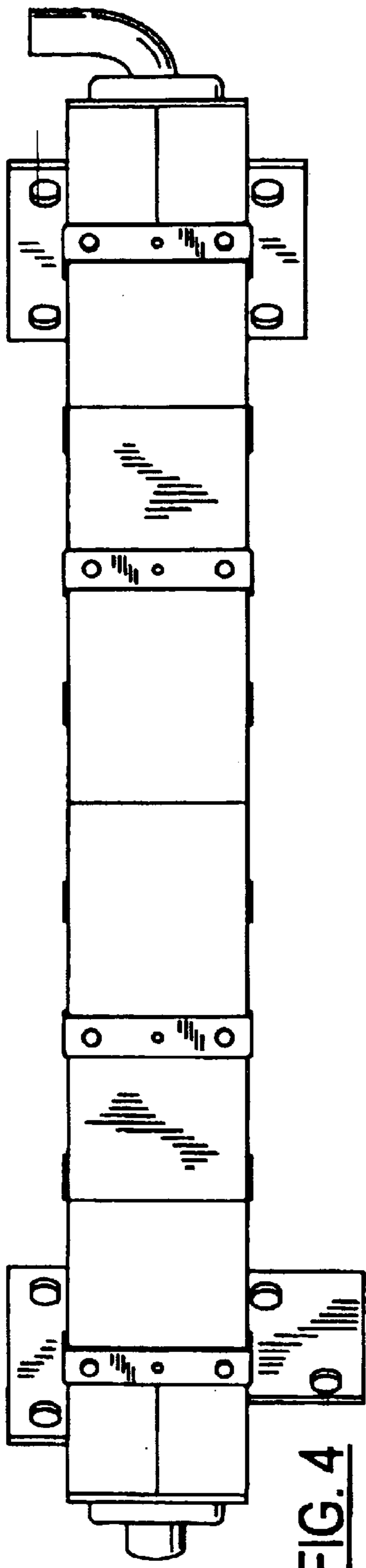


FIG. 4

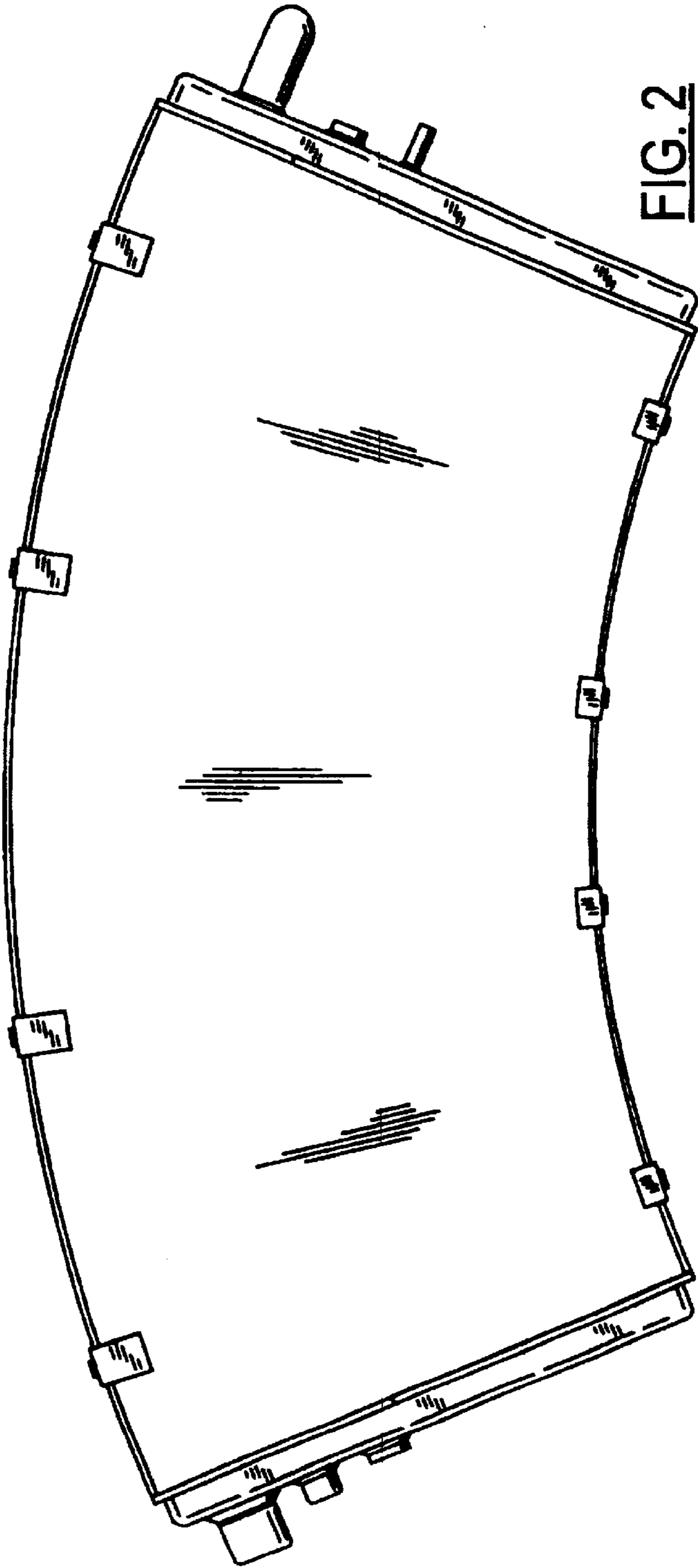


FIG. 2

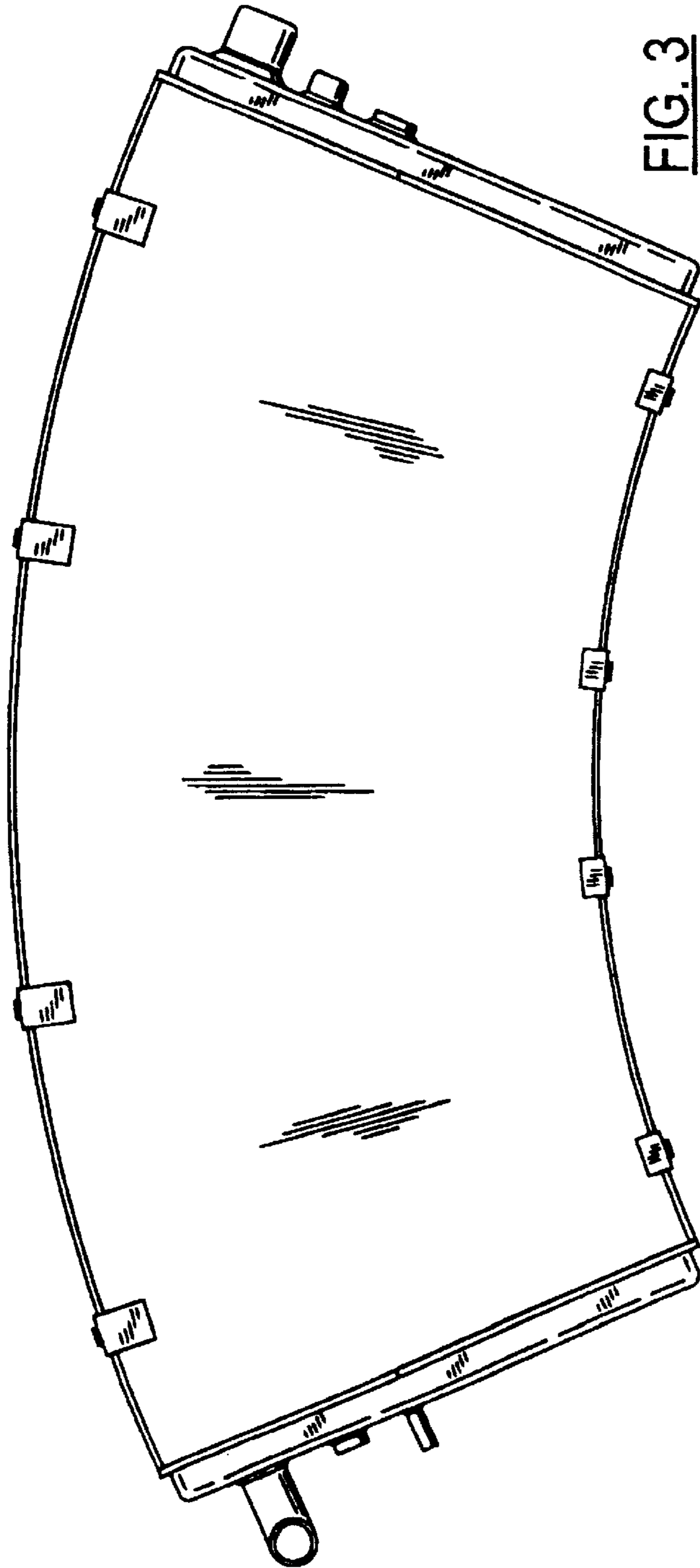


FIG. 3

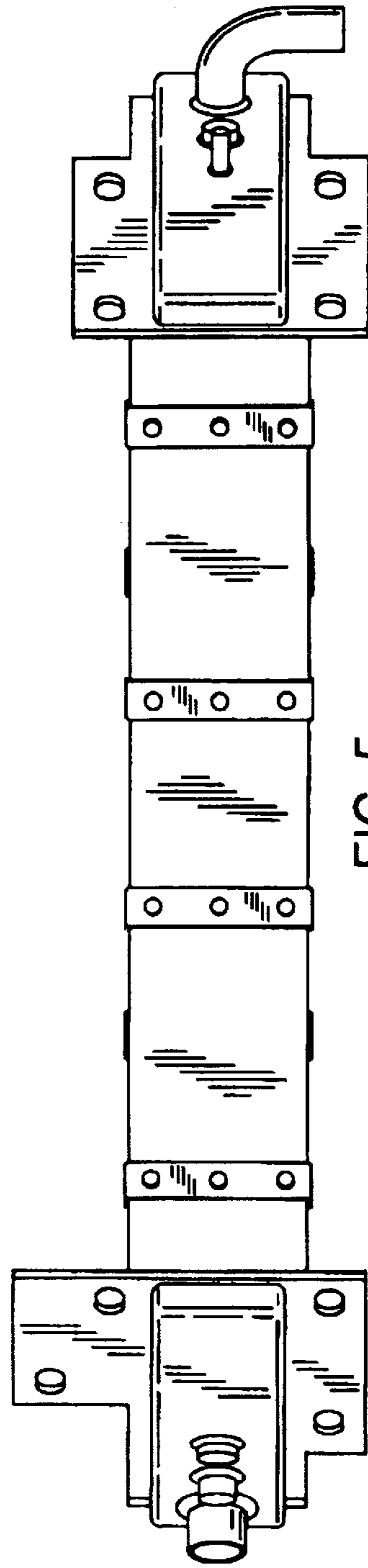


FIG. 5