



US00D486892S

(12) **United States Design Patent**
Krist et al.

(10) **Patent No.:** **US D486,892 S**

(45) **Date of Patent:** **** Feb. 17, 2004**

(54) **MOUNTING COLUMN FOR SANITARY INSTALLATIONS**

(75) Inventors: **Dieter Krist**, Winnenden (DE); **Bernd Hanel**, Fellbach (DE)

(73) Assignee: **E. Missel GmbH & Co.**, Stuttgart (DE)

(**) Term: **14 Years**

(21) Appl. No.: **29/167,608**

(22) Filed: **Sep. 17, 2002**

(30) **Foreign Application Priority Data**

Mar. 18, 2002 (DE) 4 02 02 566
Aug. 28, 2002 (DE) 4 02 07 250

(51) **LOC (7) Cl.** **23-02**

(52) **U.S. Cl.** **D23/270**

(58) **Field of Search** D23/270, 271,
D23/273, 274, 295, 300, 302, 303, 309,
459; D25/23, 35; D6/329, 512, 524; D8/349;
52/34, 261, 280, 301, 220.1, 220.2; 4/695,
252.1-252.3, 643, 663, 664, 670, 571.1,
576.1, 596, 604, 611

(56) **References Cited**

U.S. PATENT DOCUMENTS

2,549,506 A * 4/1951 Moore 4/576.1
4,030,145 A * 6/1977 Rowan 4/664
4,378,173 A * 3/1983 Hopwell 403/108
4,965,974 A * 10/1990 LeBow 52/301
5,070,549 A * 12/1991 Campe 4/596
5,090,064 A * 2/1992 Breitenberger 4/252.2
5,150,480 A * 9/1992 Schmucki 4/252.3
5,341,528 A * 8/1994 Sultzbaugh 4/611

6,035,589 A * 3/2000 Schmucki et al. 52/34
6,128,787 A * 10/2000 Krist et al. 4/252.3
D437,063 S * 1/2001 Lancelot et al. D8/349
6,612,457 B1 * 9/2003 Caron 220/480

* cited by examiner

Primary Examiner—Louis S. Zarfaz

Assistant Examiner—Deanne Levy

(74) *Attorney, Agent, or Firm*—Townsend and Townsend and Crew LLP

(57) **CLAIM**

The ornamental design for mounting column for sanitary installations, as shown and described herein.

DESCRIPTION

FIG. 1 is a perspective, front elevational view of a first embodiment of a mounting column for sanitary installations showing our new design;

FIG. 2 is a plan view thereof;

FIG. 3 is a front elevational view thereof;

FIG. 4 is a left side elevational view thereof, the opposite side being a mirror image thereof;

FIG. 5 is a rear elevational view thereof;

FIG. 6 is a bottom end view thereof;

FIG. 7 is a perspective, front elevational view of a second embodiment of a mounting column for sanitary installations showing our new design;

FIG. 8 is a plan view thereof;

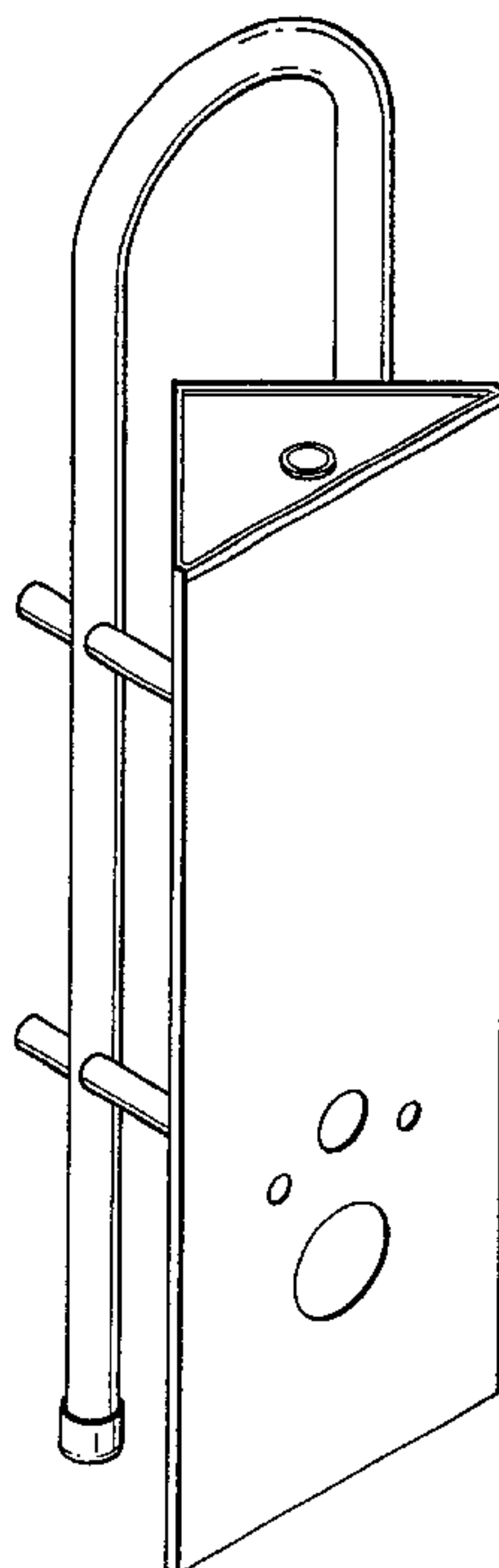
FIG. 9 is a front elevational view thereof;

FIG. 10 is a side elevational view thereof, the opposite side being a mirror image thereof;

FIG. 11 is a rear elevational view thereof; and,

FIG. 12 is a bottom end view thereof.

1 Claim, 6 Drawing Sheets



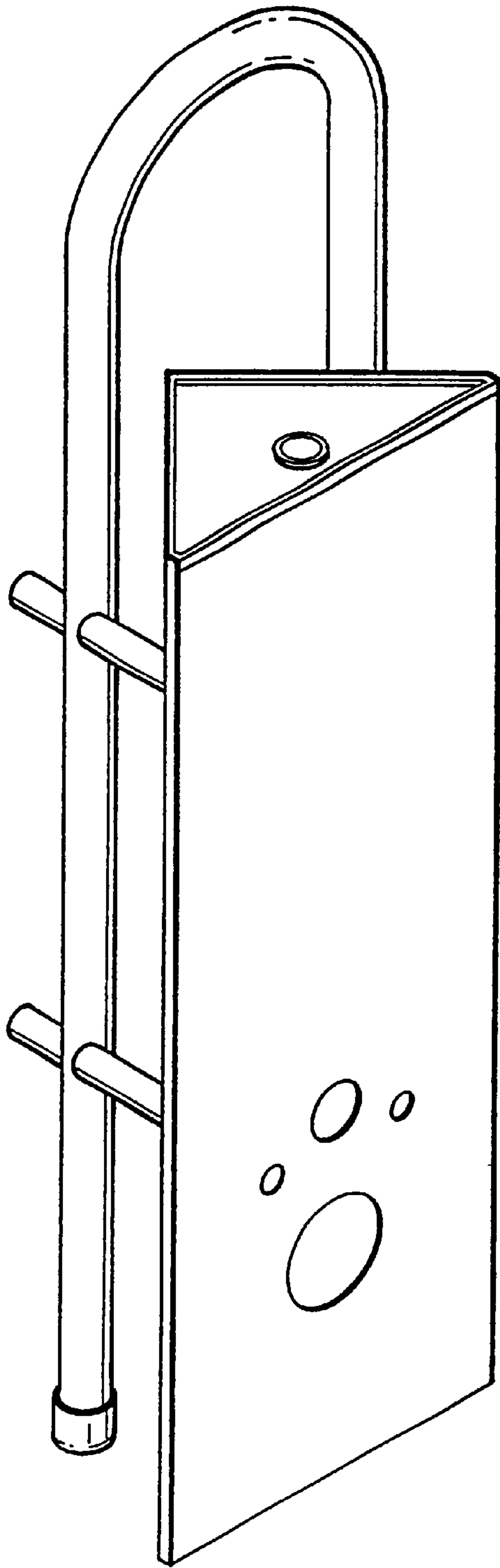


Fig. 1

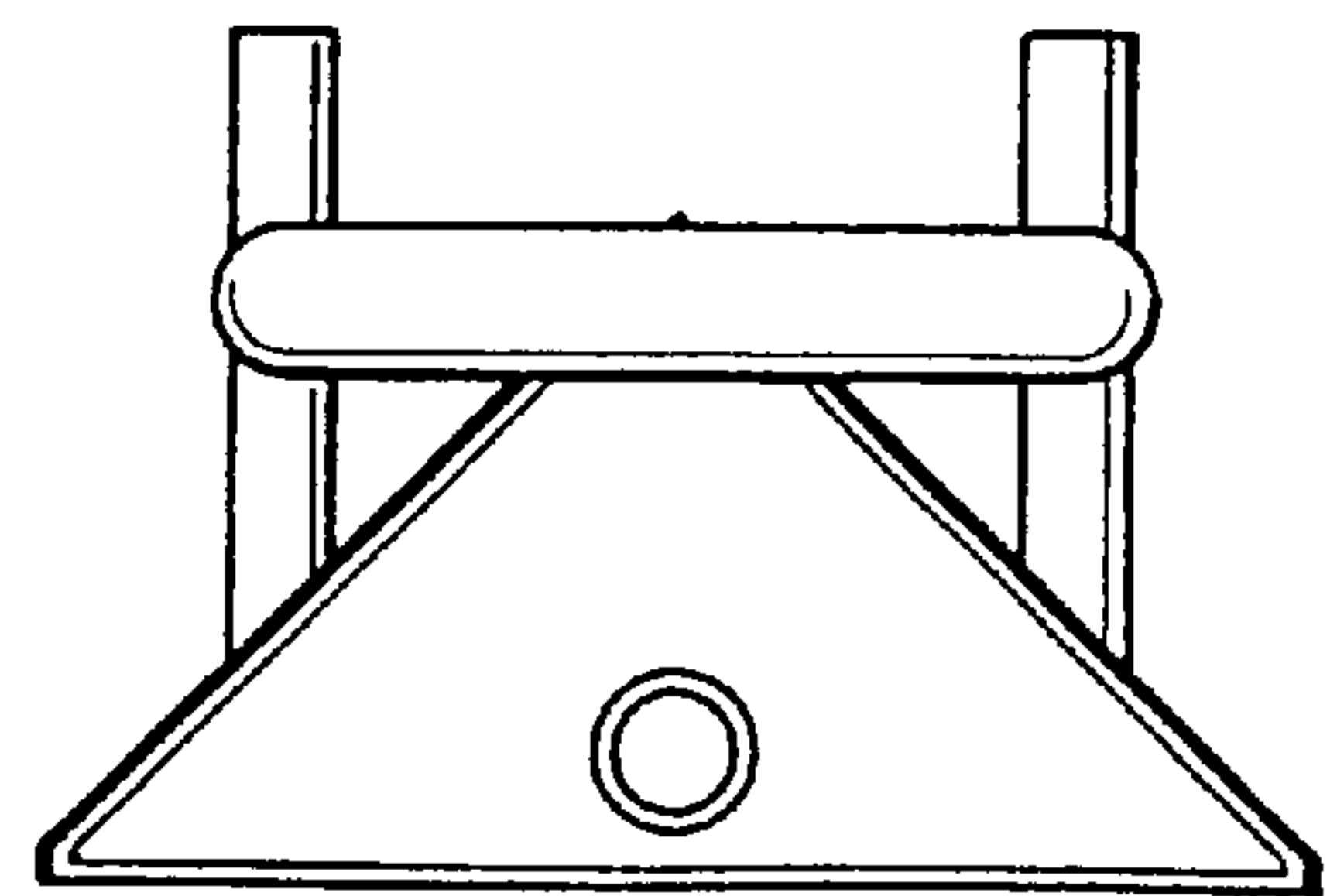


Fig. 2

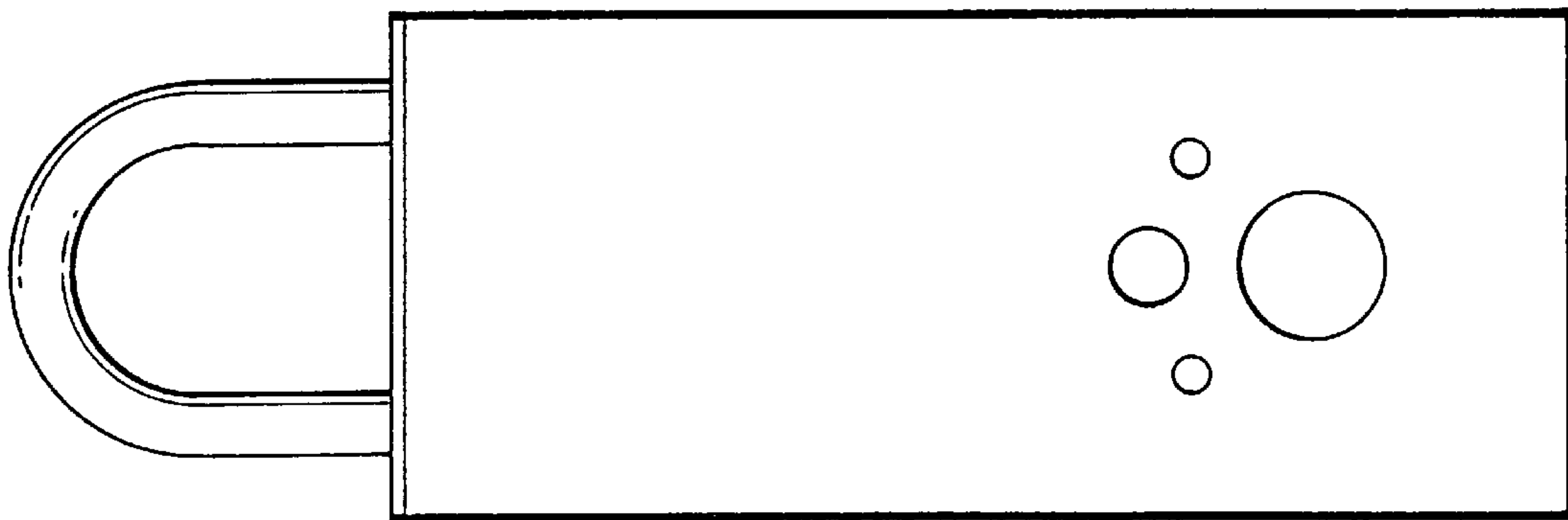


Fig. 3

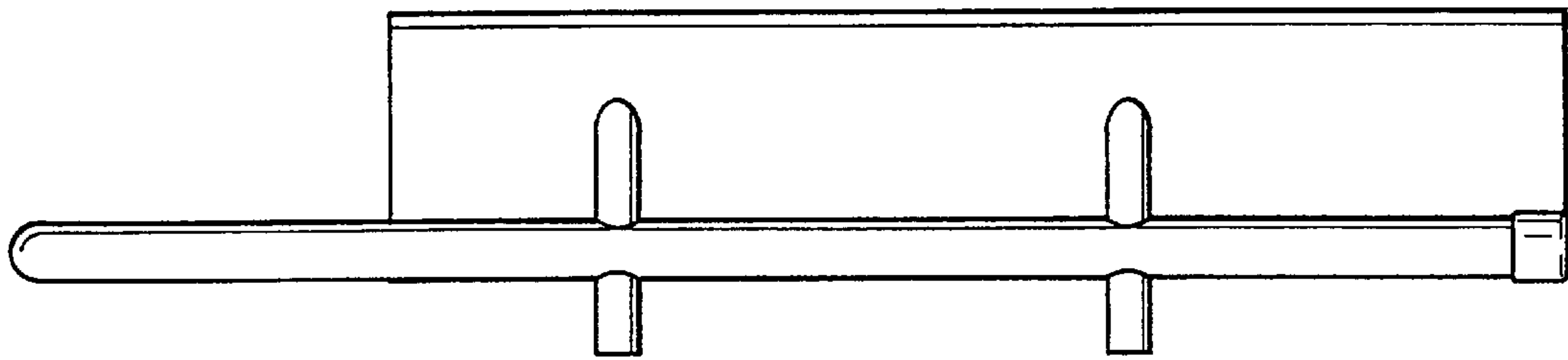


Fig. 4

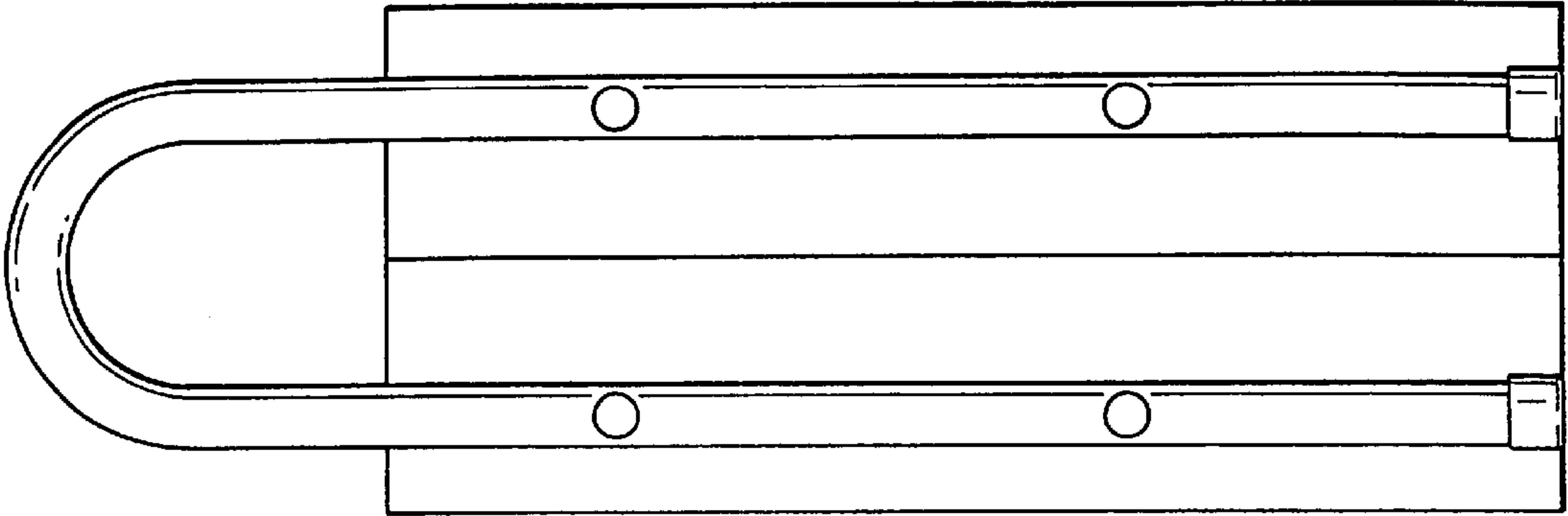


Fig. 5

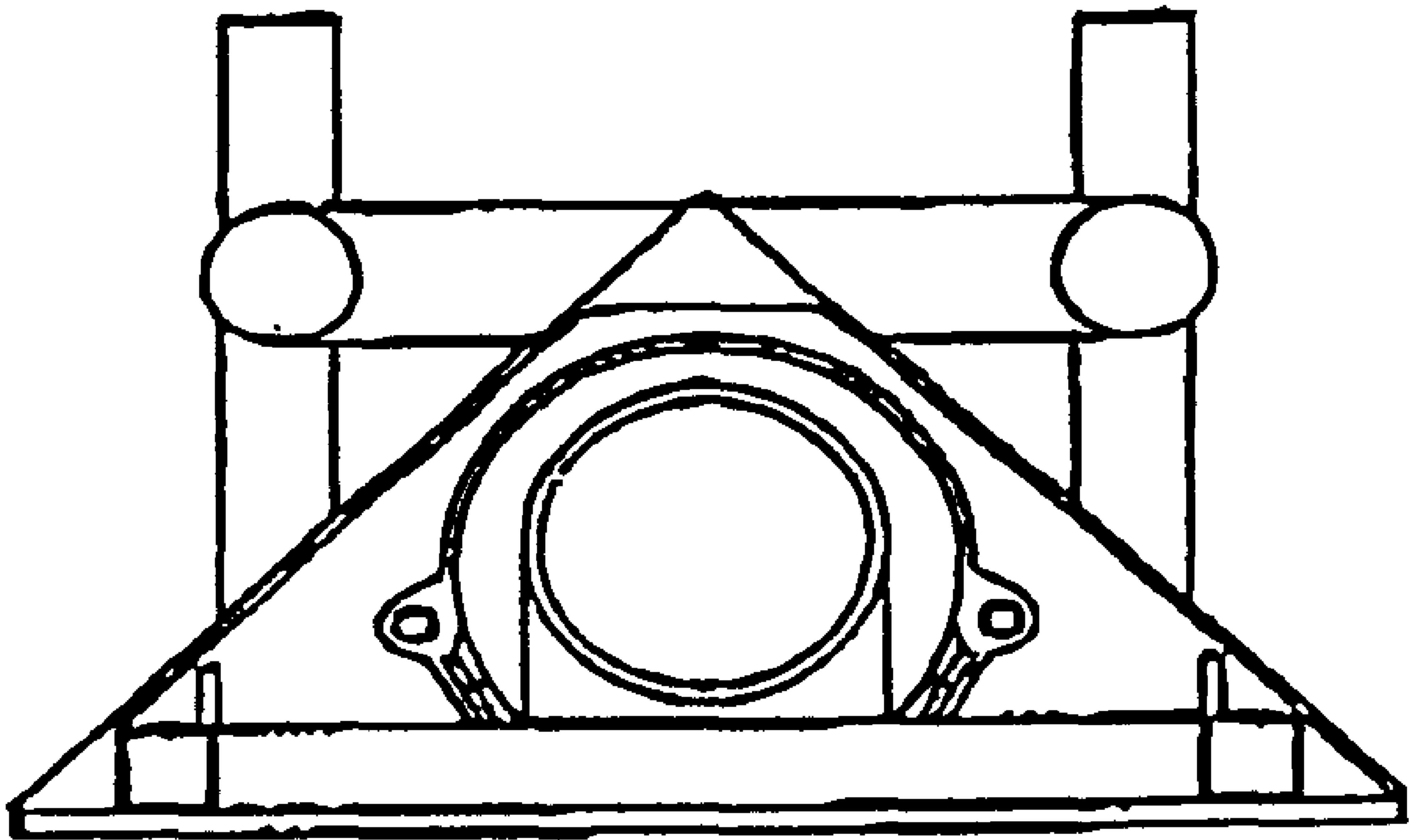


Fig. 6

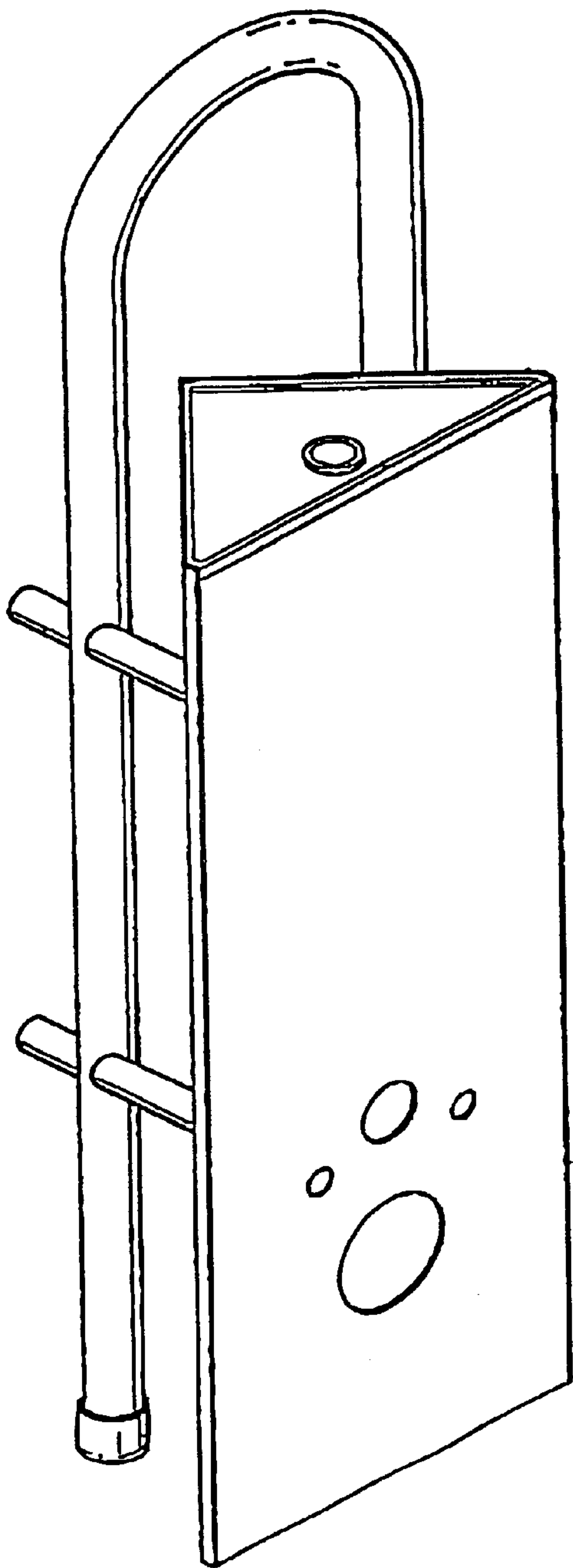


Fig. 7

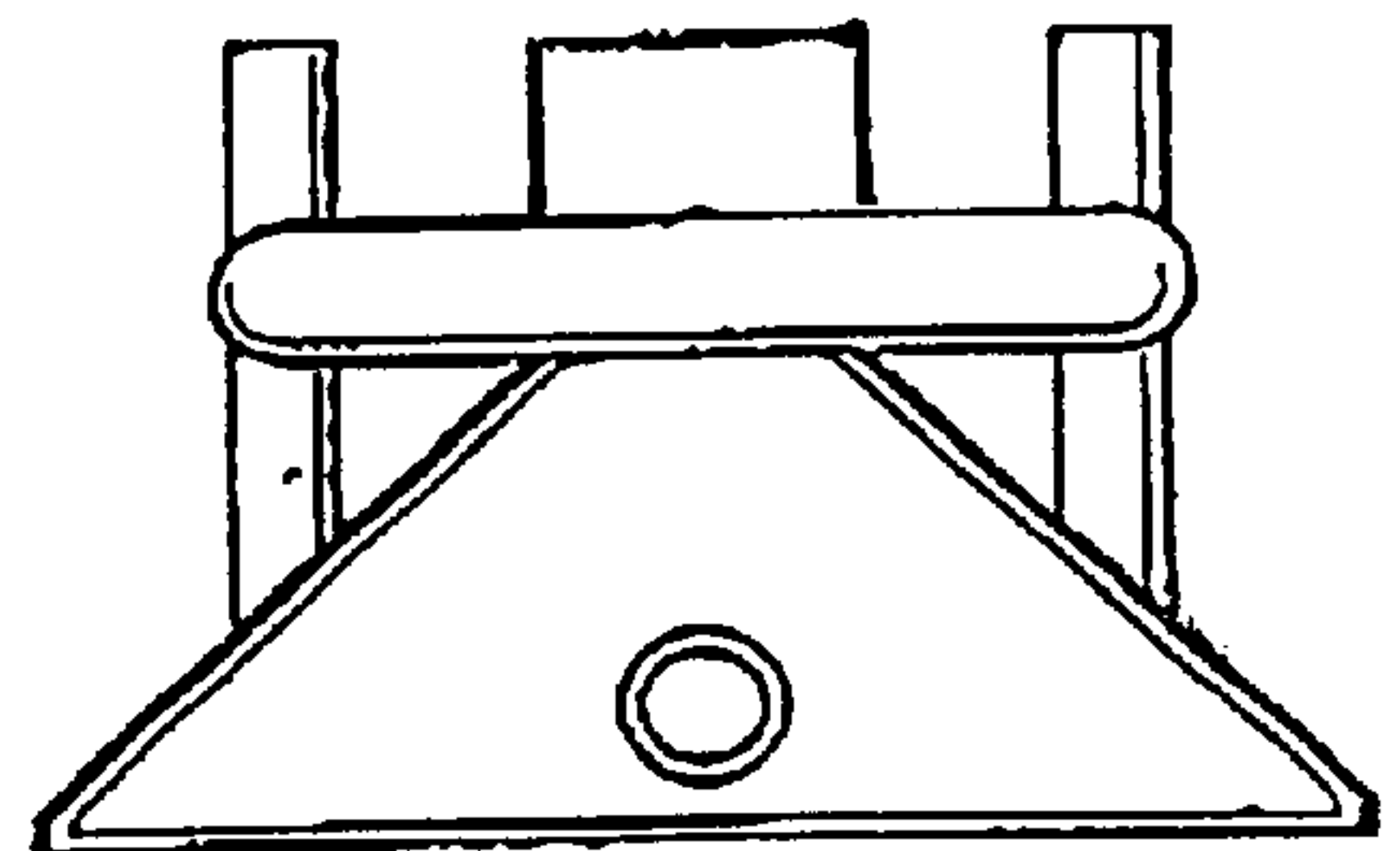


Fig. 8

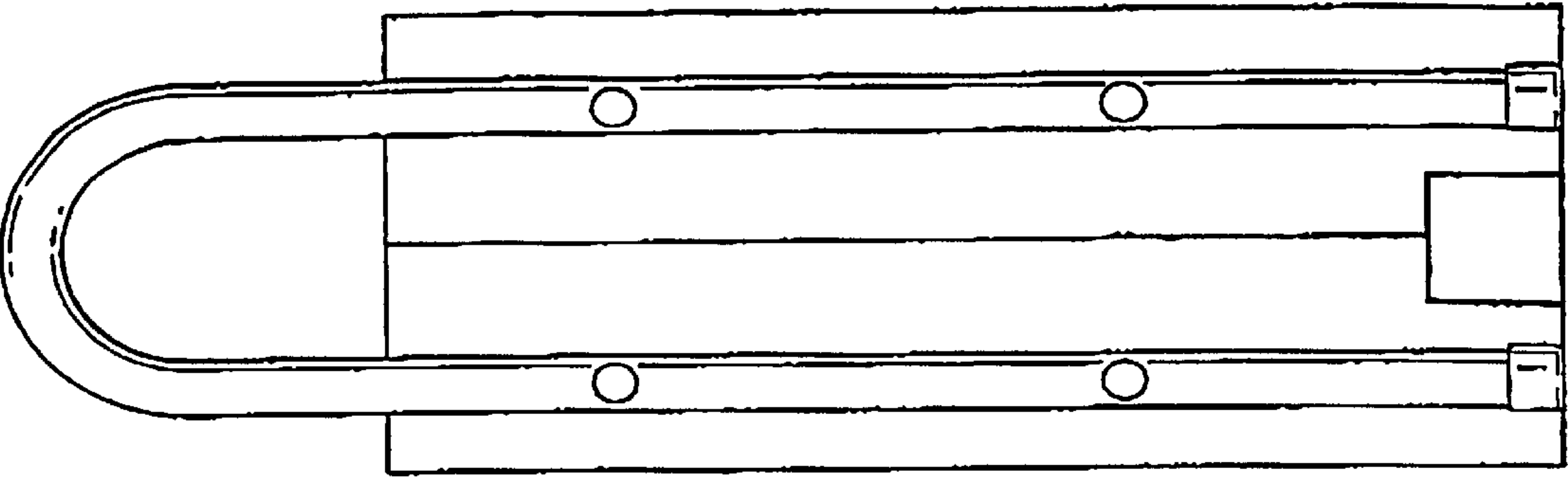


Fig. 11

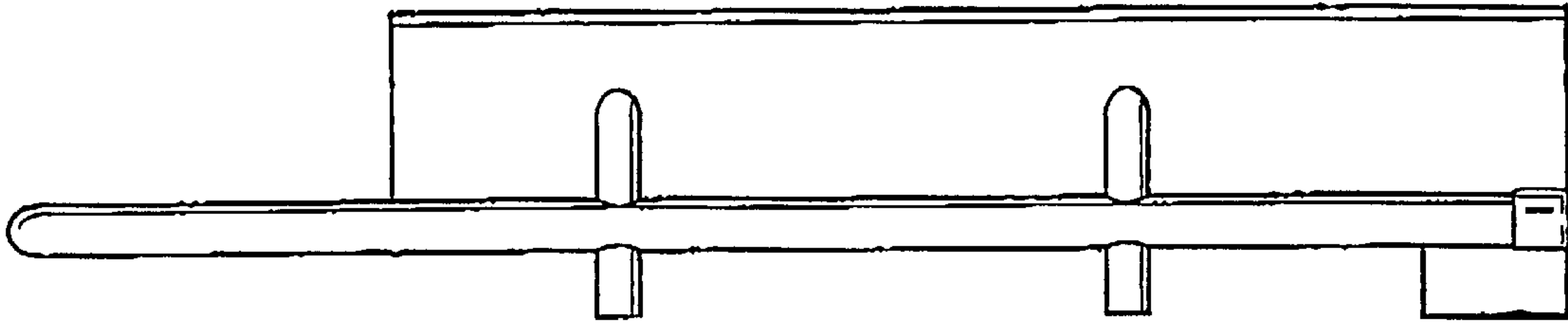


Fig. 10

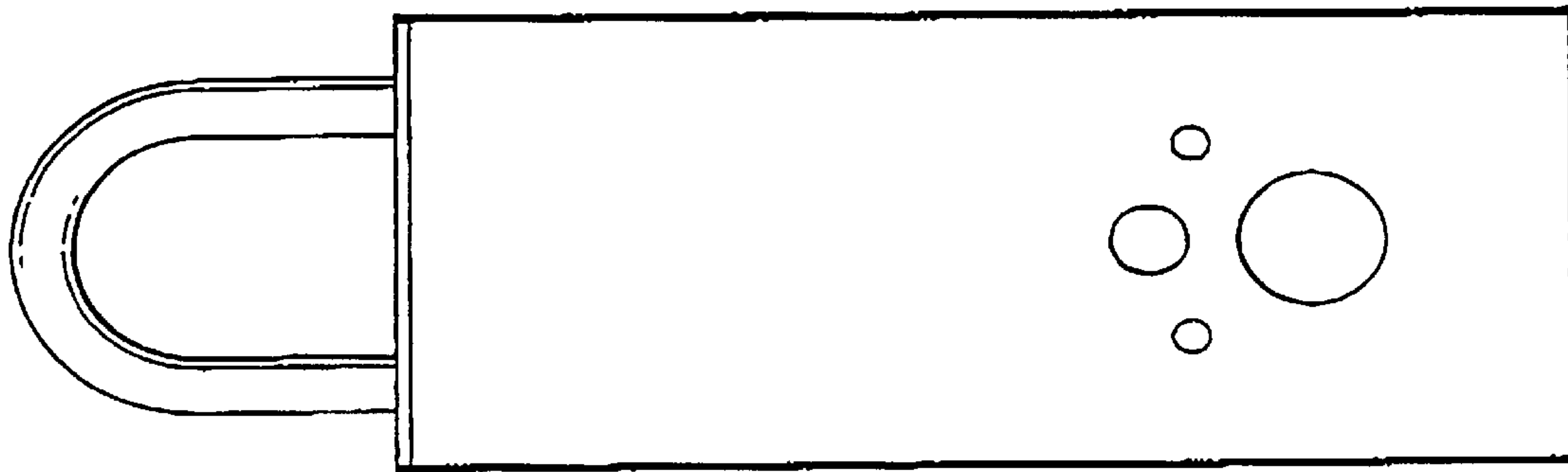


Fig. 9

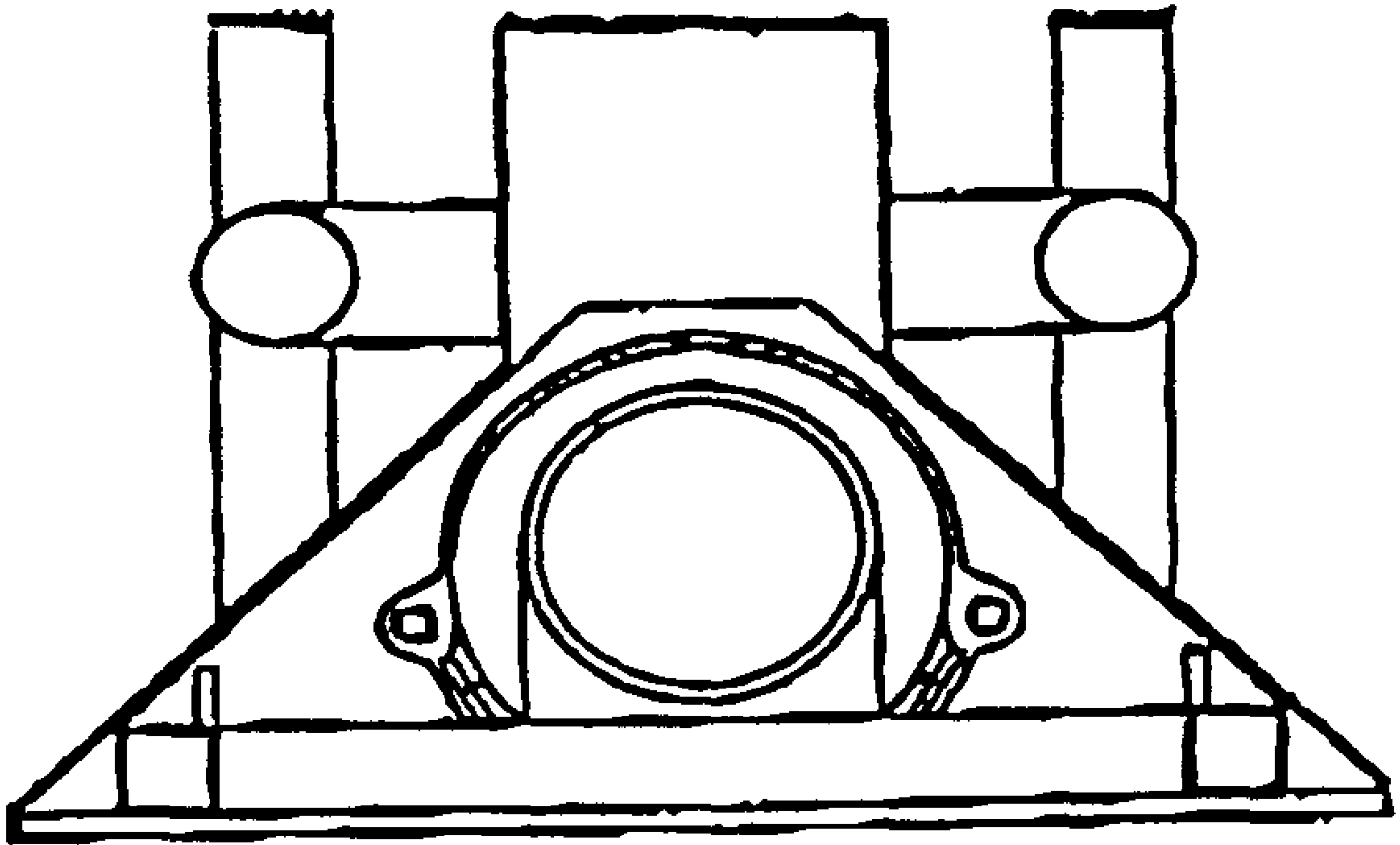


Fig. 12