



US00D486888S

(12) **United States Design Patent**  
**Lobermeier**

(10) **Patent No.:** **US D486,888 S**

(45) **Date of Patent:** **\*\* Feb. 17, 2004**

(54) **WALL-MOUNT SHOWER**

(75) **Inventor:** **Hans Lobermeier**, Menden (DE)

(73) **Assignee:** **Friedrich Grohe AG & Co. KG**,  
Hemer (DE)

(\*\*) **Term:** **14 Years**

(21) **Appl. No.:** **29/180,393**

(22) **Filed:** **Apr. 23, 2003**

(30) **Foreign Application Priority Data**

Nov. 15, 2002 (DE) ..... 4 02 09 498

(51) **LOC (7) Cl.** ..... **23-01**

(52) **U.S. Cl.** ..... **D23/229**

(58) **Field of Search** ..... D23/213, 229,  
D23/230; 239/282, 283

(56) **References Cited**

**U.S. PATENT DOCUMENTS**

D94,146 S \* 12/1934 Isenberg ..... D23/213  
D263,867 S \* 4/1982 Thompson ..... D23/213

D333,338 S \* 2/1993 Klose ..... D23/213  
D410,732 S \* 6/1999 Gottwald ..... D23/229  
D453,369 S \* 2/2002 Lobermeier ..... D23/213

\* cited by examiner

*Primary Examiner*—Robin V. Taylor

(74) *Attorney, Agent, or Firm*—Herbert Dubno

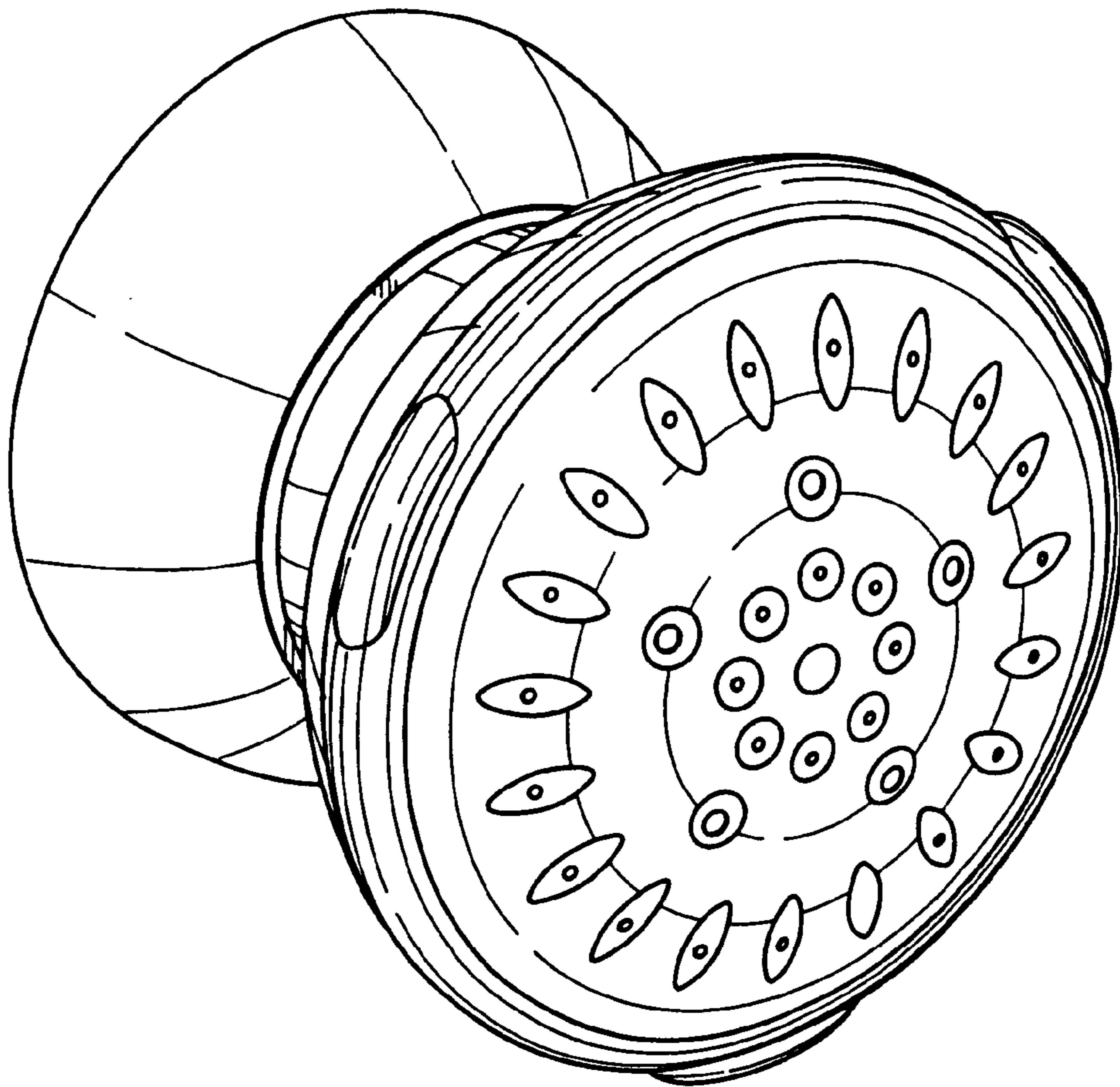
(57) **CLAIM**

The ornamental design for a wall-mount shower, as shown and described.

**DESCRIPTION**

FIG. 1 is a top, front, left-side perspective view of a wall-mount shower showing my new design;  
FIG. 2 is a right side elevational view thereof, the left side elevational view being mirror symmetrical thereto;  
FIG. 3 is a top plan view thereof;  
FIG. 4 is a front elevational view thereof;  
FIG. 5 is a bottom plan view thereof; and,  
FIG. 6 is a rear elevational view thereof, (the rear view being invisible in use of the wall-mount shower).

**1 Claim, 2 Drawing Sheets**



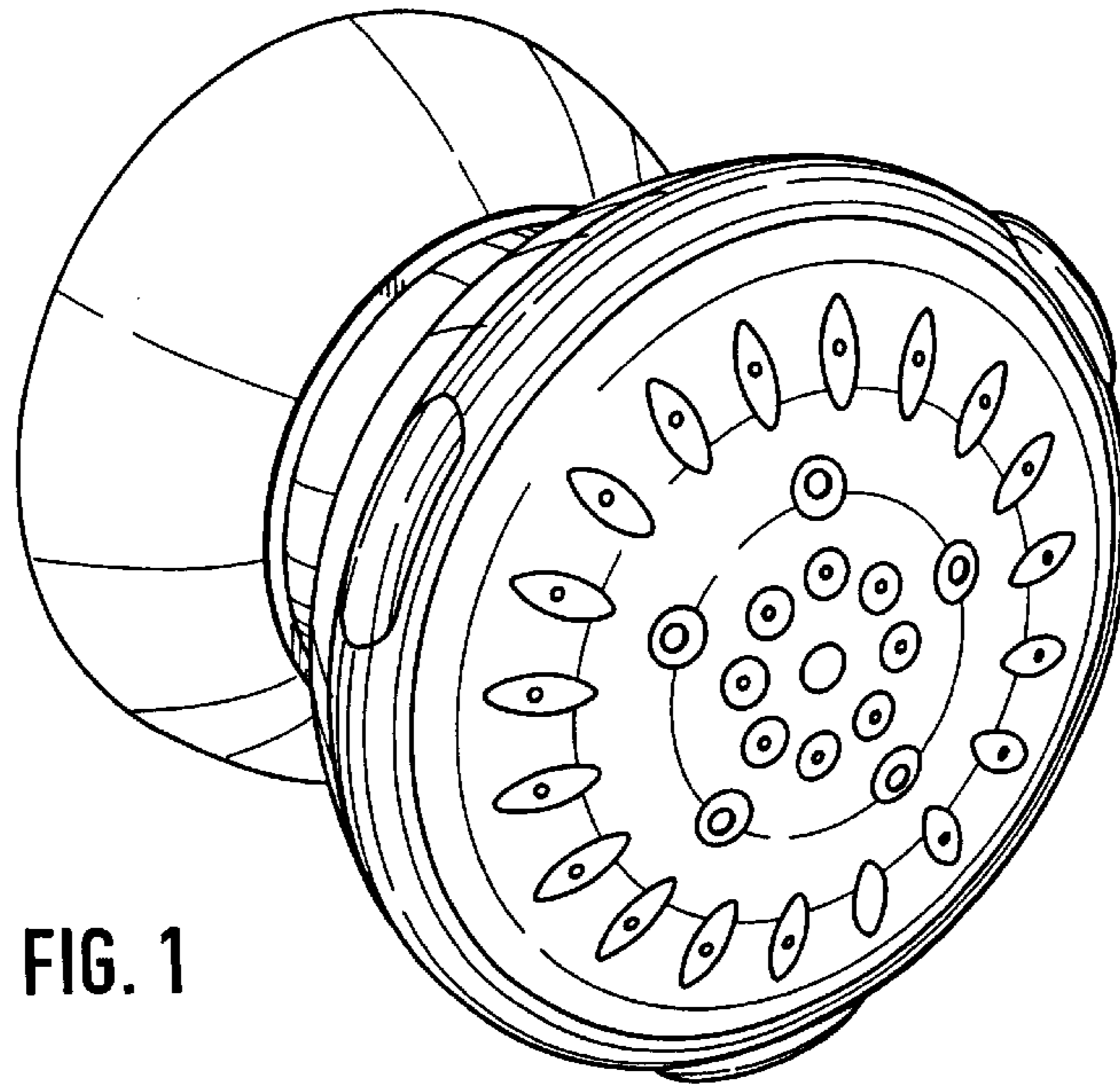


FIG. 1

FIG. 2

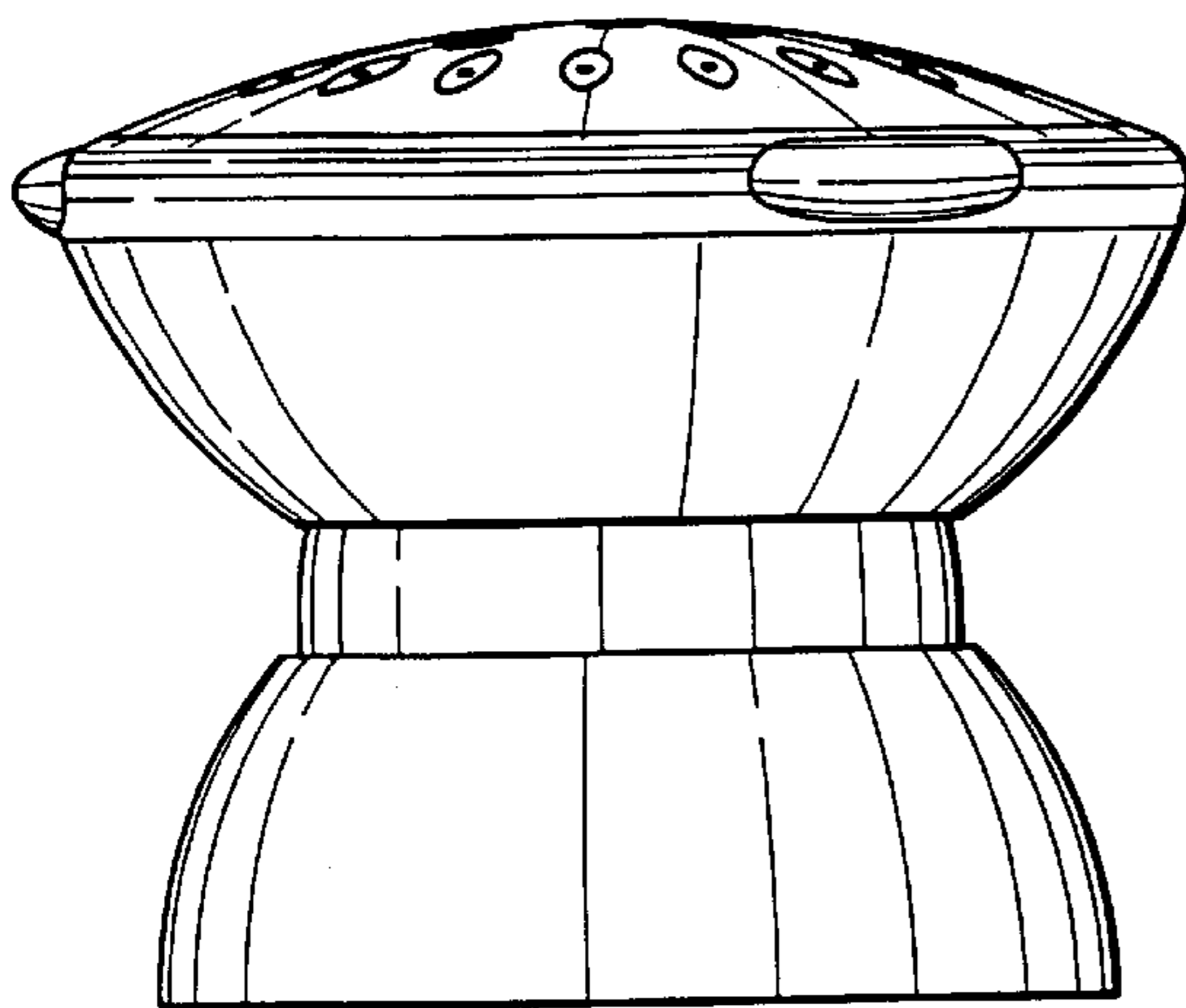


FIG. 3

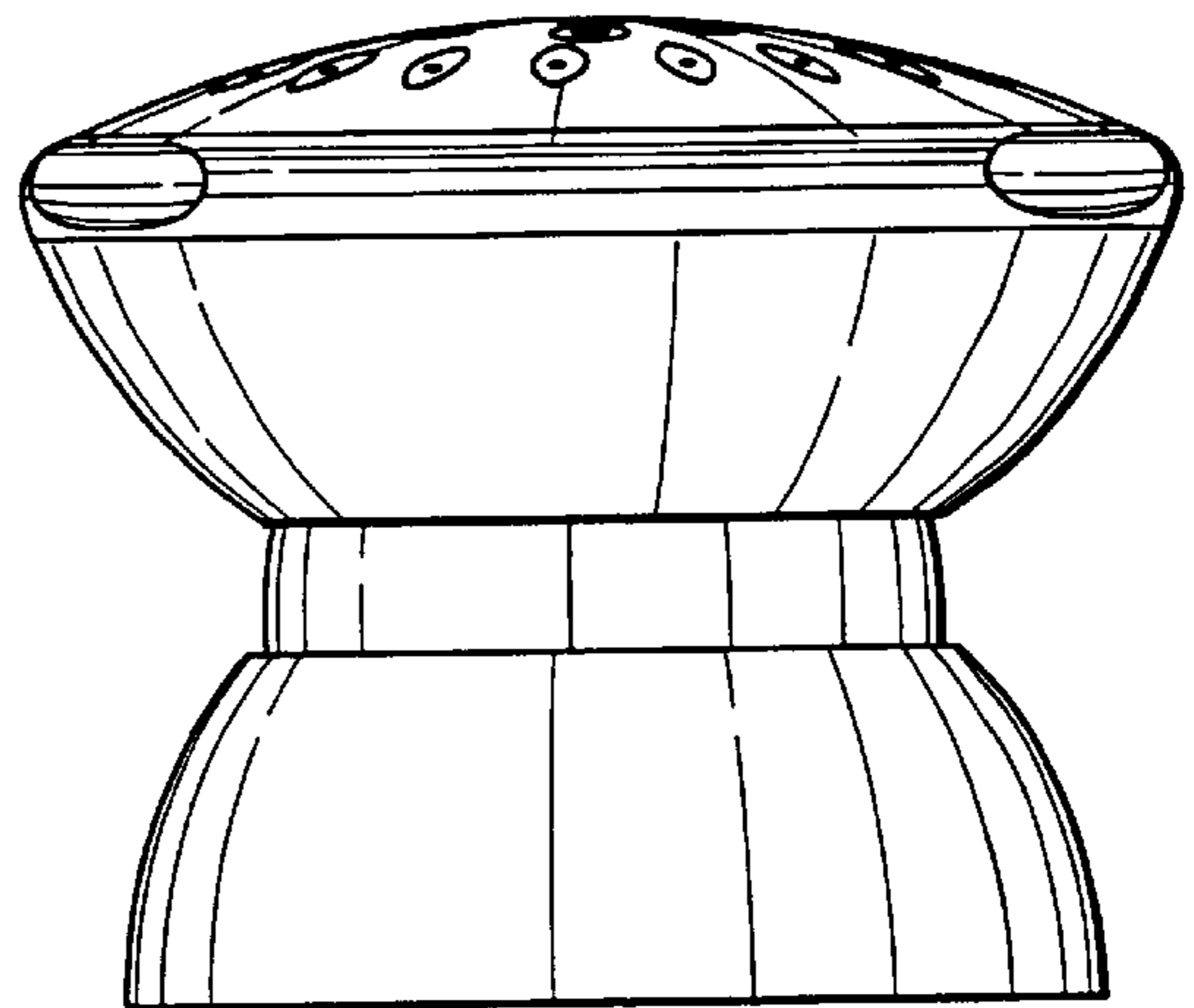


FIG. 4

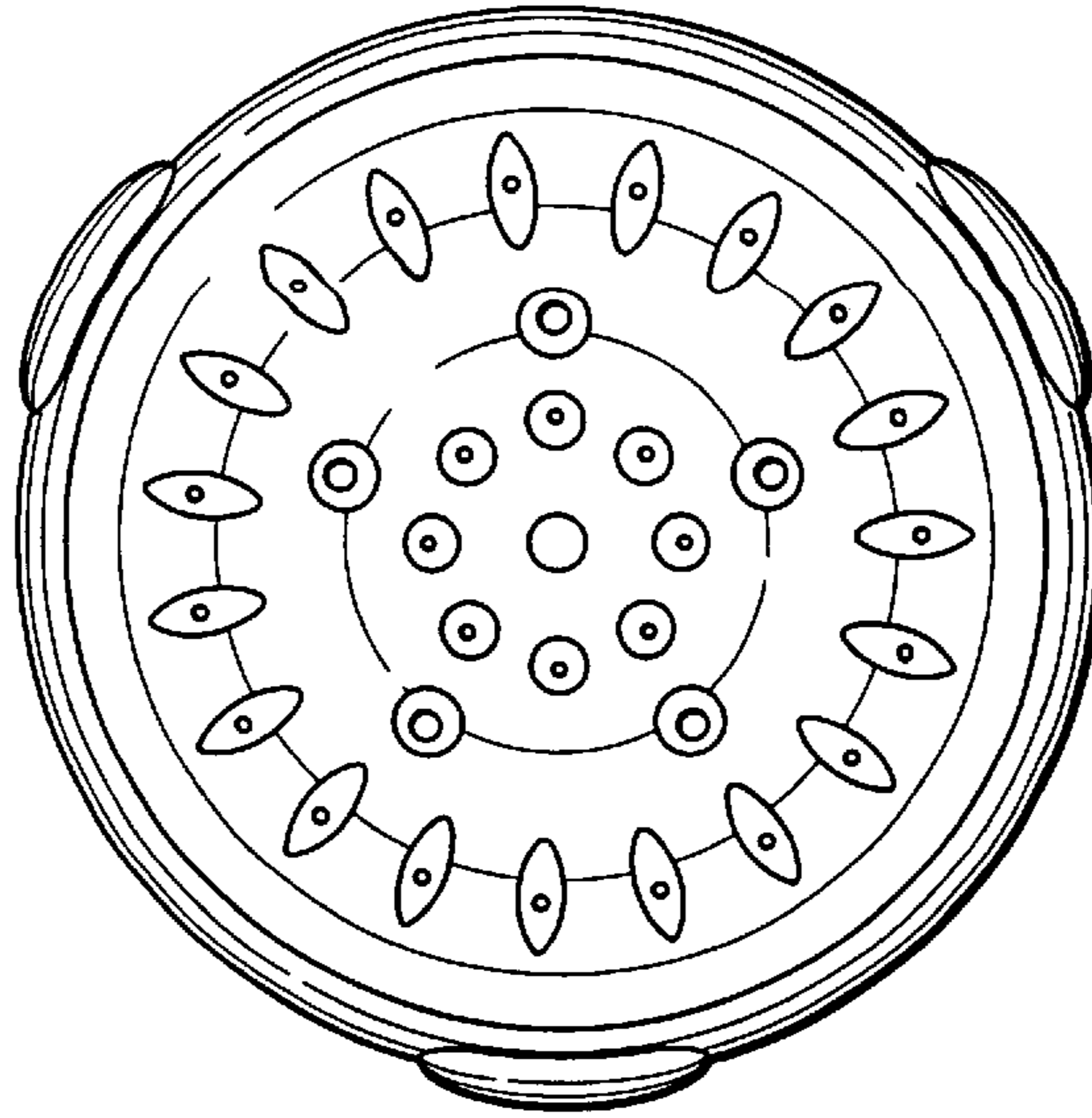


FIG. 5

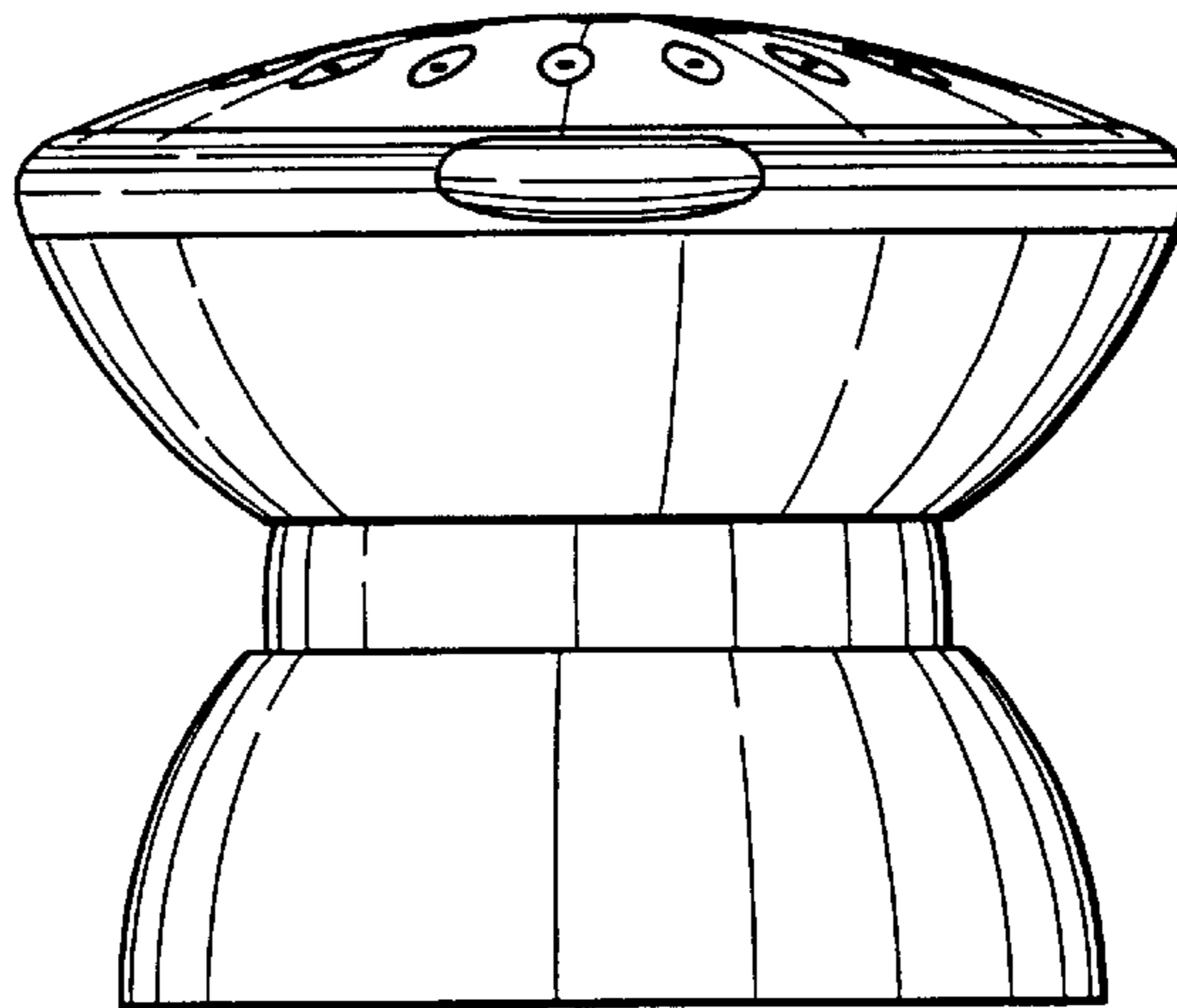


FIG. 6

