



US00D486887S

(12) **United States Design Patent**
Graves et al.

(10) **Patent No.:** **US D486,887 S**

(45) **Date of Patent:** **** Feb. 17, 2004**

(54) **SHOWER HEAD**

D269,118 S * 5/1983 Thompson D23/230
D385,335 S * 10/1997 Caroen et al. D23/230

(75) Inventors: **Michael Graves**, Princeton, NJ (US);
Donald Strum, Princeton, NJ (US);
William Harrington, Princeton, NJ
(US); **Scott Doty**, Cranbury, NJ (US)

* cited by examiner

Primary Examiner—Robin V. Taylor
(74) *Attorney, Agent, or Firm*—Kwadjo Adusei-Poku;
Lloyd D. Doigan

(73) Assignee: **Masco Corporation of Indiana**,
Indianapolis, IN (US)

(57) **CLAIM**

(**) Term: **14 Years**

The ornamental design for a shower head, as shown and described.

(21) Appl. No.: **29/180,382**

DESCRIPTION

(22) Filed: **Apr. 23, 2003**

(51) **LOC (7) Cl.** **23-01**

(52) **U.S. Cl.** **D23/229**

(58) **Field of Search** D23/213, 229,
D23/230; 239/282, 283

FIG. 1 is a front perspective view of a shower head showing our new design;

FIG. 2 is a rear perspective view thereof;

FIG. 3 is a left side elevational view thereof;

FIG. 4 is a right side elevational view thereof;

FIG. 5 is a front elevational view thereof; and,

FIG. 6 is a bottom plan view thereof.

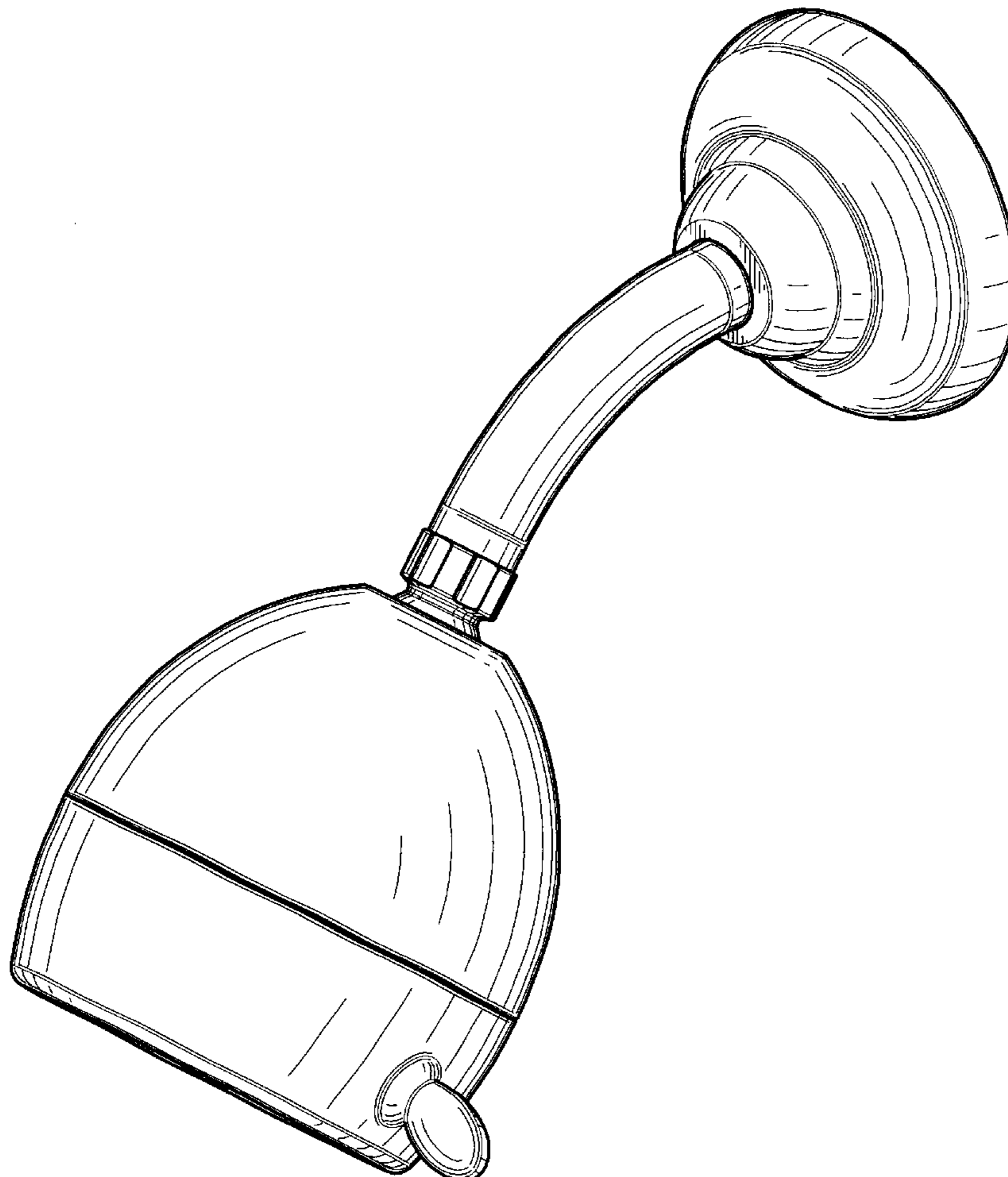
The broken lines showing in FIGS. 5 and 6 is for illustrative purposes only and forms no part of the claimed design.

(56) **References Cited**

U.S. PATENT DOCUMENTS

D77,442 S * 1/1929 Smith D23/213
D91,825 S * 3/1934 Isenberg D23/213

1 Claim, 6 Drawing Sheets



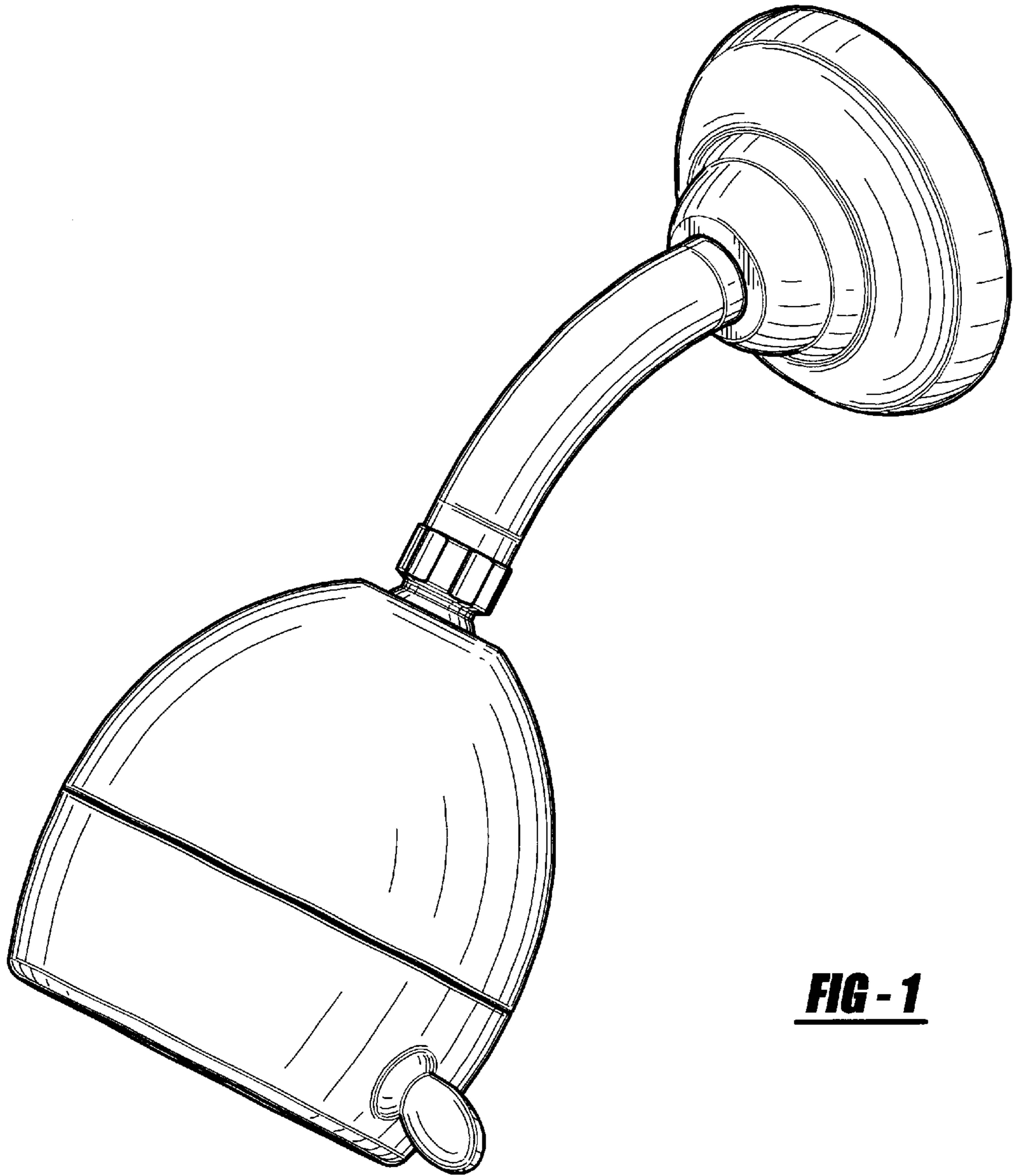


FIG - 1

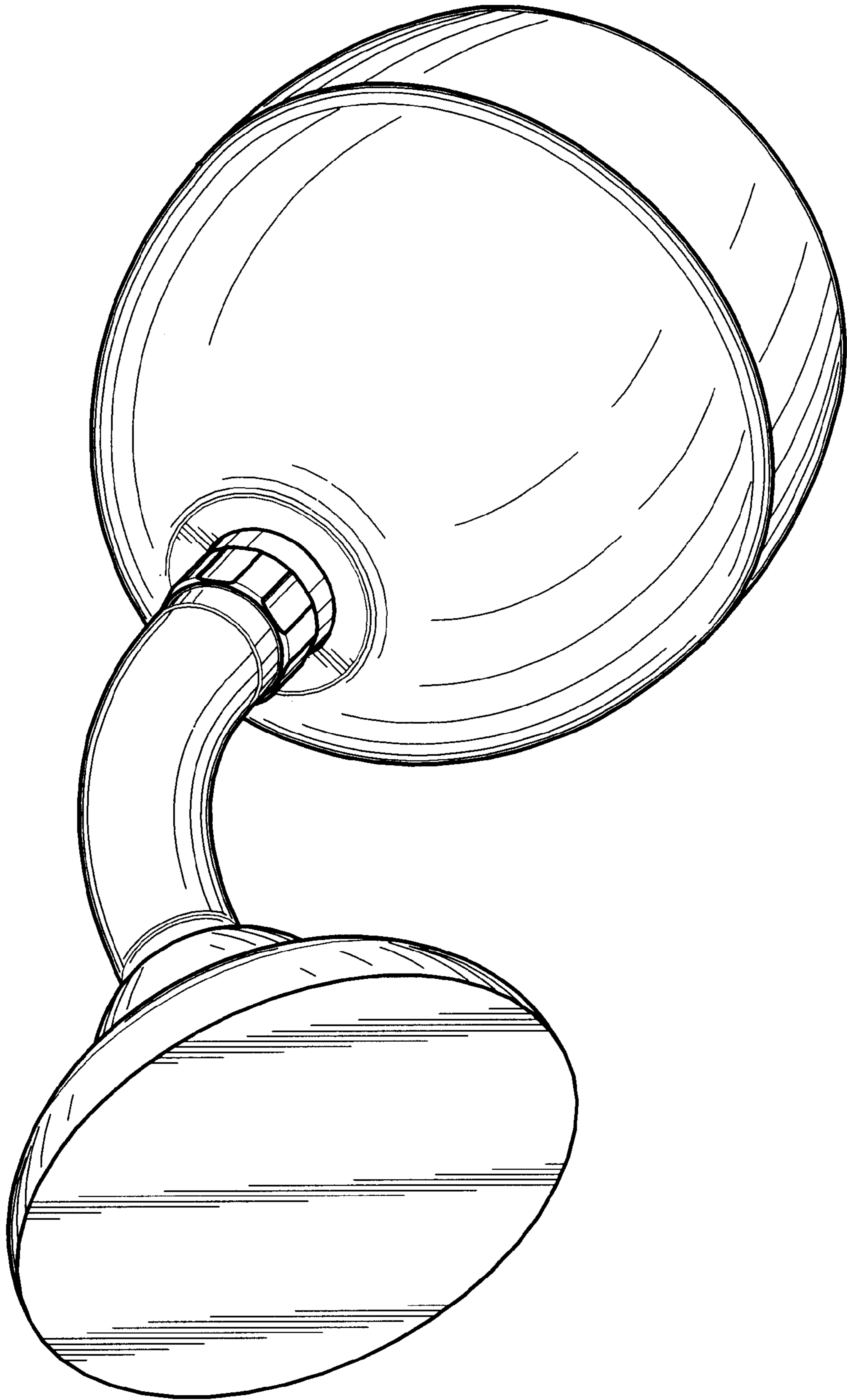


FIG - 2

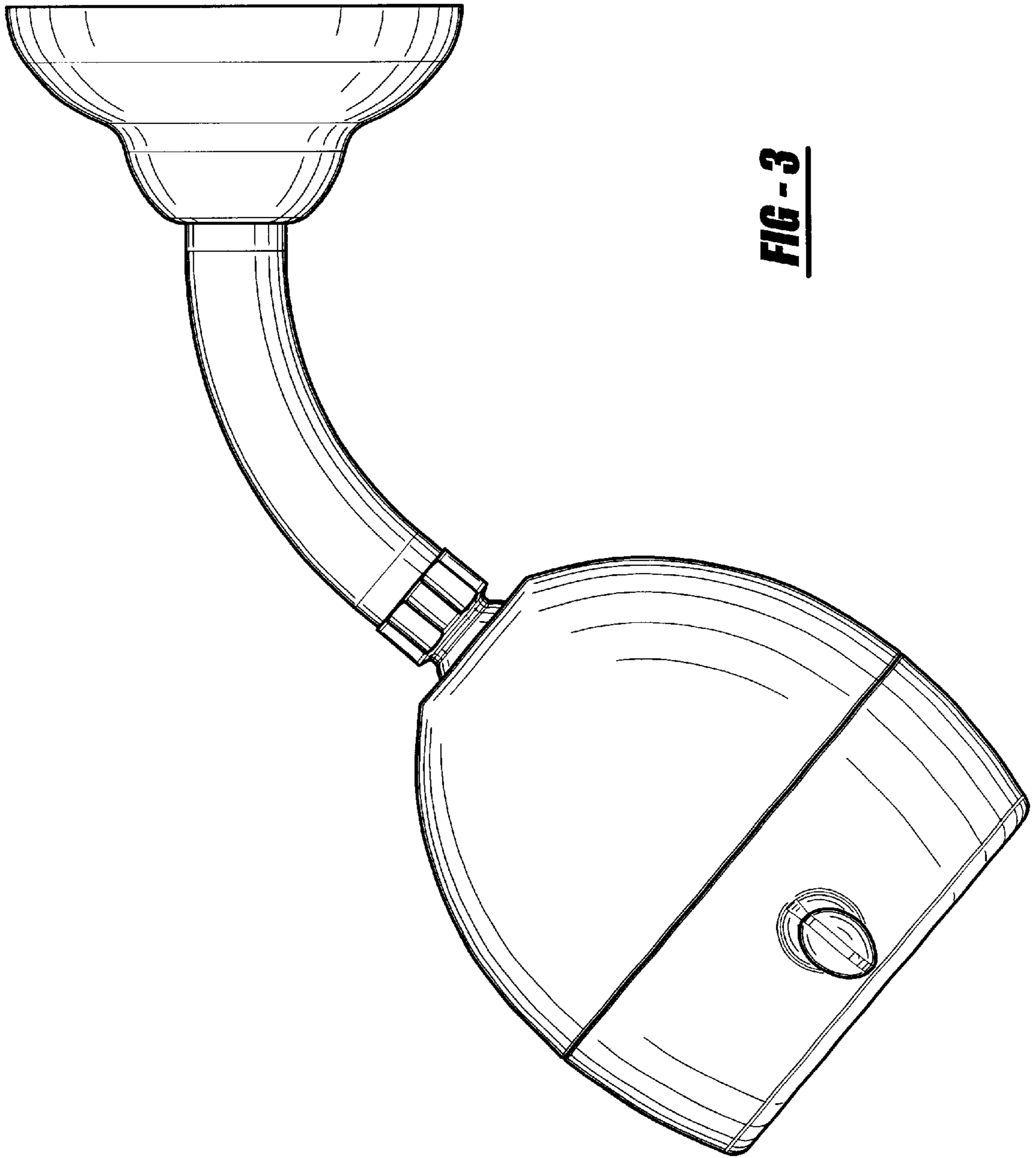


FIG - 3

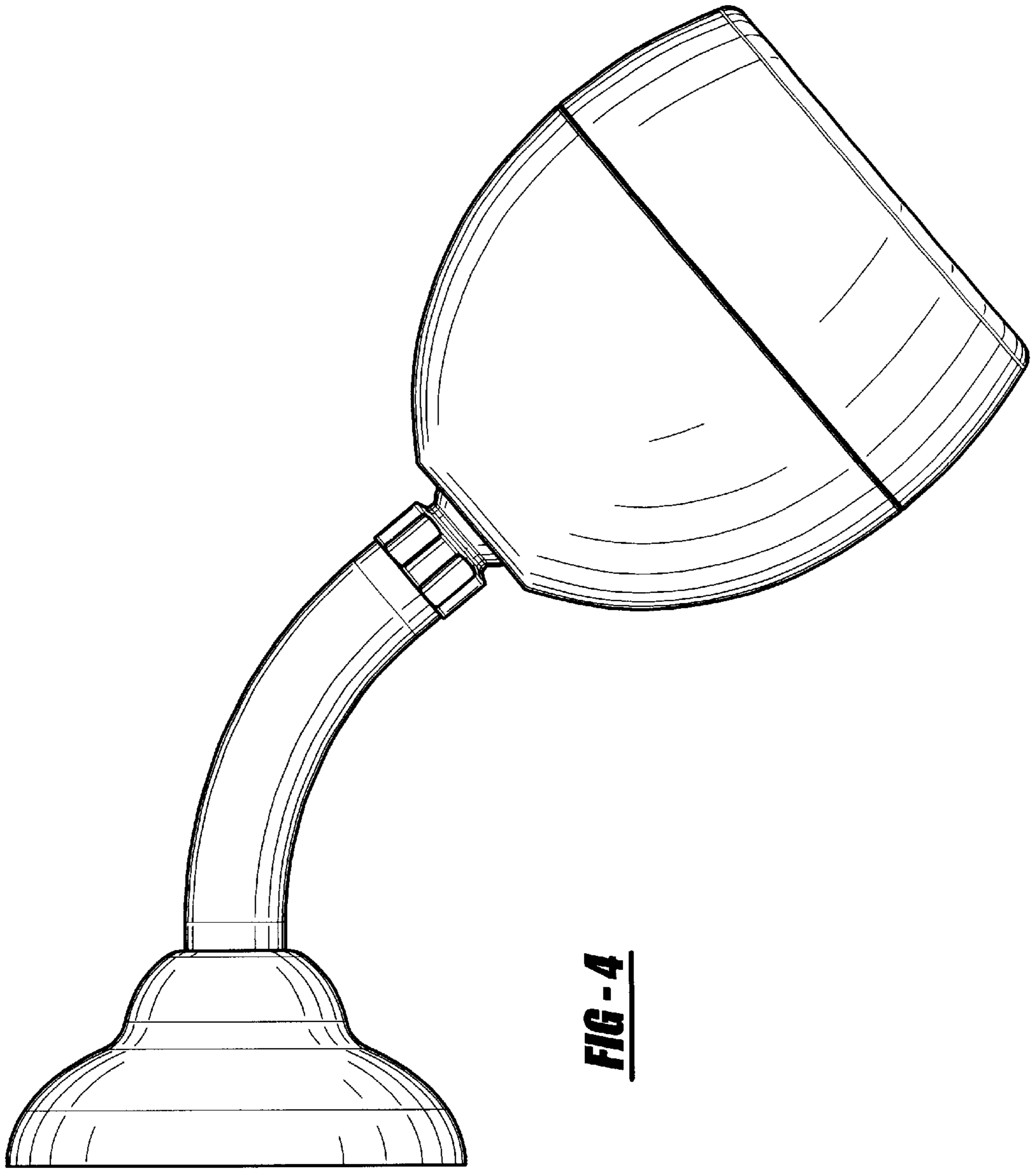
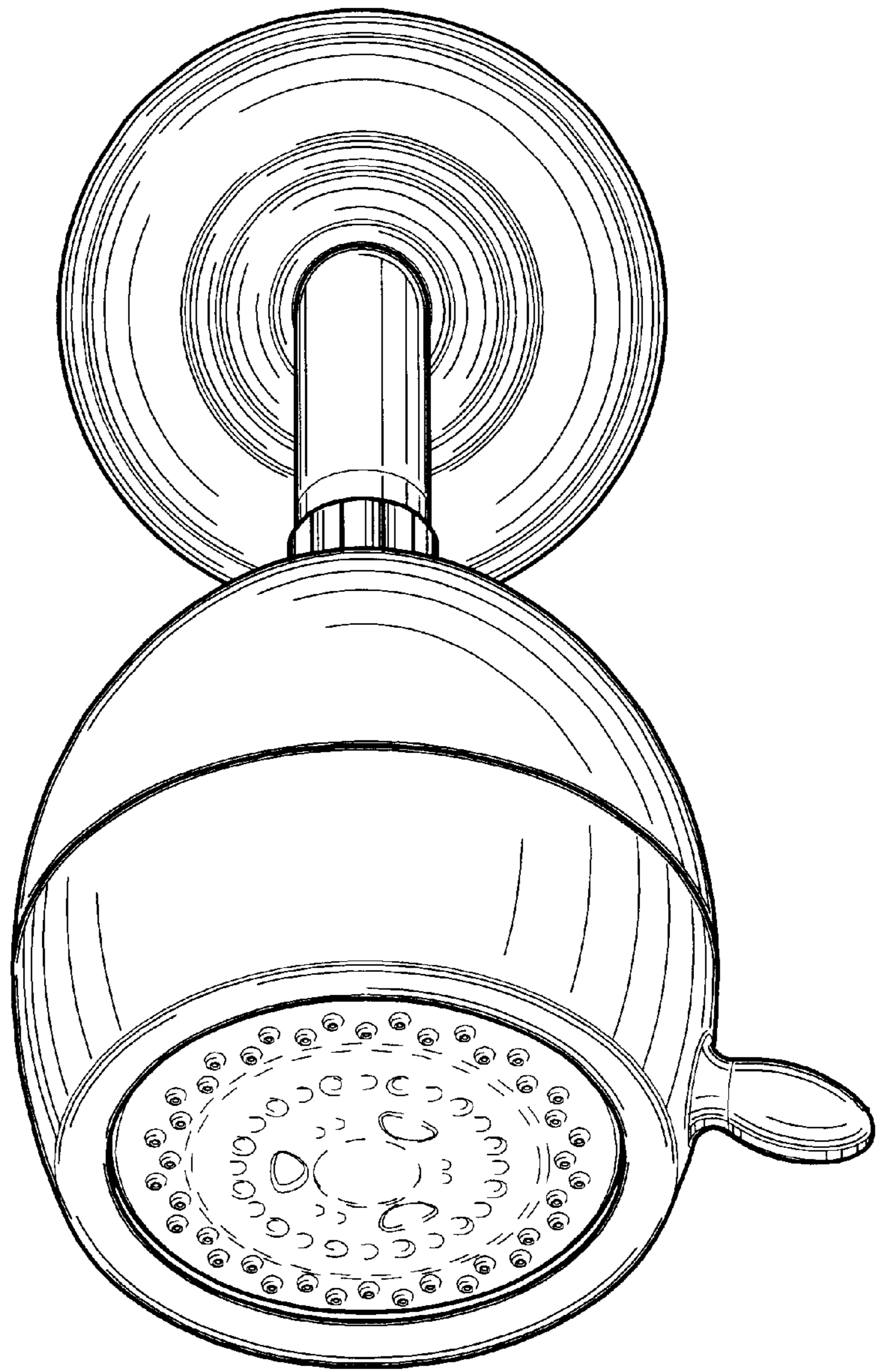


FIG - 4

FIG - 5



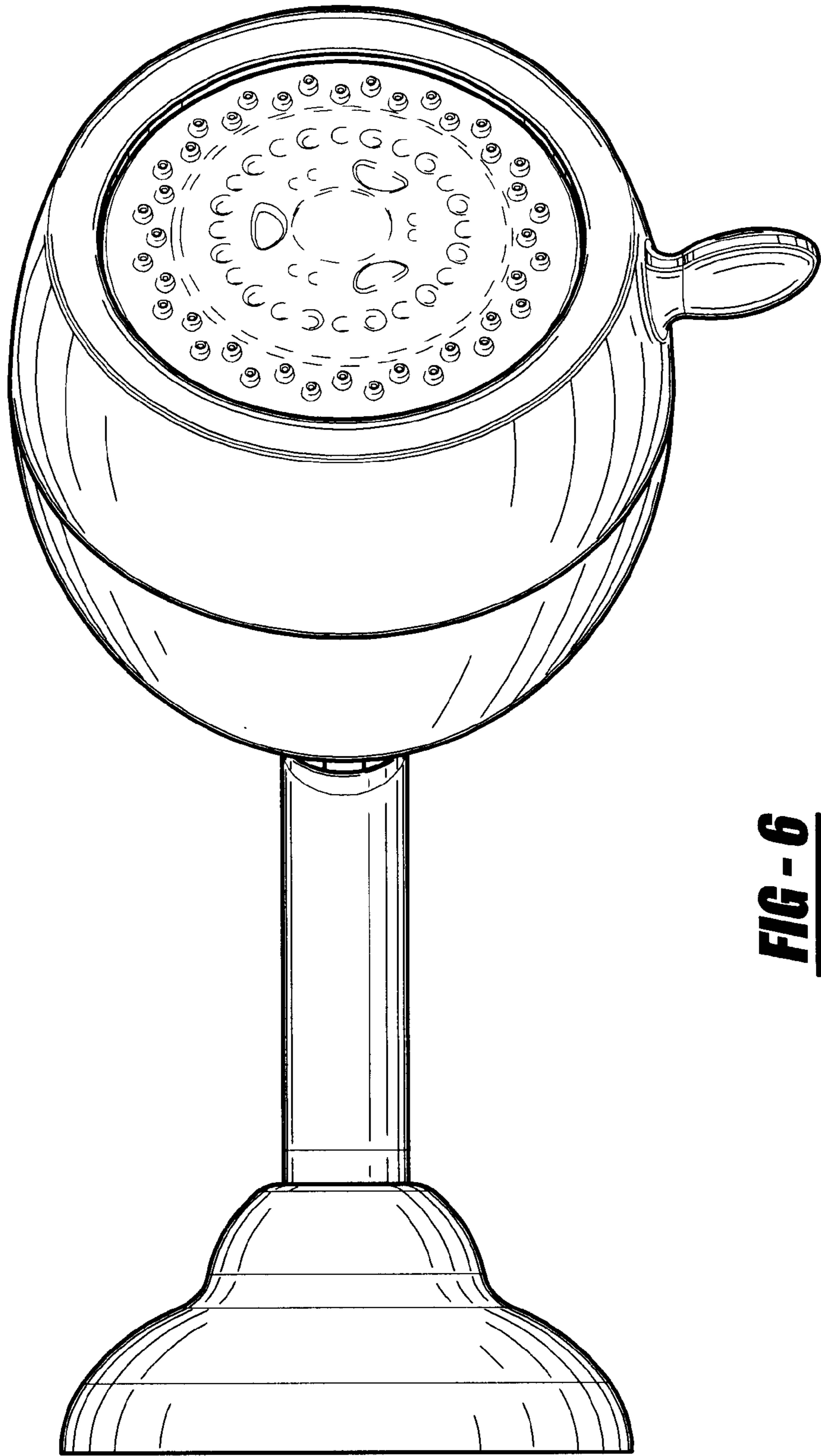


FIG - 6