



US00D486884S

(12) **United States Design Patent**  
**Gregory et al.**

(10) **Patent No.:** **US D486,884 S**

(45) **Date of Patent:** **\*\* Feb. 17, 2004**

(54) **IRRIGATION SPRINKLER NOZZLE  
CARRIER TREE**

(75) Inventors: **Christian T. Gregory**, La Crescenta,  
CA (US); **David Robertson**, Glendora,  
CA (US)

(73) Assignee: **Rain Bird Corporation**, Glendora, CA  
(US)

(\*\*) Term: **14 Years**

(21) Appl. No.: **29/180,404**

(22) Filed: **Apr. 22, 2003**

(51) **LOC (7) Cl.** ..... **23-01**

(52) **U.S. Cl.** ..... **D23/214; D9/341**

(58) **Field of Search** ..... **D23/213, 214;**  
**239/289; D9/341, 343**

(56) **References Cited**

**U.S. PATENT DOCUMENTS**

D351,555 S	*	10/1994	Blott	.....	D9/343
D418,406 S	*	1/2000	Liao	.....	D9/415
D433,939 S	*	11/2000	Humphrey	.....	D9/418
6,234,411 B1	*	5/2001	Walker et al.	.....	239/289

\* cited by examiner

*Primary Examiner*—Robin V. Taylor  
(74) *Attorney, Agent, or Firm*—John D. Bauersfeld; Kelly  
Bauersfeld Lowry & Kelley, LLP

(57) **CLAIM**

The ornamental design for an irrigation sprinkler nozzle  
carrier tree, as shown.

**DESCRIPTION**

FIG. 1 is a top perspective view of a irrigation sprinkler  
nozzle carrier tree embodying the new design;

FIG. 2 is a top plan view of the irrigation sprinkler nozzle  
carrier tree of FIG. 1;

FIG. 3 is a bottom plan view of the irrigation sprinkler  
nozzle carrier tree of FIG. 1;

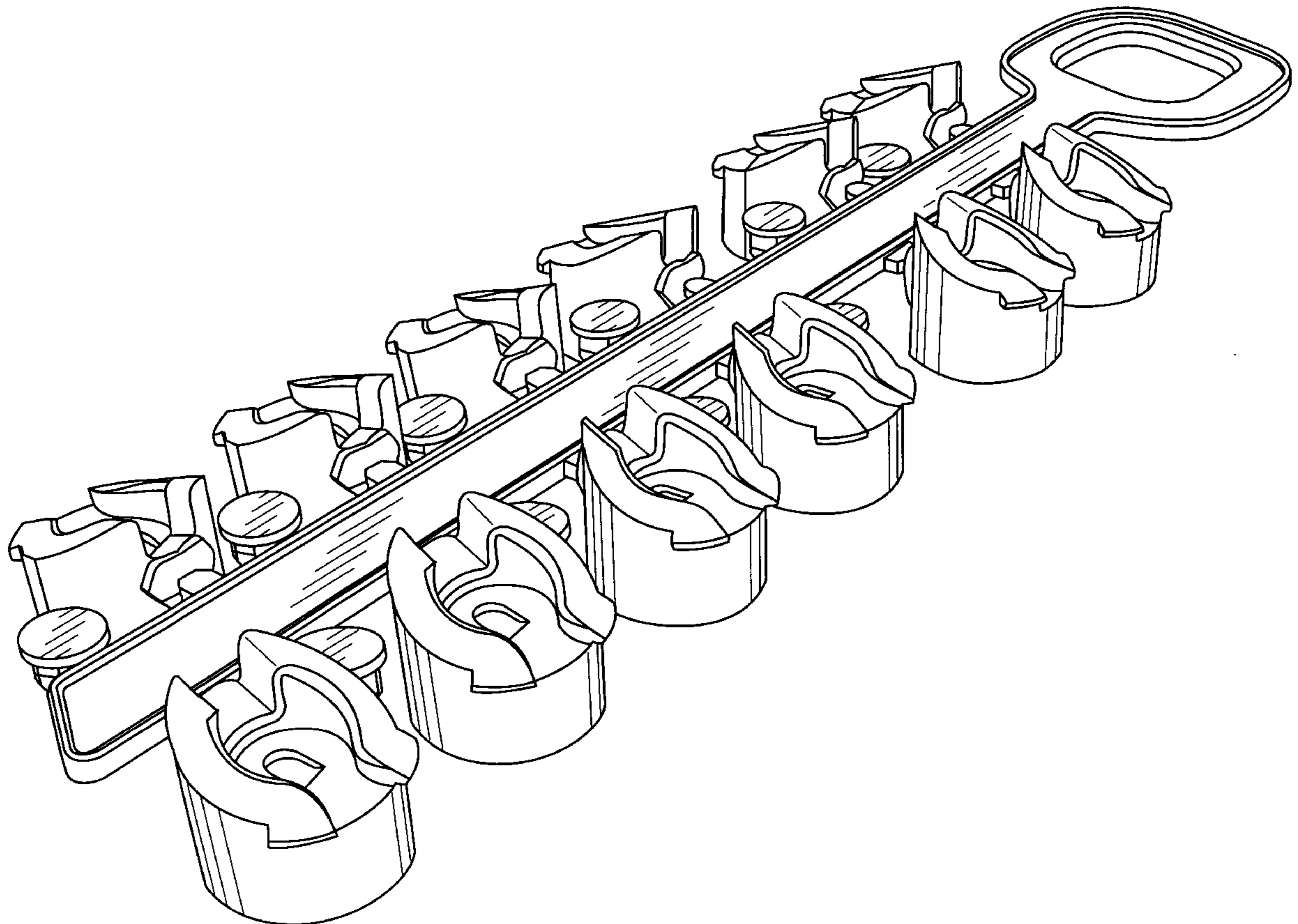
FIG. 4 is a left side elevational view of the irrigation  
sprinkler nozzle carrier tree of FIG. 1;

FIG. 5 is a right side elevational view of the irrigation  
sprinkler nozzle carrier tree of FIG. 1;

FIG. 6 is a front elevational view of the irrigation sprinkler  
nozzle carrier tree of FIG. 1; and,

FIG. 7 is a rear elevational view of the irrigation sprinkler  
nozzle carrier tree of FIG. 1.

**1 Claim, 3 Drawing Sheets**



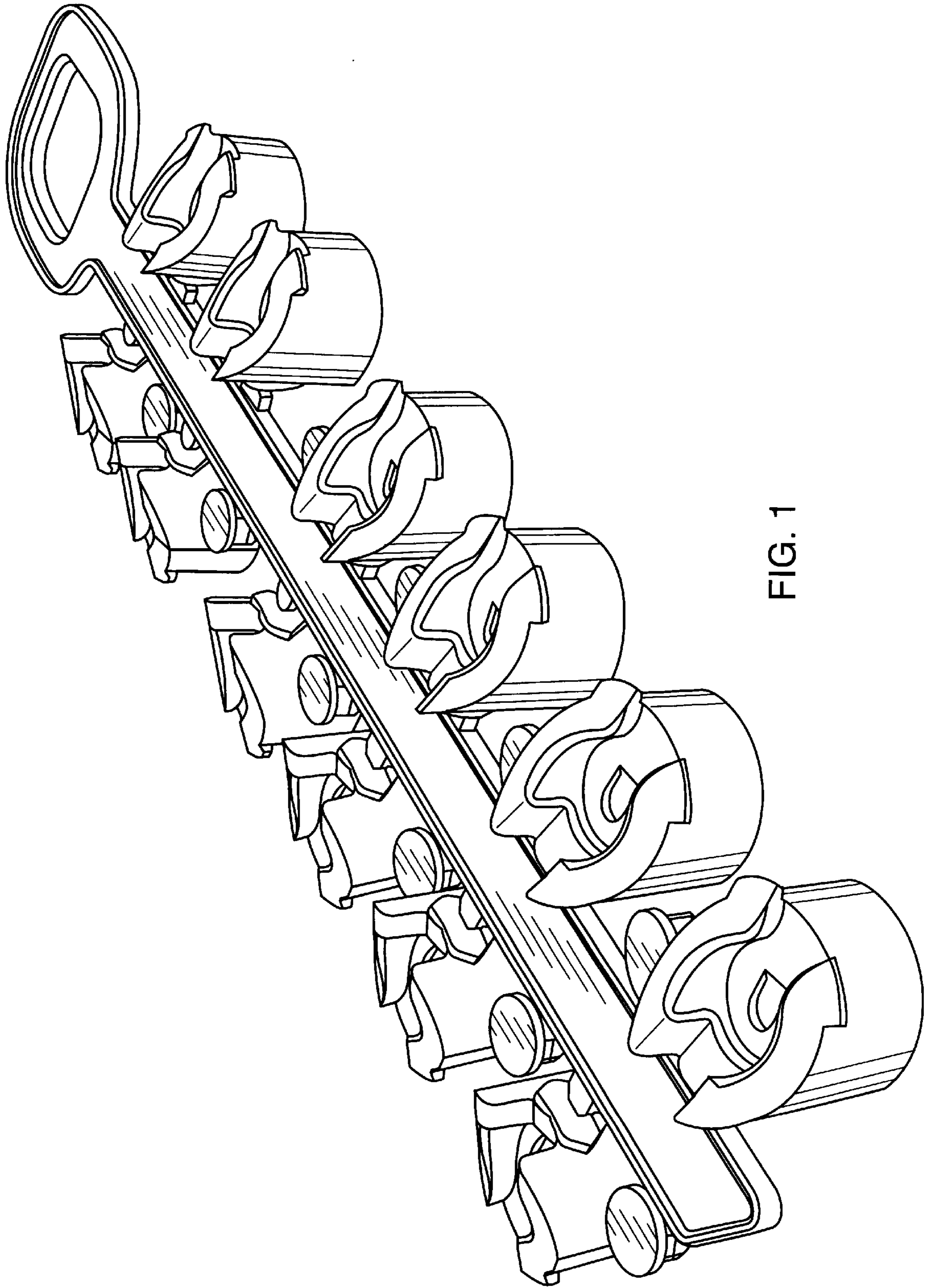


FIG. 1

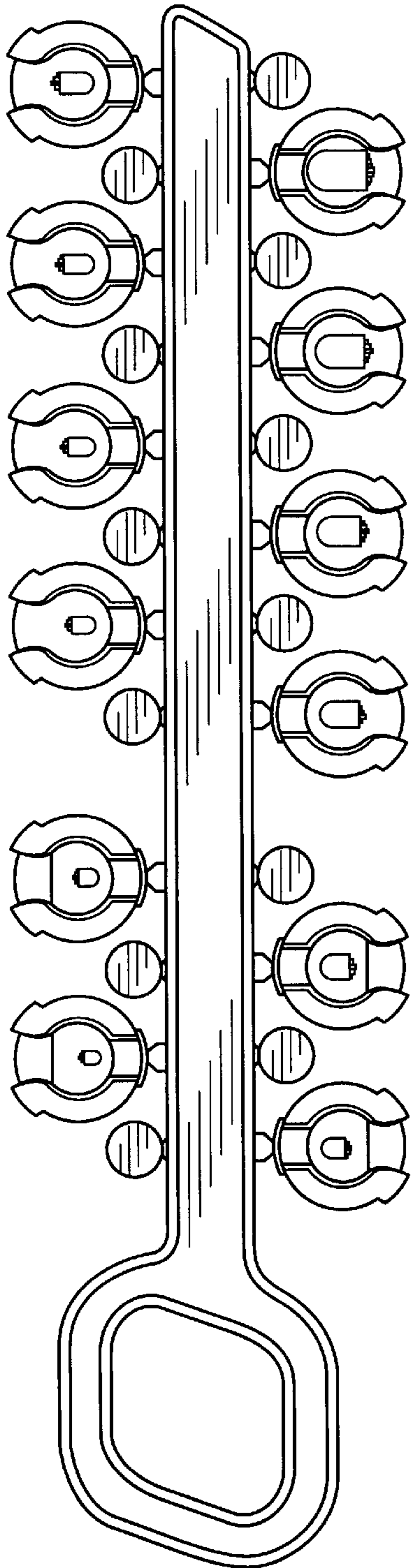


FIG. 2

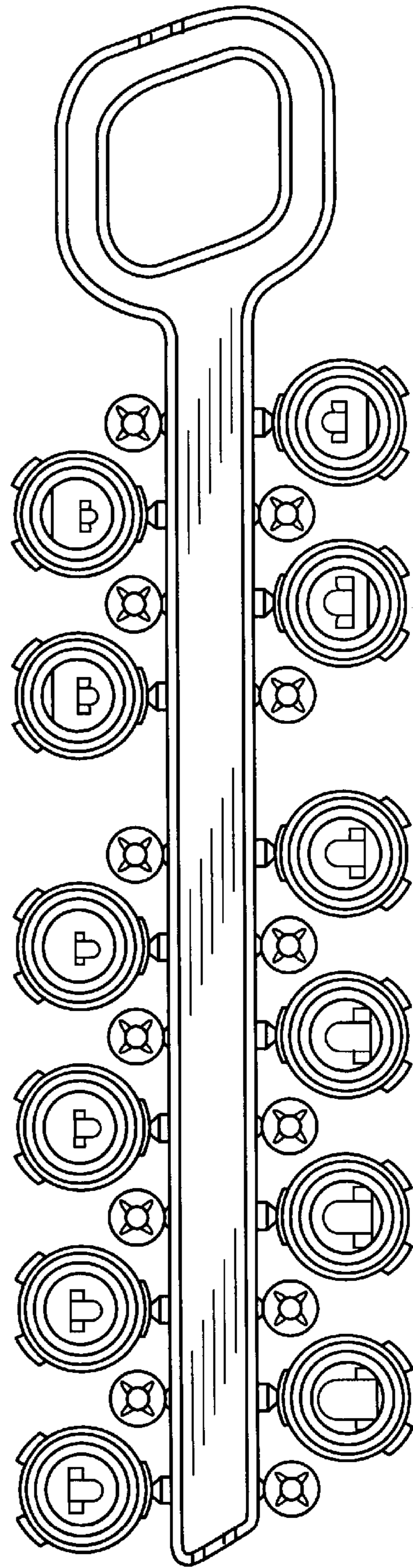


FIG. 3

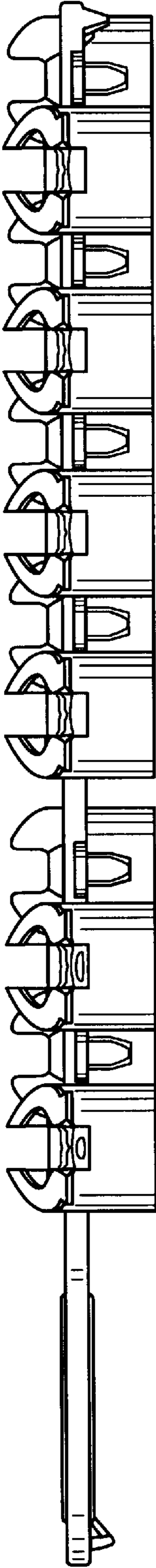


FIG. 4

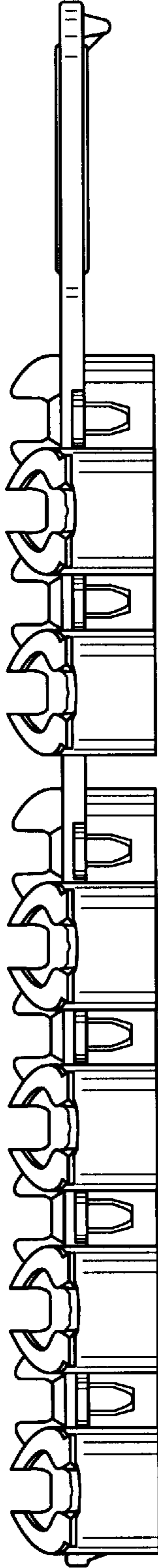


FIG. 5

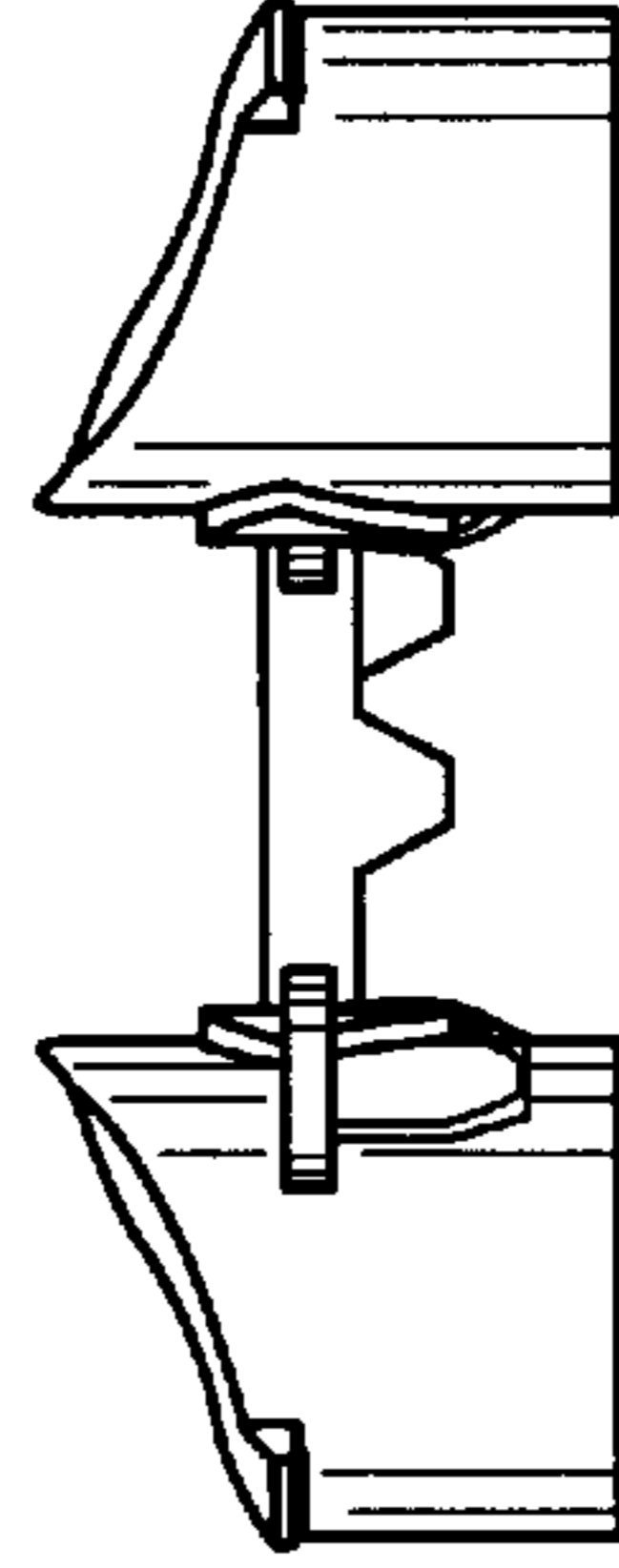


FIG. 6

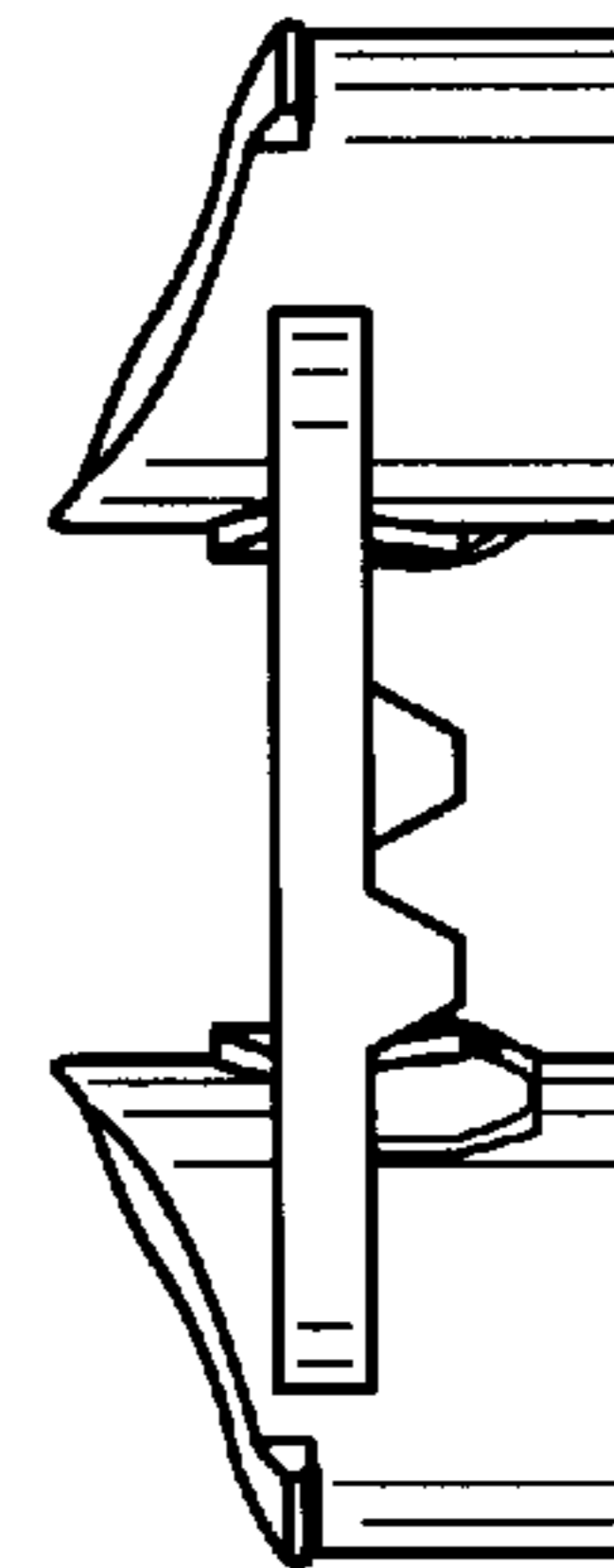


FIG. 7