



US00D486881S

(12) **United States Design Patent**
Pecci et al.

(10) **Patent No.:** **US D486,881 S**

(45) **Date of Patent:** **** Feb. 17, 2004**

(54) **CHLORINE DISPENSER**

(75) Inventors: **Gene L. Pecci**, Novato, CA (US);
Raymond G. Smith, Los Angeles, CA (US)

(73) Assignee: **Laars, Inc.**, Newport Beach, CA (US)

(**) Term: **14 Years**

(21) Appl. No.: **29/179,702**

(22) Filed: **Apr. 11, 2003**

(51) **LOC (7) Cl.** **23-01**

(52) **U.S. Cl.** **D23/207; D23/208**

(58) **Field of Search** **D23/207, 208, D23/209, 210; 422/265, 264, 263**

(56) **References Cited**

U.S. PATENT DOCUMENTS

D224,401	S	*	7/1972	Clinton	D23/207
3,792,979	A	*	2/1974	Clinton	422/265
4,217,331	A	*	8/1980	Schaub	422/265
4,473,533	A	*	9/1984	Davey	422/265
4,822,571	A	*	4/1989	Nicholson et al.	422/119

D309,493	S	*	7/1990	Casberg	D23/208
D371,824	S	*	7/1996	Price et al.	D23/208
6,238,553	B1	*	5/2001	Lin	210/94
D451,979	S	*	12/2001	VanErdeWyk	D23/208

* cited by examiner

Primary Examiner—Robin V. Taylor

(74) *Attorney, Agent, or Firm*—Buchanan Ingersoll, P.C.

(57) **CLAIM**

The ornamental design for a chlorine dispenser, as shown and described.

DESCRIPTION

FIG. 1 is a perspective view of a chlorine dispenser showing our new design;

FIG. 2 is a front elevational view thereof;

FIG. 3 is a rear elevational view thereof;

FIG. 4 is a right side elevational view thereof;

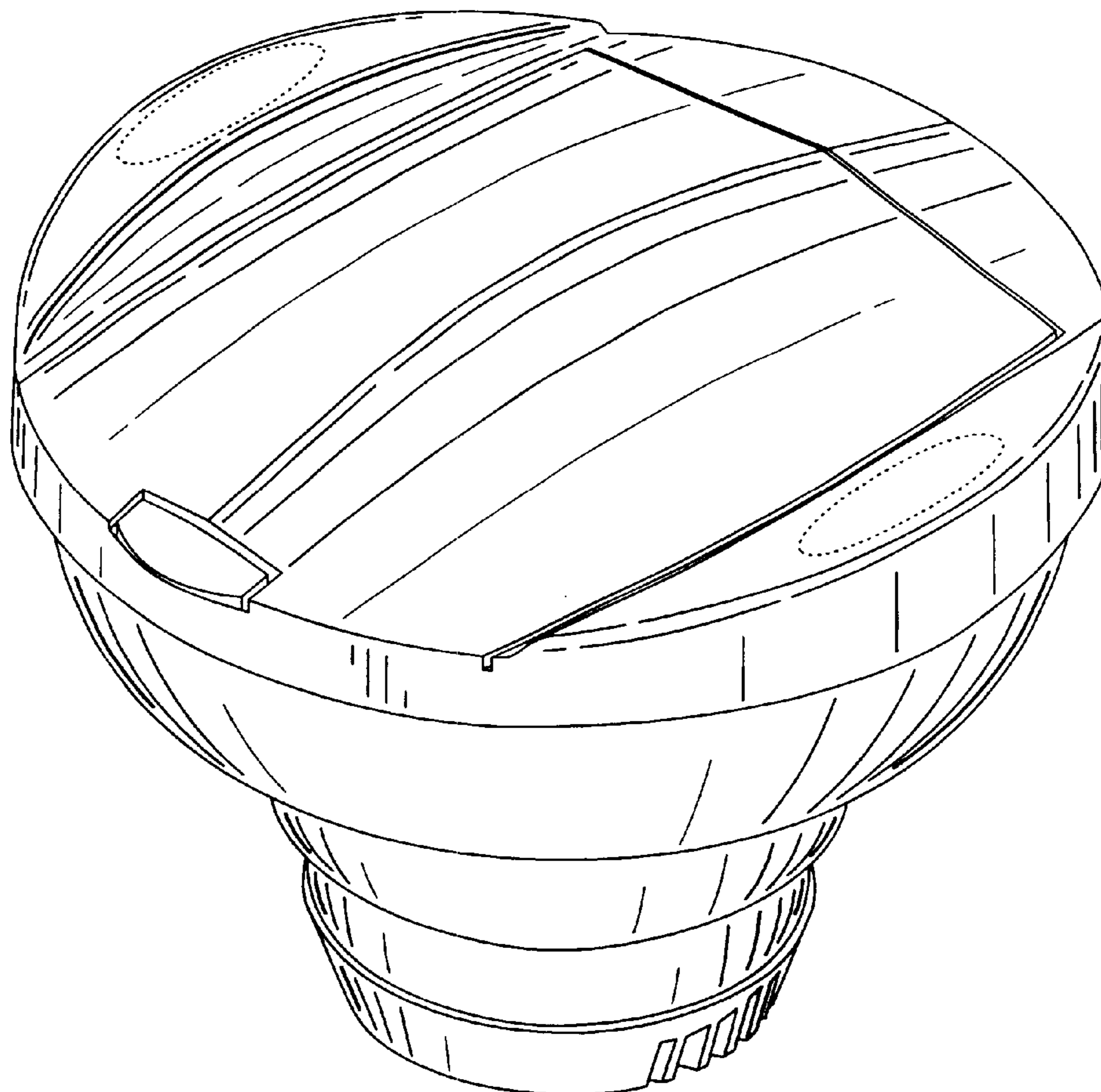
FIG. 5 is a left side elevational view thereof;

FIG. 6 is a top plan view thereof; and,

FIG. 7 is a bottom plan view thereof.

The phantom lines in FIGS. 1–3 and 6 are for illustrative purposes only and form no part of the design.

1 Claim, 7 Drawing Sheets



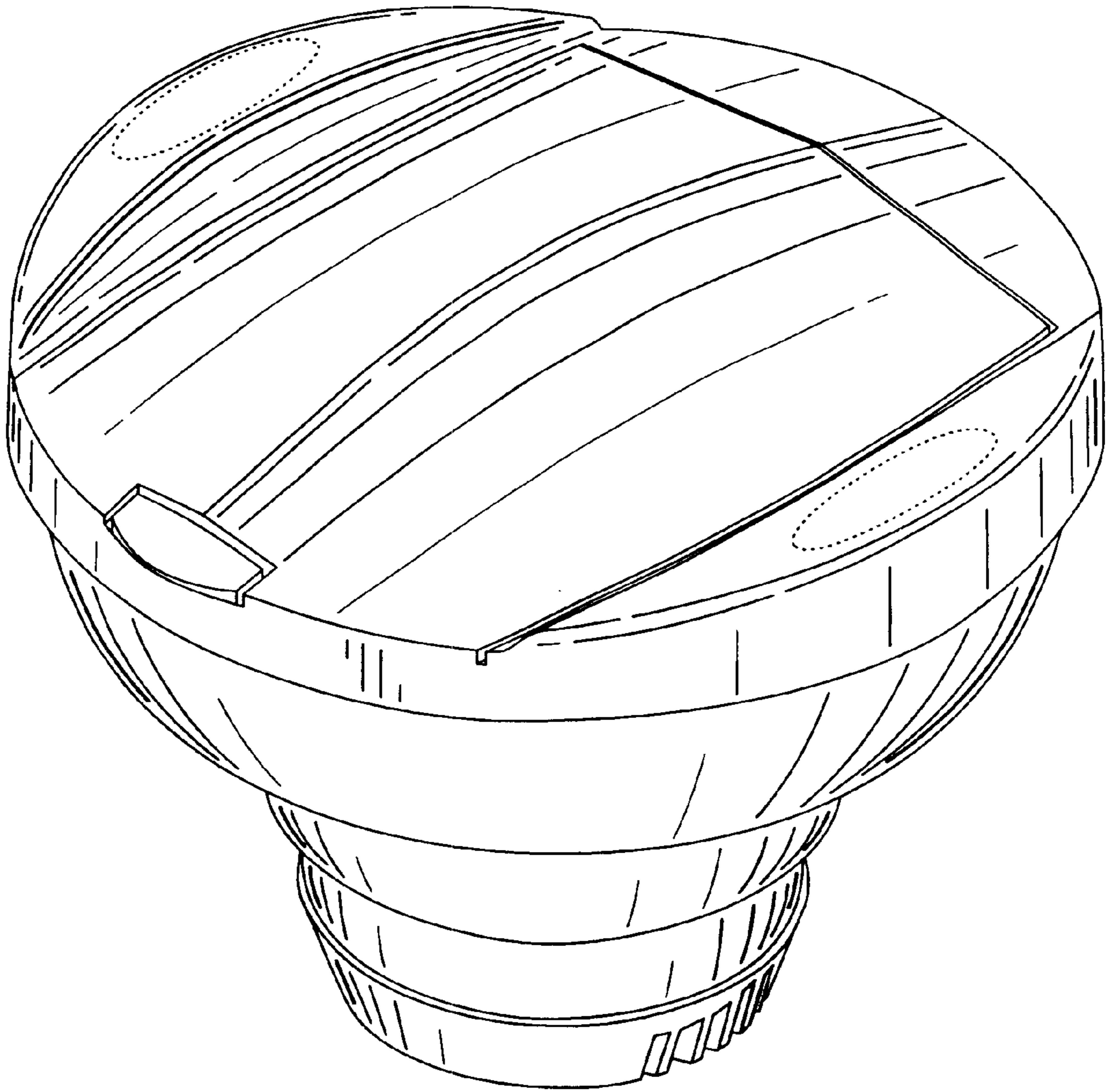


Fig. 1

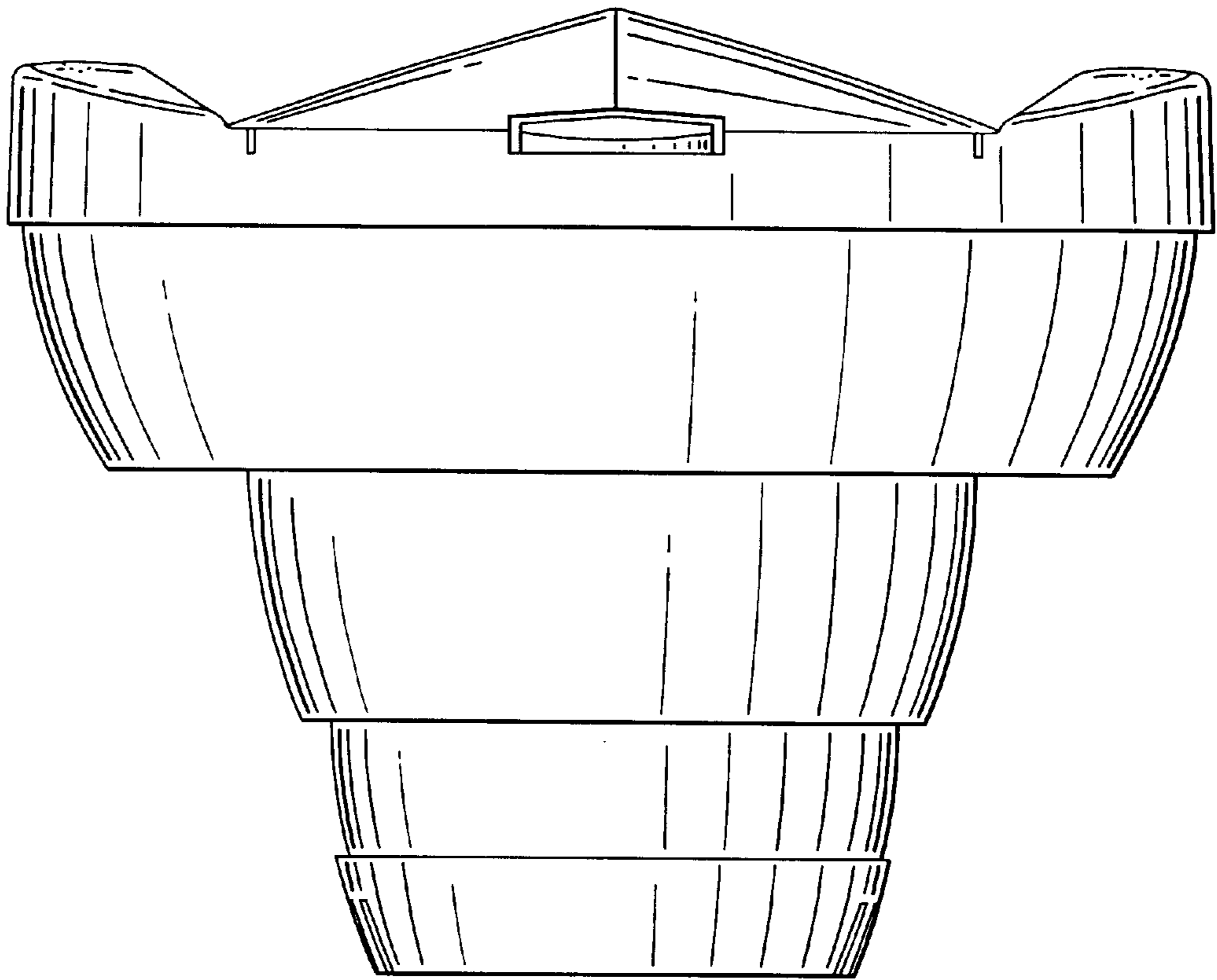


Fig. 2

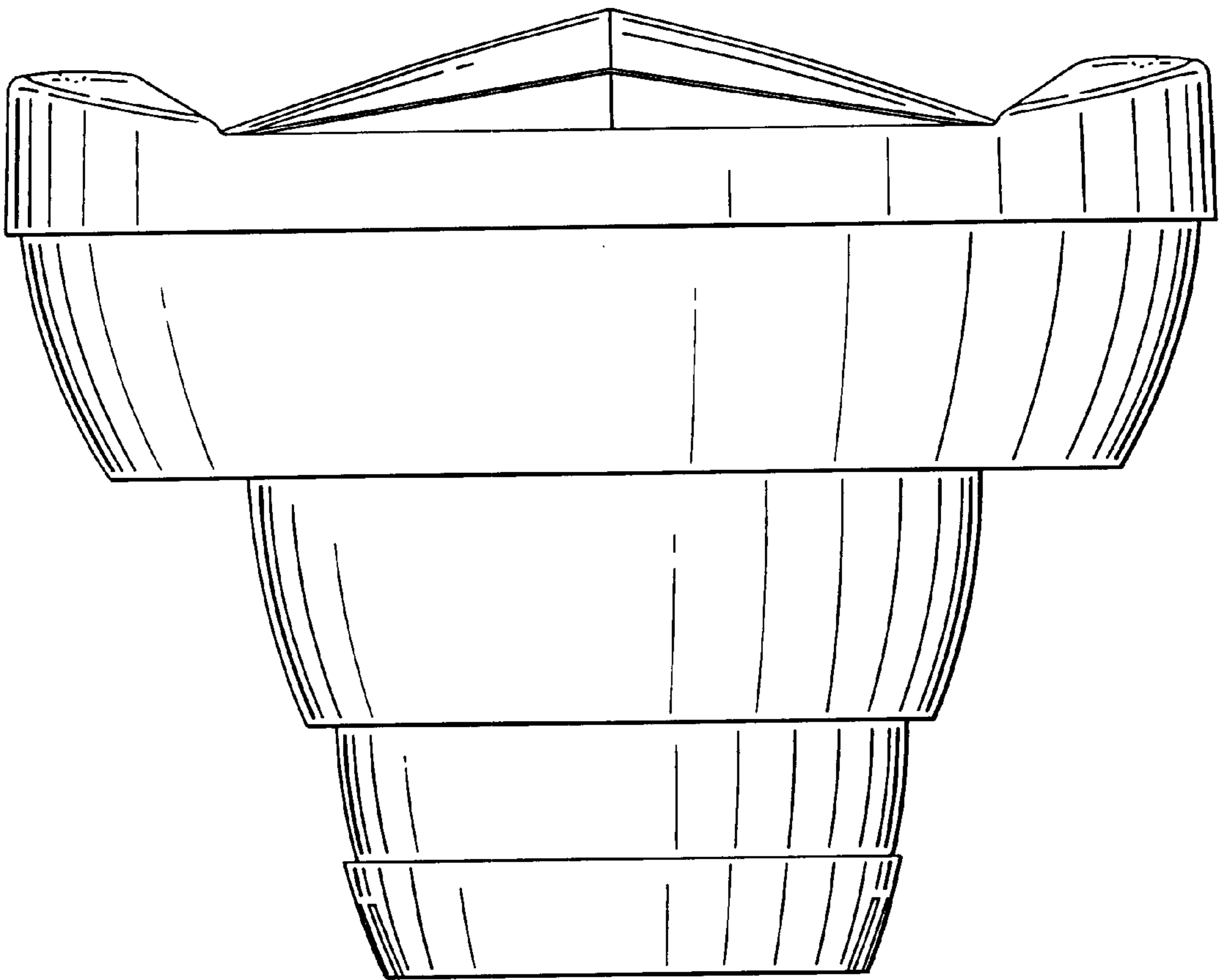


Fig. 3

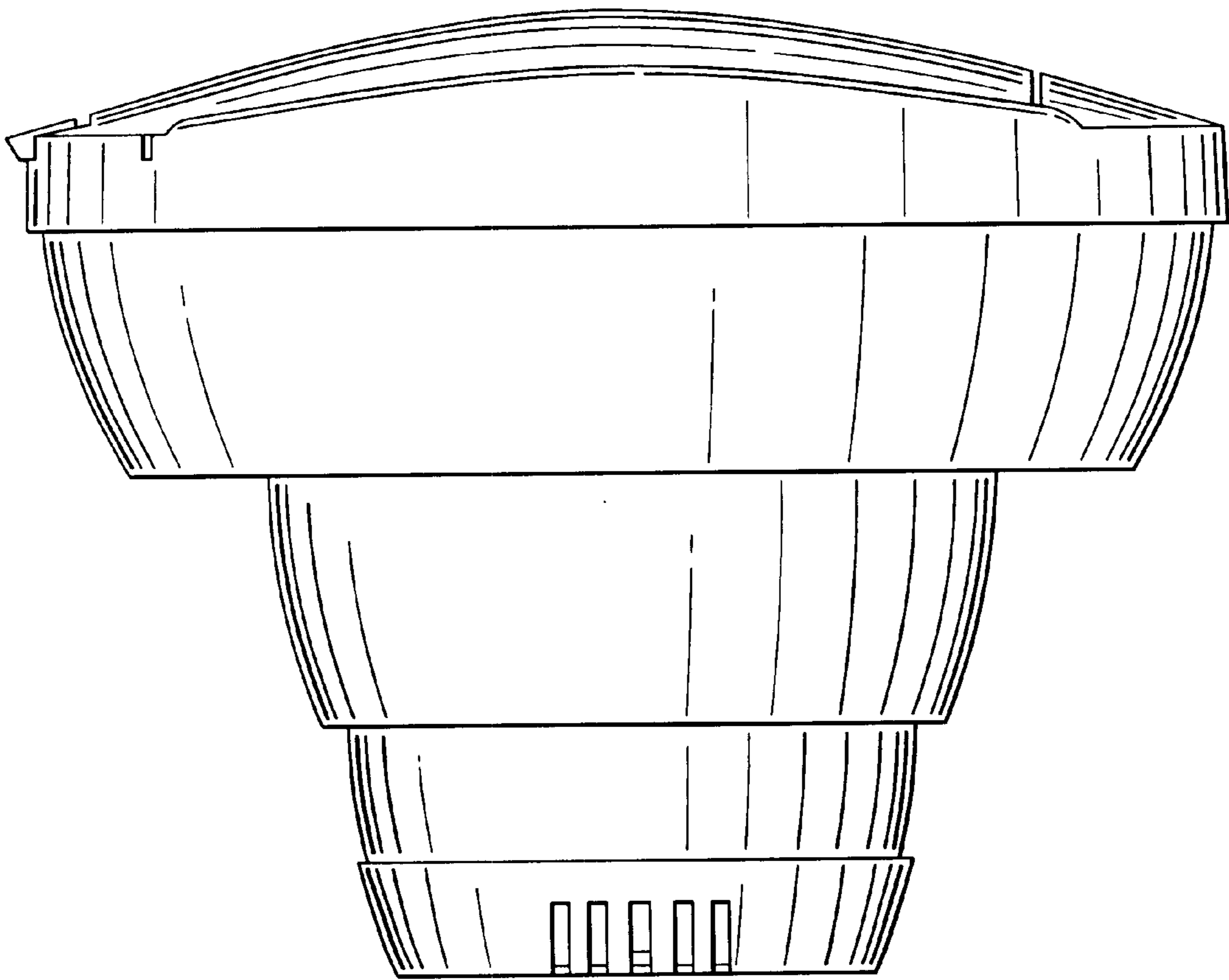


Fig. 4

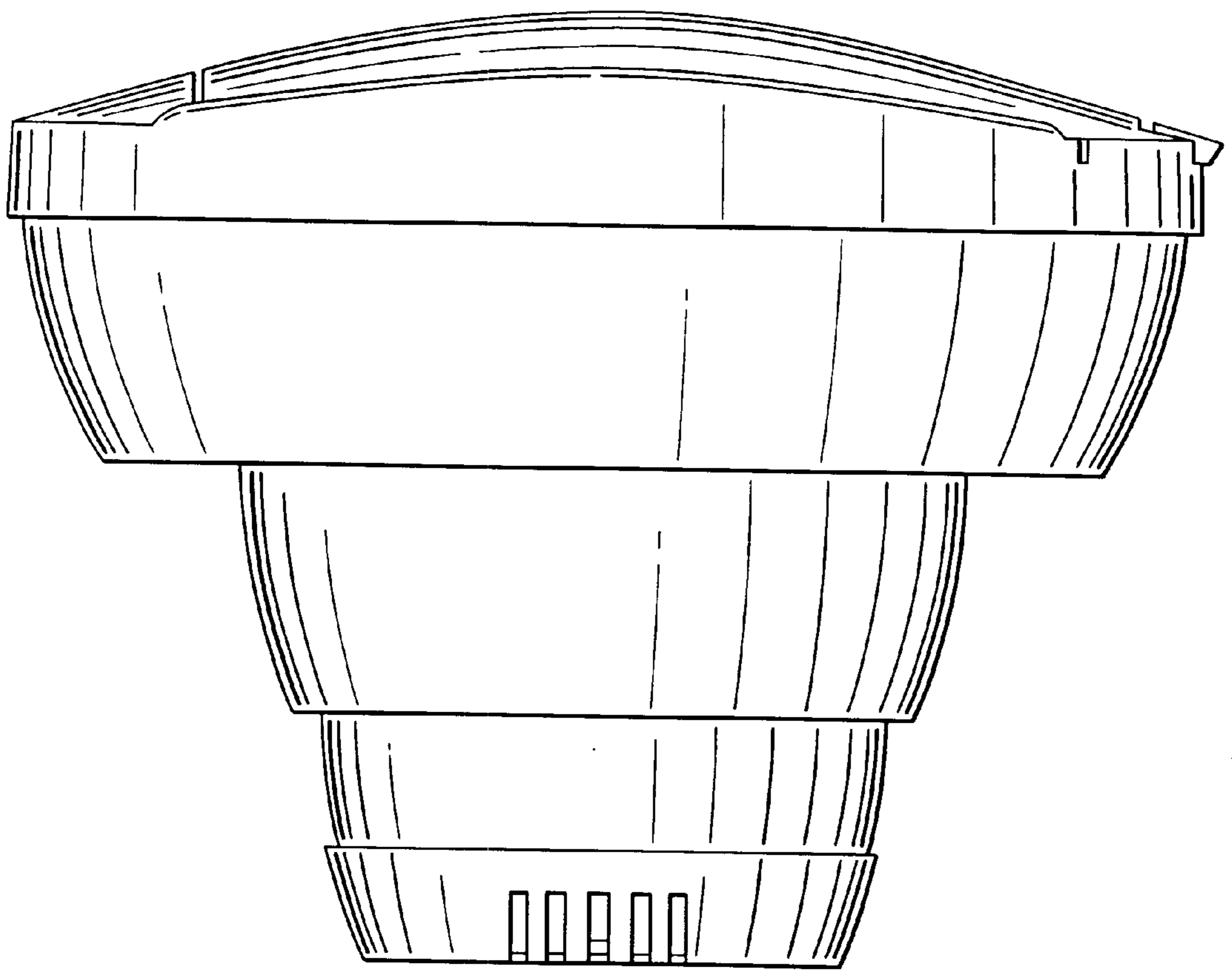


Fig. 5

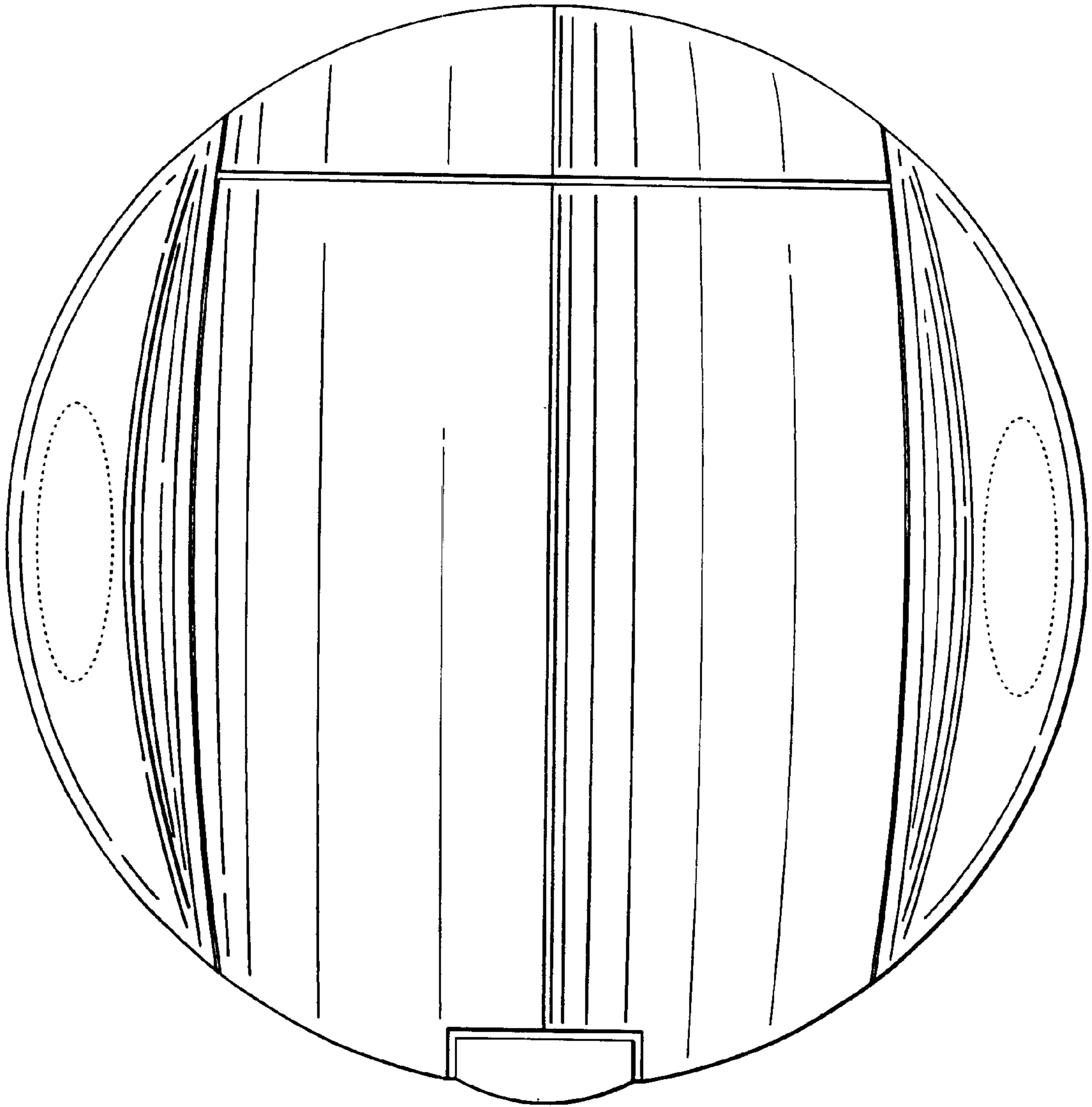


Fig. 6

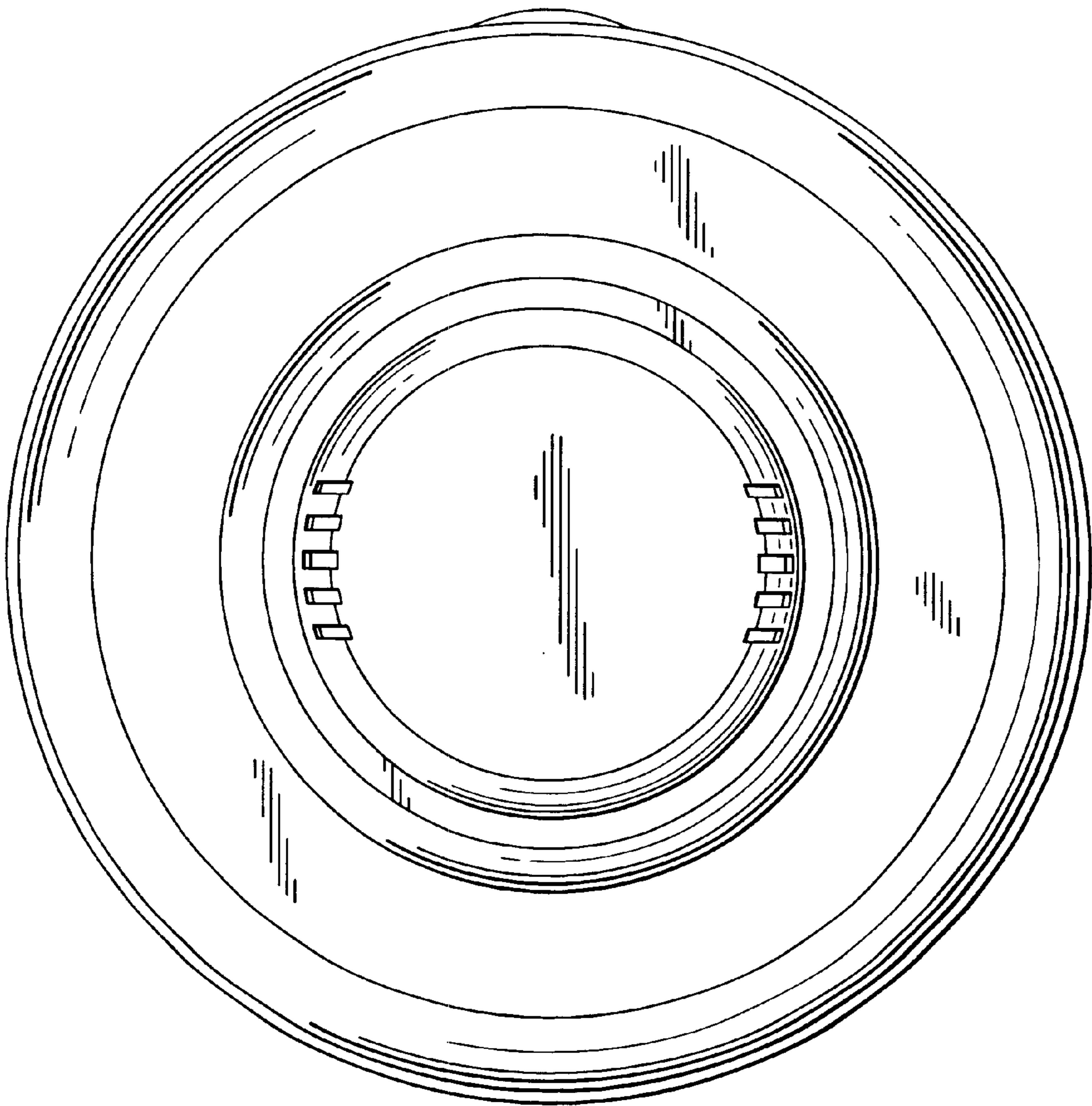


Fig. 7