



US00D486879S

(12) **United States Design Patent**
Powell et al.

(10) **Patent No.:** **US D486,879 S**

(45) **Date of Patent:** **** Feb. 17, 2004**

(54) **GOBBLER SLING FOR TOTING HUNTER'S GAME**

(76) Inventors: **Jeffrey A. Powell**, 1036 Garrison Rd., Ashtabula, OH (US) 44004; **Anthony R. Giannelli**, 2107 Gianell Ave., Ashtabula, OH (US) 44004

(**) Term: **14 Years**

(21) Appl. No.: **29/154,311**

(22) Filed: **Jan. 24, 2002**

(51) **LOC (7) Cl.** **22-99**

(52) **U.S. Cl.** **D22/199**

(58) **Field of Search** D22/119, 199; 16/428, 442; 123/185.2; 280/18, 19; 224/103, 184, 248, 250, 258, 259, 576, 609, 921; 294/142, 143, 150, 153, 156, 165, 167

(56) **References Cited**

U.S. PATENT DOCUMENTS

- 825,753 A * 7/1906 Paul 224/921
- 2,904,236 A * 9/1959 Peterson 224/143
- 3,096,010 A * 7/1963 Rasmussen 224/921
- 3,346,154 A * 10/1967 Bishop 224/184
- 4,706,858 A * 11/1987 Whatley 224/184

- 4,730,863 A * 3/1988 Guadnola 294/142 X
- 4,918,785 A * 4/1990 Spinner et al. 16/428
- 5,467,907 A * 11/1995 Celik 224/259 X
- 2002/0108978 A1 * 8/2002 Koxlien 224/921

* cited by examiner

Primary Examiner—Louis S. Zarfaz
Assistant Examiner—Monica A. Weingart
(74) *Attorney, Agent, or Firm*—Joseph H. Taddeo

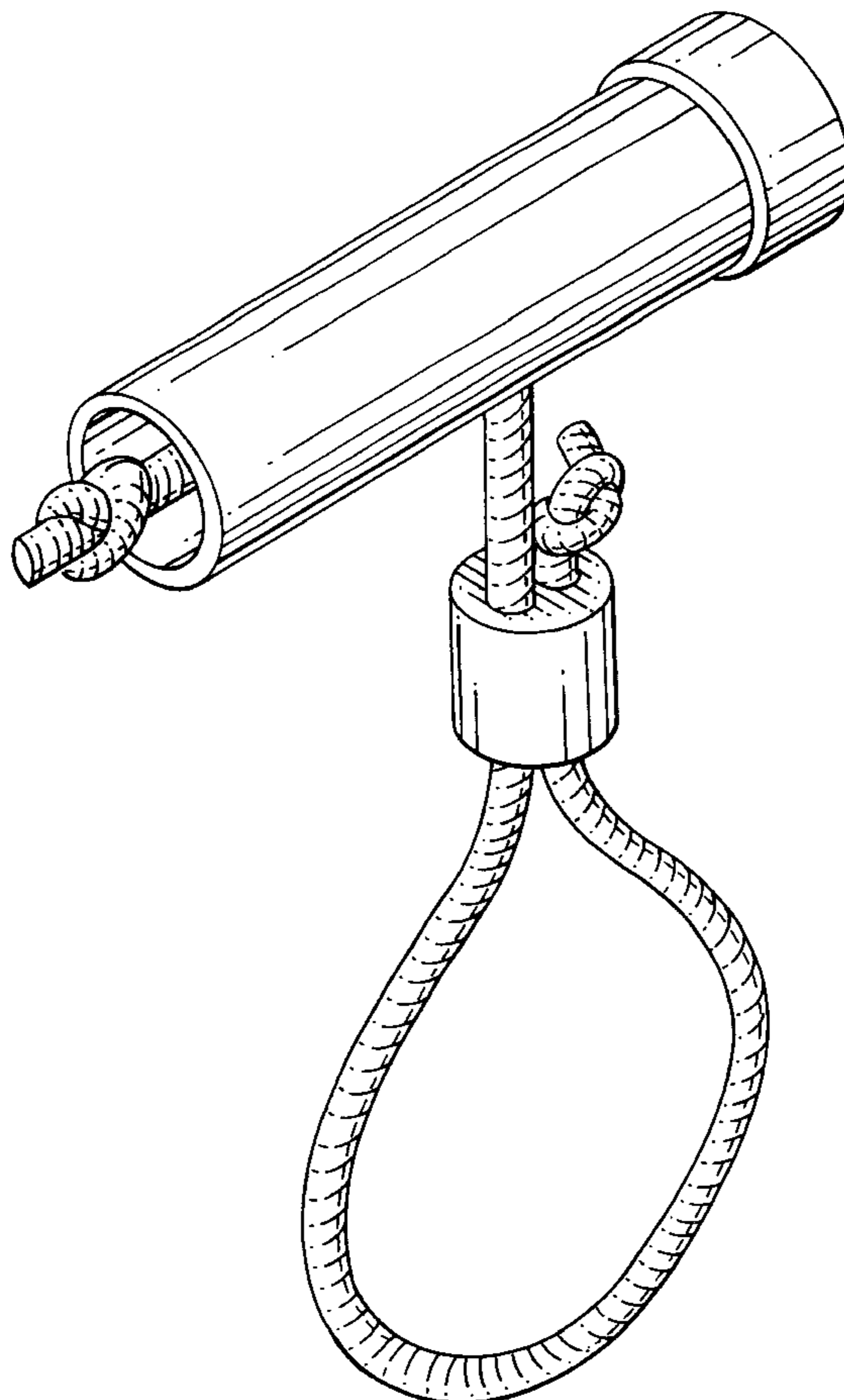
(57) **CLAIM**

The ornamental design for a gobbler sling for toting hunter's game, as shown and described.

DESCRIPTION

FIG. 1 is a perspective view of our new design for a gobbler sling for toting hunter's game;
FIG. 2 is a top plan view thereof;
FIG. 3 is a front elevational view, the rear view is a mirror image;
FIG. 4 is a right end view;
FIG. 5 is a left end view;
FIG. 6 is a sectional view taken through section 6—6 on FIG. 3; and,
FIG. 7 is a bottom view thereof.

1 Claim, 3 Drawing Sheets



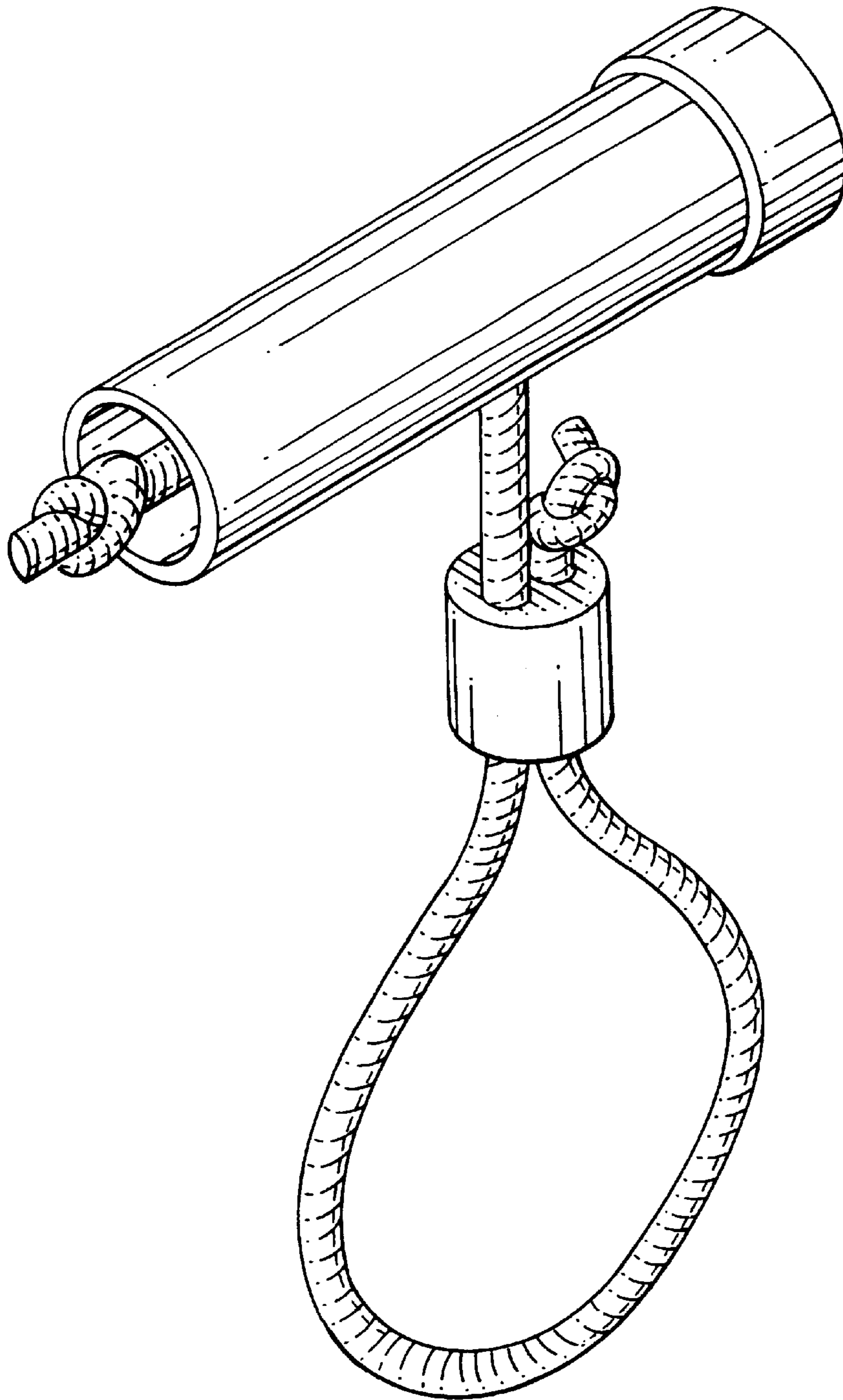


FIG. 1

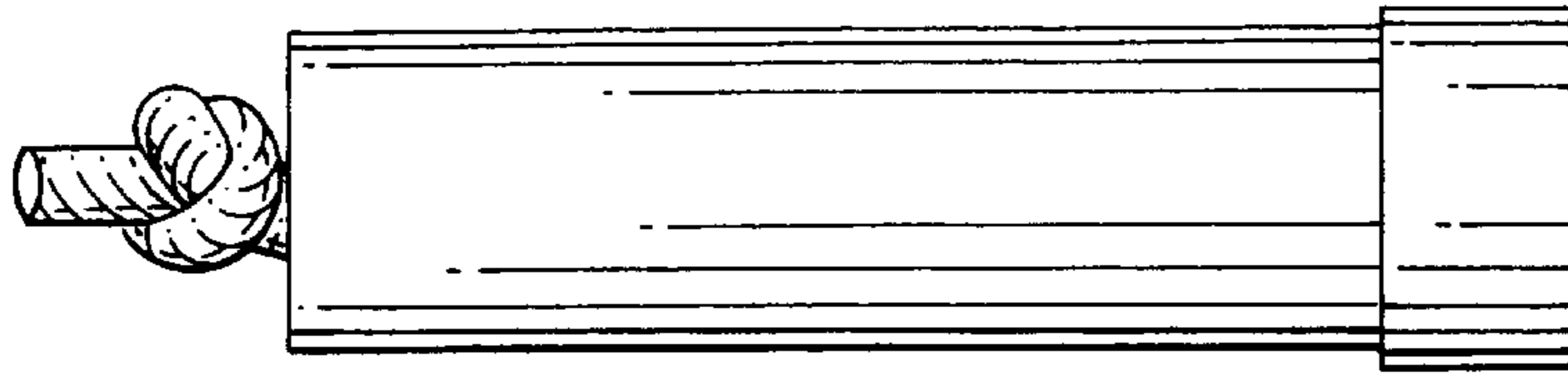


FIG. 2

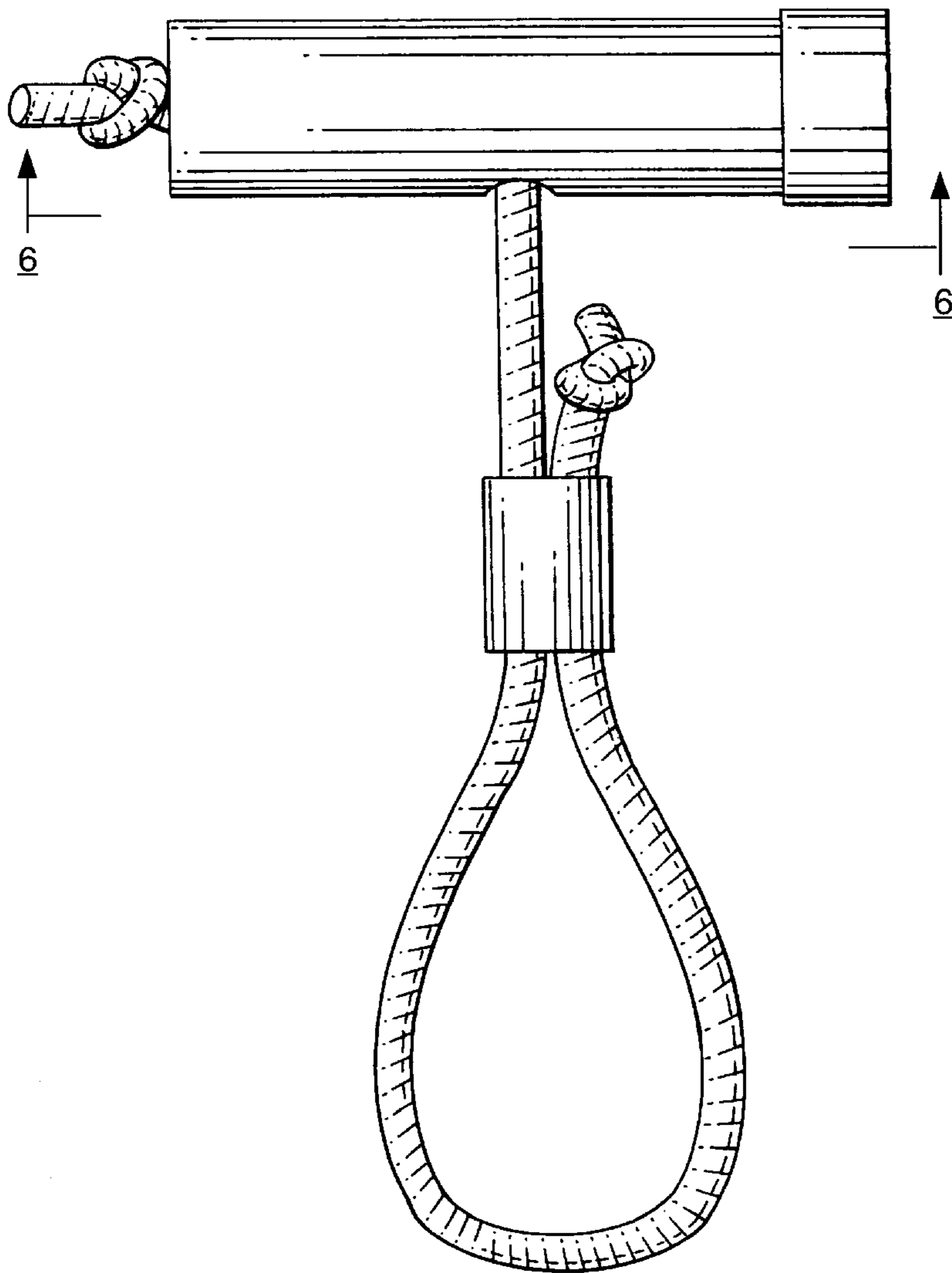


FIG. 3

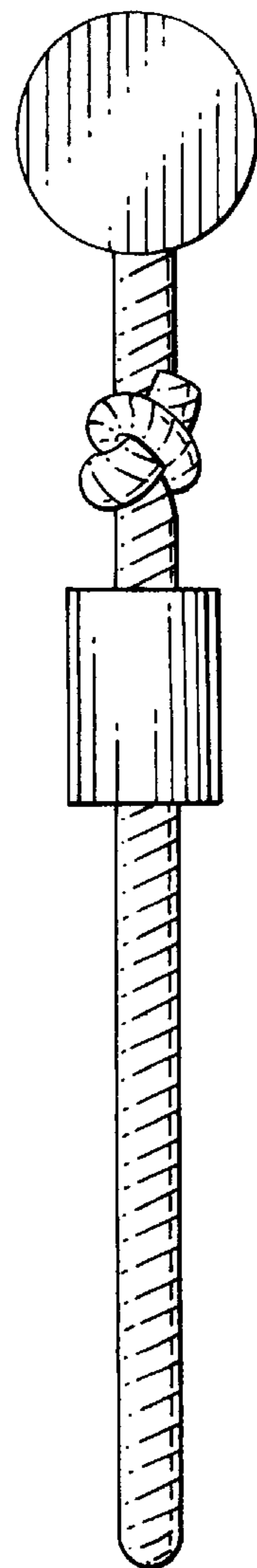


Fig. 4

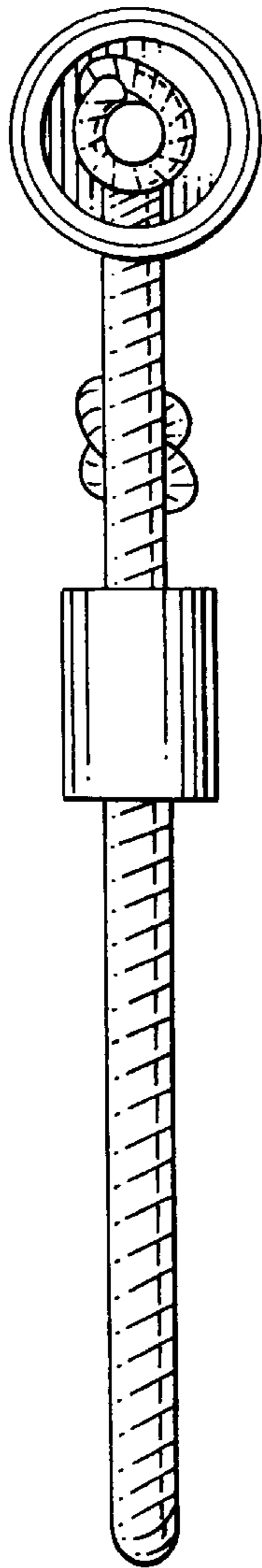


FIG. 5

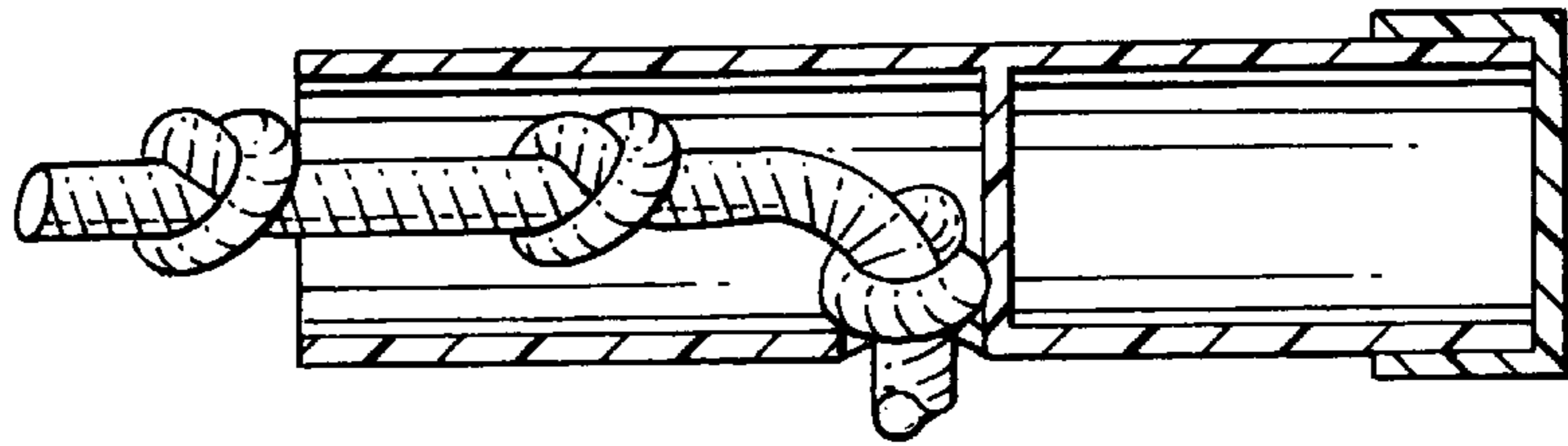


FIG. 6

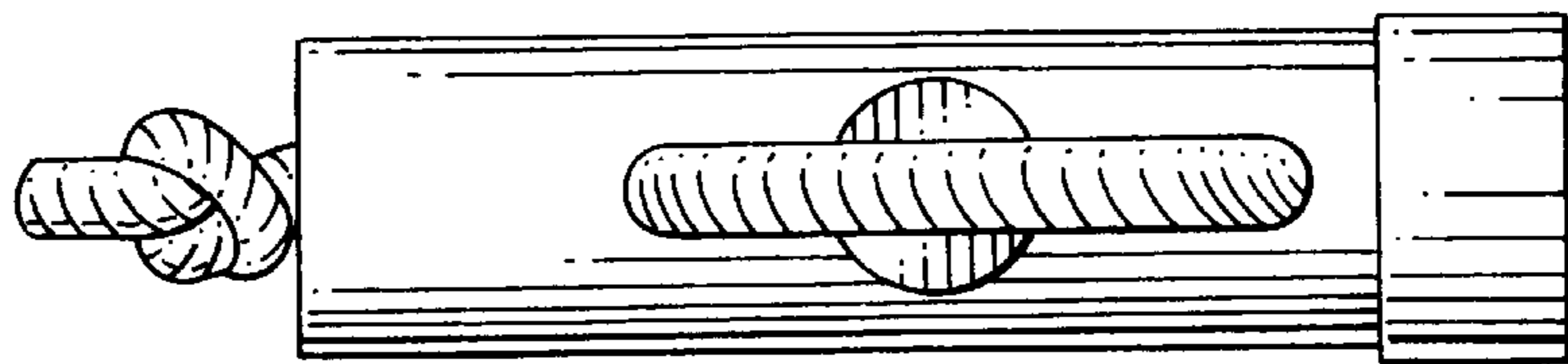


FIG. 7