



US00D486875S

(12) **United States Design Patent**
Hale et al.

(10) **Patent No.:** **US D486,875 S**

(45) **Date of Patent:** **** Feb. 17, 2004**

(54) **AUXILIARY GOLF CLUB HOLDER**

3,866,646 A * 2/1975 Nevard 211/70.2
5,102,529 A * 4/1992 Hickin 206/15.3
D472,376 S * 4/2003 Wampler et al. D3/255

(75) Inventors: **Franklin C. Hale**, West Melbourne, FL
(US); **James W. Austin**, Melbourne
Beach, FL (US)

* cited by examiner

(73) Assignee: **Melbourne Sports Technology, Inc.**,
West Melbourne, FL (US)

Primary Examiner—Mitchell Siegel
(74) *Attorney, Agent, or Firm*—Young & Basile, P.C.

(**) Term: **14 Years**

(57) **CLAIM**

(21) Appl. No.: **29/179,715**

The ornamental design for an auxiliary golf club holder, as shown and described.

(22) Filed: **Apr. 14, 2003**

DESCRIPTION

(51) **LOC (7) Cl.** **21-02**

(52) **U.S. Cl.** **D21/796**

(58) **Field of Search** D21/789, 796;
211/70.2; 206/315.2, 315.3, 315.5, 316.7;
294/143

FIG. 1 is a perspective view of an auxiliary golf club holder in accord with our new design;

FIG. 2 is an elevational view of our new design as taken from the left of FIG. 1;

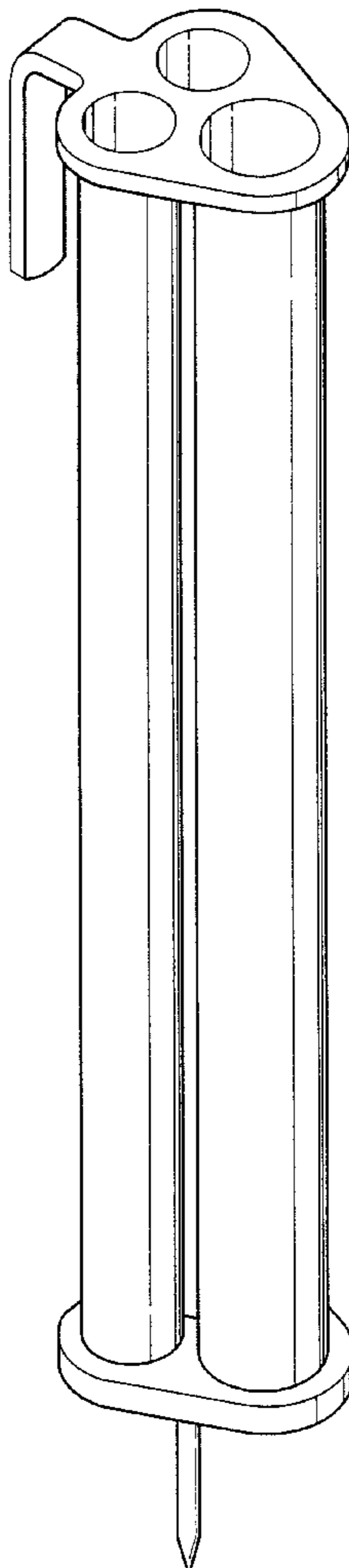
FIG. 3 is top plan view of the auxiliary golf club holder; and, FIG. 4 is a partial prospective view of the lower end of the auxiliary golf club holder.

(56) **References Cited**

U.S. PATENT DOCUMENTS

2,970,629 A * 2/1961 Masten 206/315.2

1 Claim, 2 Drawing Sheets



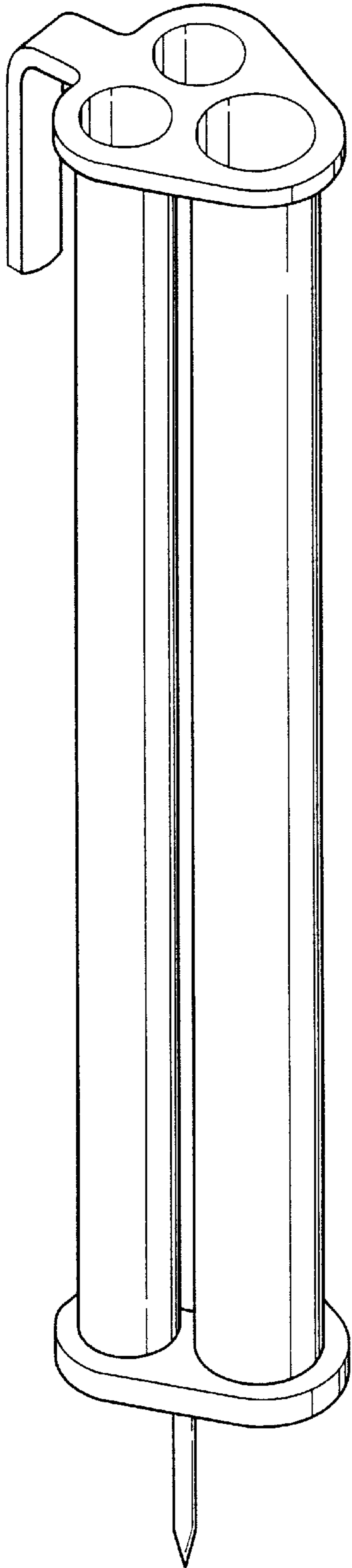


FIG - 1

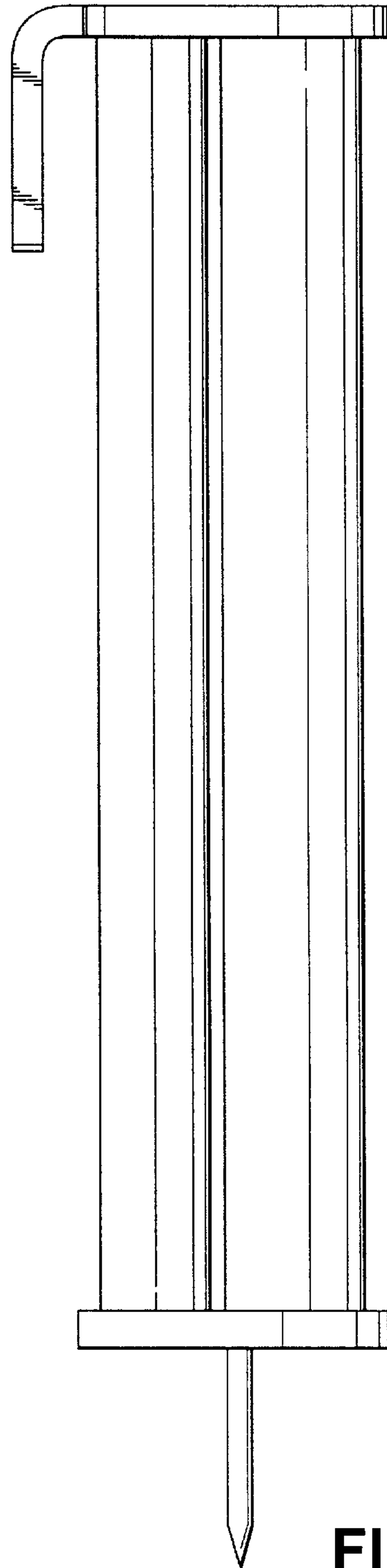


FIG - 2

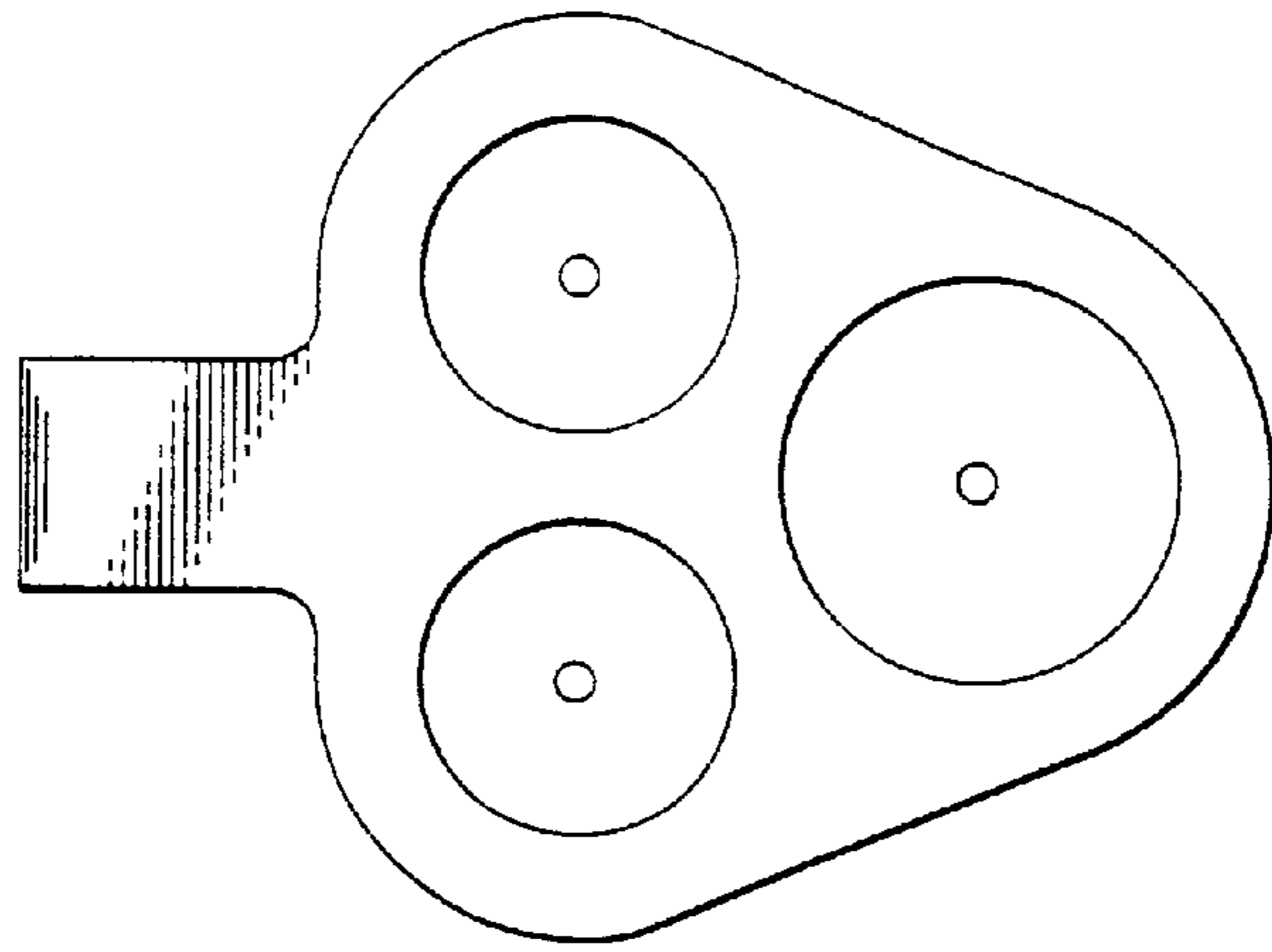


FIG - 3

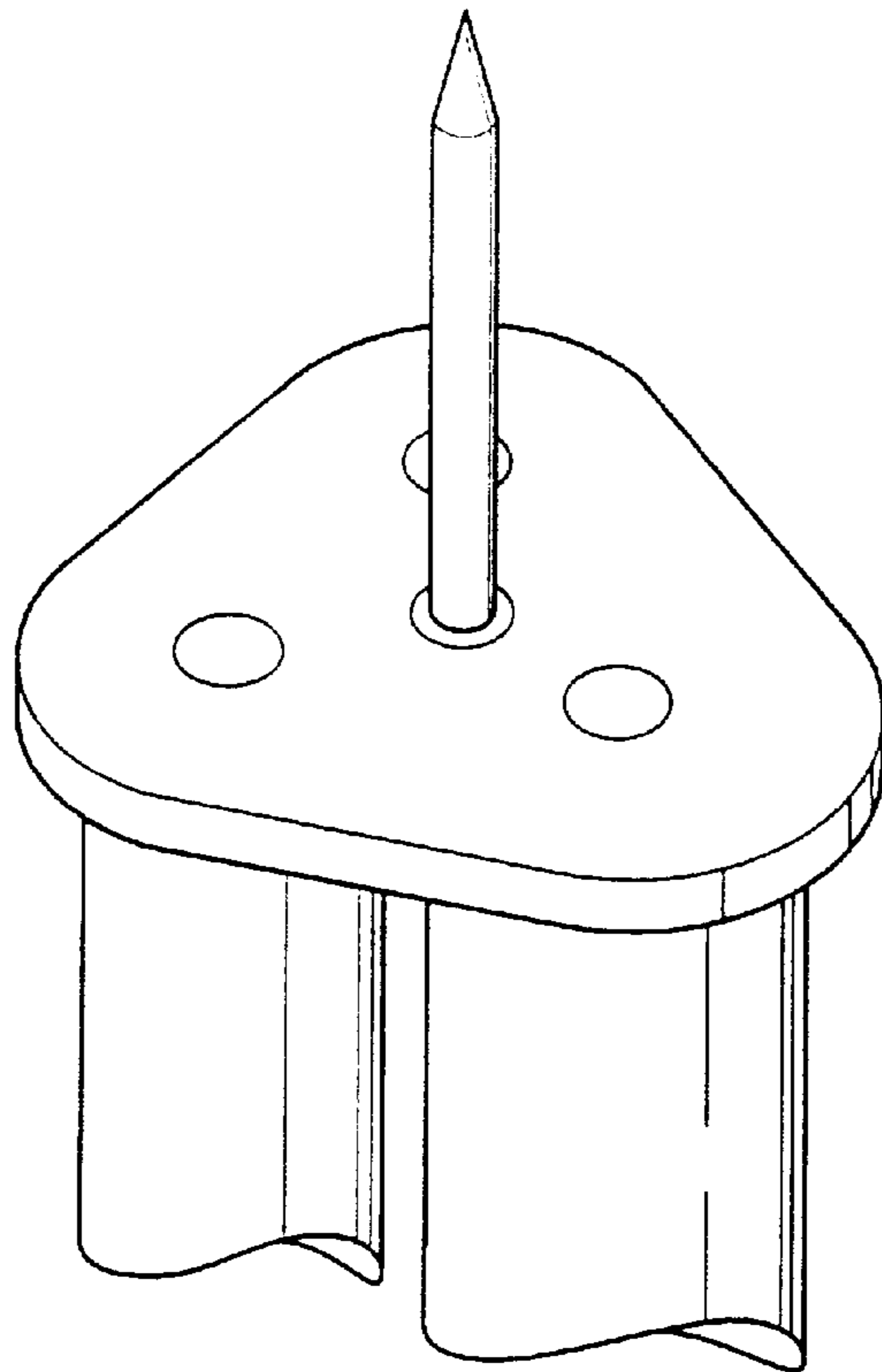


FIG - 4