



US00D486874S

(12) **United States Design Patent**  
**Ashton**

(10) **Patent No.:** **US D486,874 S**

(45) **Date of Patent:** **\*\* Feb. 17, 2004**

(54) **TOW HANDLE**

(75) **Inventor:** **Gregory C. Ashton**, Sammamish, WA (US)

(73) **Assignee:** **HO Sports Company, Inc.**, Redmond, WA (US)

(\*\*) **Term:** **14 Years**

(21) **Appl. No.:** **29/172,603**

(22) **Filed:** **Dec. 13, 2002**

(51) **LOC (7) Cl.** ..... **21-02**

(52) **U.S. Cl.** ..... **D21/777**

(58) **Field of Search** ..... D21/777, 771,  
D21/694, 673, 692, 684, 662; 441/69, 65-68;  
482/126, 125

(56) **References Cited**

**U.S. PATENT DOCUMENTS**

- 2,992,624 A \* 7/1961 Bertelson, Jr. .... 242/405.1
- 4,740,181 A \* 4/1988 Kell ..... 441/69
- D334,960 S \* 4/1993 Goodman ..... D21/777
- D347,868 S \* 6/1994 Hill ..... D21/662

- 5,503,580 A \* 4/1996 McCarthy ..... 441/69
- 5,873,758 A \* 2/1999 Mullins ..... 441/69
- D474,818 S \* 5/2003 Yu ..... D21/662

\* cited by examiner

*Primary Examiner*—Lucy Lieberman

(74) *Attorney, Agent, or Firm*—Davis Wright Tremaine LLP; George C. Rondeau, Jr.

(57) **CLAIM**

The ornamental design for a tow handle, as shown and described.

**DESCRIPTION**

FIG. 1 is a perspective view of a tow handle showing my new design.

FIG. 2 is a top plan view thereof, the bottom plan view being a mirror image thereto.

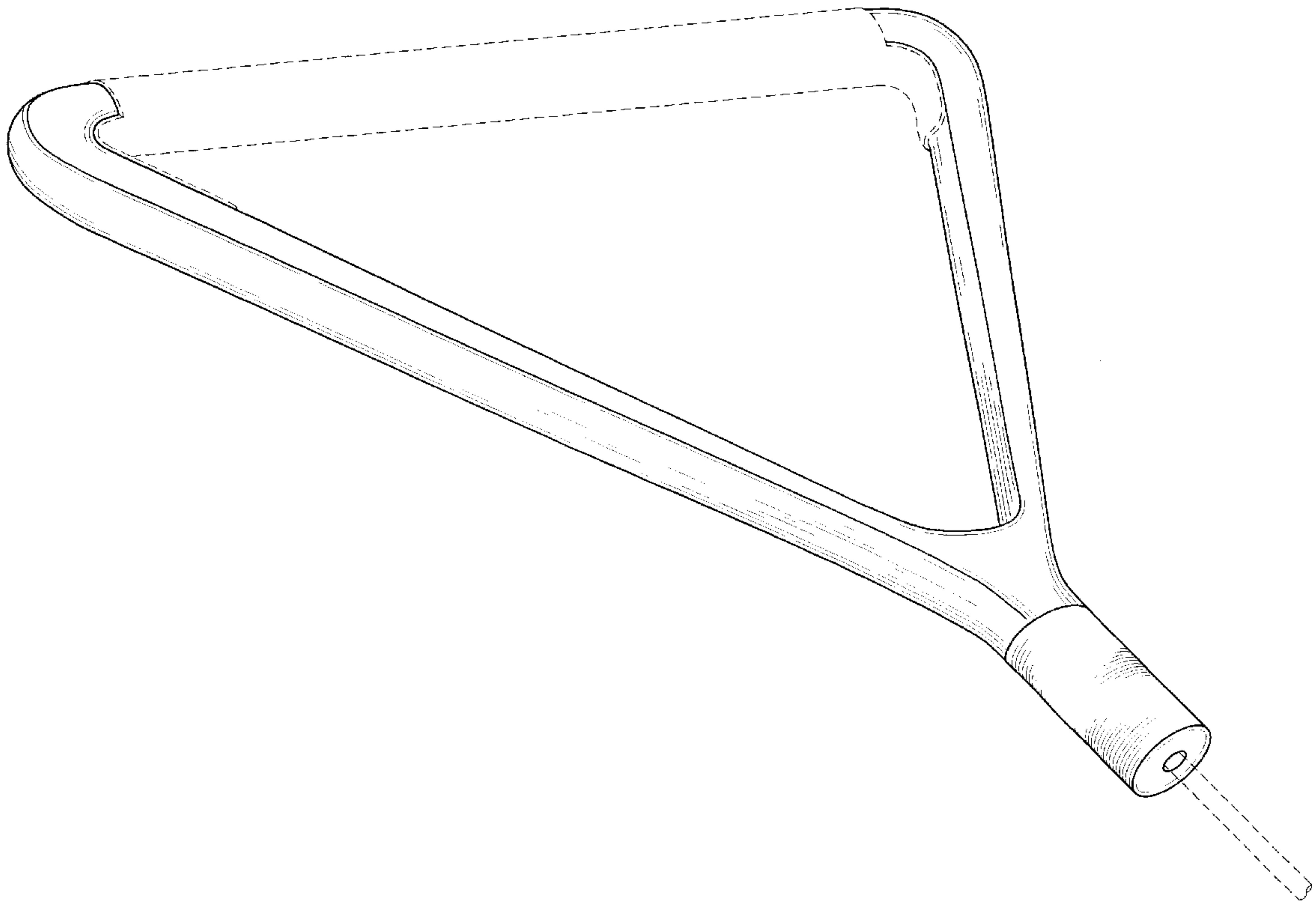
FIG. 3 is a right side elevational view thereof, the left side elevational view being a mirror image thereto.

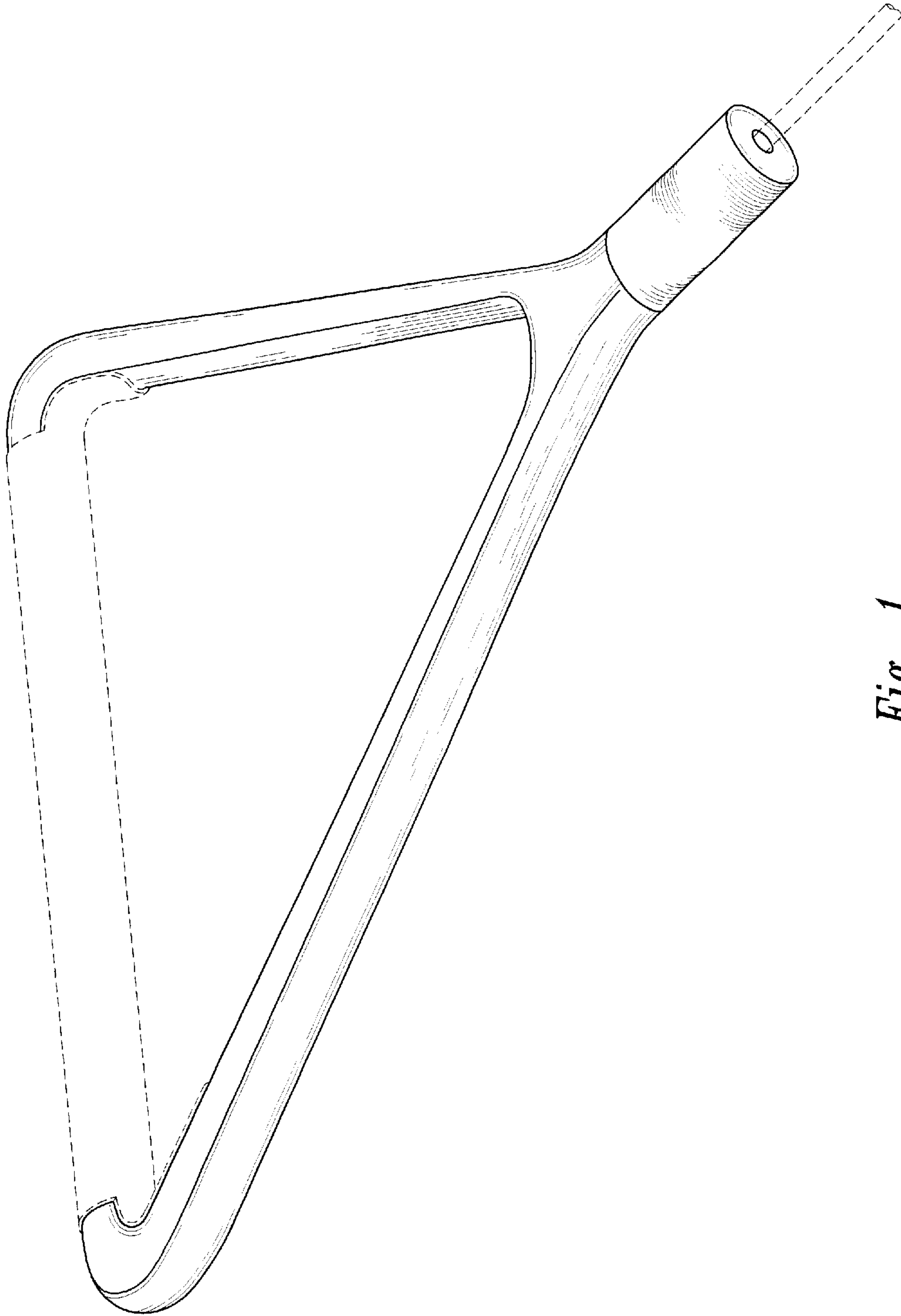
FIG. 4 is a forward end elevational view thereof; and,

FIG. 5 is a rearward end elevational view thereof.

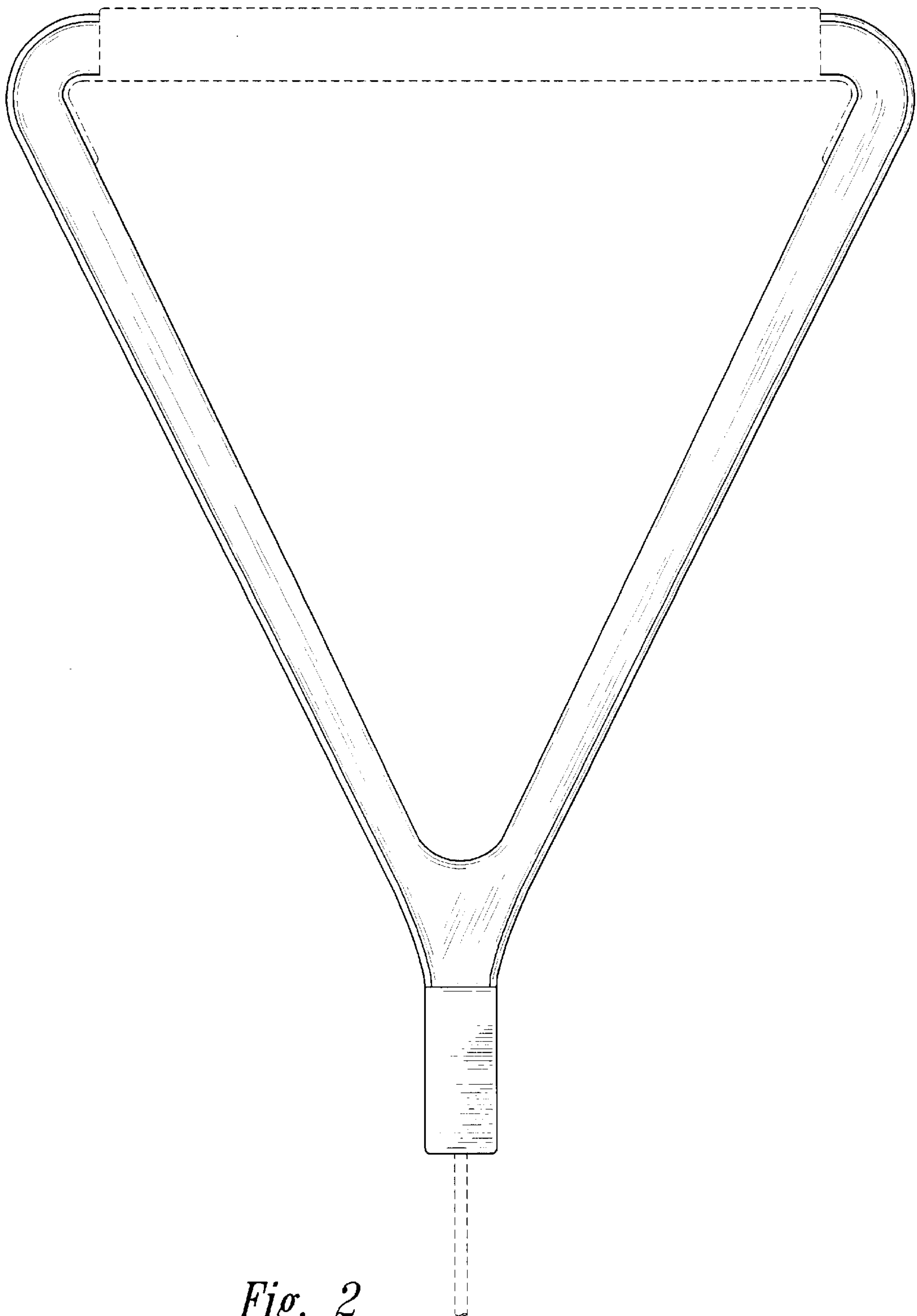
The broken lines in the drawings are for illustrative purposes only and do not form part of the claimed design.

**1 Claim, 4 Drawing Sheets**

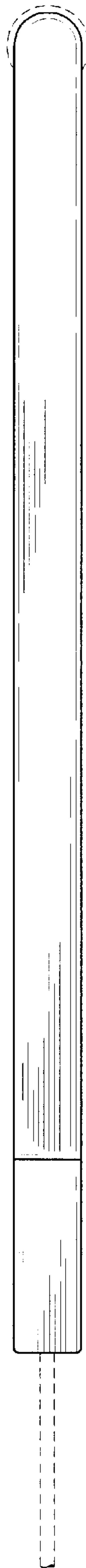




*Fig. 1*



*Fig. 2*



*Fig. 3*



*Fig. 4*



*Fig. 5*