



US00D486873S

(12) **United States Design Patent**
Sorensen

(10) **Patent No.:** **US D486,873 S**

(45) **Date of Patent:** **** Feb. 17, 2004**

(54) **GOLF CLUB PUTTER HEAD**

(76) Inventor: **Louis E. Sorensen**, 1111 N. Sumac Dr.,
Janesville, WI (US) 53545

(**) Term: **14 Years**

(21) Appl. No.: **29/173,277**

(22) Filed: **Dec. 26, 2002**

(51) **LOC (7) Cl.** **21-02**

(52) **U.S. Cl.** **D21/743**

(58) **Field of Search** D21/736-746;
473/324, 327-331, 340, 341, 251-256

(56) **References Cited**

U.S. PATENT DOCUMENTS

D368,751 S	*	4/1996	Rife	D21/745
D379,484 S	*	5/1997	Solheim	D21/745
D396,896 S	*	8/1998	Casteel	D21/742
D402,343 S	*	12/1998	Helmstetter et al.	D21/738
D405,856 S	*	2/1999	Tang et al.	D21/744
D413,951 S	*	9/1999	Storer et al.	D21/744
D434,094 S	*	11/2000	Miyashita	D21/744

* cited by examiner

Primary Examiner—Mitchell Siegel
(74) *Attorney, Agent, or Firm*—Robert T. Johnson

(57) **CLAIM**

I claim the ornamental design for a golf club putter head, as shown and described.

DESCRIPTION

FIG. 1—Front elevational view of first embodiment of ornamental design for golf club putter head.

FIG. 2—Top plan view thereof.

FIG. 3—Rear elevational view thereof.

FIG. 4—Left side elevational view thereof, and the right side elevational view is a mirror image of the left side view thereof,

FIG. 5—Bottom plan view of ornamental golf club putter head; and

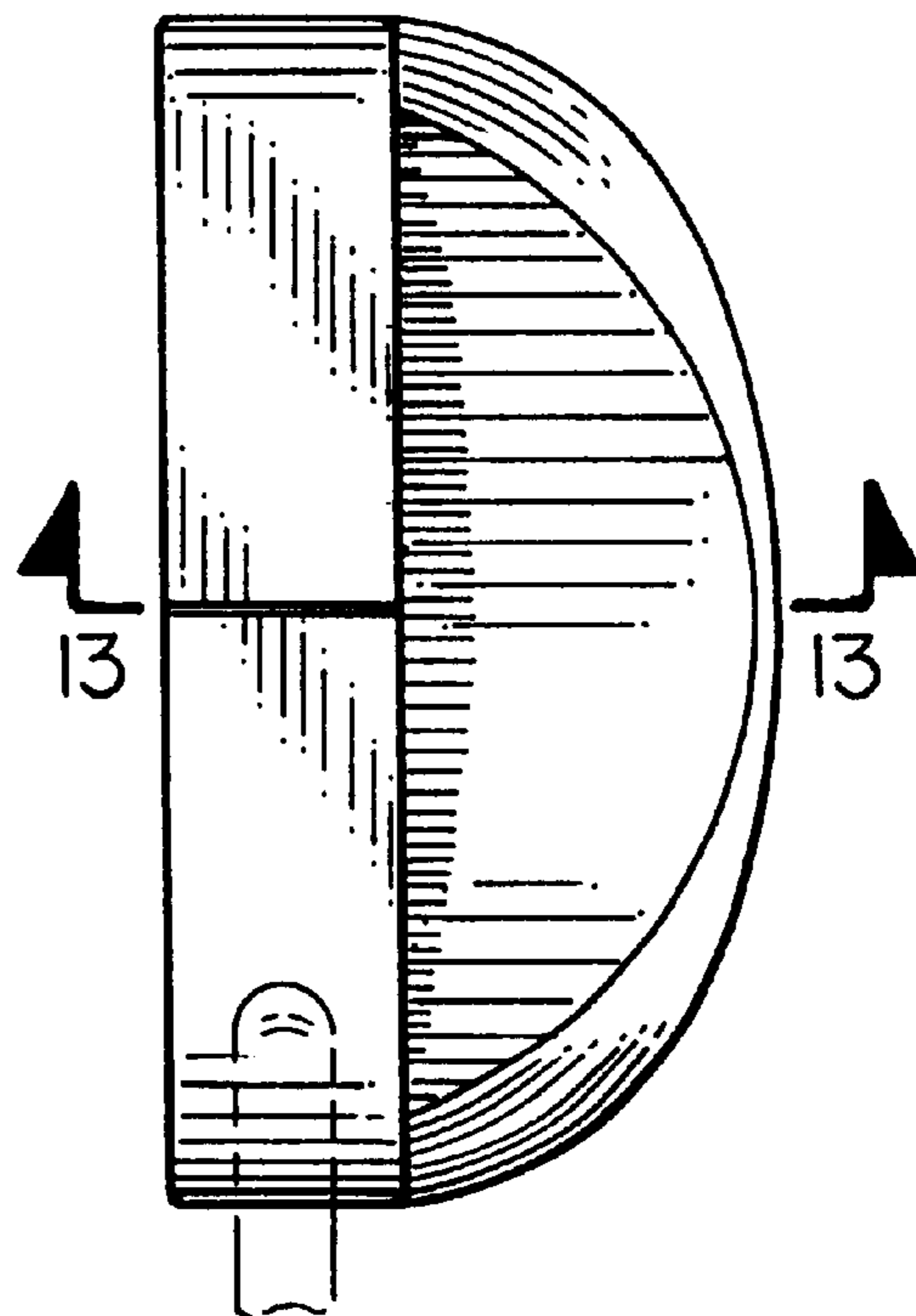
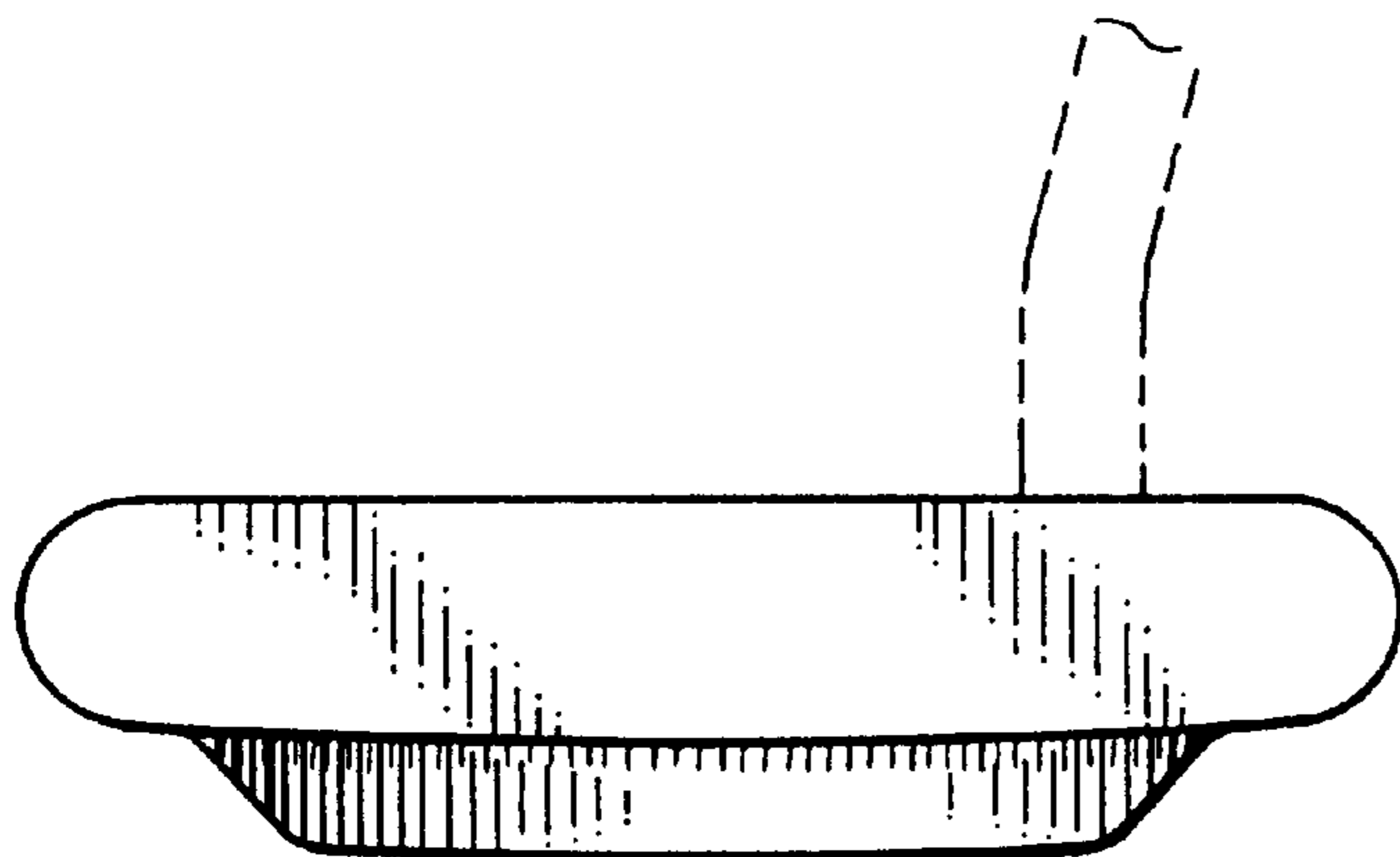
FIG. 6—Perspective bottom plan view for first embodiment of ornamental design for golf club putter head.

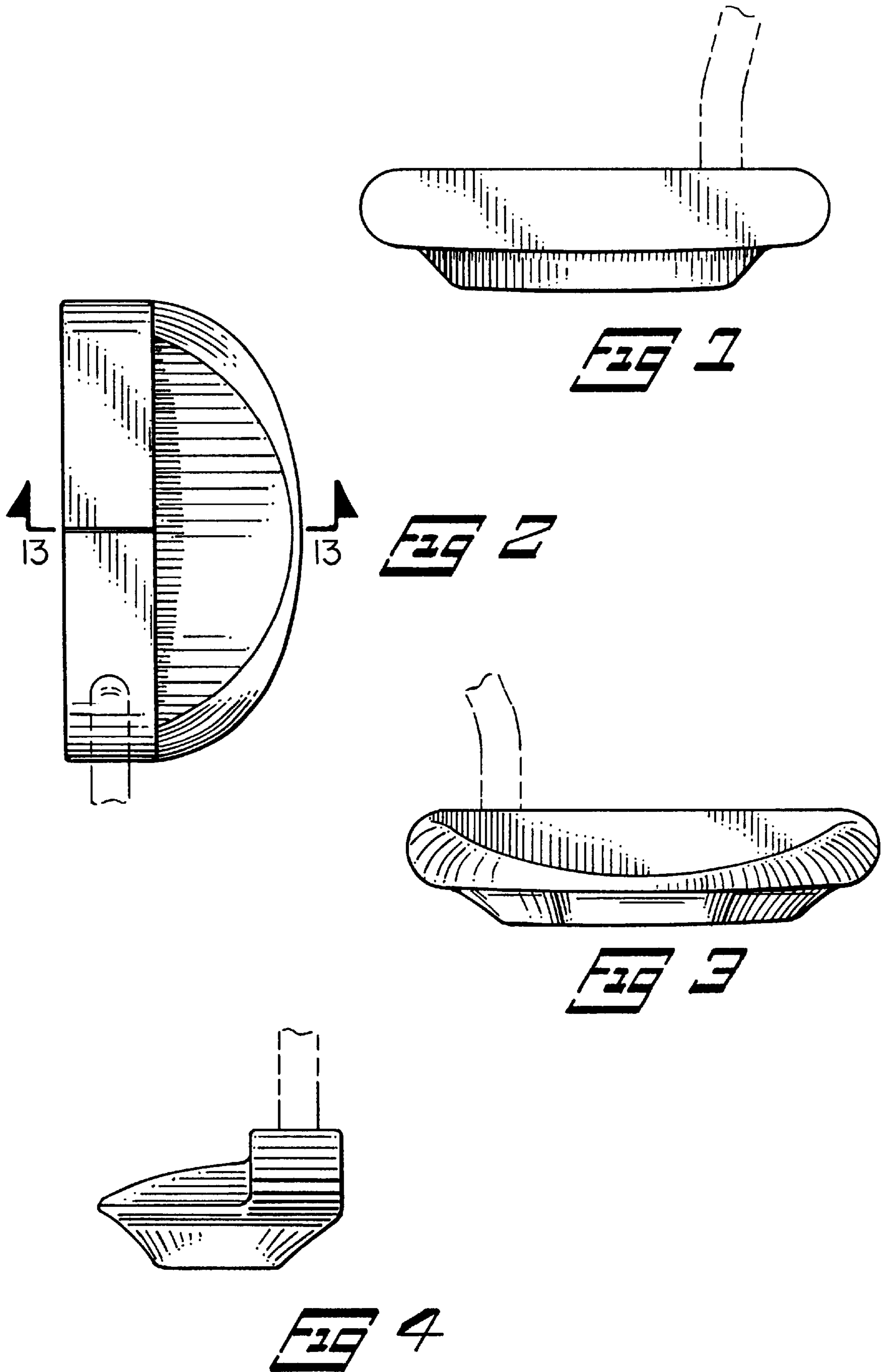
FIG. 7—Elevational view of cross section of golf club putter head as shown in FIG. 2 for ornamental design for golf club putter head; and,

FIG. 8—Perspective view of first ornamental design for golf club putter head.

The broken lines shown in FIGS. 1, 2, 3, 4, 6, and 8 in replacement sheet 3/3 are for illustrative purposes only, and form no part of the claimed design.

1 Claim, 3 Drawing Sheets





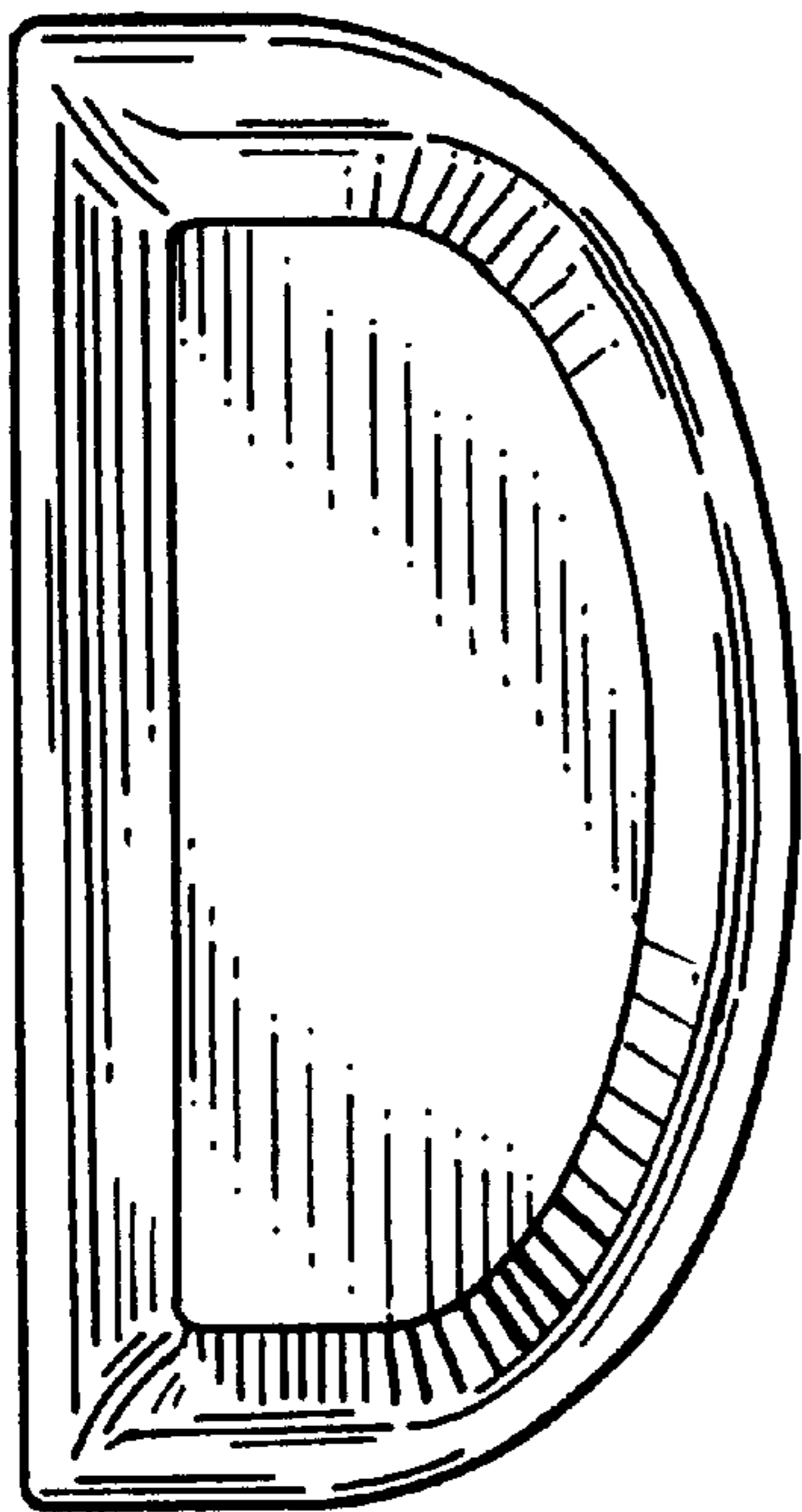


FIG 5

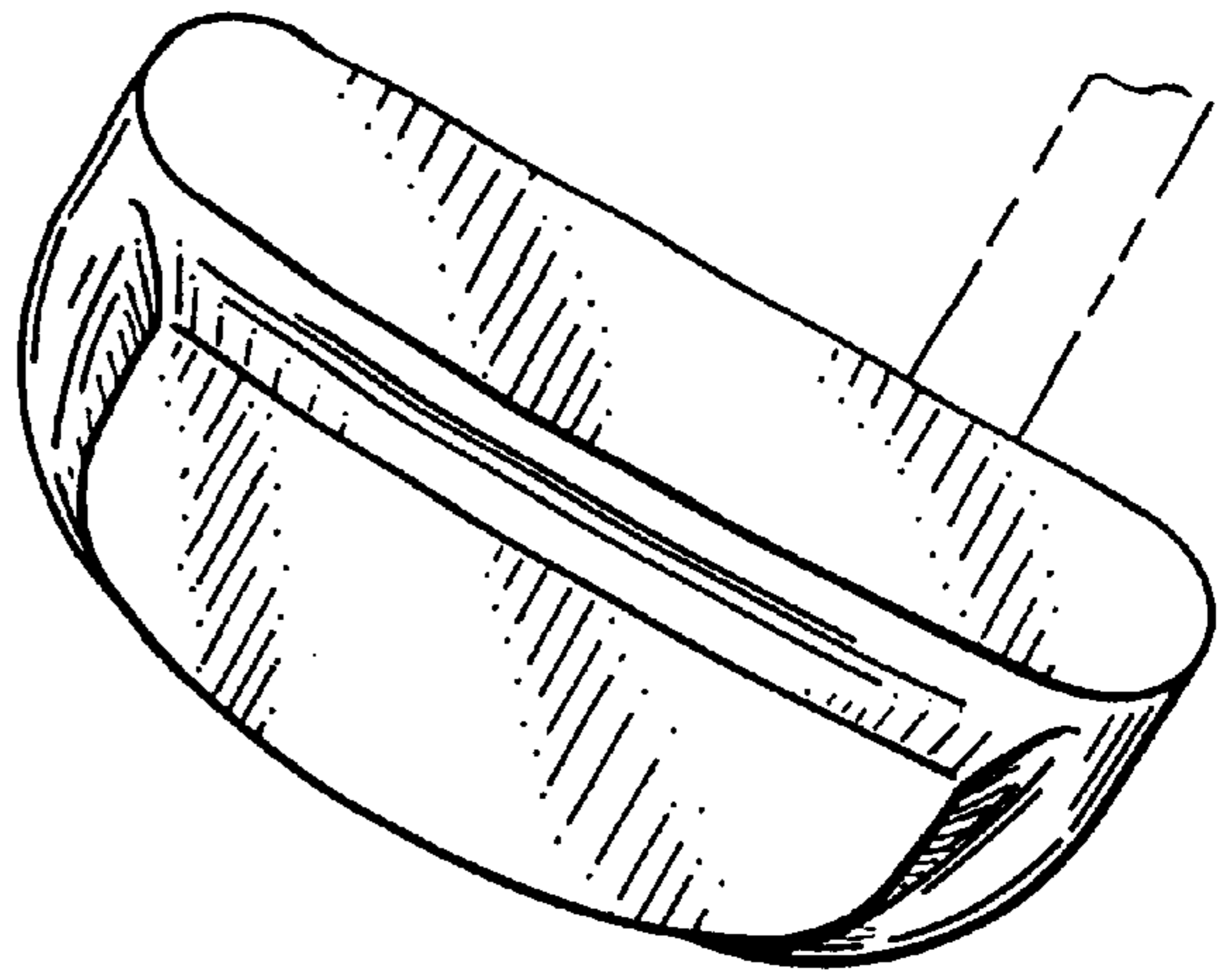
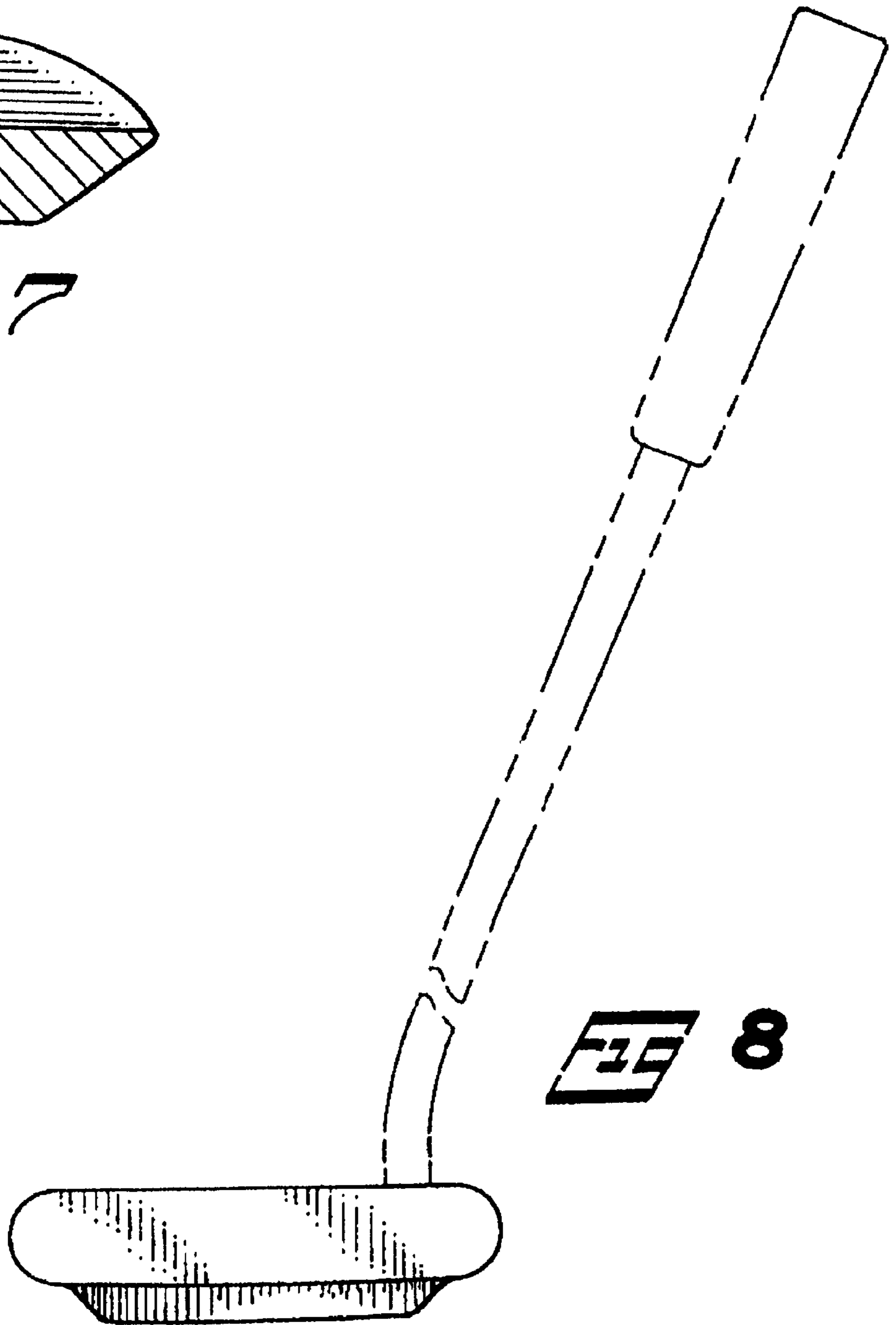
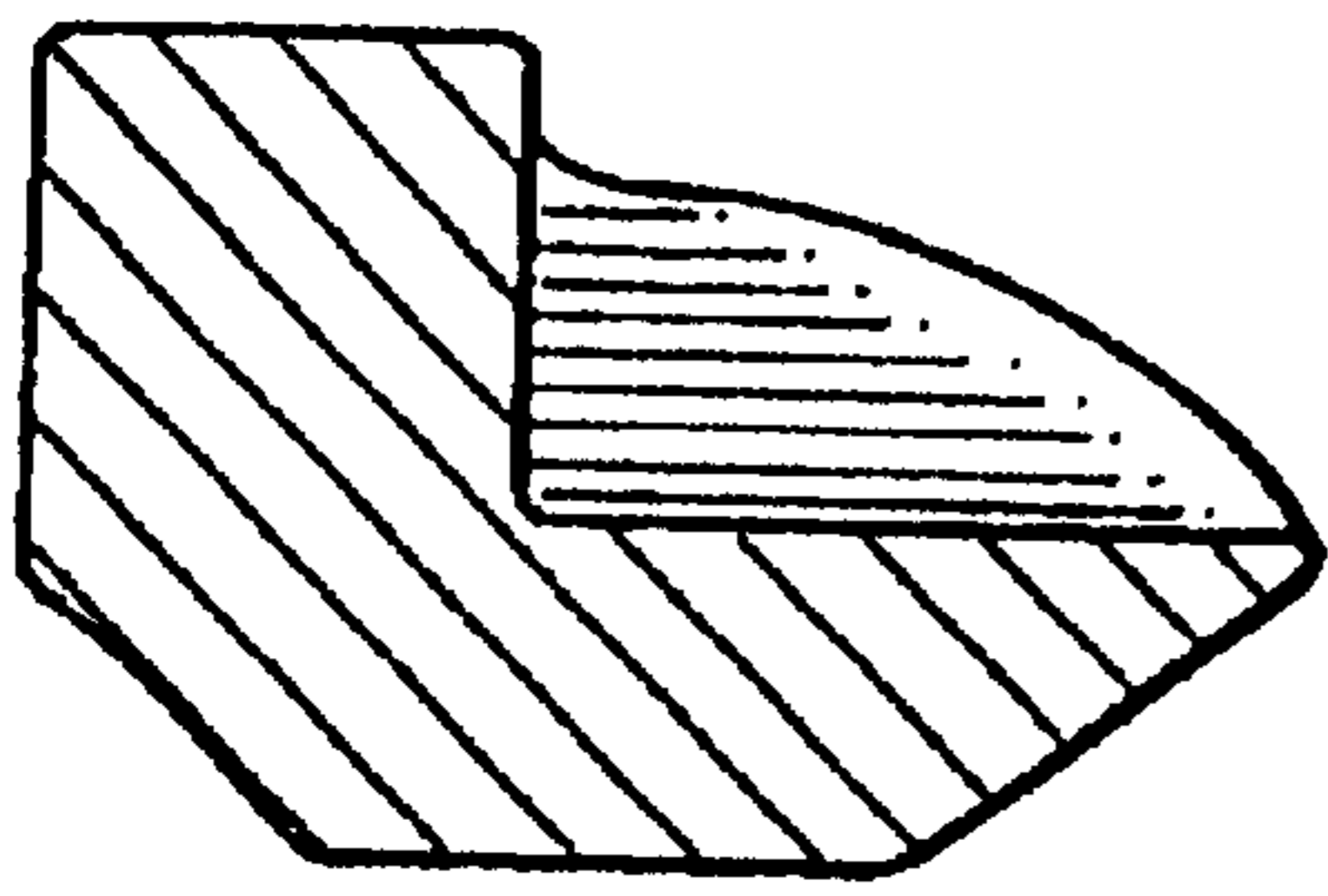


FIG 6



UNITED STATES PATENT AND TRADEMARK OFFICE
CERTIFICATE OF CORRECTION

PATENT NO. : Des. 486,873 S
DATED : February 17, 2004
INVENTOR(S) : Louis E. Sorensen

Page 1 of 3

It is certified that error appears in the above-identified patent and that said Letters Patent is hereby corrected as shown below:

Title page,

Item [57], **DESCRIPTION,**

Line 12, delete "13" and insert -- 7 --.

The title page should be deleted and replaced with the attached title page.

Drawings,

Sheet 1, FIG. 2, delete "13" and insert -- 7 --,

Sheet 1 of 3, please replace with the attached drawing sheet.

Signed and Sealed this

Fifteenth Day of February, 2005

A handwritten signature in black ink on a dotted background. The signature reads "Jon W. Dudas" in a cursive style.

JON W. DUDAS

Director of the United States Patent and Trademark Office

(12) **United States Design Patent**
Sorensen

(10) **Patent No.:** **US D486,873 S**
 (45) **Date of Patent:** **** Feb. 17, 2004**

(54) **GOLF CLUB PUTTER HEAD**

(76) **Inventor:** **Louis E. Sorensen**, 1111 N. Sumac Dr.,
 Janesville, WI (US) 53545

(**) **Term:** **14 Years**

(21) **Appl. No.:** **29/173,277**

(22) **Filed:** **Dec. 26, 2002**

(51) **LOC (7) Cl. 21-02**

(52) **U.S. Cl. D21/743**

(58) **Field of Search D21/736-746;**
 473/324, 327-331, 340, 341, 251-256

(56) **References Cited**

U.S. PATENT DOCUMENTS

D368,751 S	*	4/1996	Rife	D21/745
D379,484 S	*	5/1997	Solheim	D21/745
D396,896 S	*	8/1998	Casteel	D21/742
D402,343 S	*	12/1998	Helmstetter et al.	D21/738
D405,856 S	*	2/1999	Tang et al.	D21/744
D413,951 S	*	9/1999	Storer et al.	D21/744
D434,094 S	*	11/2000	Miyashita	D21/744

* cited by examiner

Primary Examiner—Mitchell Siegel

(74) *Attorney, Agent, or Firm*—Robert T. Johnson

(57) **CLAIM**

I claim the ornamental design for a golf club putter head, as shown and described.

DESCRIPTION

FIG. 1—Front elevational view of first embodiment of ornamental design for golf club putter head.

FIG. 2—Top plan view thereof.

FIG. 3—Rear elevational view thereof.

FIG. 4—Left side elevational view thereof, and the right side elevational view is a mirror image of the left side view thereof.

FIG. 5—Bottom plan view of ornamental golf club putter head; and

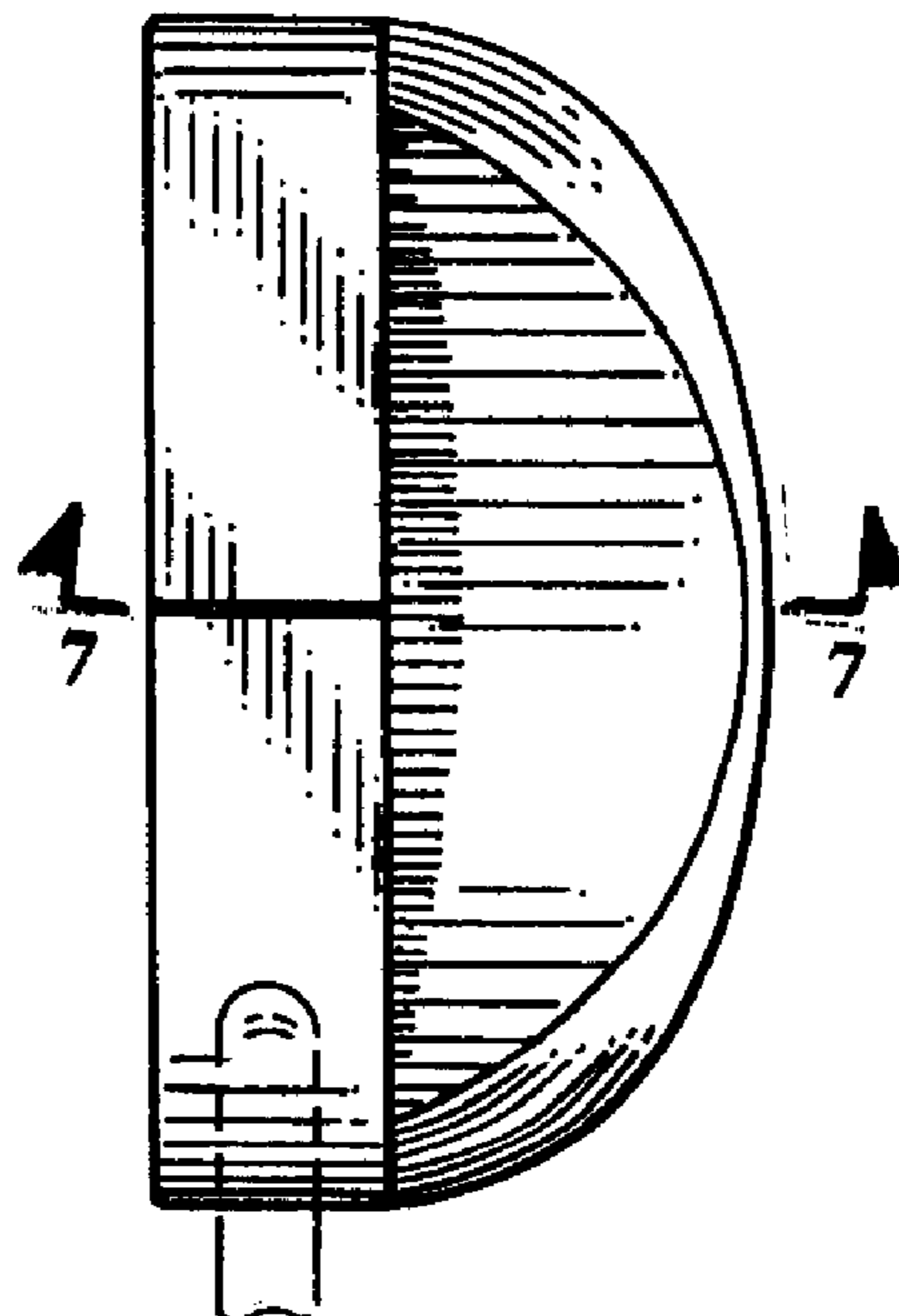
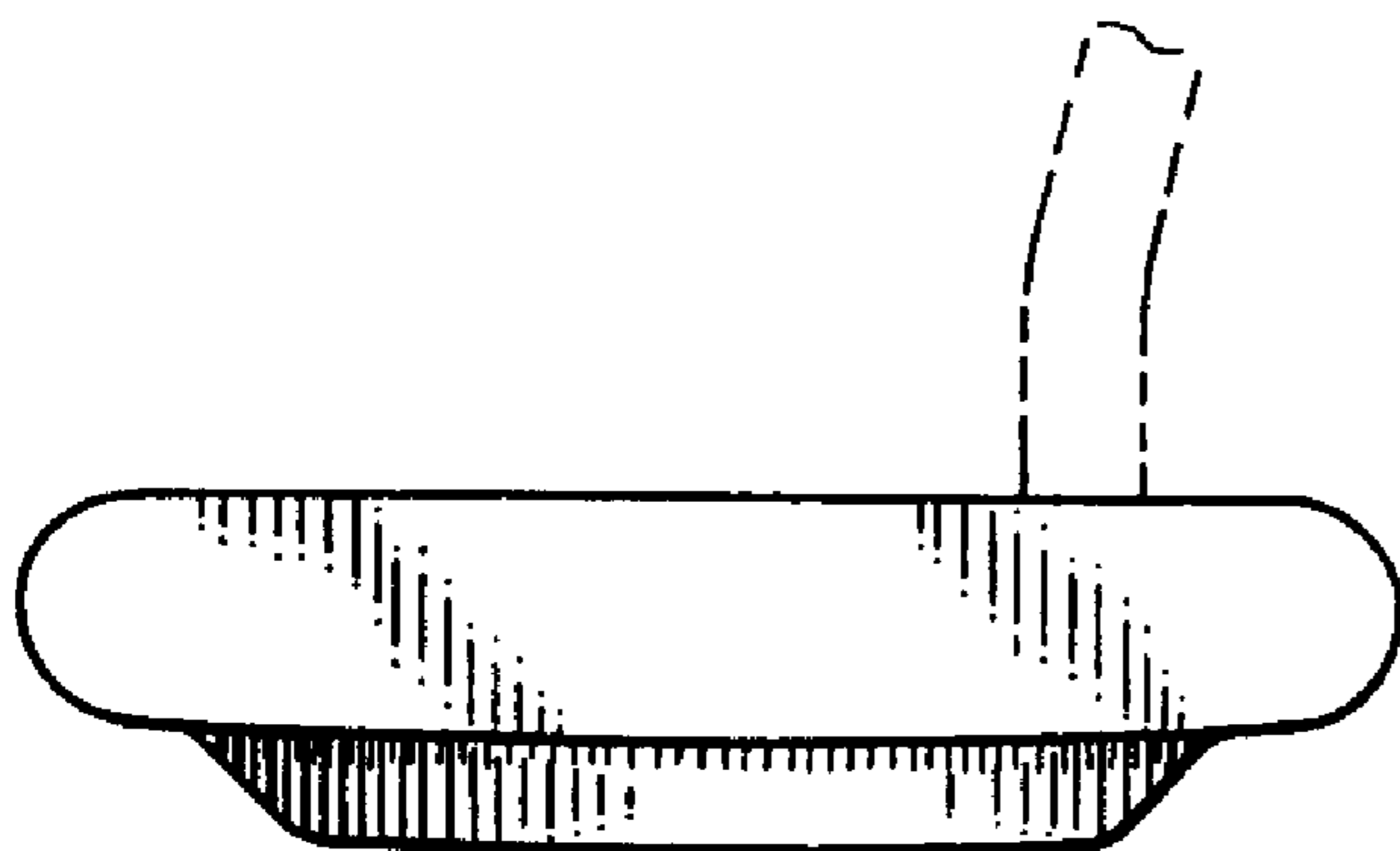
FIG. 6—Perspective bottom plan view for first embodiment of ornamental design for golf club putter head.

FIG. 7—Elevational view of cross section of golf club putter head as shown in FIG. 2 for ornamental design for golf club putter head; and,

FIG. 8—Perspective view of first ornamental design for golf club putter head.

The broken lines shown in FIGS. 1, 2, 3, 4, 6, and 8 in replacement sheet 3/3 are for illustrative purposes only, and form no part of the claimed design.

1 Claim, 3 Drawing Sheets



U.S. Patent

Feb. 17, 2004

Sheet 1 of 3

US D486,873 S

