



US00D486870S

(12) **United States Design Patent**
Mason

(10) **Patent No.:** **US D486,870 S**

(45) **Date of Patent:** **** Feb. 17, 2004**

(54) **CONTINUOUS PASSIVE MOTION DEVICE FOR A SHOULDER OR ELBOW**

6,196,956 B1 * 3/2001 Brown 482/137

* cited by examiner

(75) Inventor: **Jeffrey T. Mason**, Escondido, CA (US)

Primary Examiner—Philip S. Hyder

(73) Assignee: **Breg, Inc.**, Vista, CA (US)

(74) *Attorney, Agent, or Firm*—Rodney F. Brown

(**) Term: **14 Years**

(57) **CLAIM**

(21) Appl. No.: **29/170,254**

The ornamental design for a continuous passive motion device for a shoulder or elbow, as shown.

(22) Filed: **Nov. 1, 2002**

DESCRIPTION

(51) **LOC (7) Cl.** **21-02**

The article is a continuous passive motion device used for rehabilitative treatment of a shoulder or elbow by providing range of motion exercise to the involved joint of a patient. FIG. 1 is a front perspective view of a continuous passive motion device for a shoulder or elbow showing my design; FIG. 2 is a front elevational view thereof; FIG. 3 is a rear elevational view thereof; FIG. 4 is a side elevational view thereof; FIG. 5 is an opposite side elevational view thereof; FIG. 6 is a top plan view thereof; and, FIG. 7 is a bottom plan view thereof.

(52) **U.S. Cl.** **D21/662; D21/686**

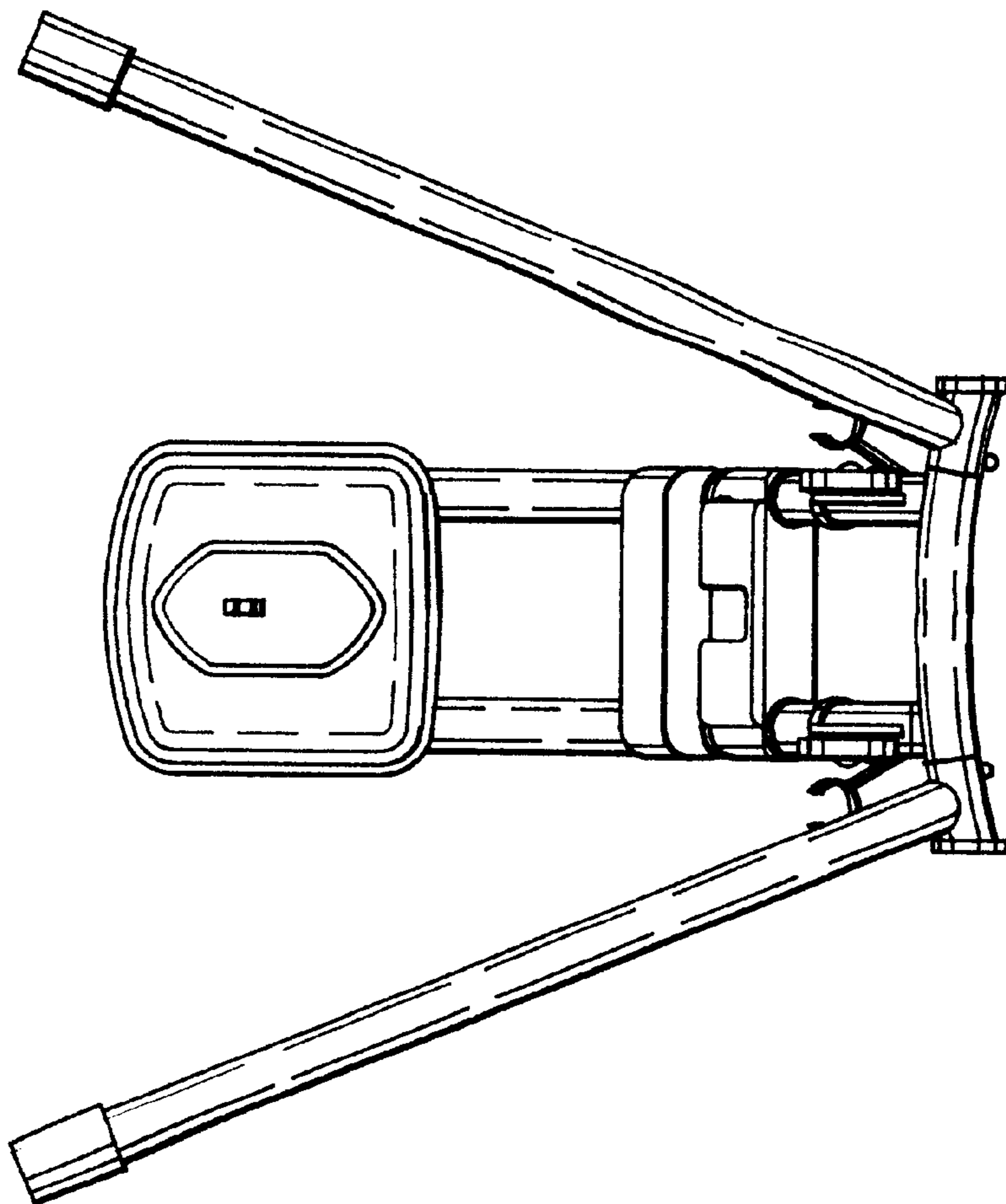
(58) **Field of Search** D21/662, 677, D21/684, 686, 691; D24/188; 482/91, 92, 133, 135, 136, 137; 601/33

(56) **References Cited**

U.S. PATENT DOCUMENTS

- D304,058 S * 10/1989 Carlson et al. D21/677
- 5,080,350 A * 1/1992 Schofield et al. 482/132
- 5,558,624 A * 9/1996 Hepburn et al. 601/33
- 5,645,521 A * 7/1997 Hepburn et al. 601/33
- 6,036,624 A * 3/2000 Cascini 482/97

1 Claim, 6 Drawing Sheets



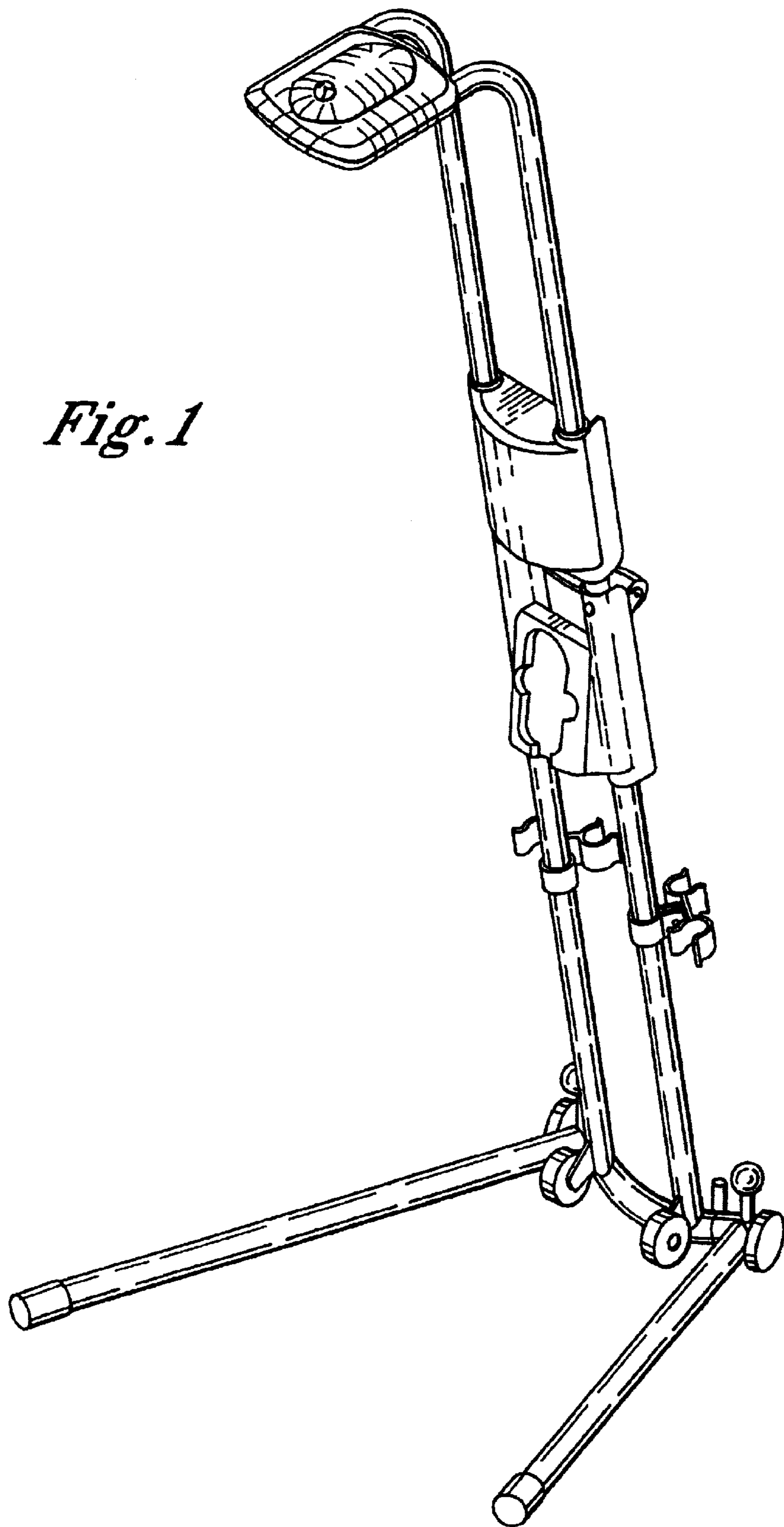


Fig. 2

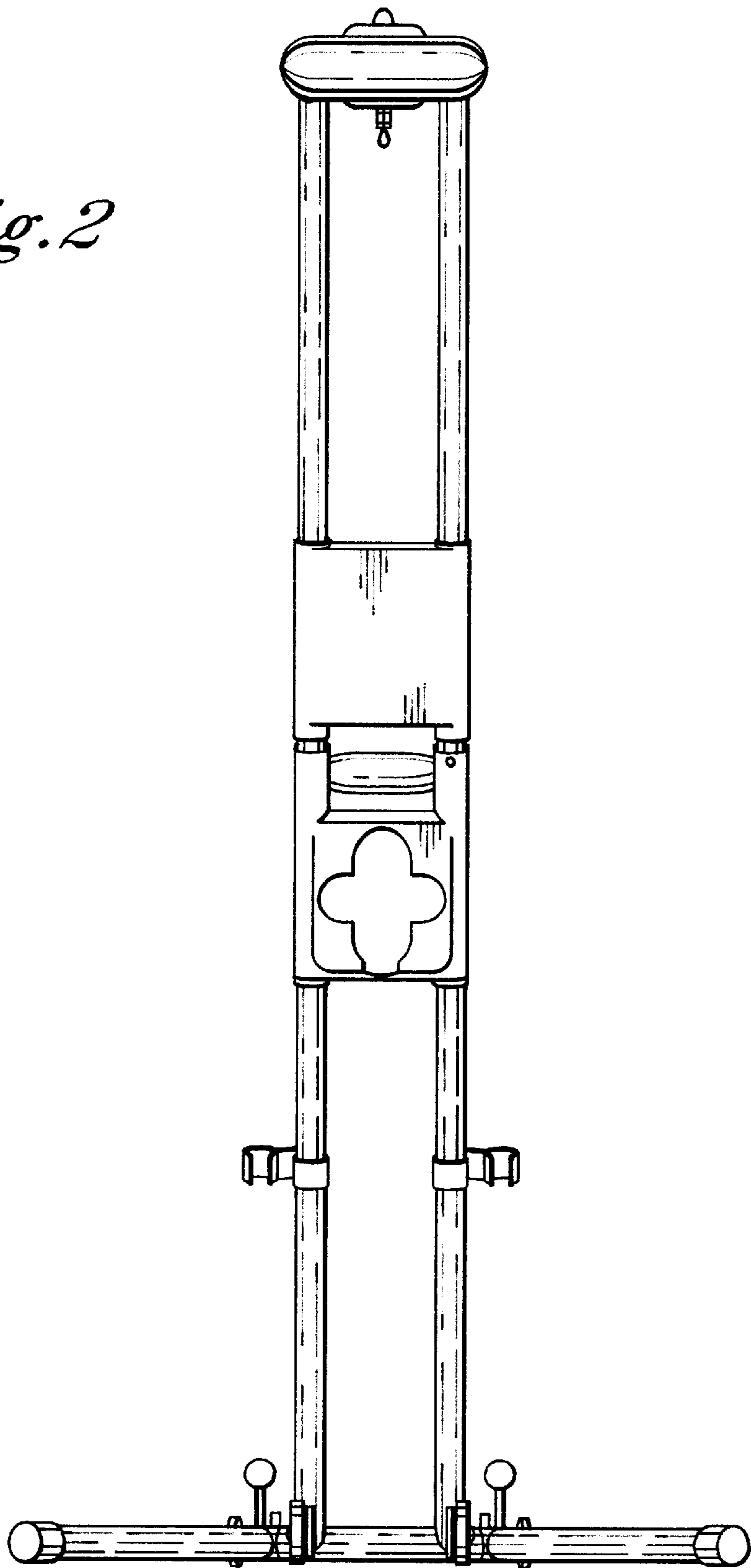


Fig. 3

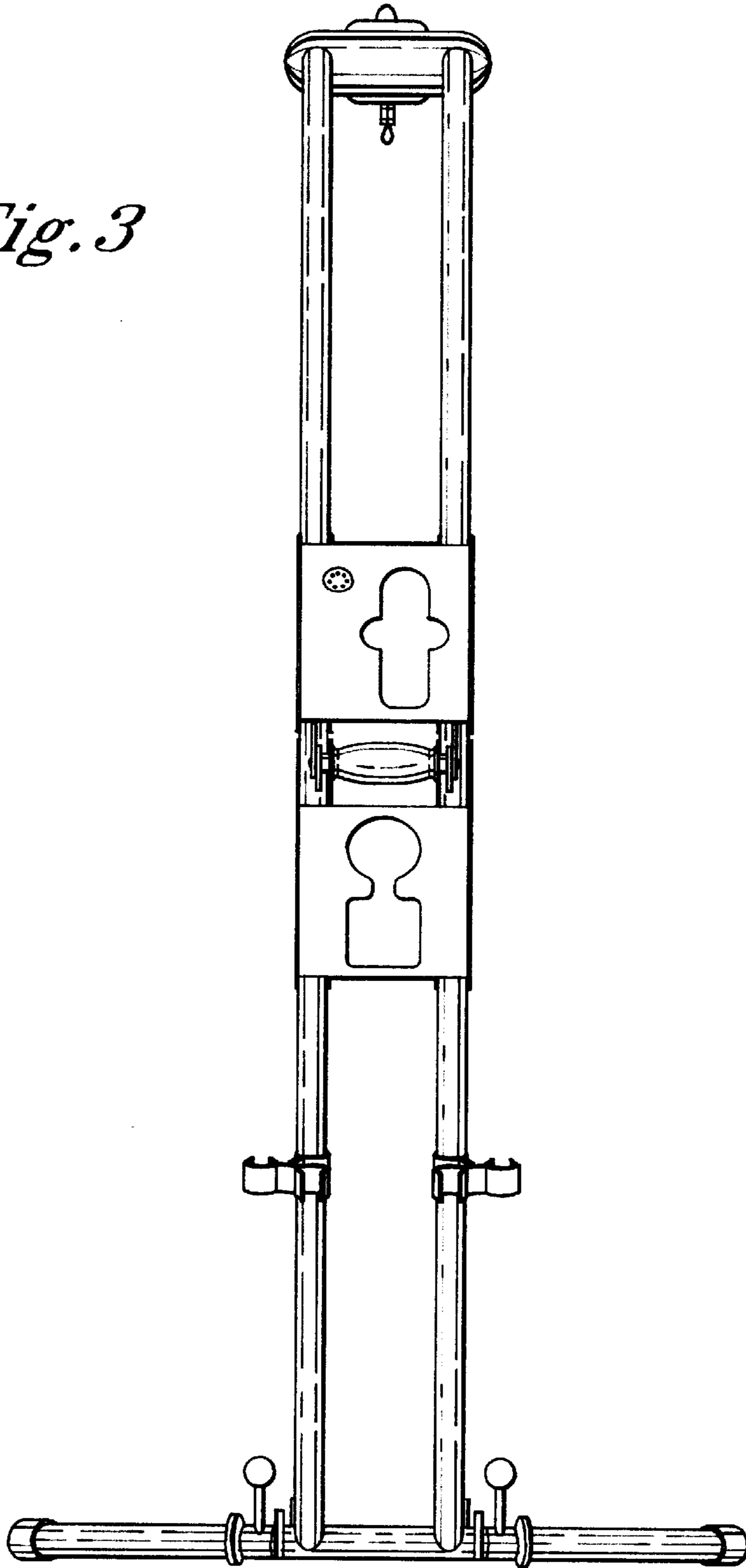
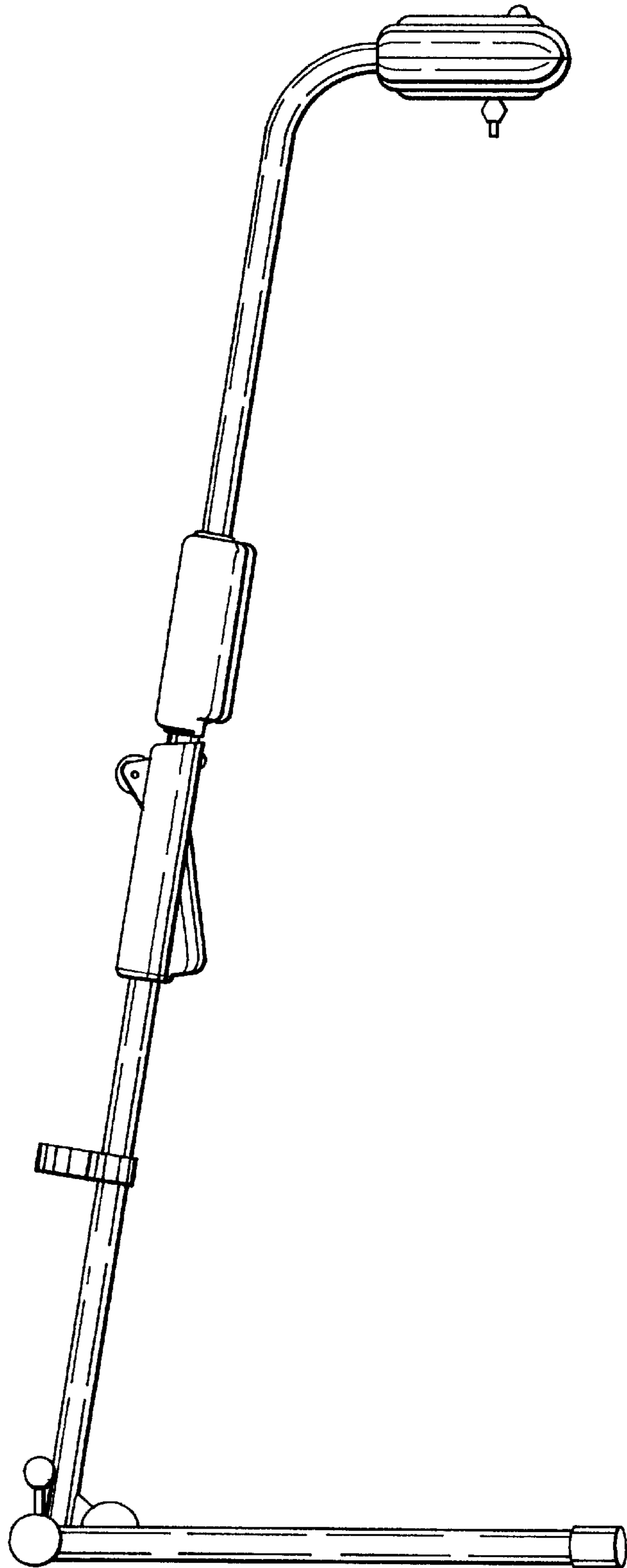


Fig. 4



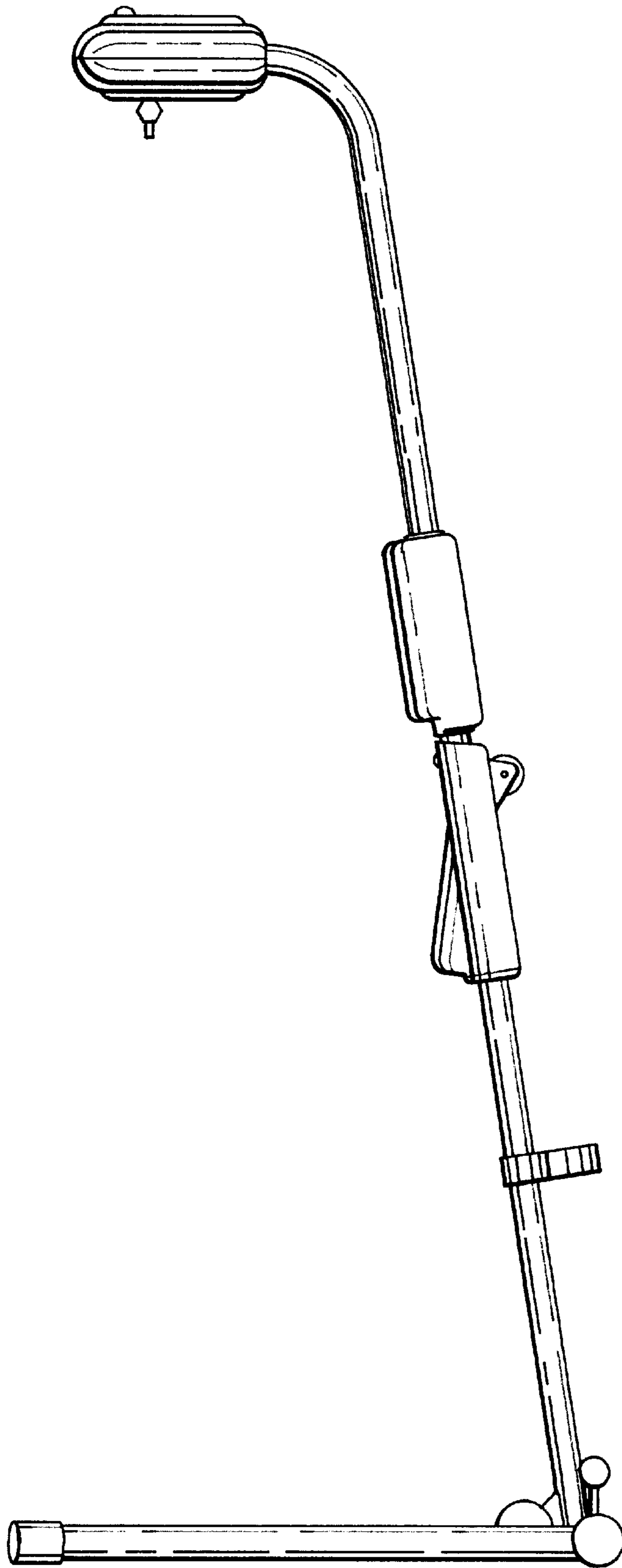


Fig. 5

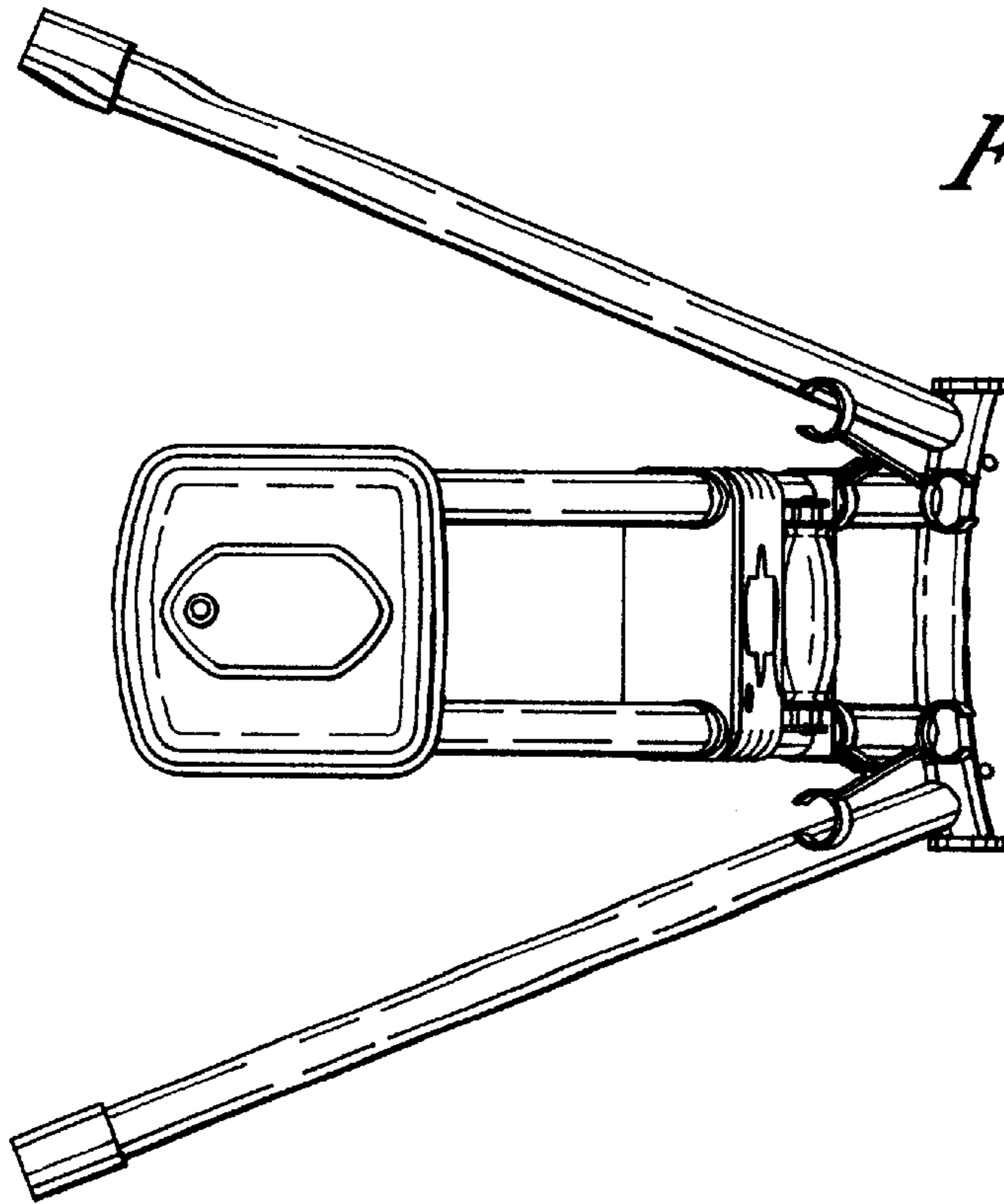


Fig. 6

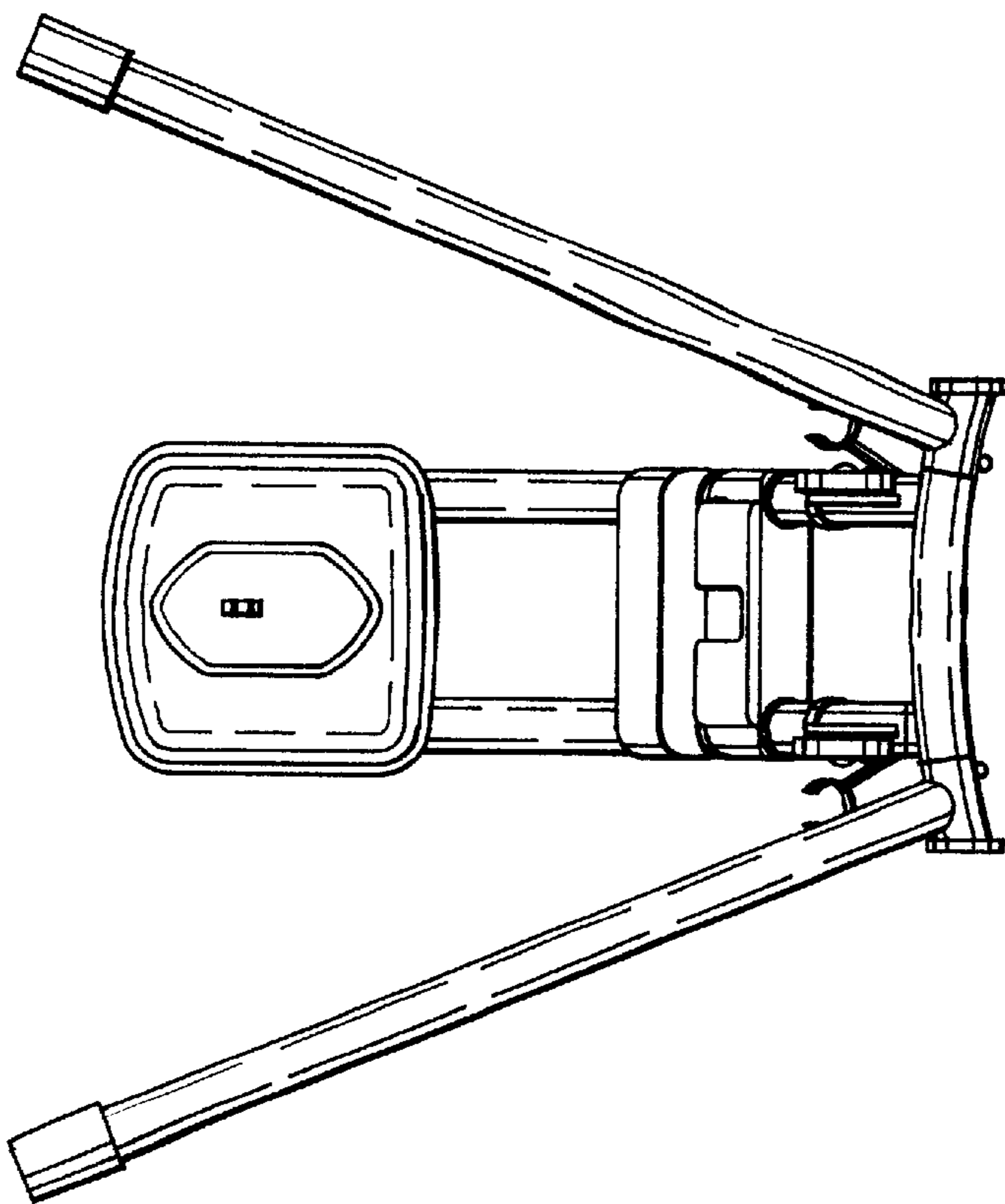


Fig. 7