



US00D486869S

(12) **United States Design Patent** (10) **Patent No.:** **US D486,869 S**
Webb et al. (45) **Date of Patent:** **** Feb. 17, 2004**

(54) **WHEEL AND REEL DISPLAY FOR A GAMING DEVICE**

(75) Inventors: **Bayard S. Webb**, Sparks, NV (US);
Steven P. McGahn, Reno, NV (US)

(73) Assignee: **IGT**, Reno, NV (US)

(**) Term: **14 Years**

(21) Appl. No.: **29/167,551**

(22) Filed: **Sep. 16, 2002**

(51) **LOC (7) Cl.** **21-03**

(52) **U.S. Cl.** **D21/370; D21/371**

(58) **Field of Search** **D21/325, 329, D21/369-371, 374, 385; 273/138.1; 463/16-17, 20, 46-47**

(56) **References Cited**

U.S. PATENT DOCUMENTS

5,152,529 A 10/1992 Okada
D392,340 S 3/1998 DeSimone
D400,597 S 11/1998 Hedrick et al.

(List continued on next page.)

OTHER PUBLICATIONS

Slot Machines, by Marshall Fey. Copyright 1983. p. 93, Mills 1900, left.*

(List continued on next page.)

Primary Examiner—Sandra L. Morris

(74) *Attorney, Agent, or Firm*—Bell, Boyd & Lloyd LLC

(57) **CLAIM**

The ornamental design for a wheel and reel display for a gaming device, as shown and described.

DESCRIPTION

FIG. 1 is a front perspective view of the wheel and reel display for a gaming device of our new design, that portion of the gaming device shown in phantom is not part of the design sought to be patented and is provided for environmental purposes only;

FIG. 2 is a left side elevation view of the wheel and reel display for a gaming device of our new design, the right side being a mirror image thereof;

FIG. 3 is a top plan view of the wheel and reel display for a gaming device of our new design;

FIG. 4 is a front perspective view of the wheel and reel display for a gaming device of our new design, that portion of the alternative configuration of the gaming device shown in phantom is not part of the design sought to be patented and is provided for environmental purposes only;

FIG. 5 is a left side elevation view of the wheel and reel display for a gaming device of our new design illustrated in of FIG. 4, the right side being a mirror image thereof;

FIG. 6 is a top plan view of the wheel and reel display for a gaming device of our new design illustrated in of FIG. 4;

FIG. 7 is a front perspective view of an alternative embodiment of the wheel and reel display for a gaming device of our new design, that portion of the gaming device shown in phantom is not part of the design sought to be patented and is provided for environmental purposes only;

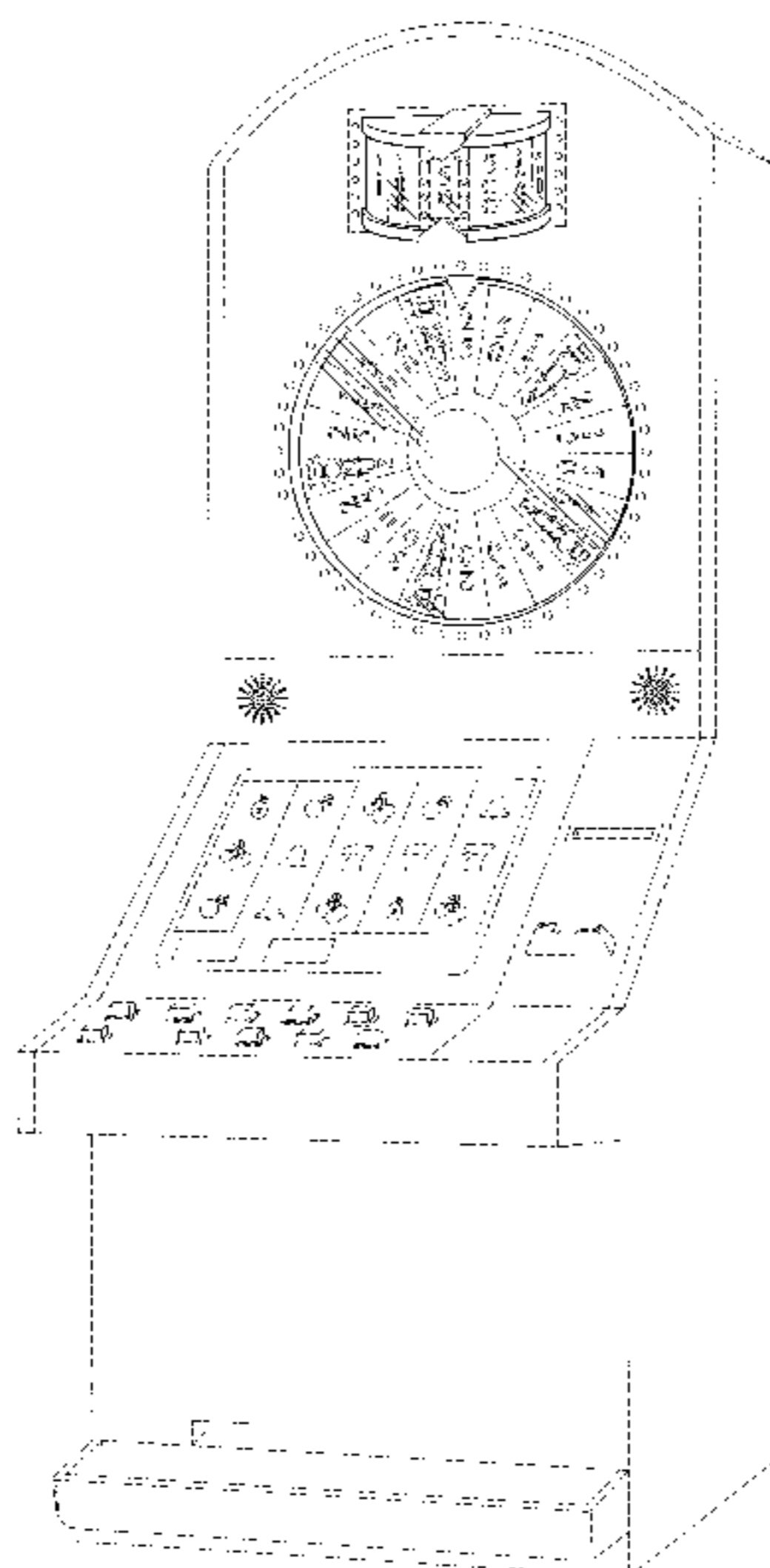
FIG. 8 is a left side elevation view of the alternative embodiment of the wheel and reel display for a gaming device of our new design illustrated in of FIG. 7, the right side being a mirror image thereof;

FIG. 9 is a front perspective view of an alternative embodiment of the wheel and reel display for a gaming device of our new design, that portion of the gaming device shown in phantom is not part of the design sought to be patented and is provided for environmental purposes only;

FIG. 10 is a left side elevation view of the alternative embodiment of the wheel and reel display for a gaming device of our new design illustrated in of FIG. 9, the right side being a mirror image thereof; and,

FIG. 11 is a top plan view of the alternative embodiment of the wheel and reel display for a gaming device of our new design illustrated in of FIG. 9.

1 Claim, 11 Drawing Sheets



U.S. PATENT DOCUMENTS

D404,084 S 1/1999 Hedrick et al.
D406,615 S 3/1999 Griswold et al.
D406,865 S 3/1999 Heidel
6,105,962 A 8/2000 Malavazos et al.
6,142,873 A 11/2000 Weiss et al.
6,224,483 B1 * 5/2001 Mayeroff 463/20
6,334,814 B1 * 1/2002 Adams 463/20
6,336,863 B1 * 1/2002 Baerlocher et al. 463/20
D472,586 S * 4/2003 Wichinsky D21/375

OTHER PUBLICATIONS

Double Diamond Girls written by A.C. Coin and Slot Services Company, published in 2002.
Mill Vest Pocket written by Horizontal Spinning Reels, published in 1940.

Monster Match written by A.C. Coin and Slot Services Company, published in 2002.

On the Money written by Casino Data Systems, published in 2000.

Wheel of Fortune® Video Slots (website) written by IGT, printed Mar. 21, 2001.

Wheel of Fortune Brochure written by IGT, published in 1999.

Wheel of Fortune Brochure written by IGT, published in 1998.

Wheel of Fortune Slots Brochure written by IGT, published in 2002.

What's Happening at IGT Article written by IGT, published prior to 2002.

* cited by examiner

FIG. 1

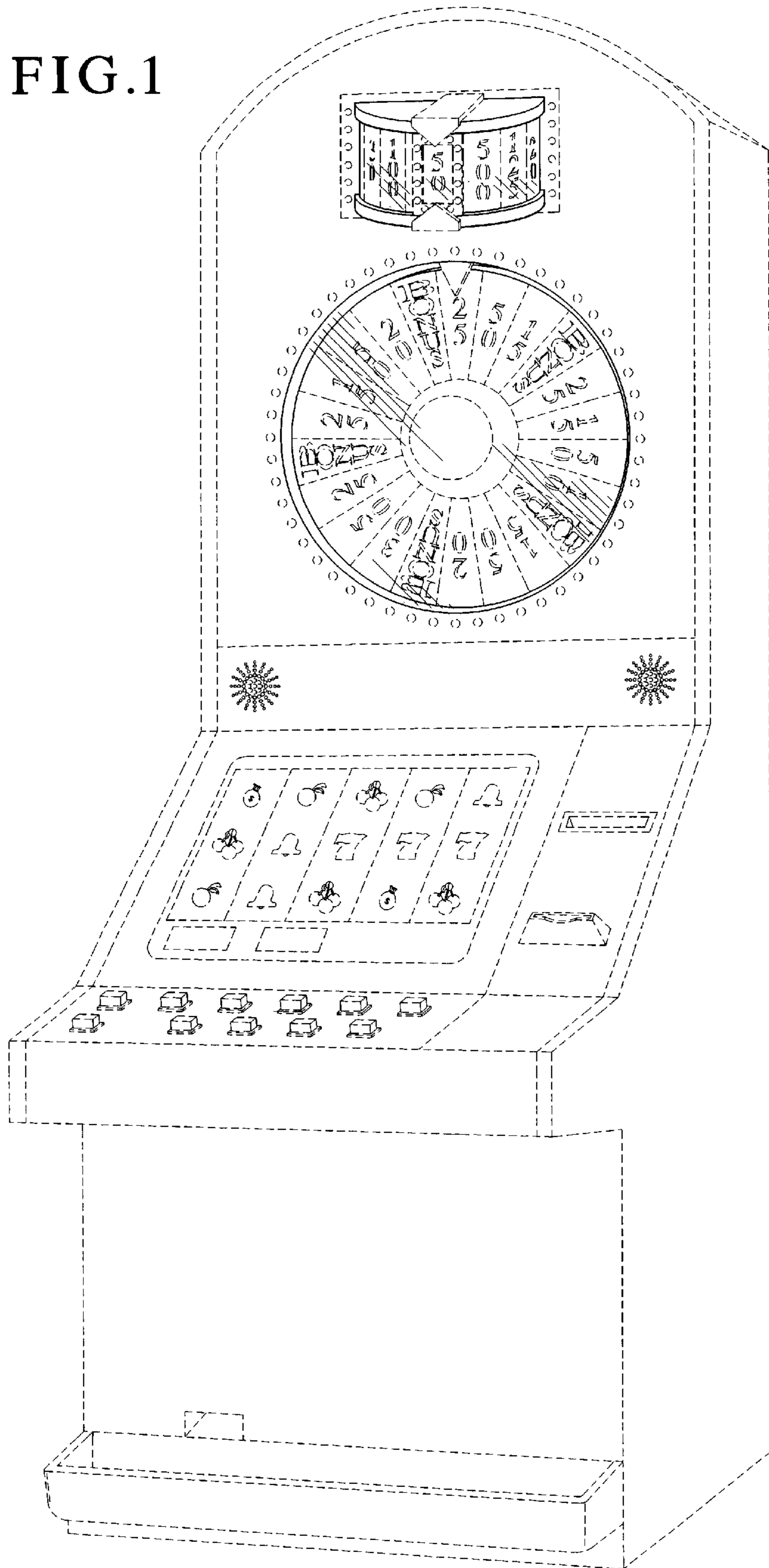


FIG. 2

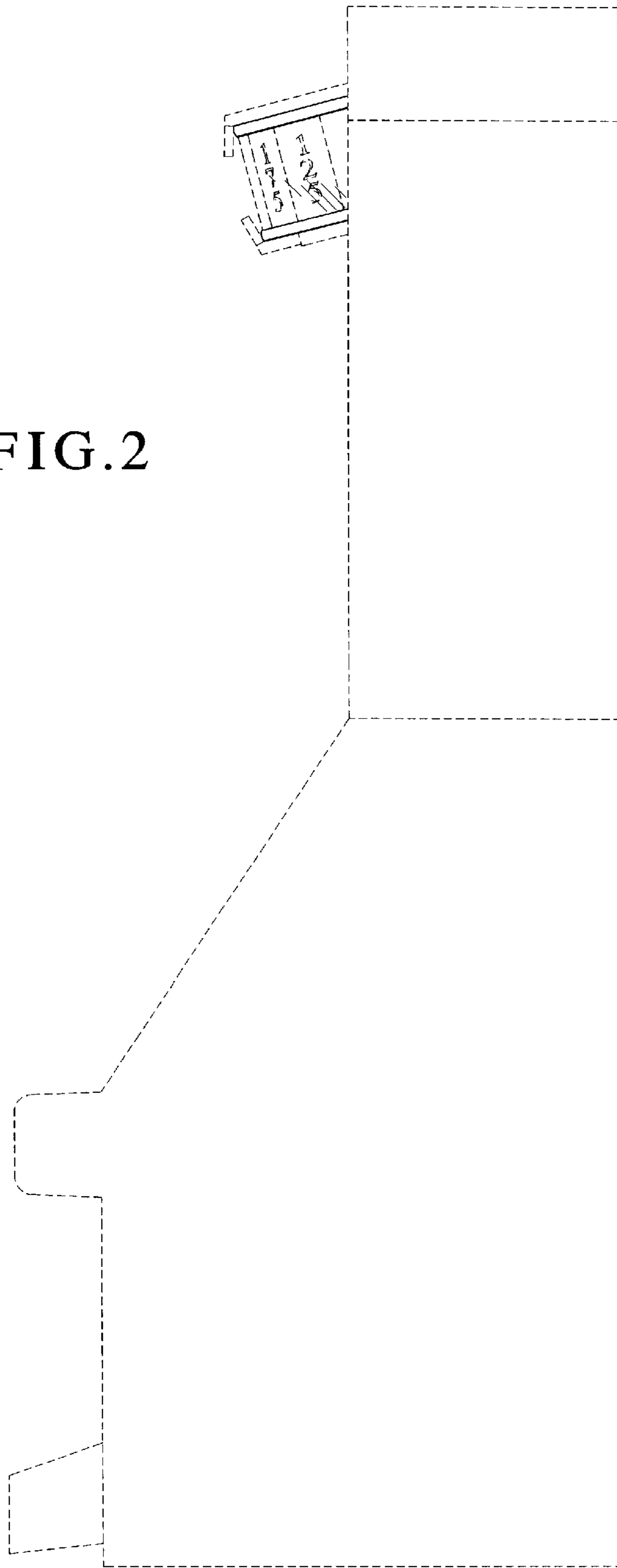


FIG. 3

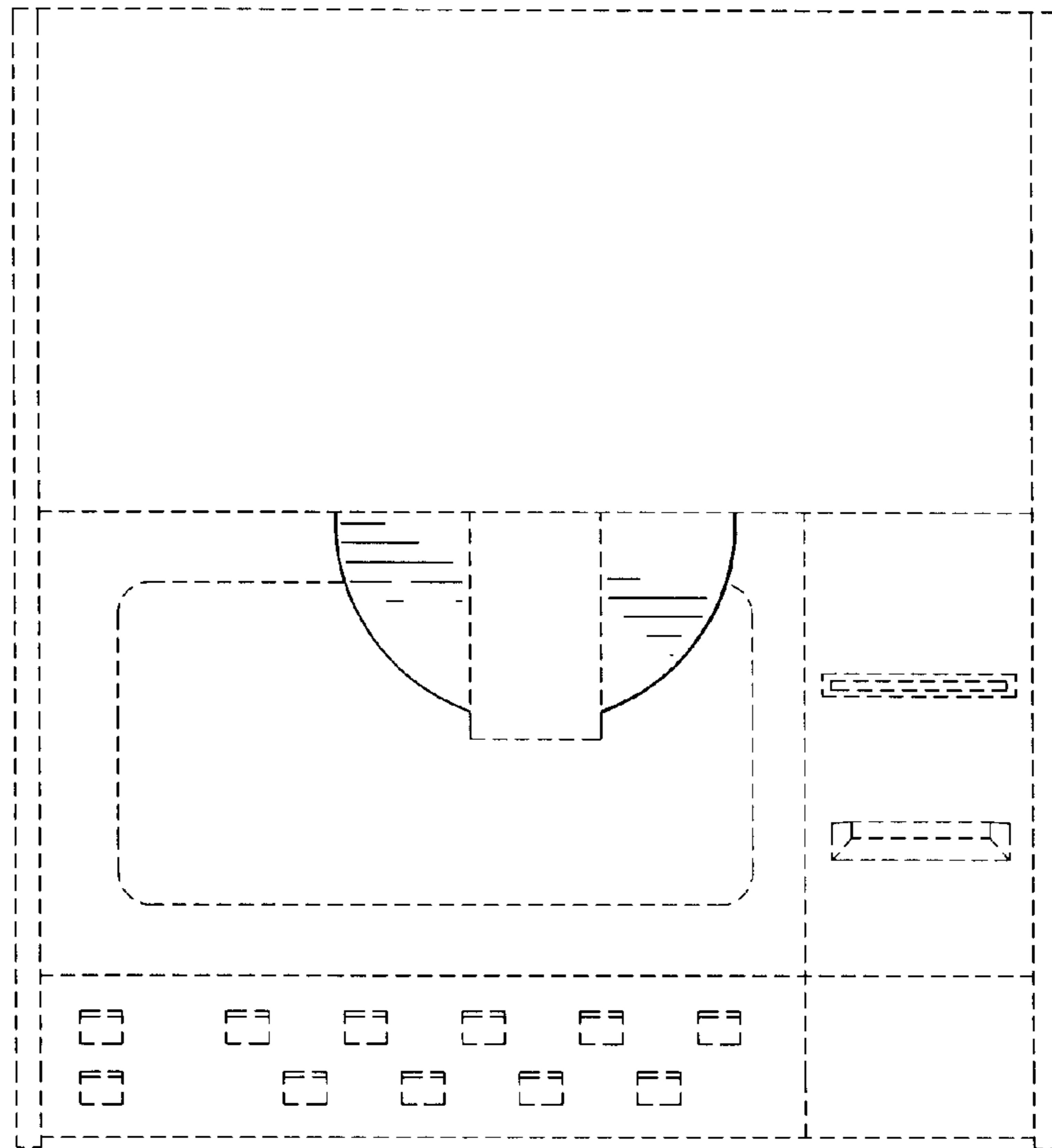


FIG. 4

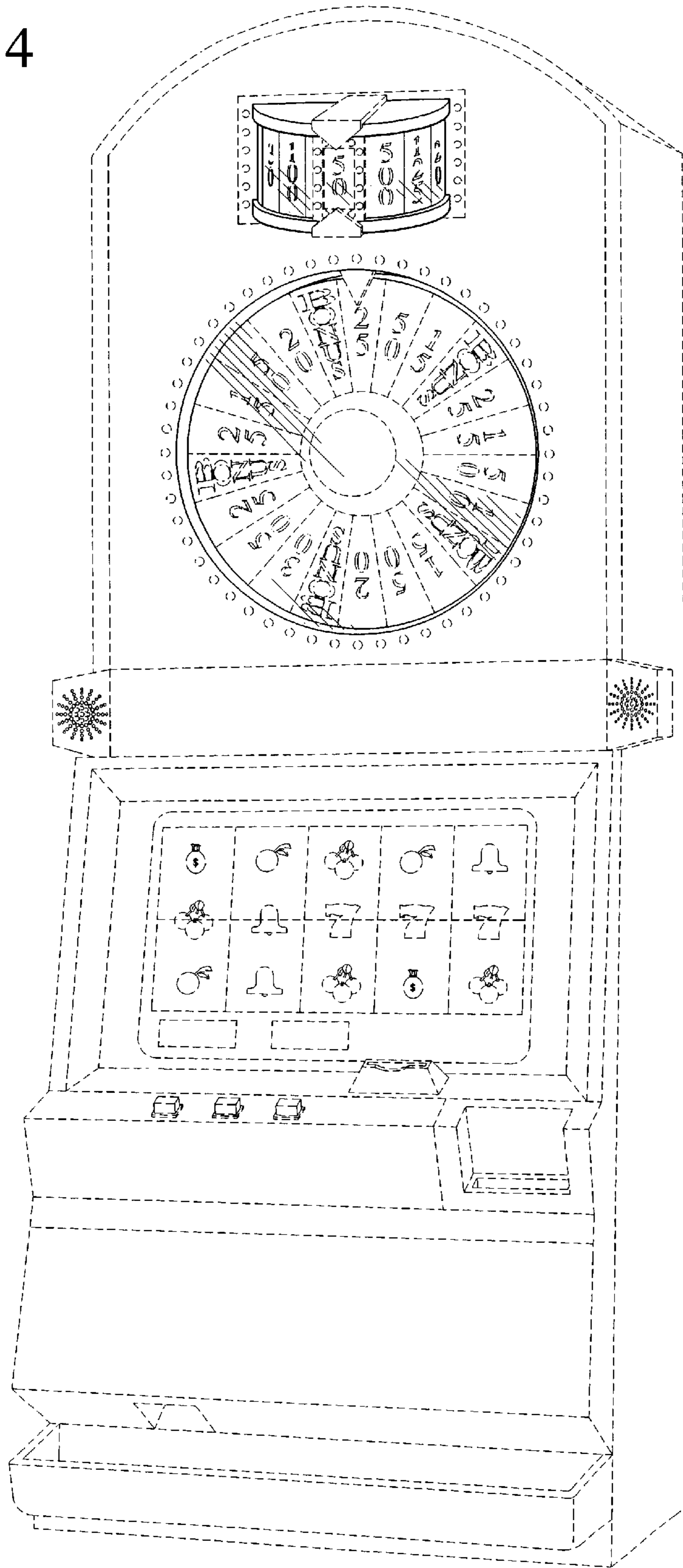


FIG. 5

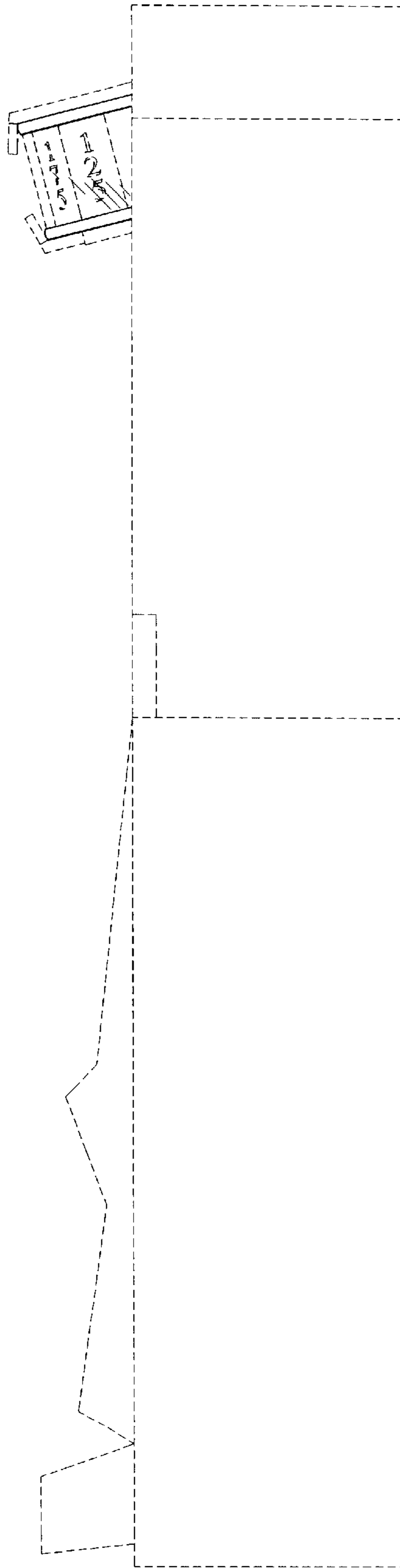


FIG. 6

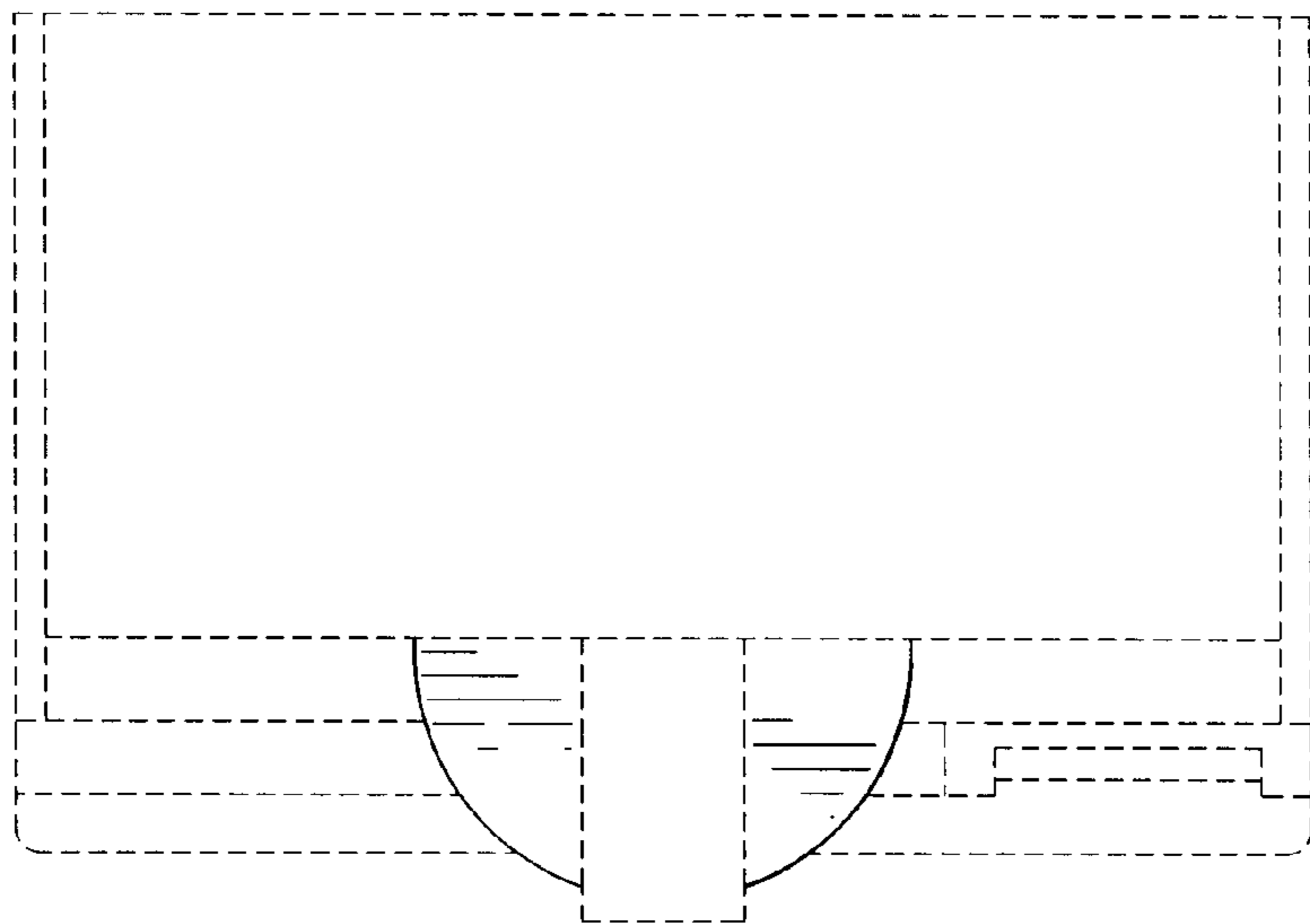


FIG. 7

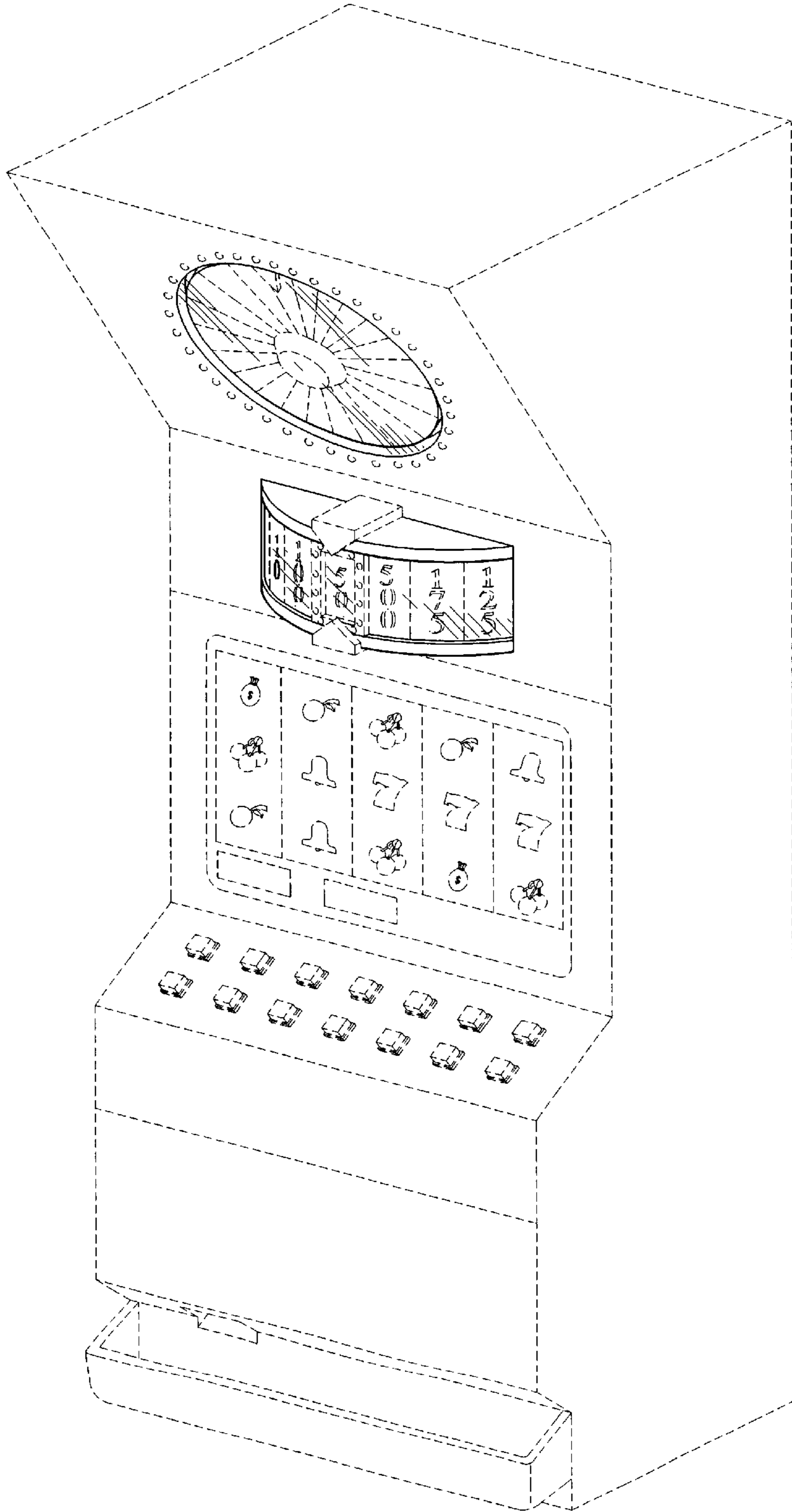


FIG. 8

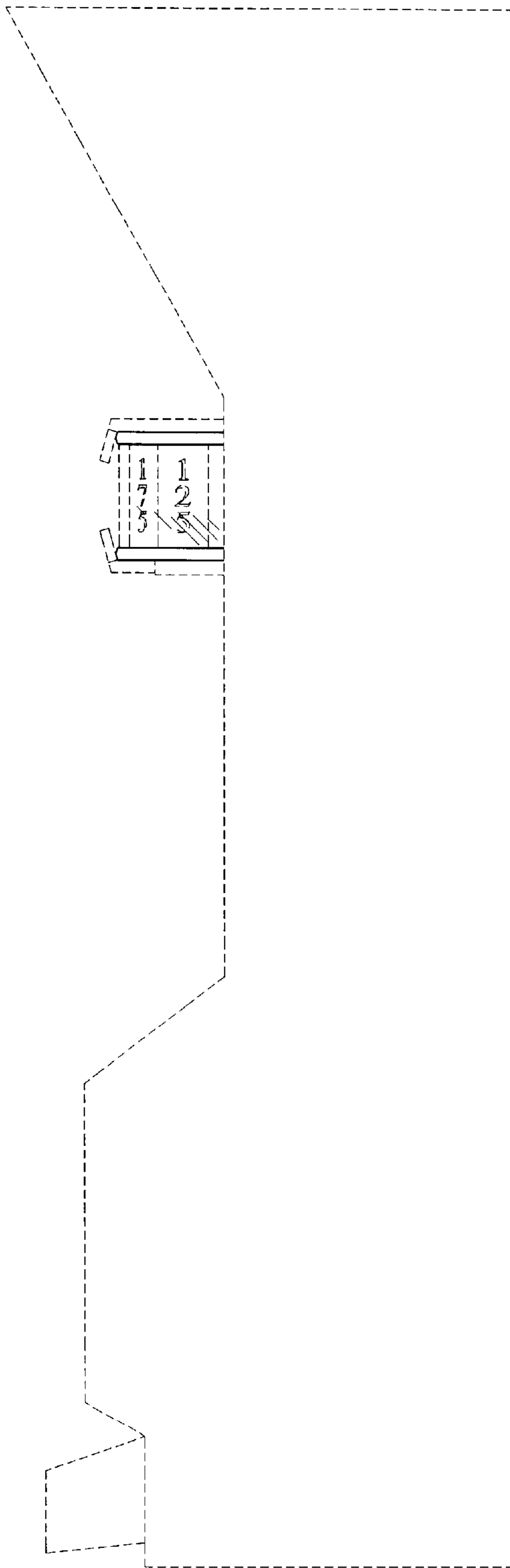


FIG. 9

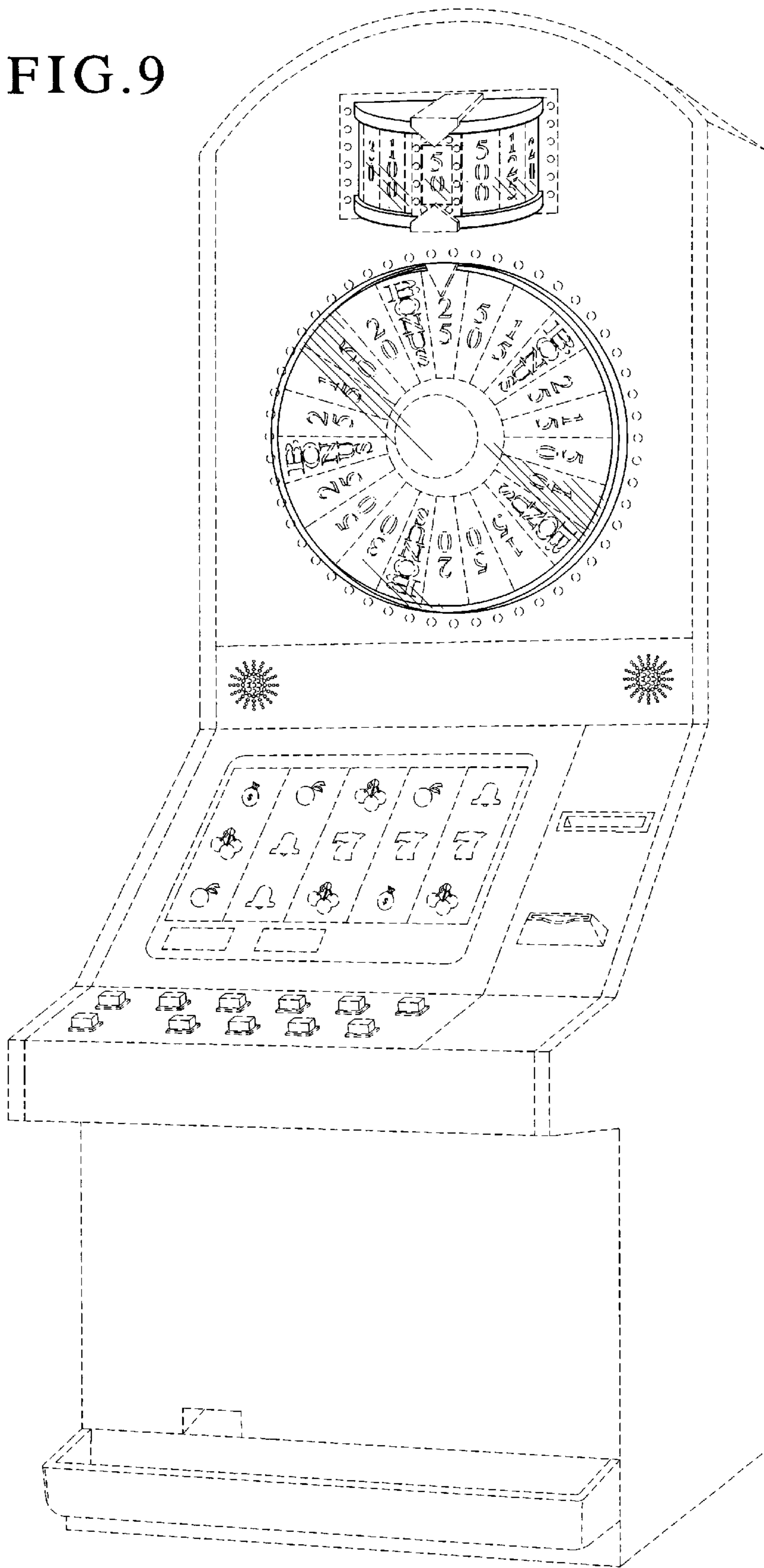


FIG. 10

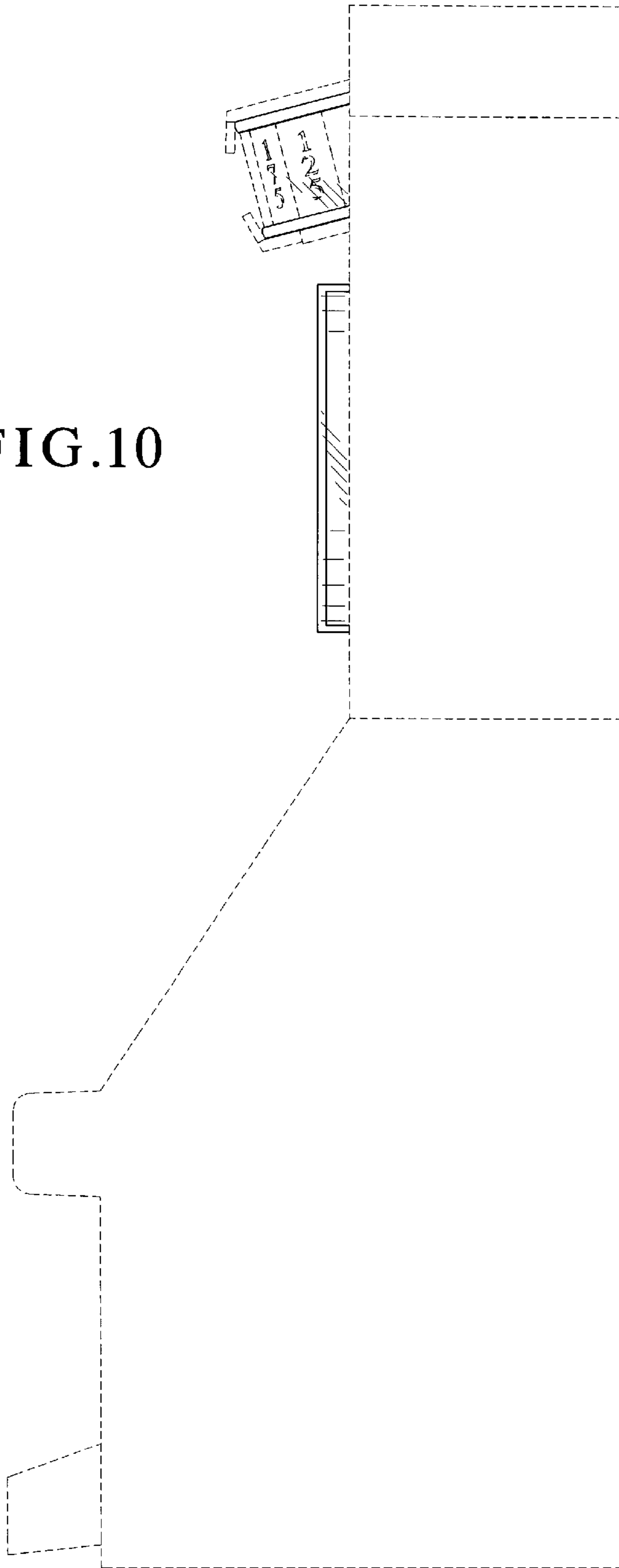
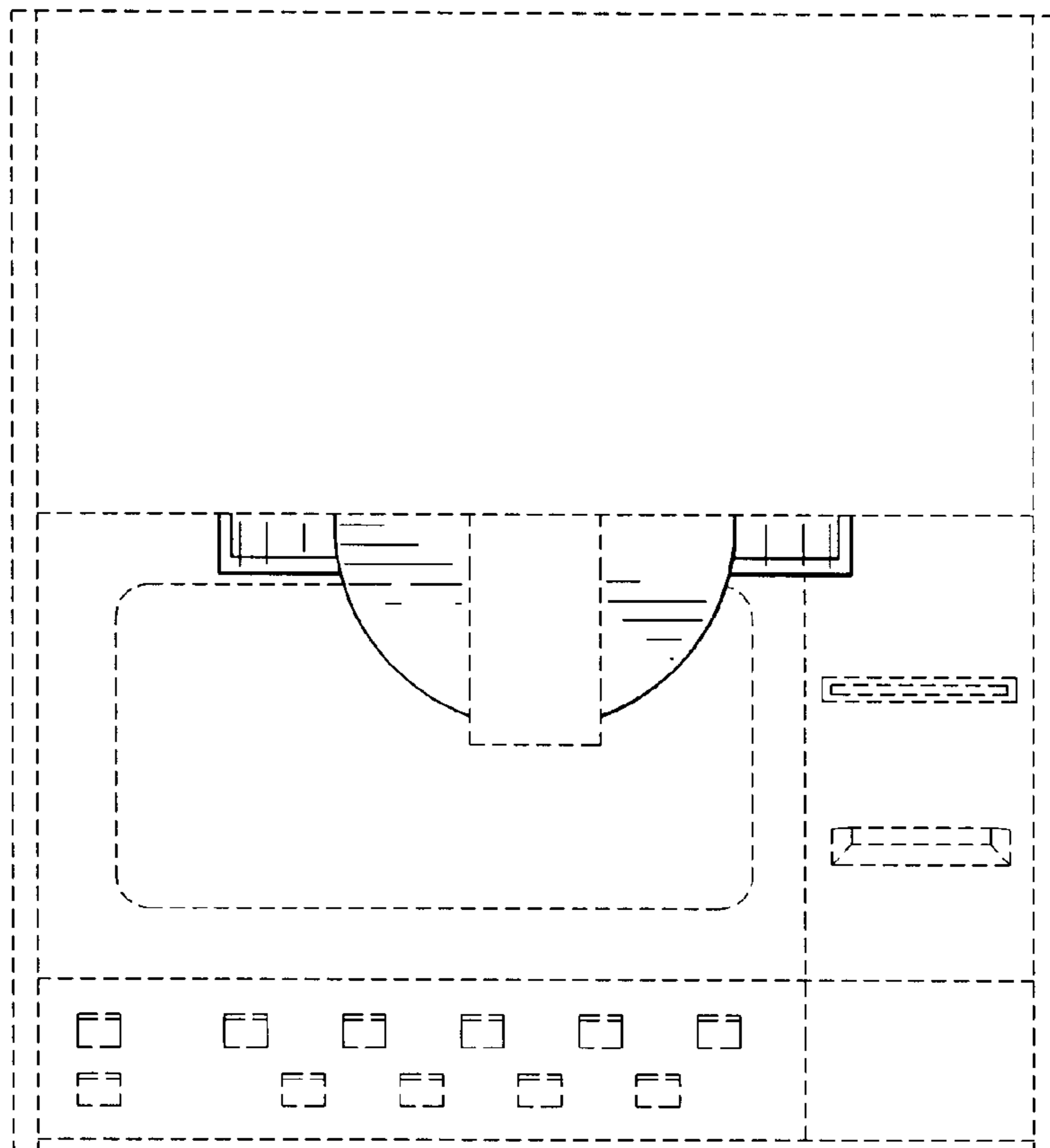


FIG. 11



UNITED STATES PATENT AND TRADEMARK OFFICE
CERTIFICATE OF CORRECTION

PATENT NO. : Des. 486,869 S
DATED : February 17, 2004
INVENTOR(S) : Webb et al.

Page 1 of 1

It is certified that error appears in the above-identified patent and that said Letters Patent is hereby corrected as shown below:

Title page,

Item [57], **DESCRIPTION,**

FIG. 5, line 2, change "illustrated in of" to -- illustrated in --.

FIG. 6, line 2, change "illustrated in of" to -- illustrated in --.

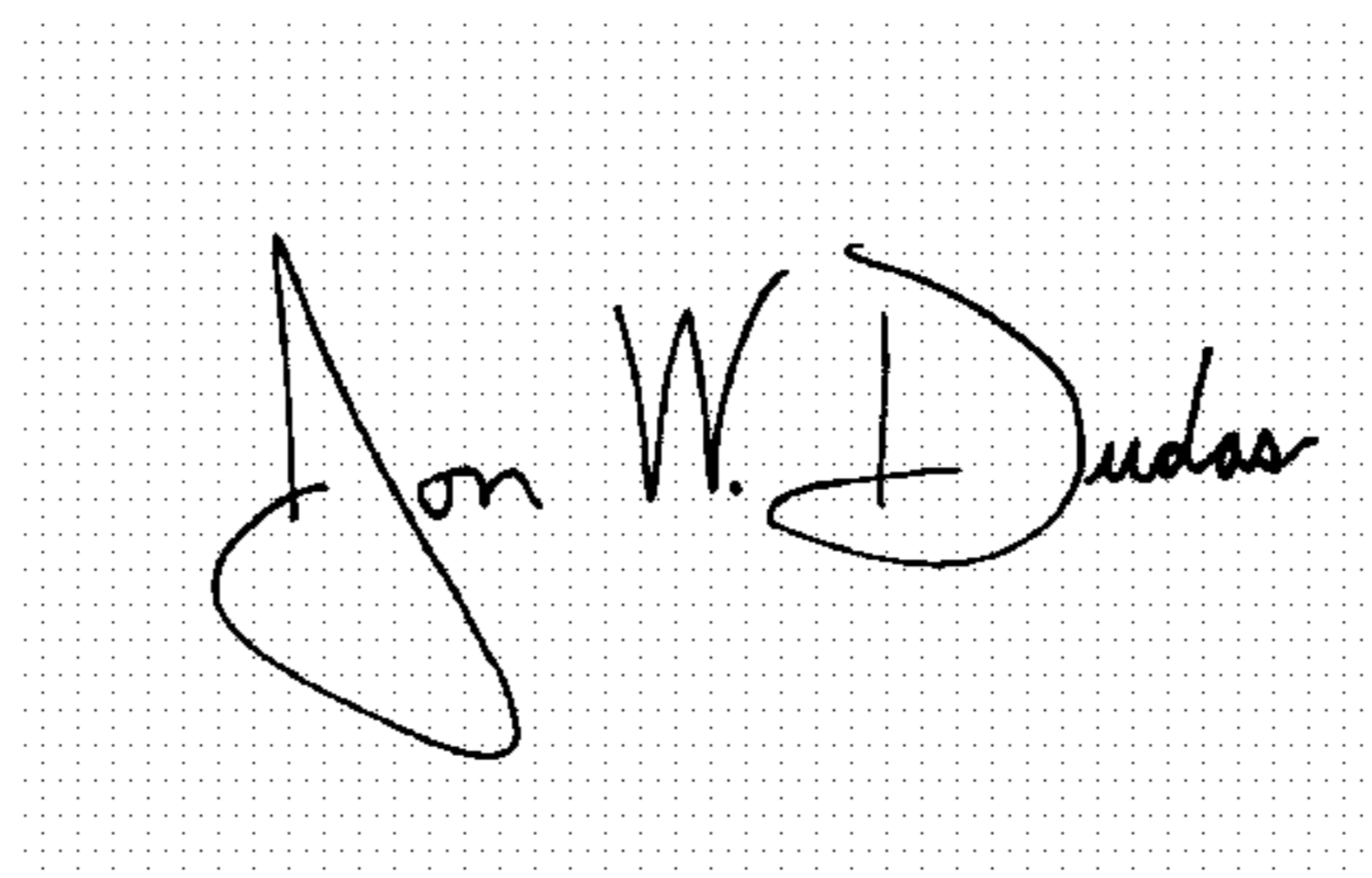
FIG. 8, line 3, change "illustrated in of" to -- illustrated in --.

FIG. 10, line 3, change "illustrated in of" to -- illustrated in --.

FIG. 11, line 3, change "illustrated in of" to -- illustrated in --.

Signed and Sealed this

Twenty-second Day of June, 2004

A handwritten signature in black ink on a dotted grid background. The signature reads "Jon W. Dudas" in a cursive style.

JON W. DUDAS

Acting Director of the United States Patent and Trademark Office