



US00D486867S

(12) **United States Design Patent**  
**Lee et al.**

(10) **Patent No.:** **US D486,867 S**

(45) **Date of Patent:** **\*\* Feb. 17, 2004**

(54) **RACING HELMET ILLUMINATED DISPLAY**

(75) Inventors: **Michael Lee**, Baltimore, MD (US); **Raf Vanreusel**, Reistertown, MD (US)

(73) Assignee: **PTC International**, Baltimore, MD (US)

(\*\*) Term: **14 Years**

(21) Appl. No.: **29/170,109**

(22) Filed: **Nov. 1, 2002**

(51) **LOC (7) Cl.** ..... **20-03**

(52) **U.S. Cl.** ..... **D20/29**

(58) **Field of Search** ..... D11/133, 134,  
D11/136; D20/10, 12, 23, 29, 32, 33, 40,  
42, 99; 40/545, 581, 612; 362/222, 223,  
228

(56) **References Cited**

**U.S. PATENT DOCUMENTS**

- D256,186 S \* 8/1980 Danat et al. .... D11/238
- D334,598 S \* 4/1993 Burgess ..... D20/40
- D360,056 S \* 7/1995 Tamez ..... D28/67
- D379,222 S \* 5/1997 Kuo ..... D23/411

- D421,066 S \* 2/2000 Nieder ..... D20/41
- D430,214 S \* 8/2000 Palmer ..... D19/75
- D446,630 S \* 8/2001 Lieberman ..... D2/870
- D475,416 S \* 6/2003 Henshaw et al. .... D20/29

\* cited by examiner

*Primary Examiner*—Robert M. Spear

(74) *Attorney, Agent, or Firm*—McGuire Woods LLP

(57) **CLAIM**

We claim the ornamental design for a racing helmet illuminated display, as shown and described.

**DESCRIPTION**

FIG. 1 is a back elevational view of a racing helmet illuminated display.

FIG. 2 is an enlarged bottom plan view of the display.

FIG. 3 is a front elevational view of the display.

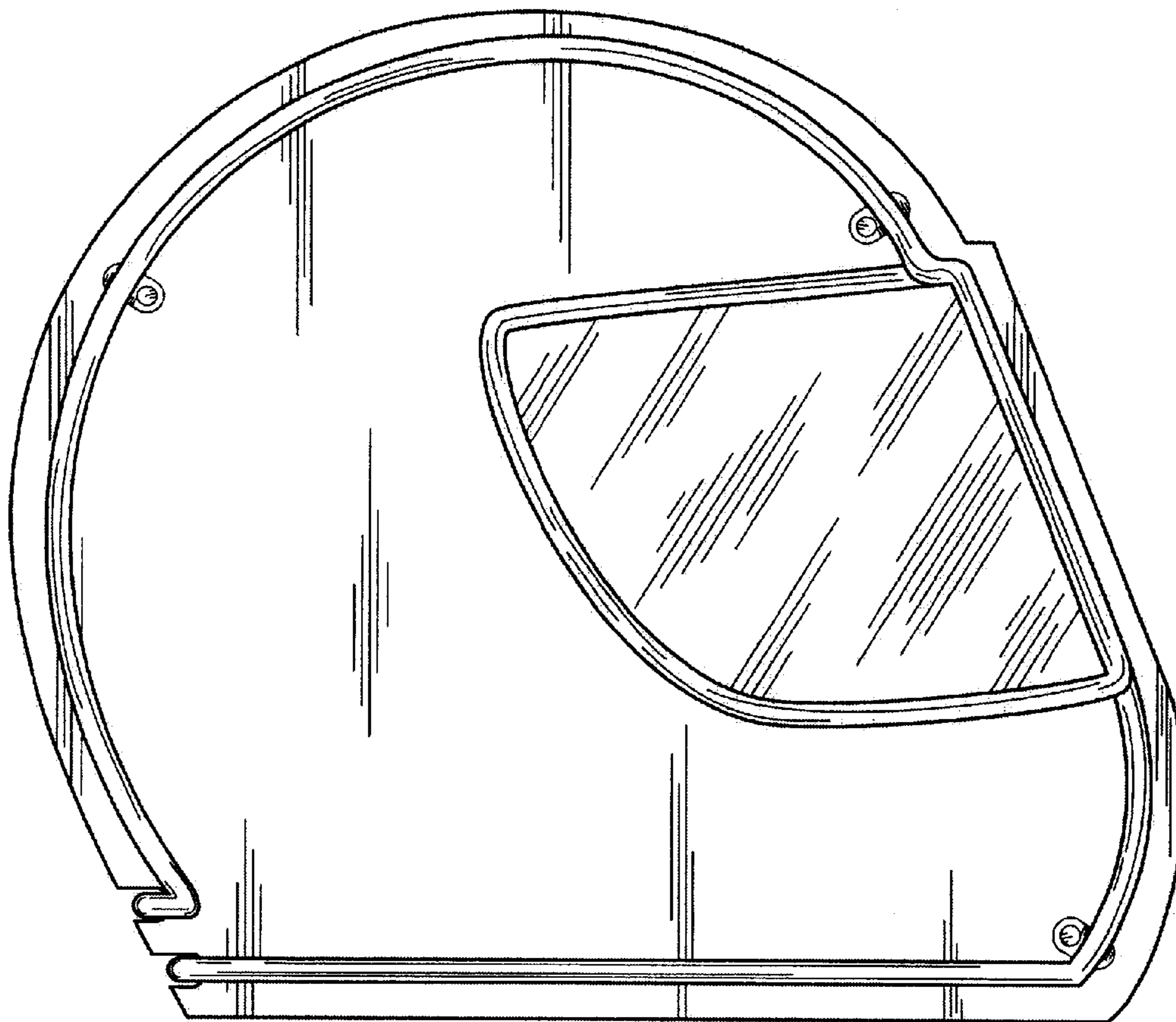
FIG. 4 is a top plan view of the display.

FIG. 5 is an enlarged side elevational view of the display; and,

FIG. 6 is an enlarged opposite side elevational view of the display.

The broken lines in the drawings depict environmental structure, which forms no part of the claimed design.

**1 Claim, 6 Drawing Sheets**



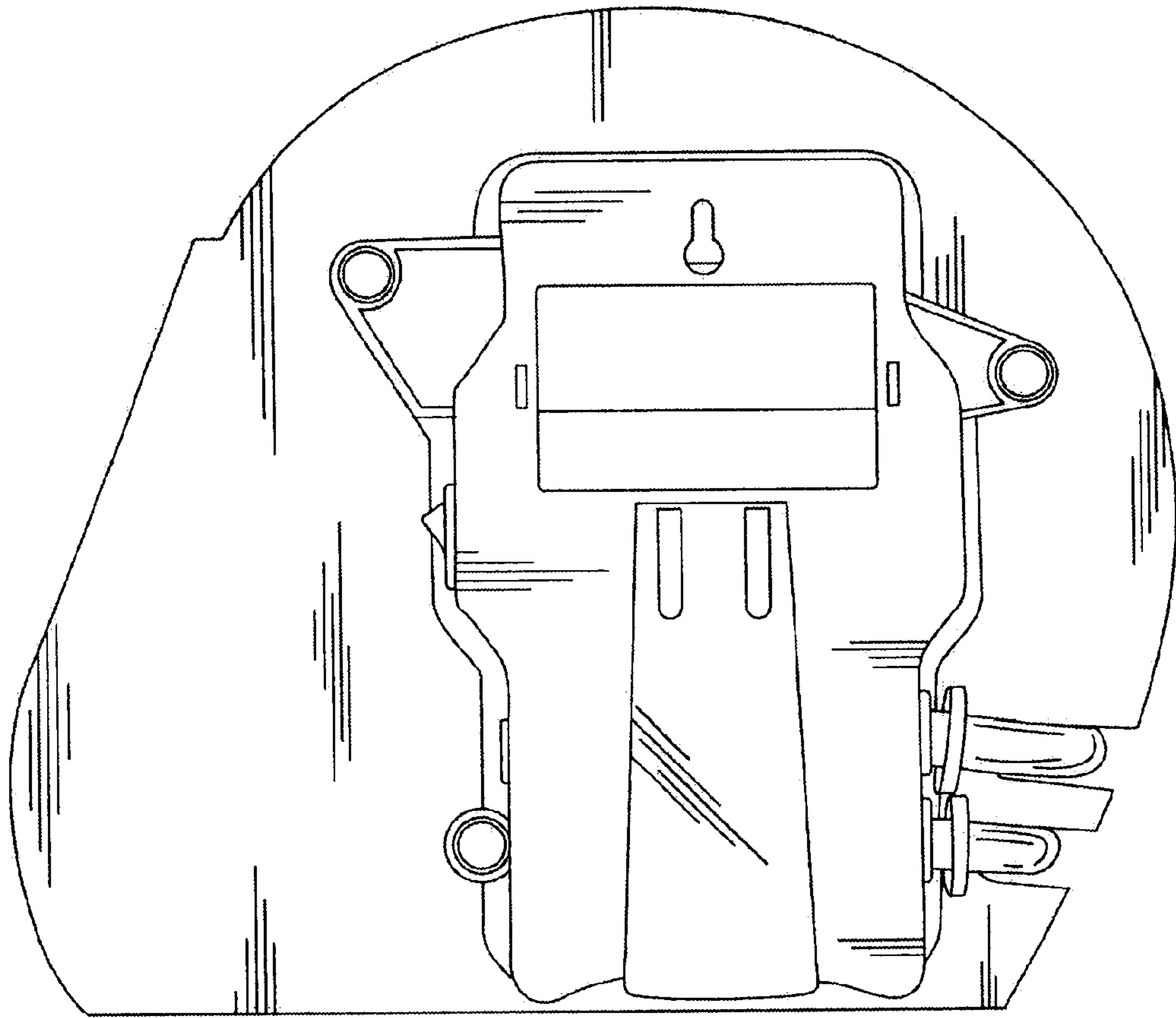


Fig. 1

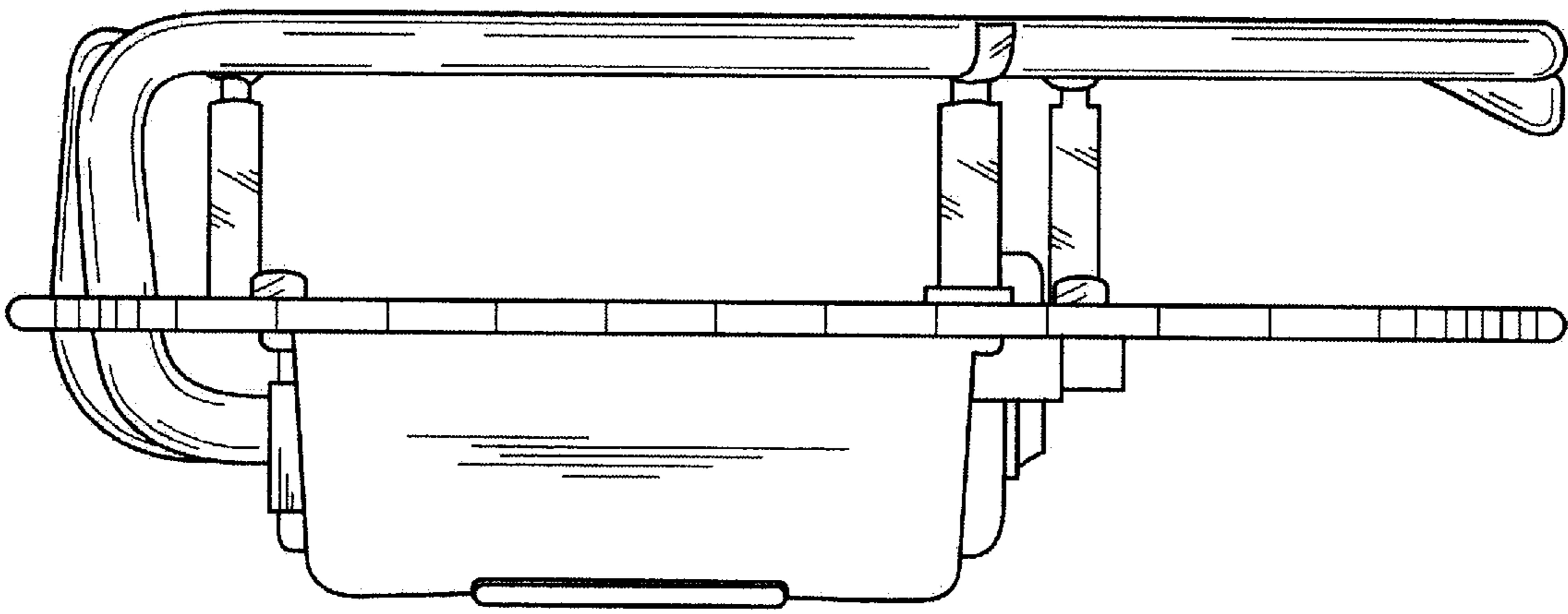


Fig. 2

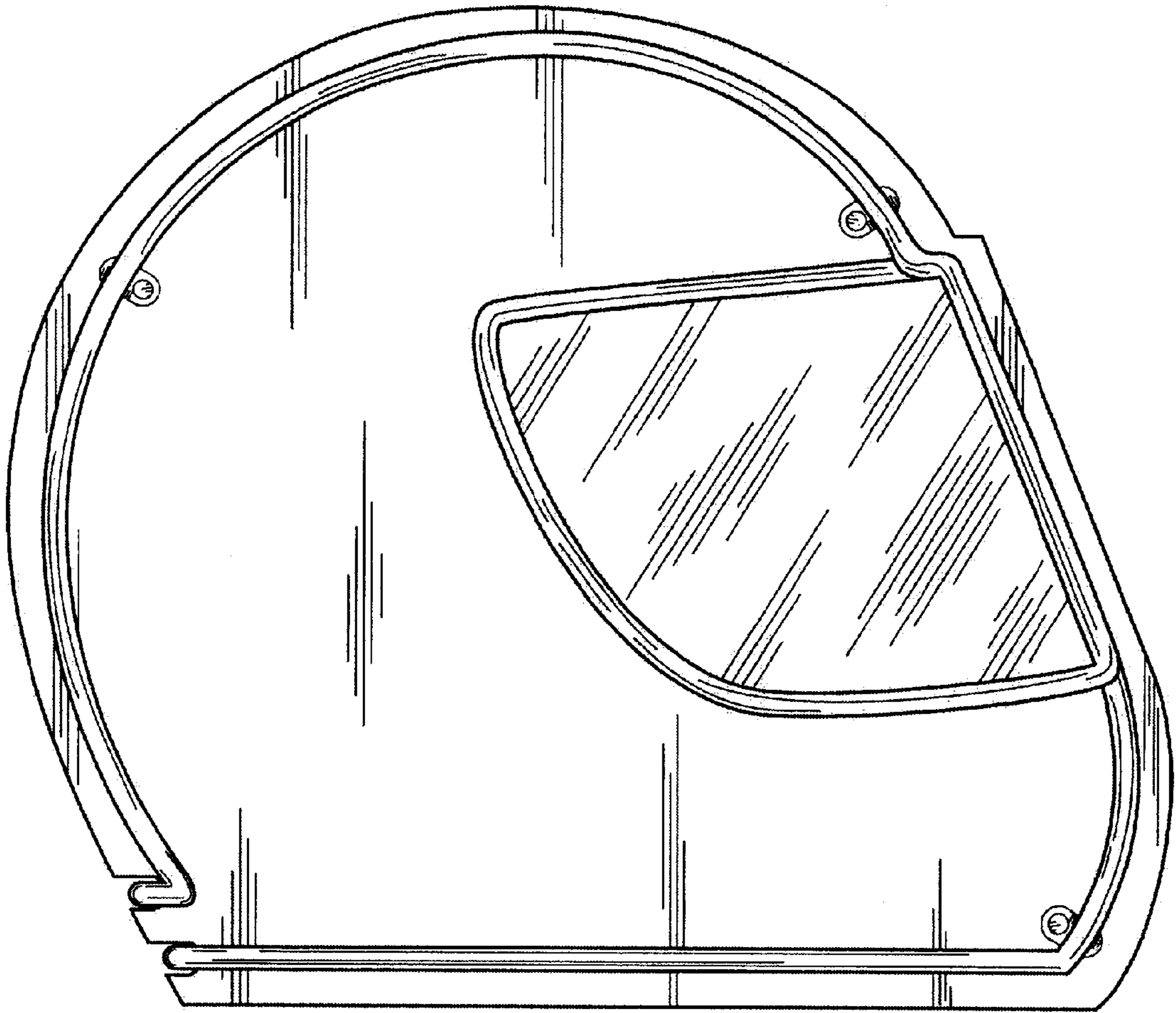


Fig. 3

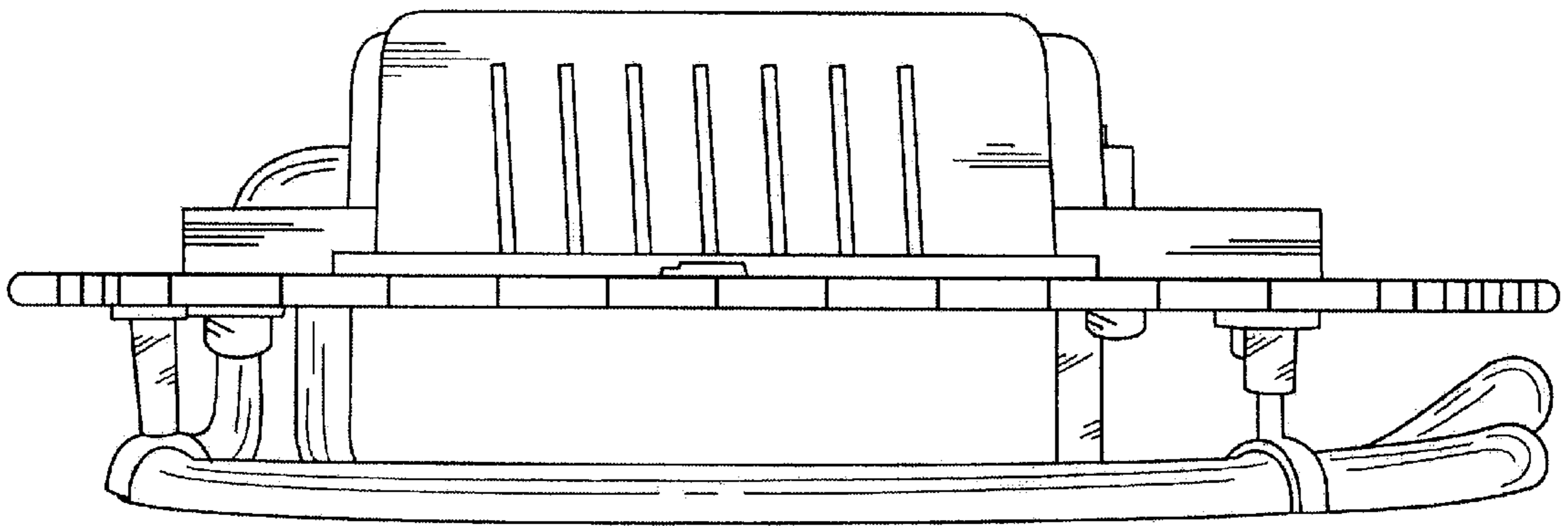


Fig. 4

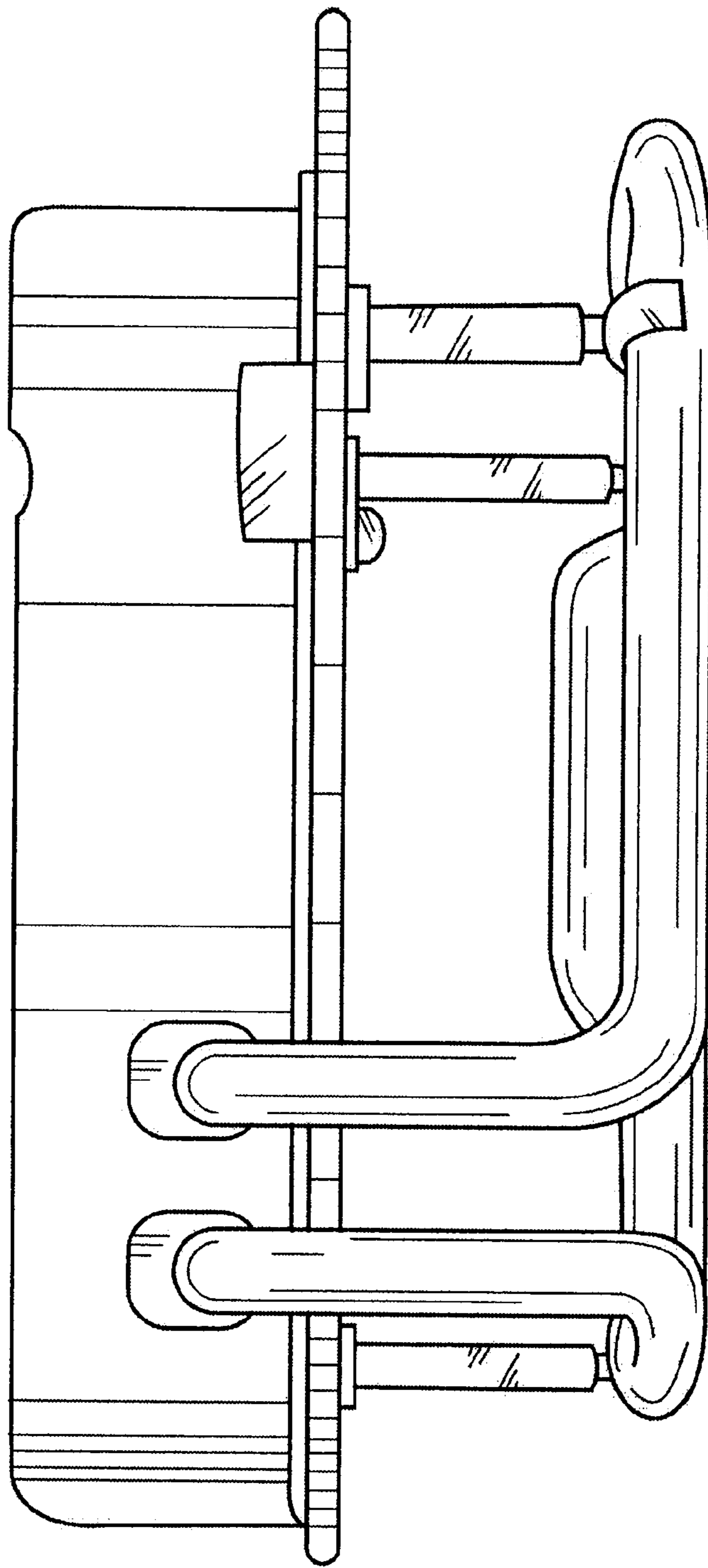


Fig. 5

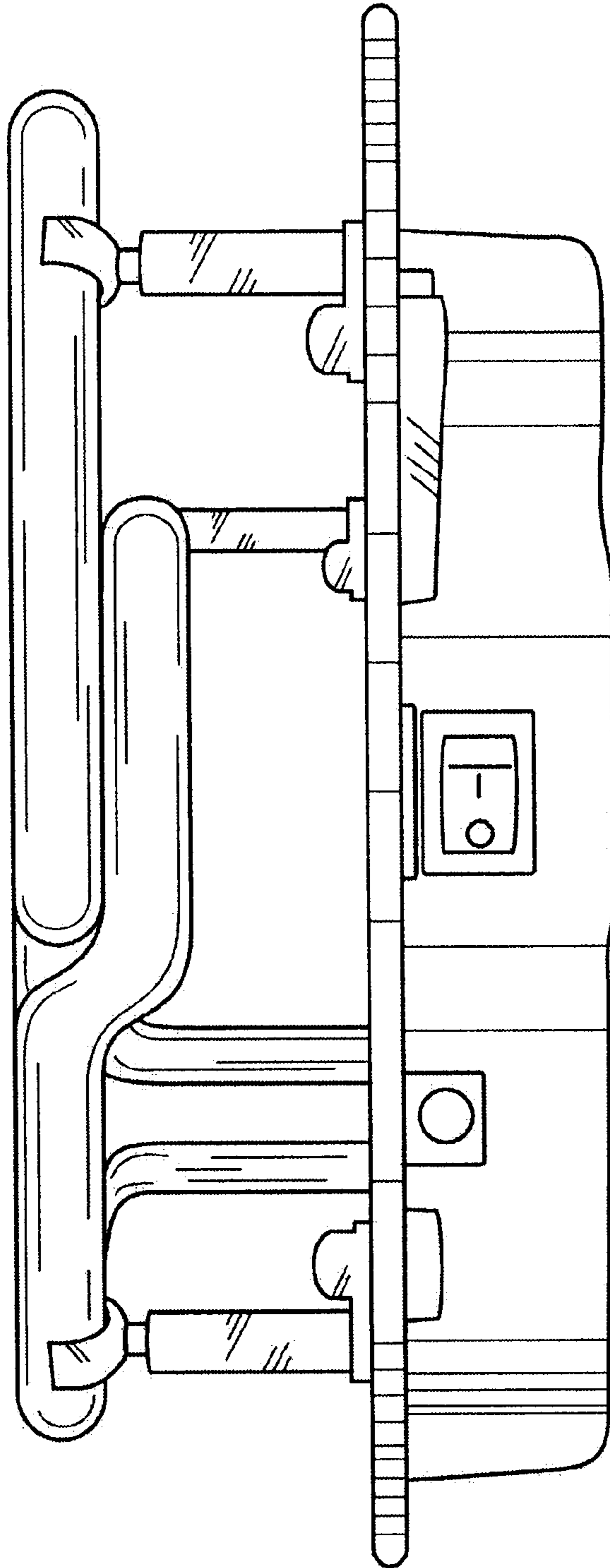


Fig. 6