



US00D486866S

(12) **United States Design Patent**  
**Gibson et al.**

(10) **Patent No.: US D486,866 S**

(45) **Date of Patent: \*\* Feb. 17, 2004**

(54) **THREE SIDED DISPLAY HOLDER WITH SLOTTED SIDES**

D473,594 S \* 4/2003 Gibson et al. .... D20/21

\* cited by examiner

(76) Inventors: **Scott S. Gibson**, 6901 93<sup>rd</sup> SE., Mercer Island, WA (US) 98040; **Spec Fulmer**, 23636 60th S., Apt. C101, Kent, WA (US) 98032

*Primary Examiner*—Marcus A. Jackson  
(74) *Attorney, Agent, or Firm*—Delbert J. Barnard

(\*\*) Term: **14 Years**

(57) **CLAIM**

The ornamental design for a three sided display holder with slotted sides, as shown and described.

(21) Appl. No.: **29/175,698**

**DESCRIPTION**

(22) Filed: **Feb. 7, 2003**

**Related U.S. Application Data**

FIG. 1 is a pictorial view of the display holder design of the present invention, shown in a horizontal position, with broken lines for illustration purposes only and forming no part of the claimed invention;

(62) Division of application No. 29/121,586, filed on Apr. 10, 2000, now Pat. No. Des. 473,594, which is a division of application No. 09/410,647, filed on Oct. 1, 1999, now Pat. No. 6,256,912.

FIG. 2 is a side elevational view of one side of the design shown by FIG. 1, with a center portion broken away for the purpose of shortening the view, such view being illustrative of each of the three sides of the display holder because the three sides are substantially identical, and further directly showing the side appearance of the display holder when it is vertical, and further showing the side appearance of the display holder when it is horizontal, by merely rotating the figure ninety (90°) degrees and then viewing it, such view also including broken lines for illustration purposes only and forming no part of the claimed invention; and,

(51) **LOC (7) Cl.** ..... **20-02**

(52) **U.S. Cl.** ..... **D20/21**

(58) **Field of Search** ..... D20/10, 12, 21, D20/99; 40/299.01, 503-507, 611, 612, 584, 624

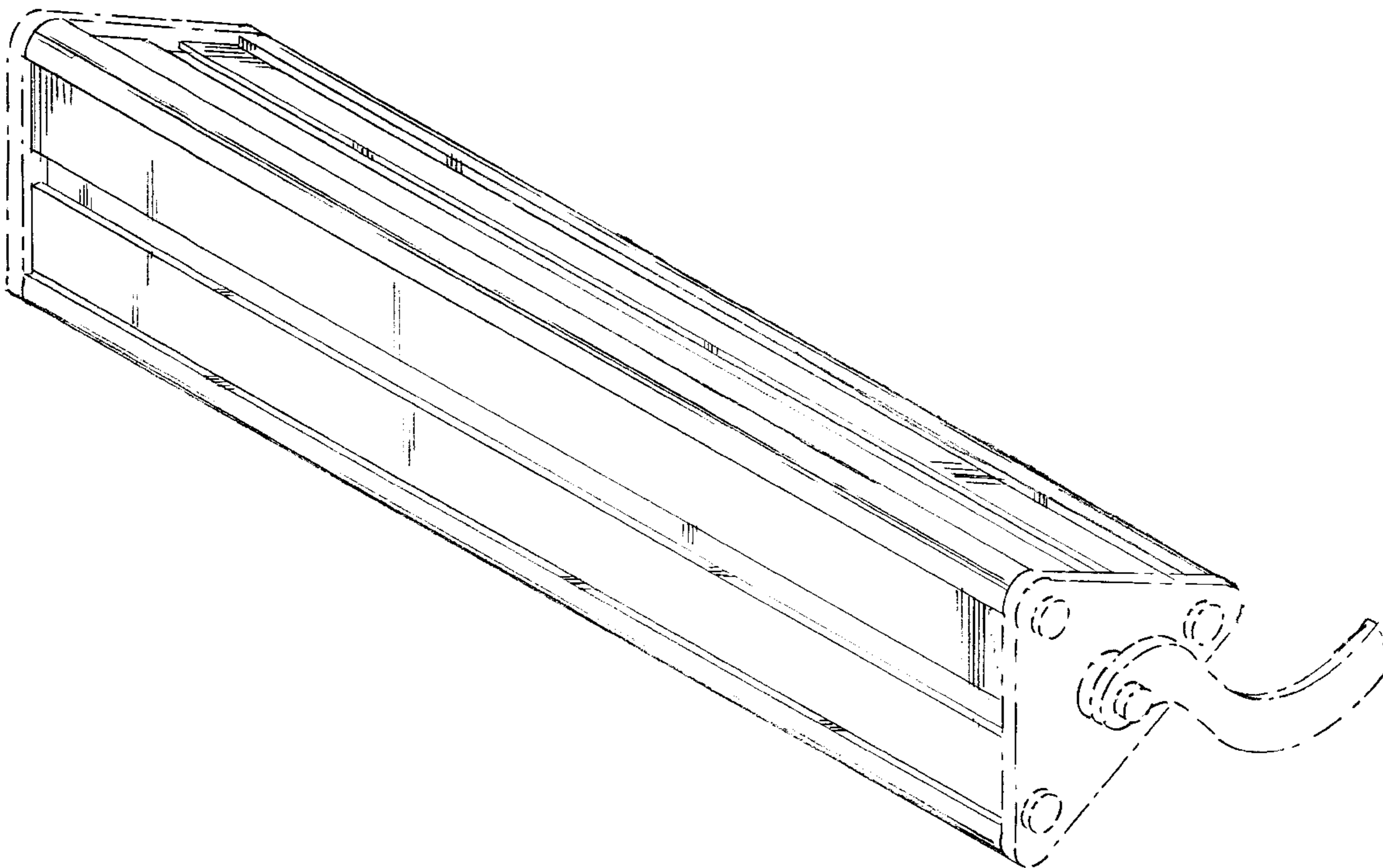
FIG. 3 is an end view of both ends of the design, such view also including a broken line showing for illustration purposes only and forming no part of the claimed invention.

(56) **References Cited**

**U.S. PATENT DOCUMENTS**

- D281,336 S \* 11/1985 Ahlgren ..... D20/21
- D386,214 S \* 11/1997 Belokin et al. .... D20/21
- D390,881 S \* 2/1998 Kiggins ..... D20/21

**1 Claim, 2 Drawing Sheets**



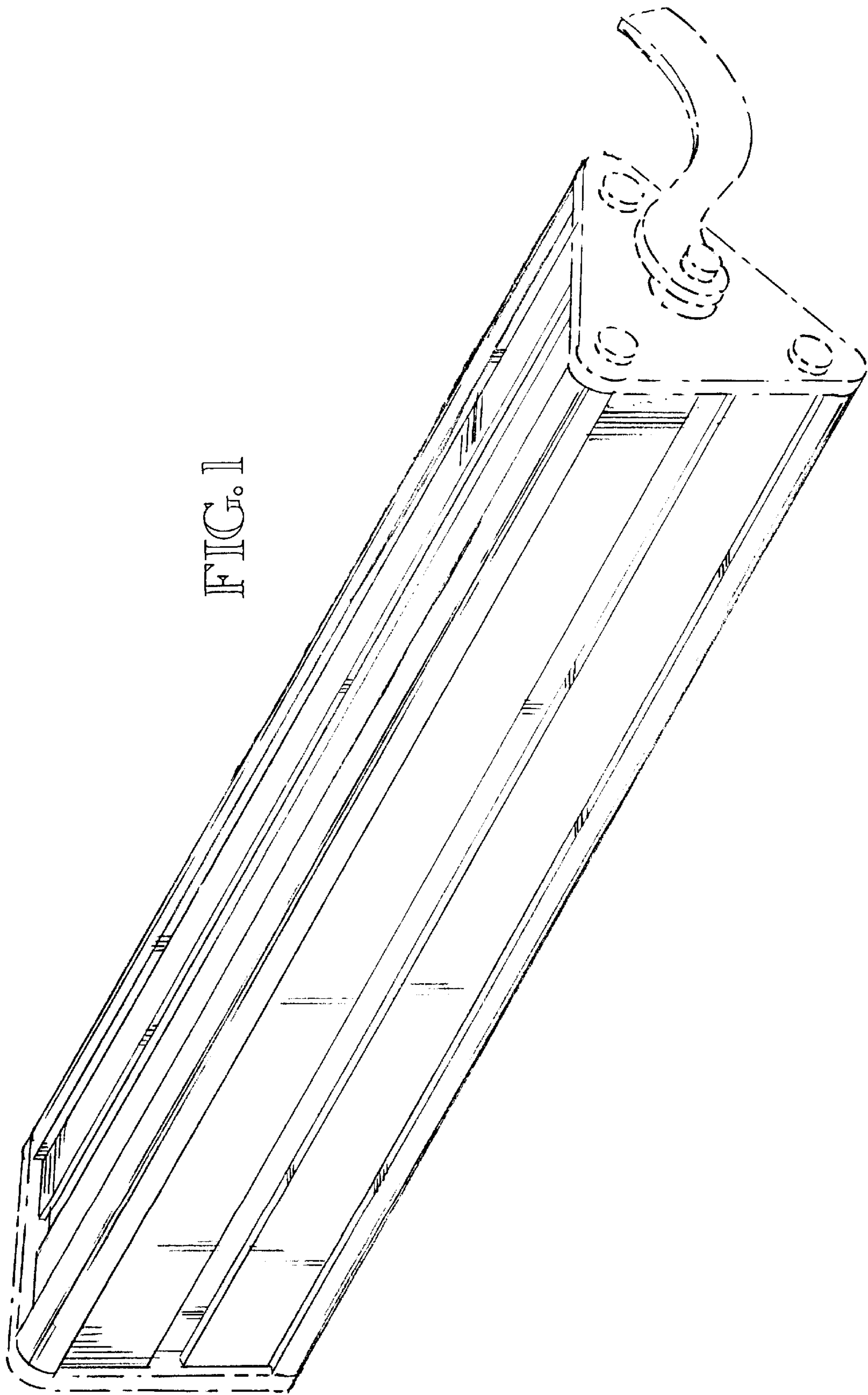


FIG. 1

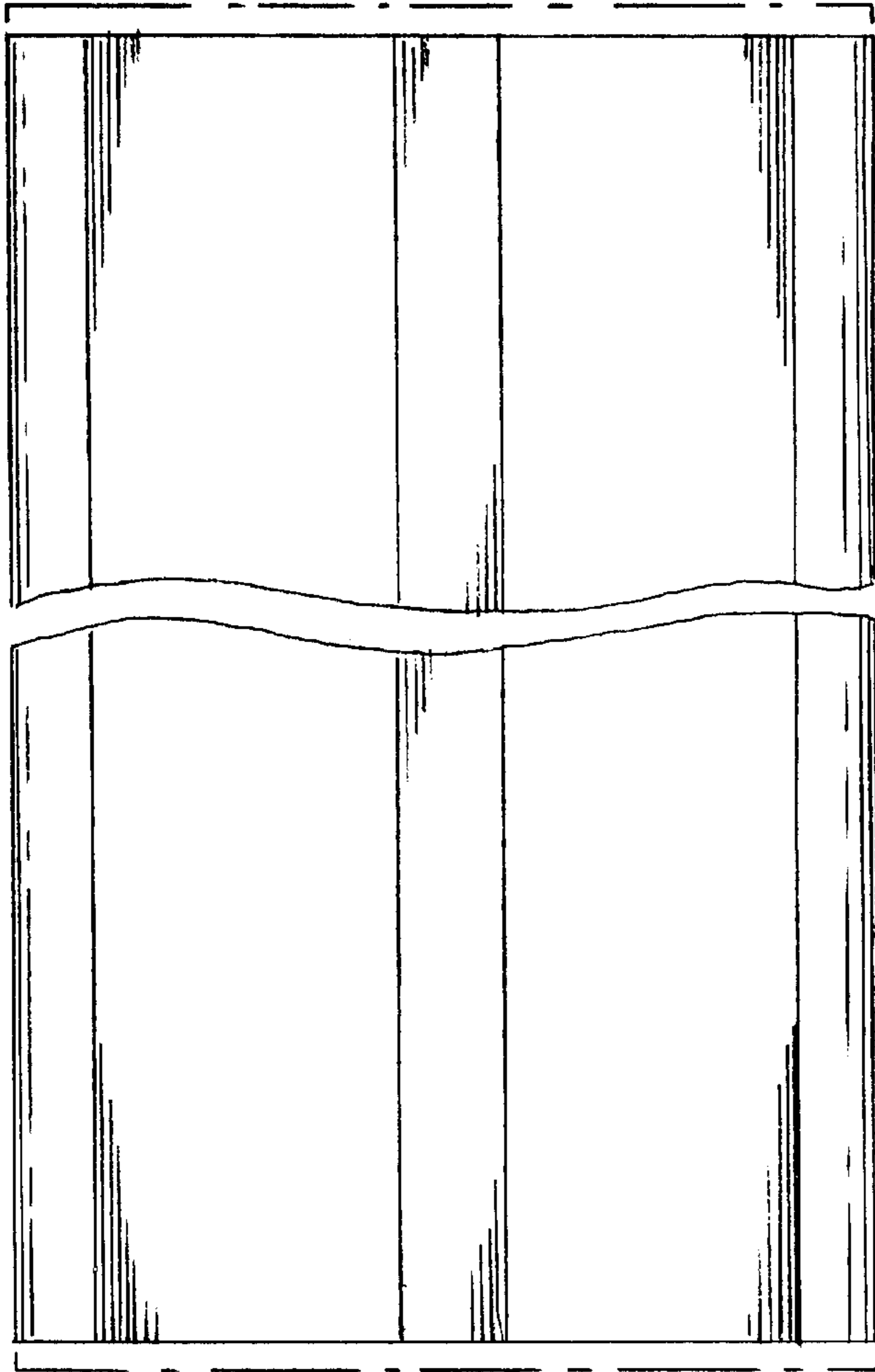


FIG. 2

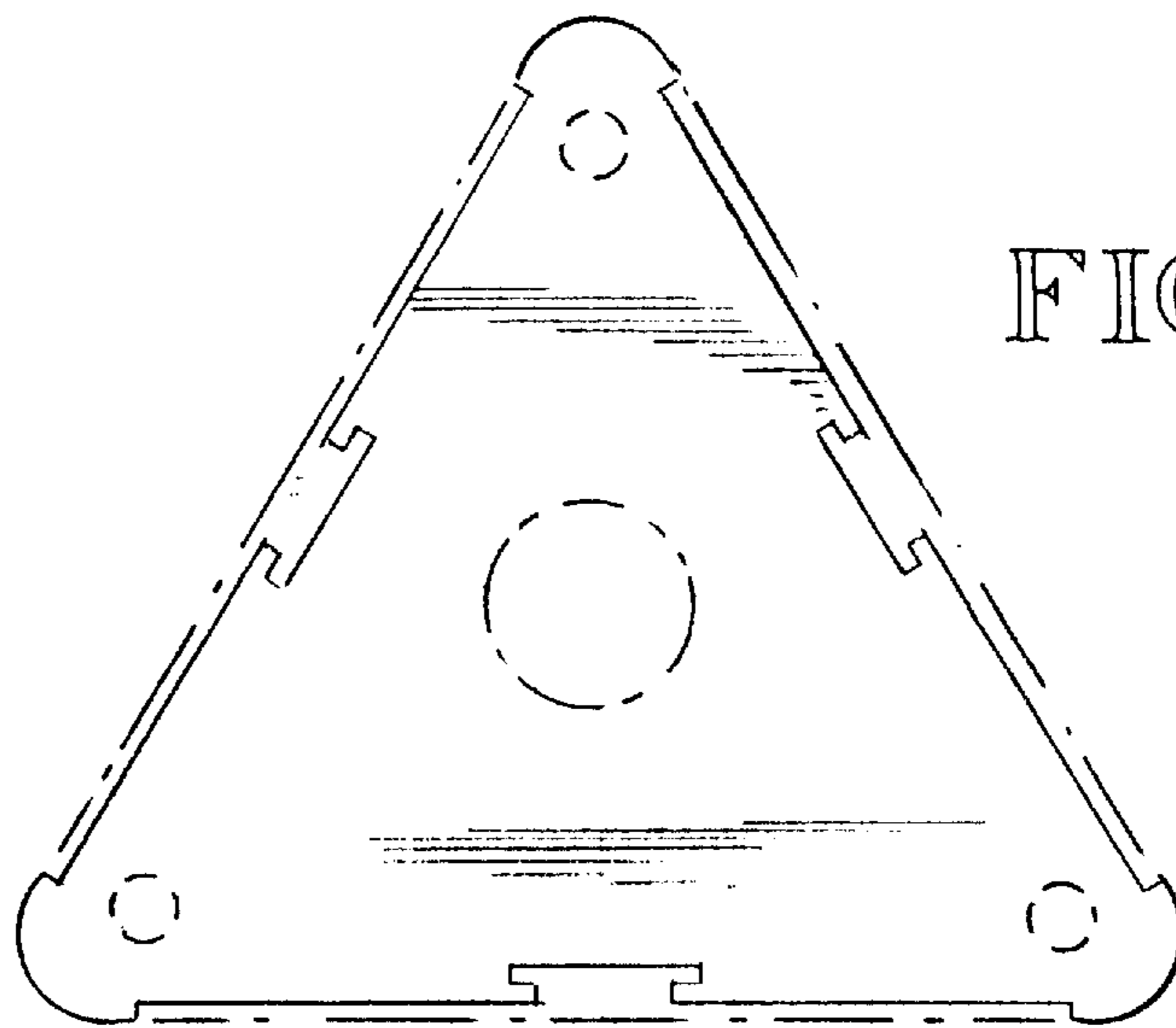


FIG. 3