



US00D486865S

(12) **United States Design Patent**
Ivey

(10) **Patent No.:** **US D486,865 S**

(45) **Date of Patent:** **** Feb. 17, 2004**

(54) **SMALL PAD HOLDER**

(75) **Inventor:** **Jason A. Ivey, Long Beach, CA (US)**

(73) **Assignee:** **Innovation Specialties, Inc., Culver City, CA (US)**

(**) **Term:** **14 Years**

(21) **Appl. No.:** **29/174,601**

(22) **Filed:** **Jan. 22, 2003**

(51) **LOC (7) Cl.** **19-02**

(52) **U.S. Cl.** **D19/86; D19/92; D19/90**

(58) **Field of Search** **D19/65, 75, 76, D19/86, 90, 91, 92, 95, 99, 100; D6/515, 518; 206/215, 449, 555, 557; 211/13.1, 10, 11, 50, 126.13; 221/35, 36, 33, 45, 46-49, 51, 52, 56-61, 63, 197, 281, 282**

(56) **References Cited**

U.S. PATENT DOCUMENTS

- D145,877 S * 11/1946 Tucker D19/92 X
- D310,688 S * 9/1990 Windorski D19/86
- D387,806 S * 12/1997 Carlson et al. D19/86
- D393,878 S * 4/1998 Suzuki D19/65

- D396,494 S * 7/1998 Carlson et al. D19/92
- D406,170 S * 2/1999 Wolff D19/65
- D437,353 S * 2/2001 Richter D19/82
- D452,709 S * 1/2002 Najmi D19/86

* cited by examiner

Primary Examiner—Martie K. Holtje

(74) *Attorney, Agent, or Firm*—Edgar W. Averill, Jr.

(57) **CLAIM**

The ornamental design for a small pad holder, as shown and described.

DESCRIPTION

FIG. 1 is a perspective view showing the front, left side and bottom of the small pad holder showing my new design.

FIG. 2 is a front view thereof.

FIG. 3 is a rear view thereof.

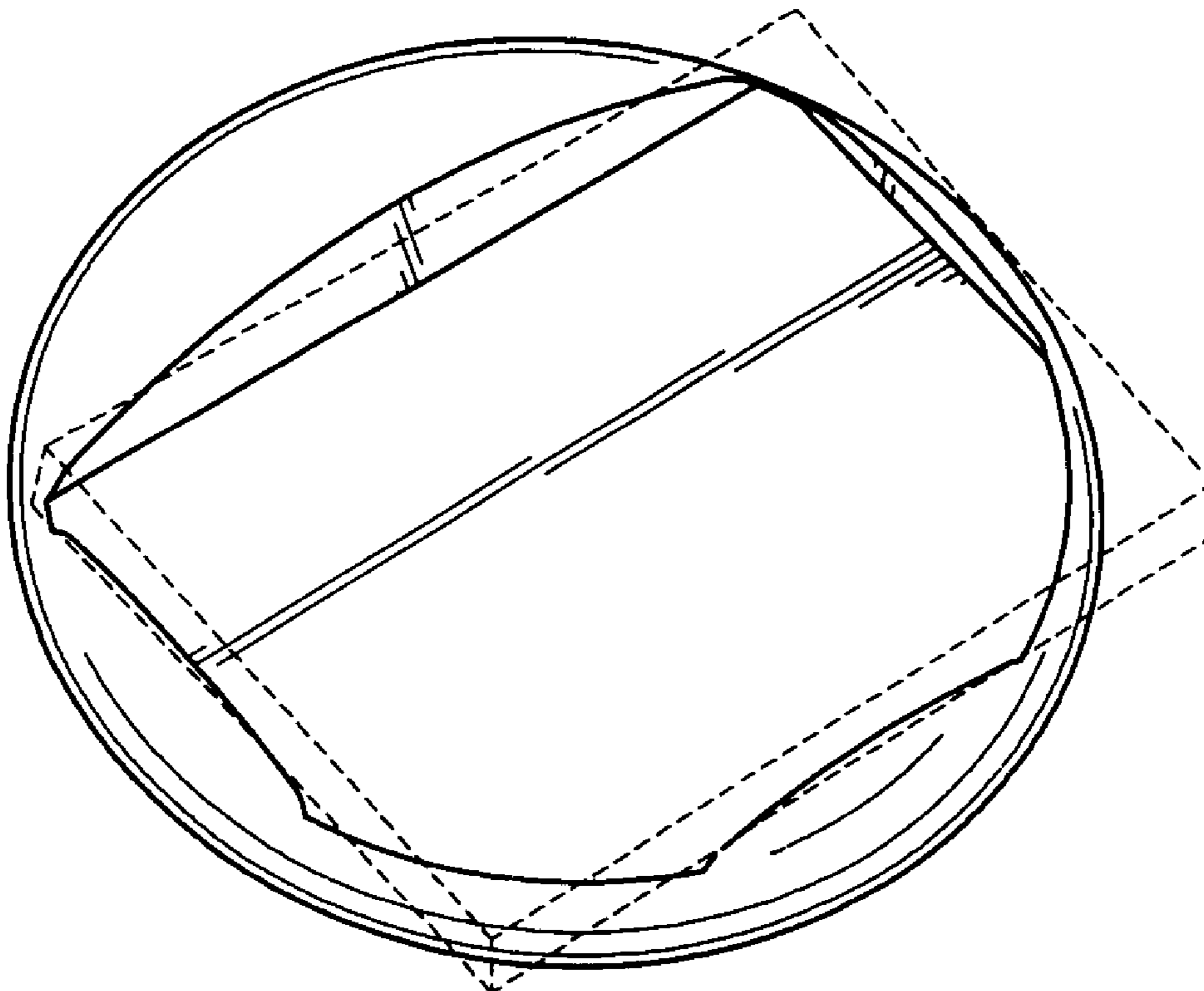
FIG. 4 is a right side thereof.

FIG. 5 is a top view thereof; and,

FIG. 6 is a bottom view thereof.

The paper pad depicted by means of broken lines in FIG. 1 has been shown for illustrative purposes only and forms no part of the claimed design.

1 Claim, 1 Drawing Sheet



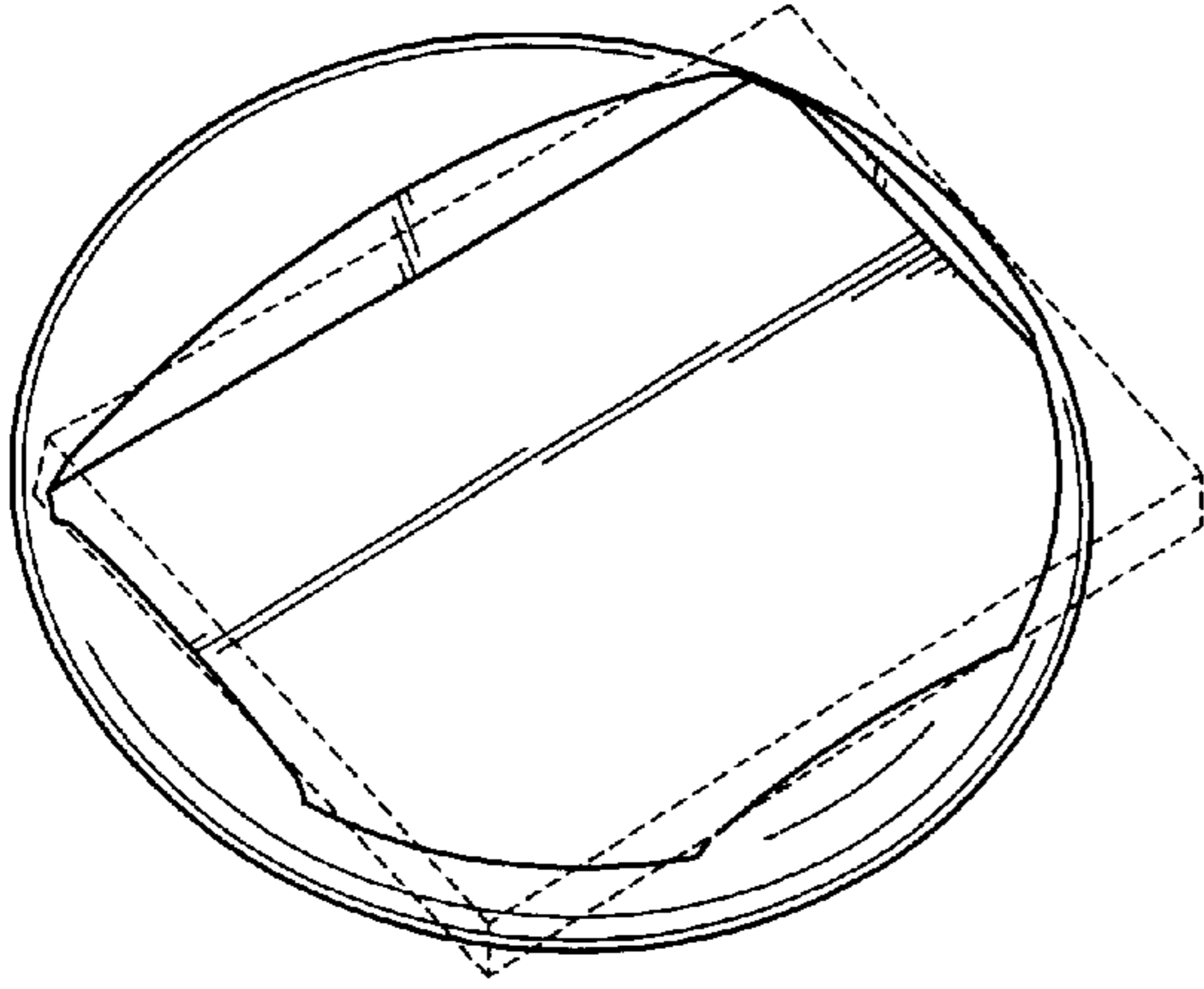


FIG. 1

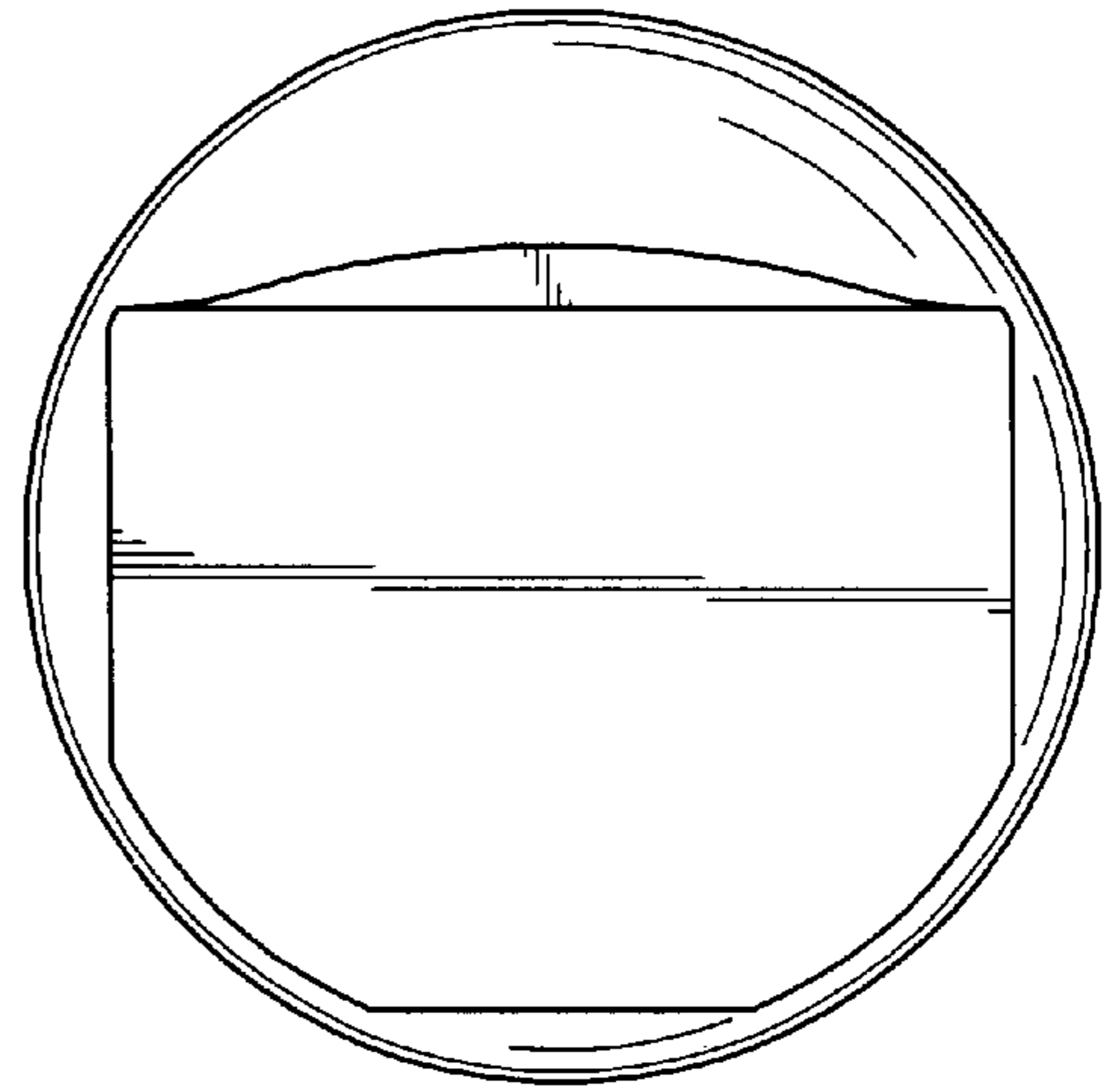


FIG. 2

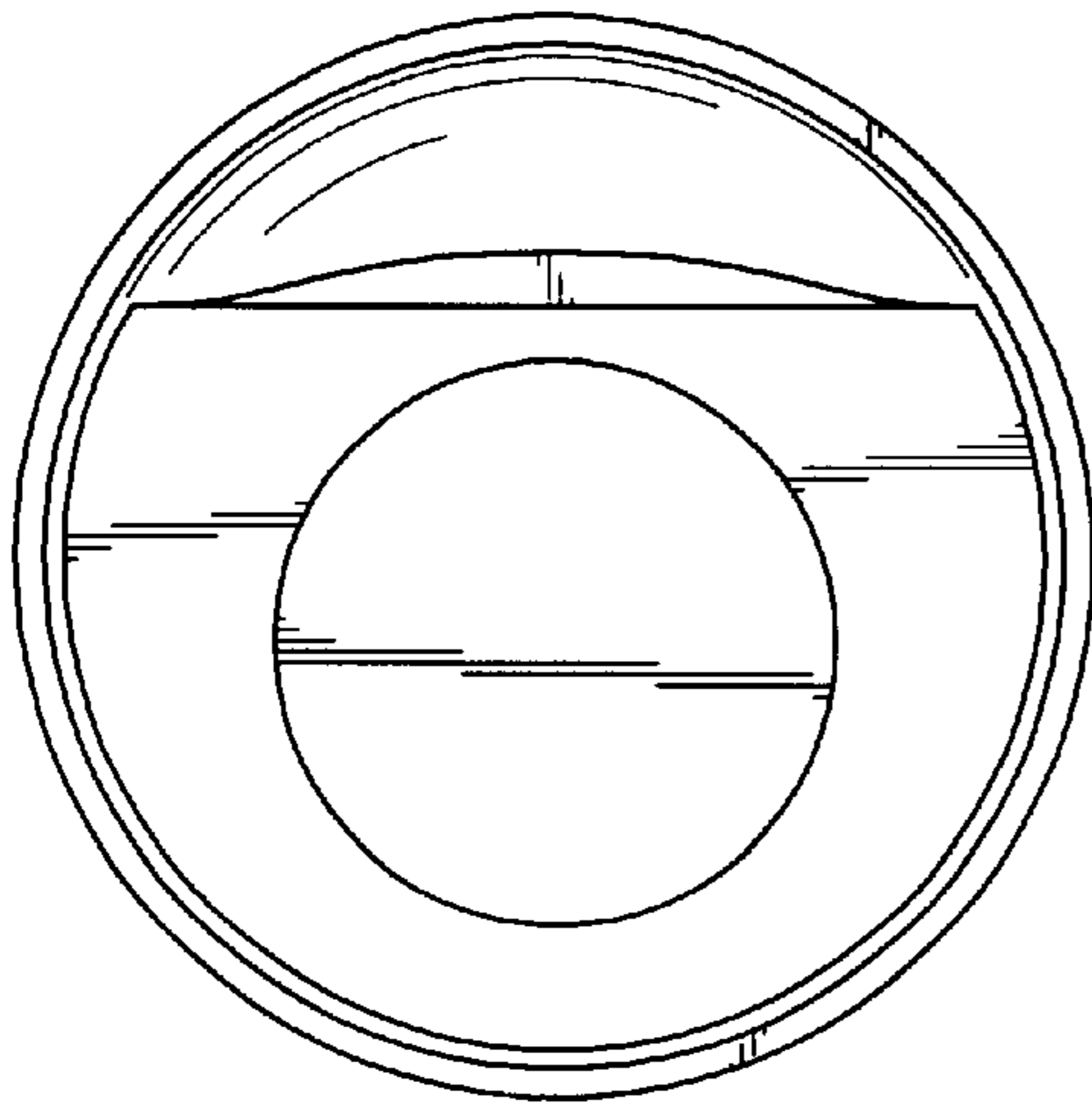


FIG. 3



FIG. 4

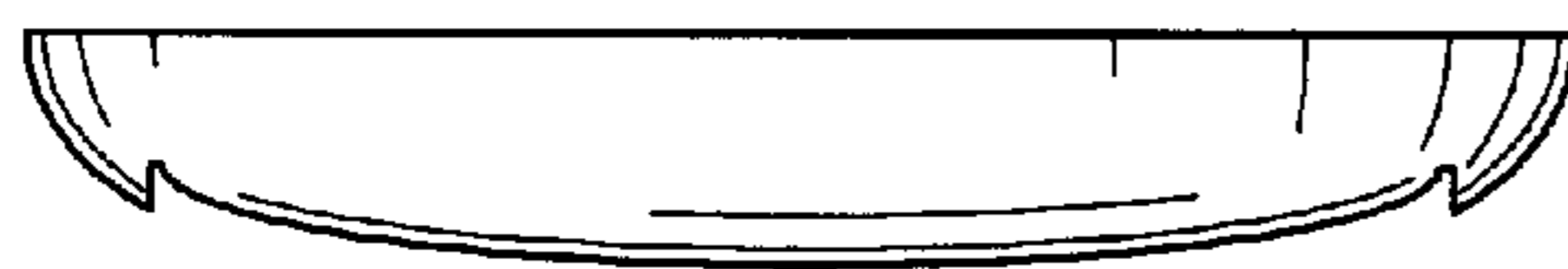


FIG. 5

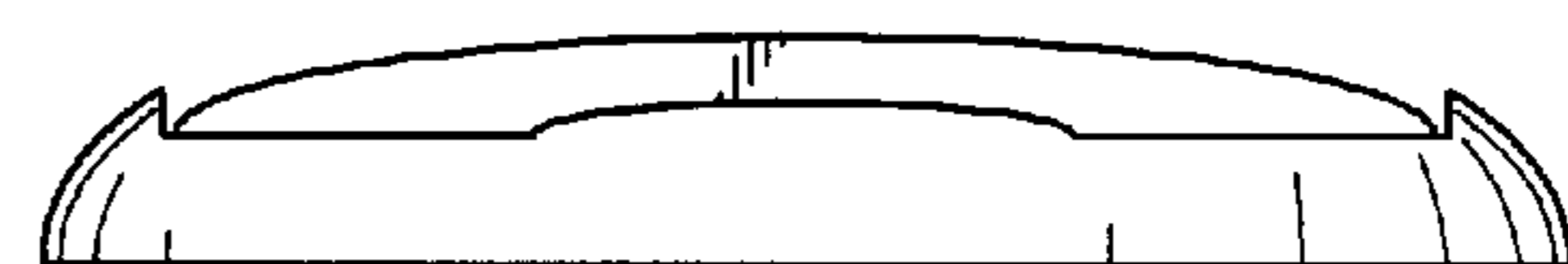


FIG. 6