



US00D486856S

(12) **United States Design Patent**
Doctor

(10) **Patent No.:** **US D486,856 S**

(45) **Date of Patent:** **** Feb. 17, 2004**

(54) **CORNER BOOKMARK**

6,018,849 A * 2/2000 Royer 24/67 CF

(76) Inventor: **Hatim F. Doctor**, 3 Colonial Ter.,
Pompton Plains, NJ (US) 07444

* cited by examiner

(**) Term: **14 Years**

Primary Examiner—Martie K. Holtje
(74) *Attorney, Agent, or Firm*—Cozzarelli Law Firm, PA;
Frank Cozzarelli, Jr.

(21) Appl. No.: **29/180,298**

(57) **CLAIM**

(22) Filed: **Apr. 18, 2003**

The ornamental design for a corner bookmark, as shown and described.

(51) **LOC (7) Cl.** **19-06**

(52) **U.S. Cl.** **D19/34; D19/65**

(58) **Field of Search** D19/34, 65, 75,
D19/78, 86, 88, 90, 91, 99, 100; D8/395;
24/67 R, 67.1–67.11, 67 CF, DIG. 8, DIG. 9,
545, 546–549; 281/42, 45, 51; 116/234–240

DESCRIPTION

FIG. 1 is a perspective view of the corner bookmark, showing my new design. The broken line depiction of a book is included for illustrative purposes only and does not form any part of the claimed invention.

(56) **References Cited**

U.S. PATENT DOCUMENTS

- 538,706 A * 5/1895 Sexton 116/234
- 915,073 A * 3/1909 Chapin 24/67 R
- 1,110,906 A * 9/1914 Deal 281/45
- 1,921,213 A * 8/1933 Bush et al. D19/34 X
- 3,346,979 A * 10/1967 Milos 116/234 X
- 4,778,201 A * 10/1988 Kouno et al. 281/42
- 5,237,956 A * 8/1993 Igeta 116/234
- D354,986 S * 1/1995 Chu D19/65
- D410,954 S * 6/1999 Ahqvist D19/65

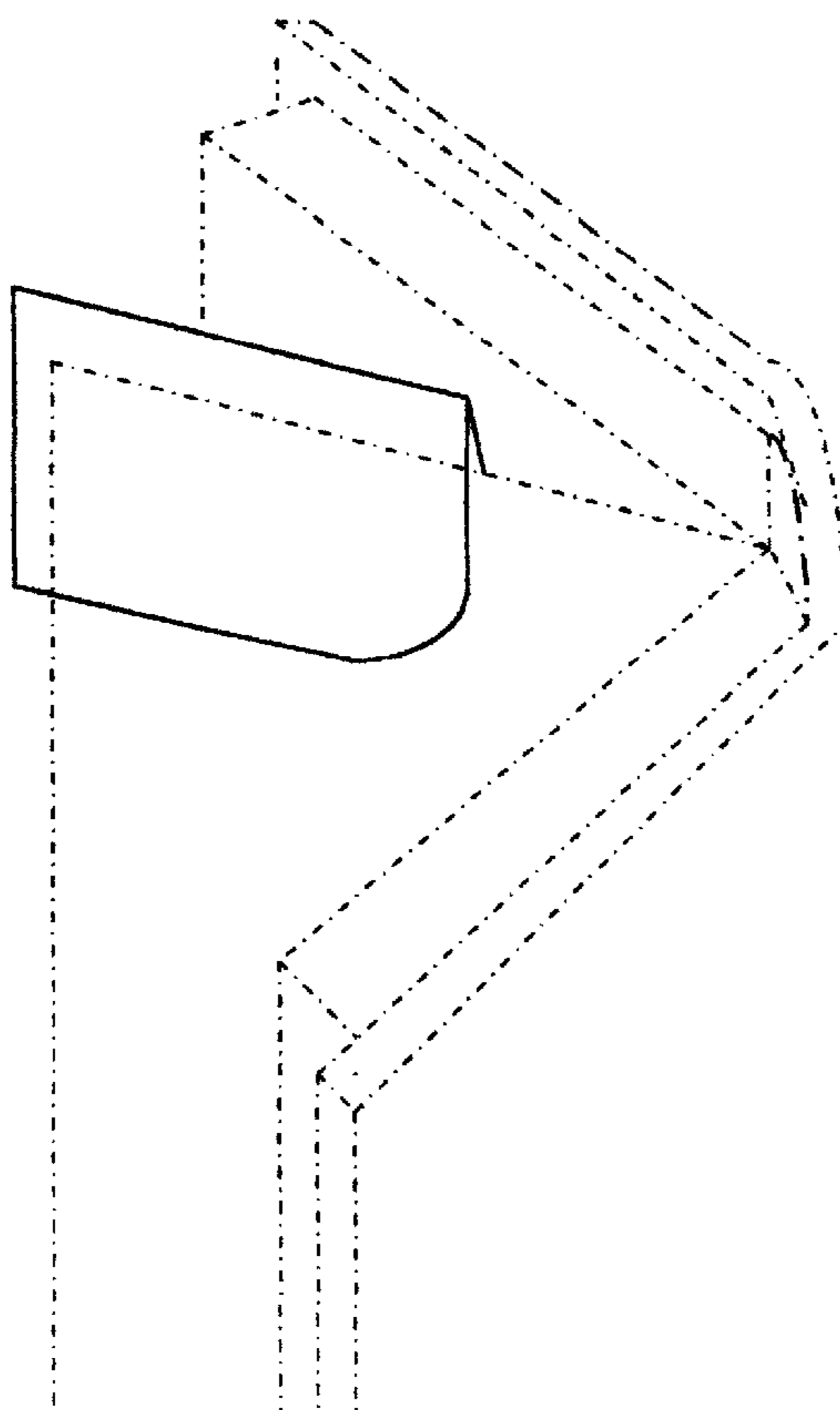
FIG. 2 is another perspective view of the corner bookmark. FIG. 3 is a view of the right side elevation of the corner bookmark shown in FIG. 2.

FIG. 4 is a front elevation view of the corner bookmark shown in FIG. 2.

FIG. 5 is a rear elevation view of the corner bookmark shown in FIG. 2; and,

FIG. 6 is the left side elevation of the corner bookmark shown in FIG. 2.

1 Claim, 2 Drawing Sheets



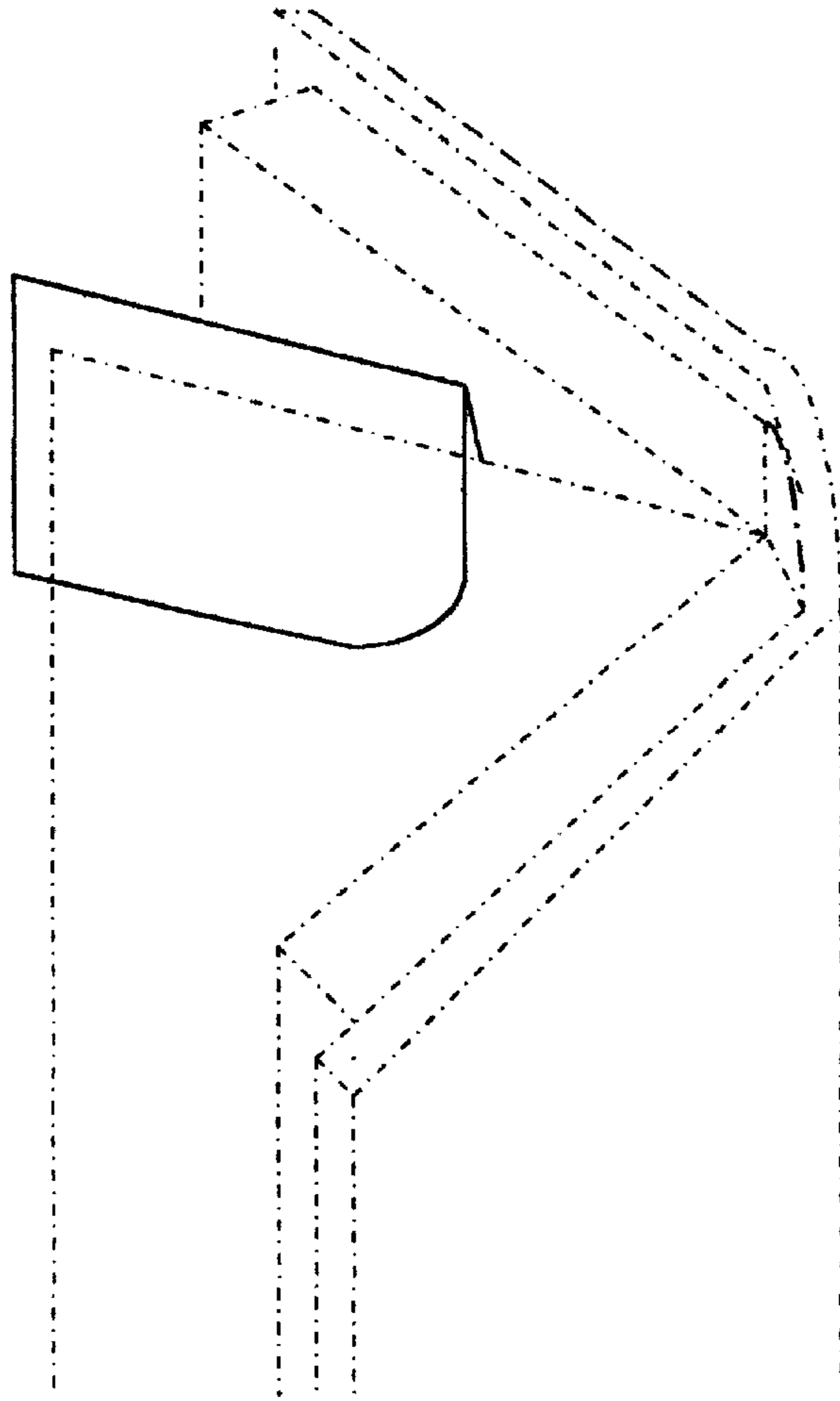


Fig. 1

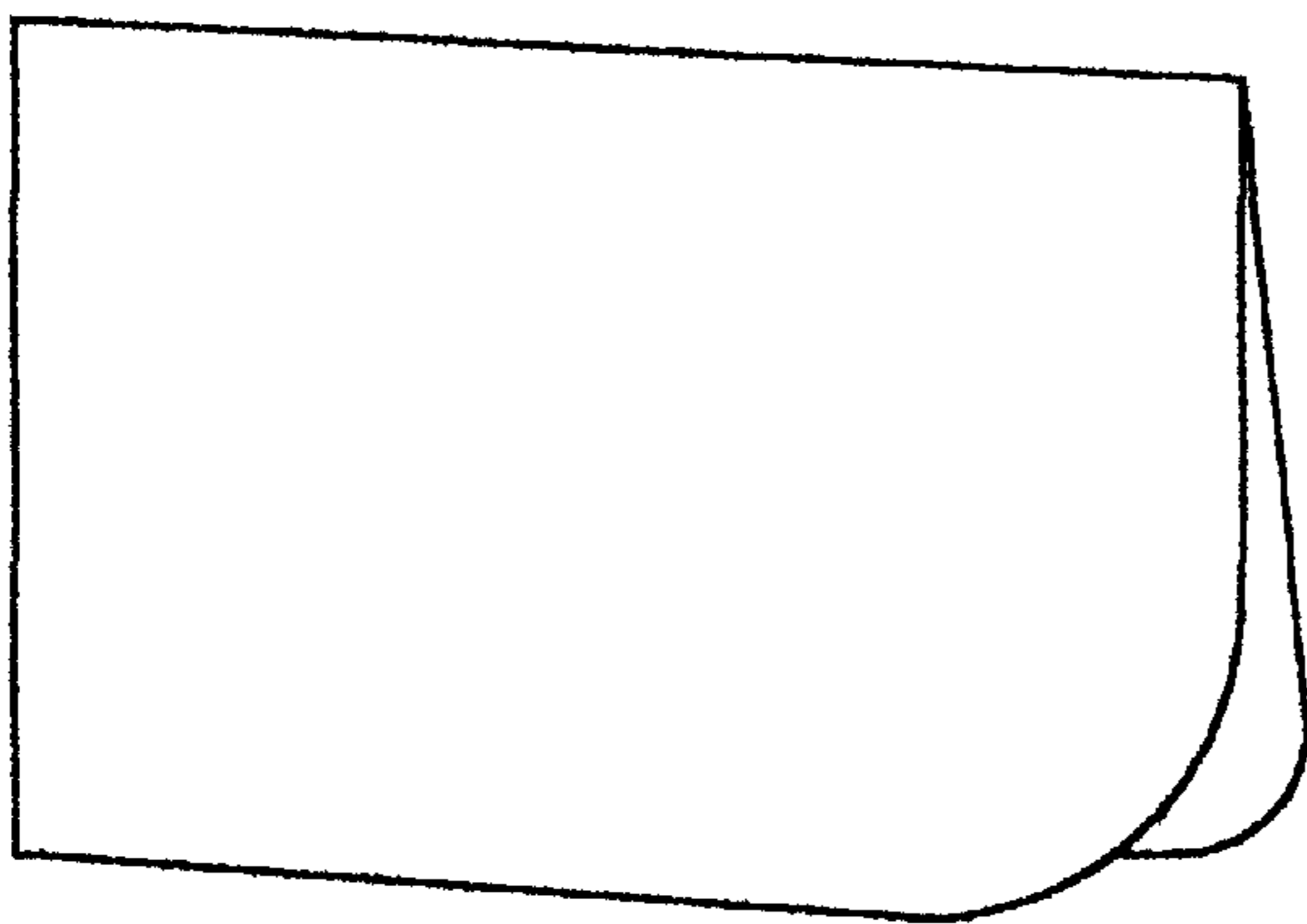


Fig. 2

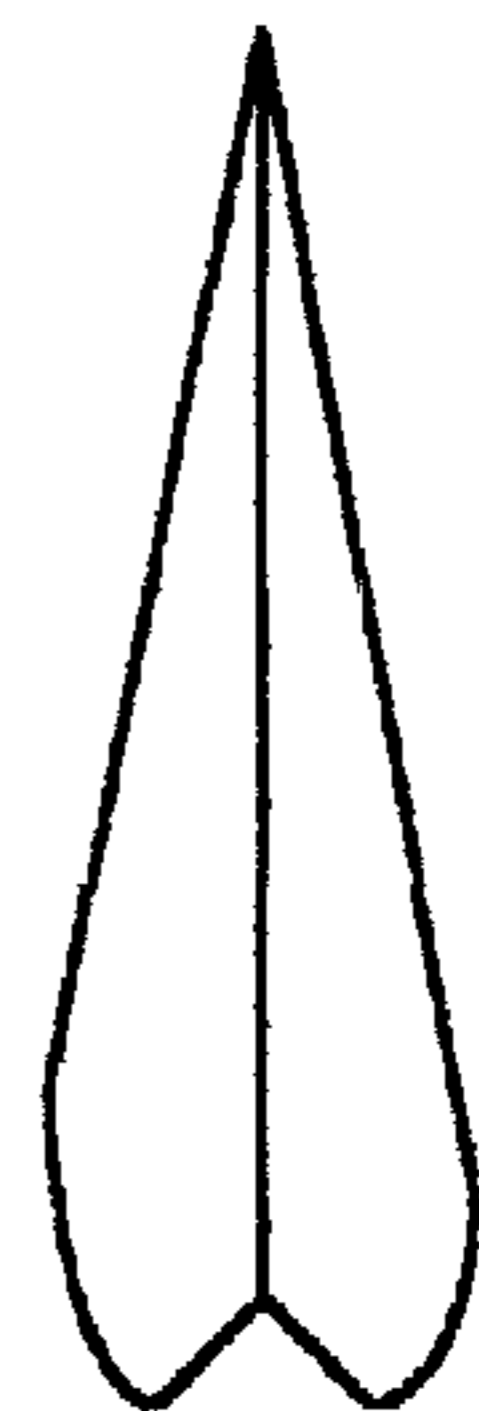


Fig. 3

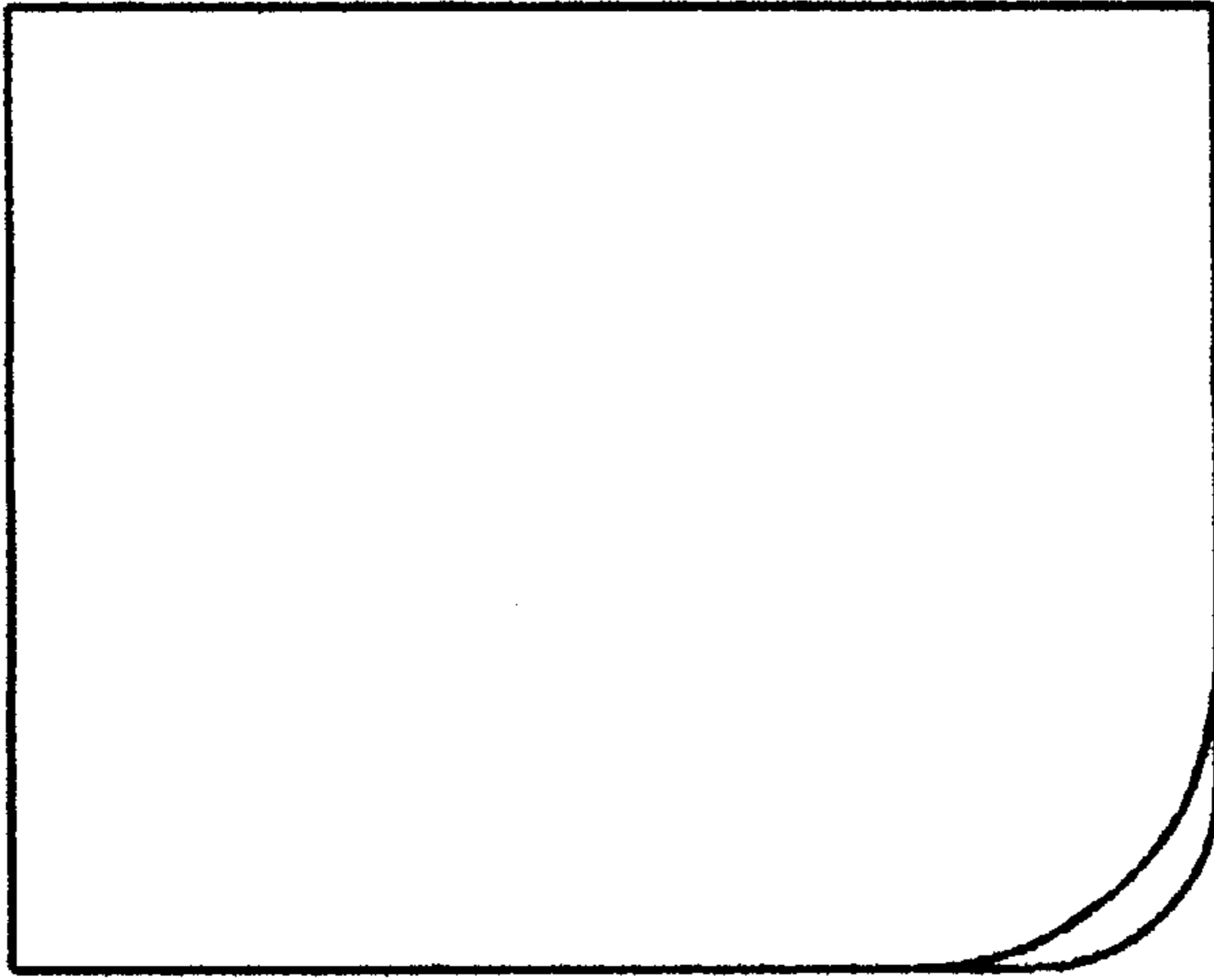


Fig. 4

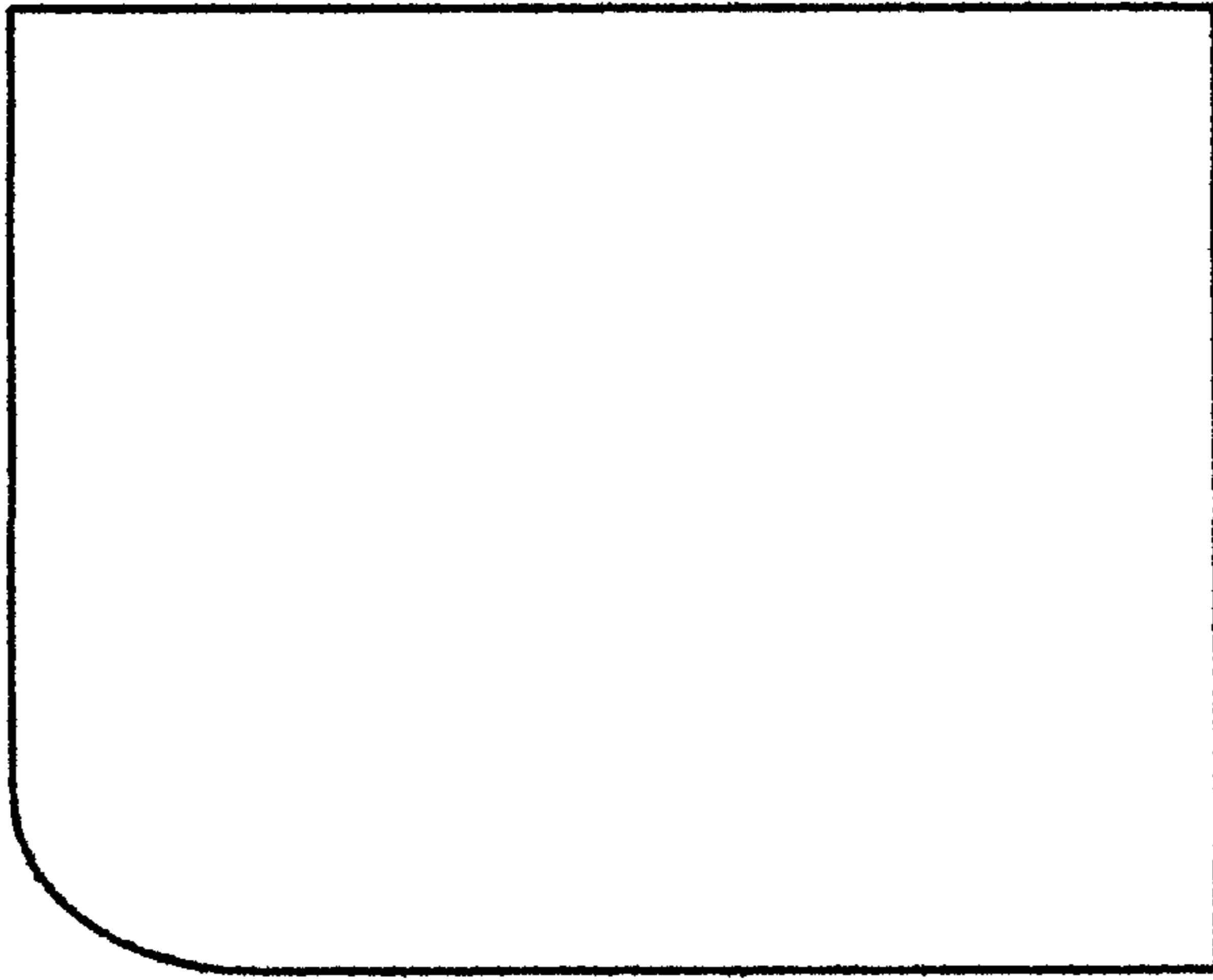


Fig. 5



Fig. 6