



US00D486853S

(12) **United States Design Patent**
Wilken et al.

(10) **Patent No.:** **US D486,853 S**

(45) **Date of Patent:** **** Feb. 17, 2004**

(54) **PRINTER CARTRIDGE**

(75) Inventors: **Kevin L. Wilken**, De Pere, WI (US);
Mark A. Gilbertson, Sauk City, WI (US)

(73) Assignee: **Brady Worldwide, Inc.**, Milwaukee, WI (US)

(**) Term: **14 Years**

(21) Appl. No.: **29/150,902**

(22) Filed: **Nov. 1, 2001**

(51) **LOC (7) Cl.** **18-02**

(52) **U.S. Cl.** **D18/56**

(58) **Field of Search** D18/56, 43, 19,
D18/12; 400/235.1, 613, 207, 208, 240.4,
120.16; D14/475

(56) **References Cited**

U.S. PATENT DOCUMENTS

D188,725 S	*	8/1960	Wren	D14/476
D210,172 S	*	2/1968	Roman	D14/475
4,480,936 A	*	11/1984	Kasun et al.	400/207
D318,870 S	*	8/1991	Matsuoka	D18/12
D333,481 S	*	2/1993	Laurent	D18/12
D333,482 S	*	2/1993	Laurent	D18/12
D347,241 S	*	5/1994	Watanabe et al.	D18/56
D357,696 S	*	4/1995	Lucas et al.	D18/12

D358,601 S	*	5/1995	Zinsmeyer	D18/12
5,439,303 A	*	8/1995	Alday	D18/56
D375,756 S	*	11/1996	Murray et al.	D18/56
D378,759 S	*	4/1997	Hattori et al.	D18/56
D389,179 S	*	1/1998	Uchiyama et al.	D18/56
5,785,437 A	*	7/1998	Koyama et al.	400/208
D398,646 S	*	9/1998	Geiger	D18/19
D423,566 S	*	4/2000	Hosono	D18/56
6,196,737 B1	*	3/2001	Haug	400/207
6,334,724 B2	*	1/2002	Yamaguchi et al.	400/613

* cited by examiner

Primary Examiner—Cathy Anne MacCormac

(74) *Attorney, Agent, or Firm*—Quarles & Brady LLP

(57) **CLAIM**

The ornamental design for a printer cartridge, as shown and described.

DESCRIPTION

FIG. 1 is a bottom, front perspective view of a printer cartridge showing our new design;

FIG. 2 is a bottom plan view thereof;

FIG. 3 is a front elevational view thereof;

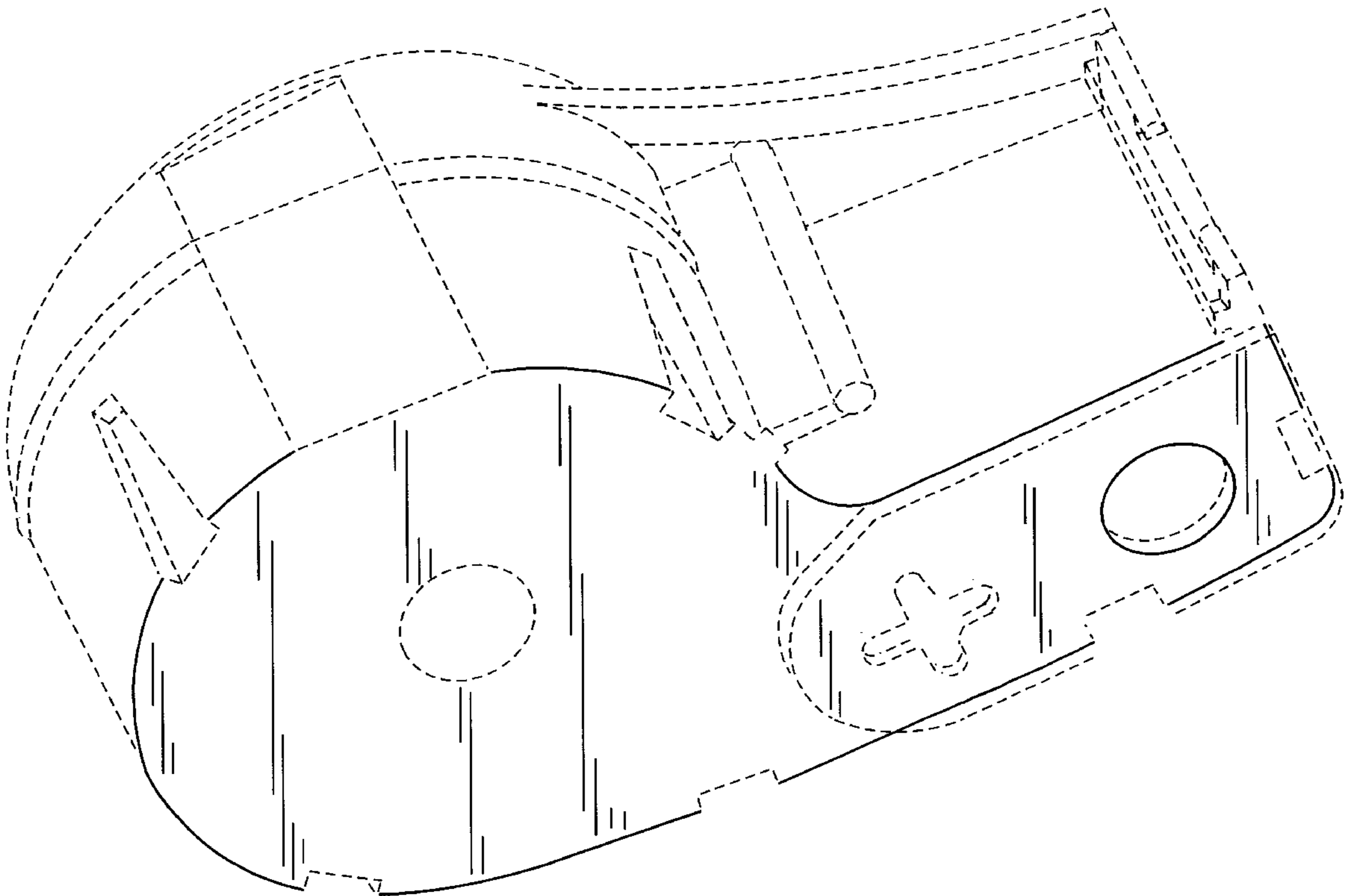
FIG. 4 is a rear elevational view thereof;

FIG. 5 is a left side elevational view thereof; and,

FIG. 6 is a right side elevational view thereof.

The broken lines of items in FIGS. 1–6 are for purposes of illustration only, and form no part of the claimed design.

1 Claim, 4 Drawing Sheets



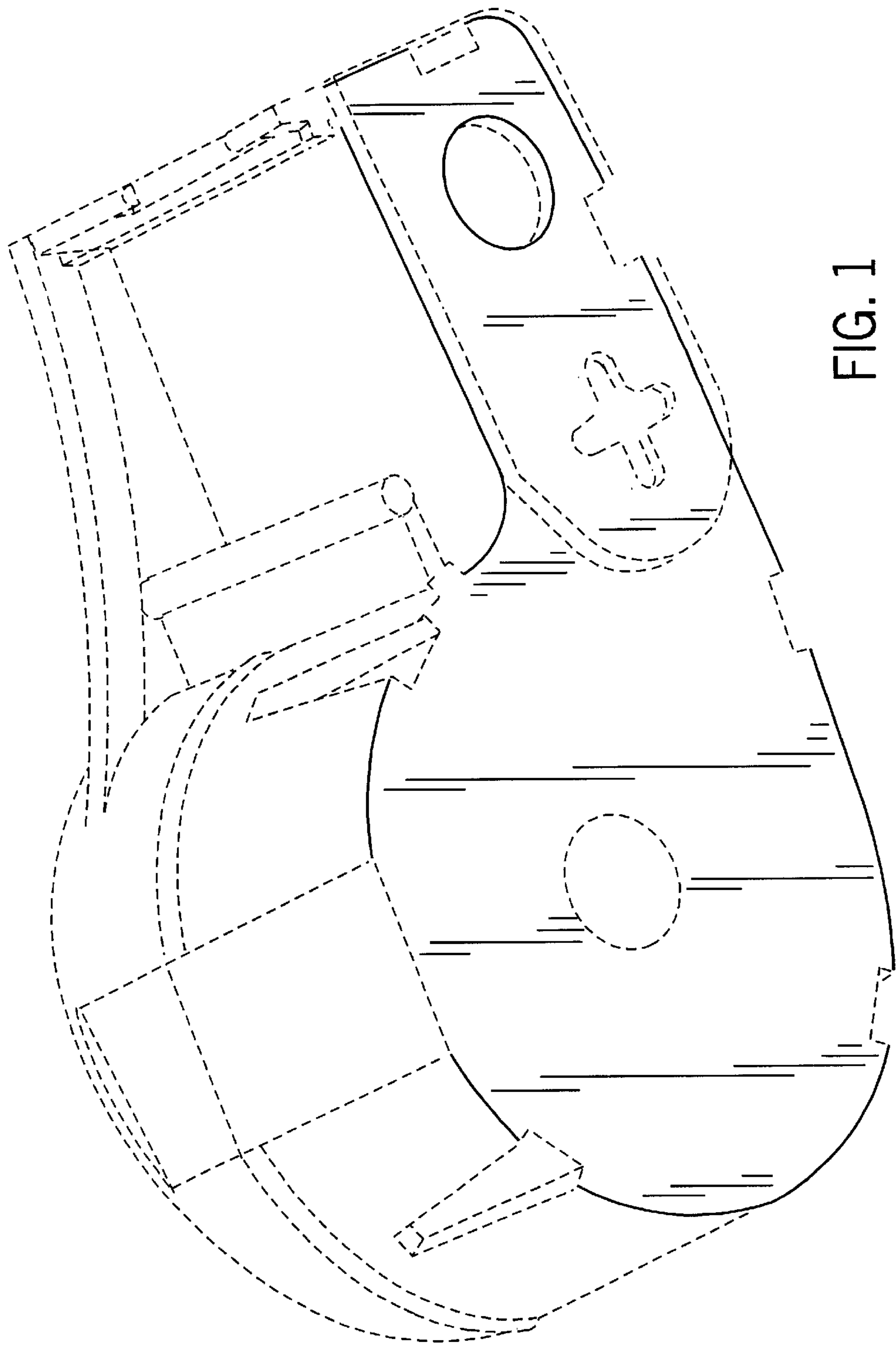


FIG. 1

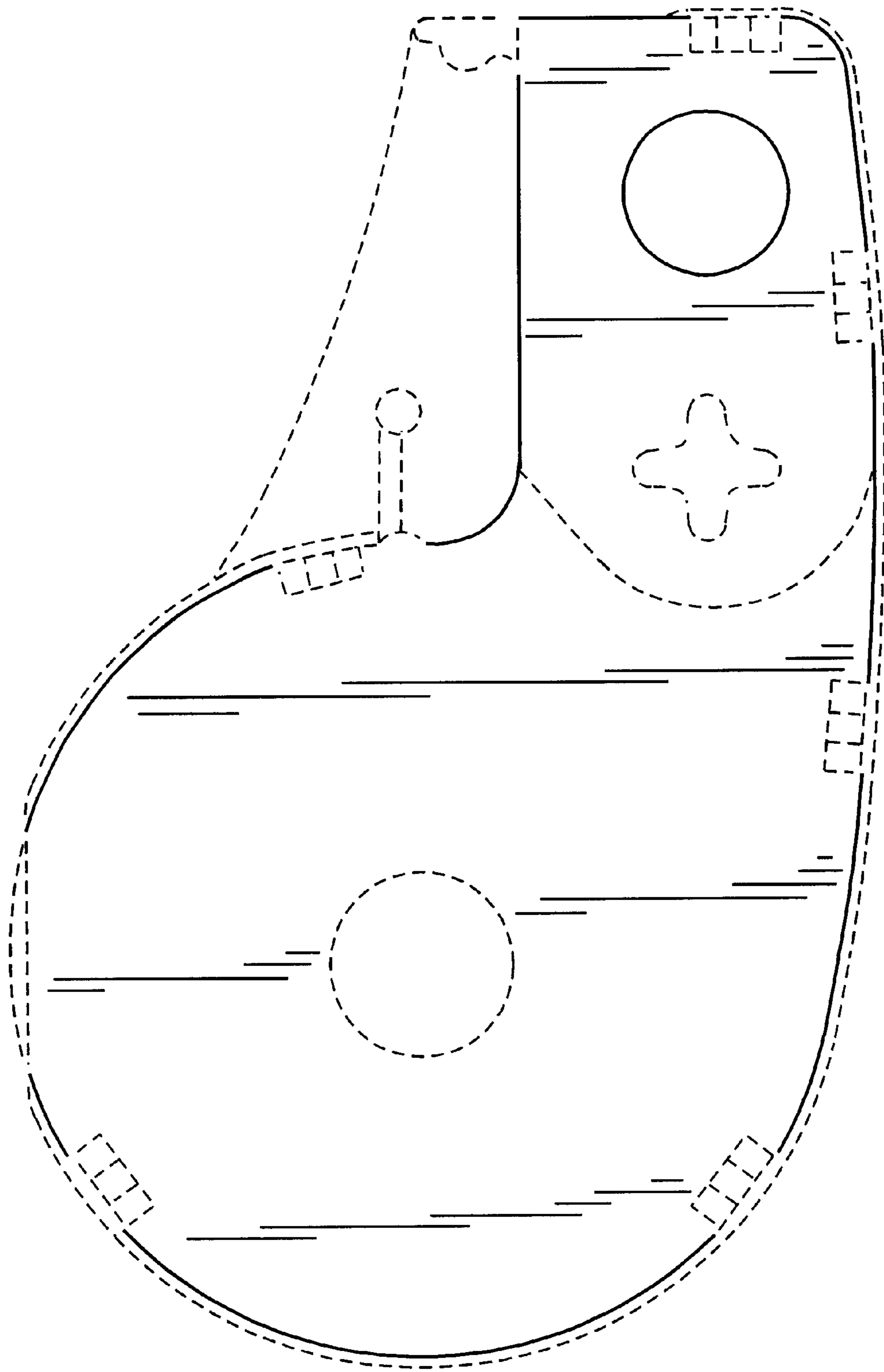


FIG. 2

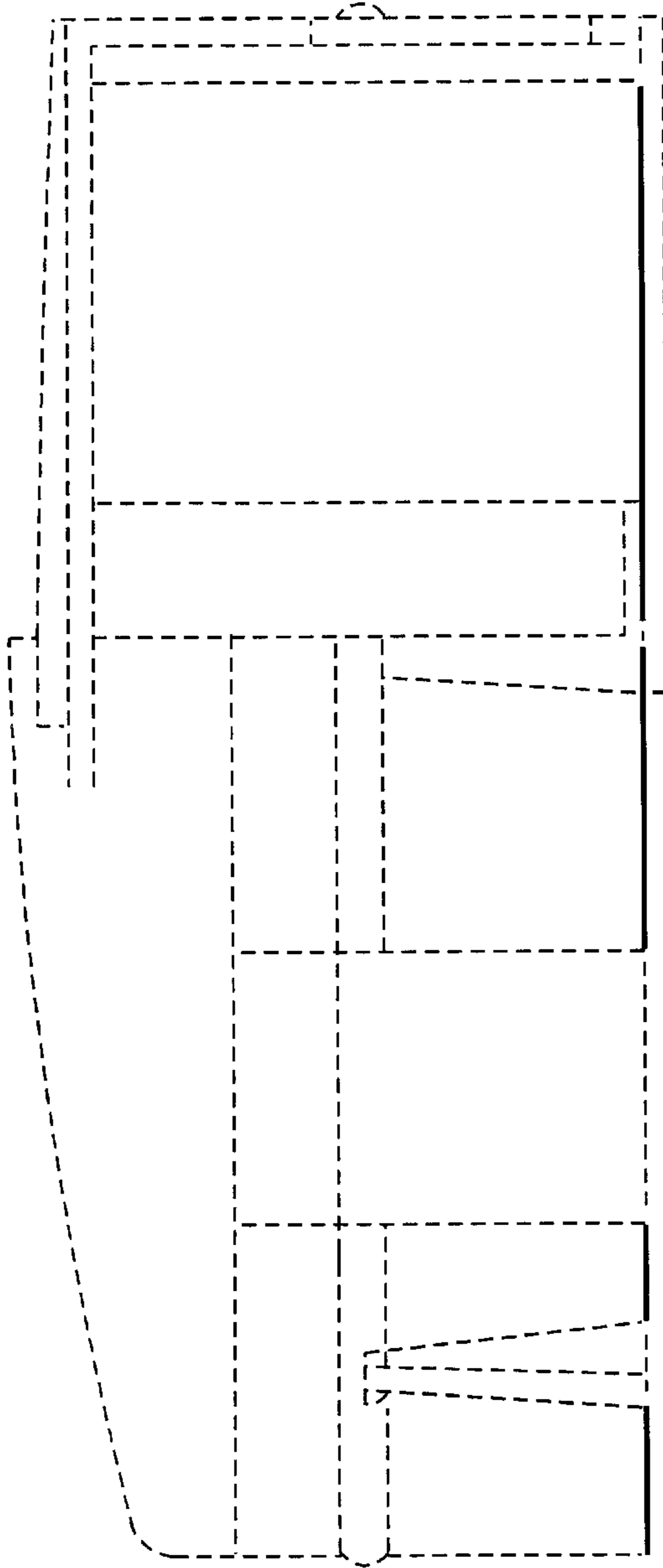


FIG. 3

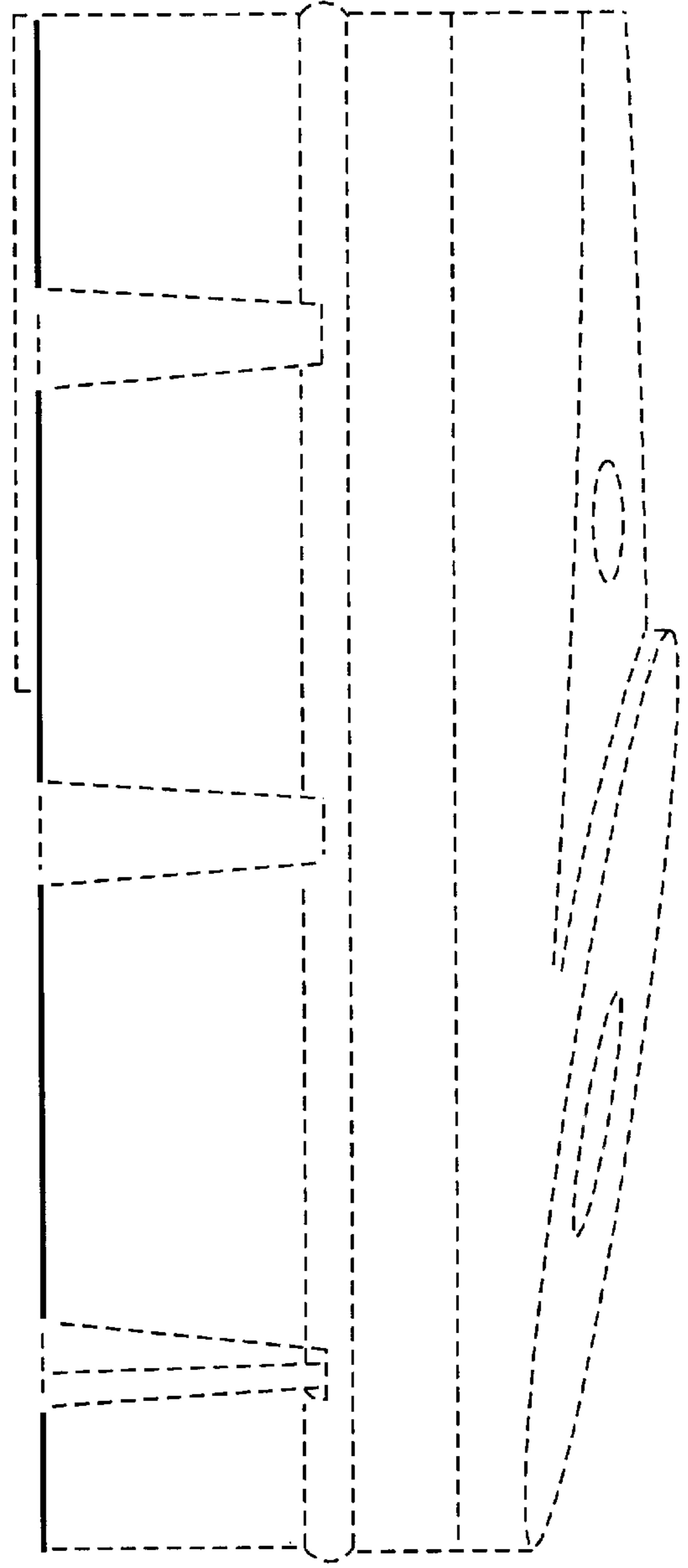


FIG. 4

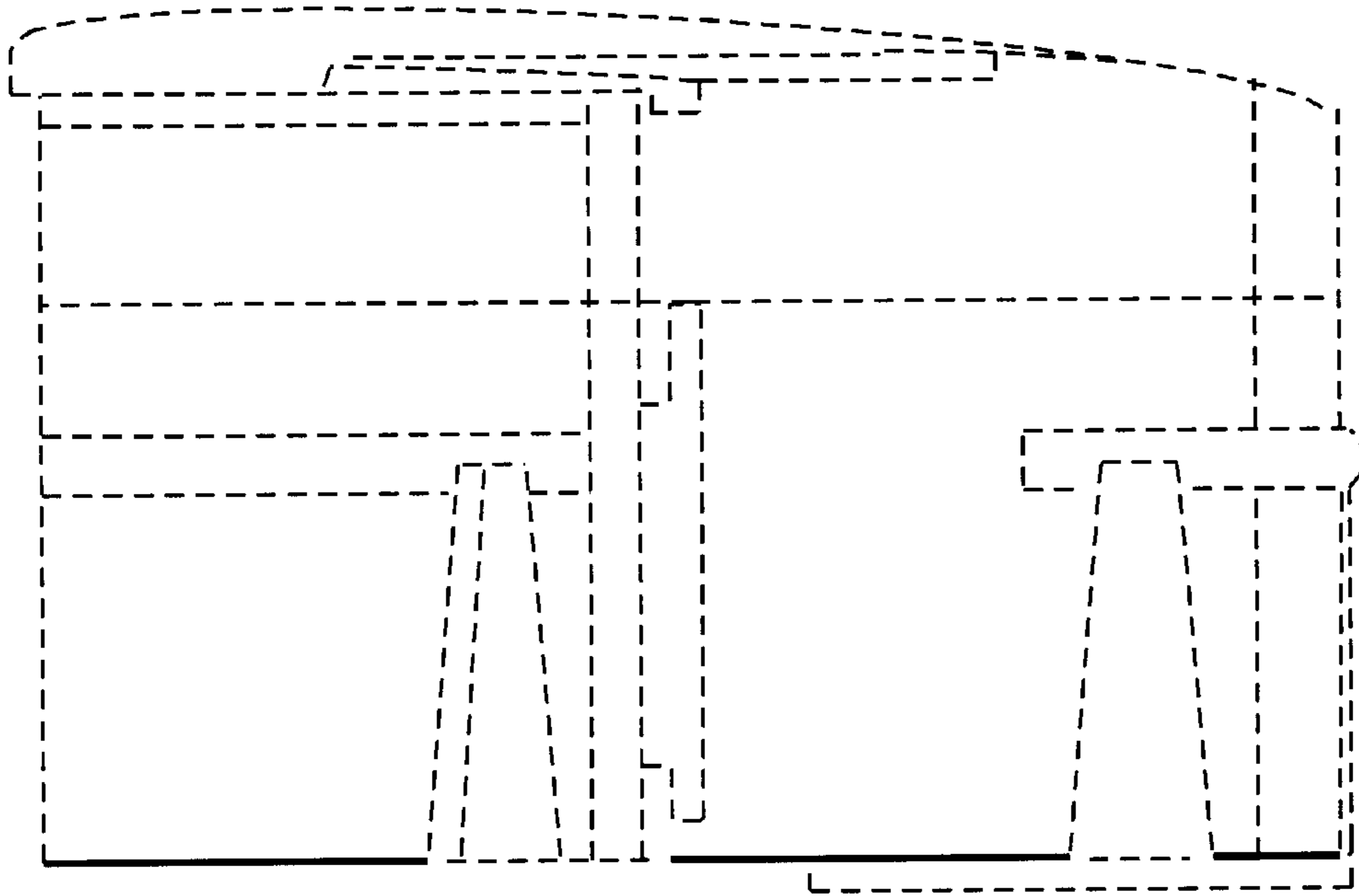


FIG. 6

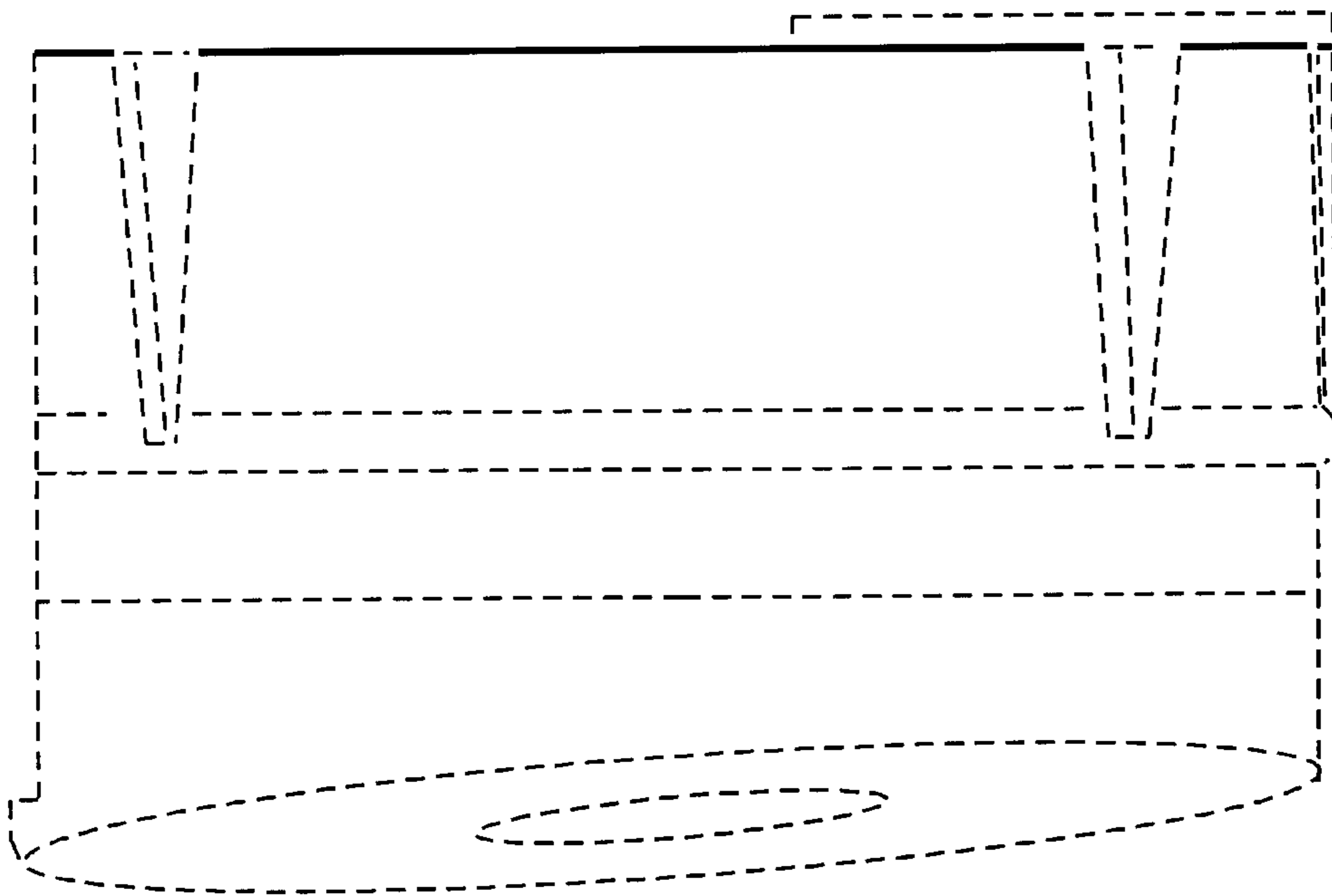


FIG. 5