



US00D486852S

(12) **United States Design Patent**
Shiozaki

(10) **Patent No.:** **US D486,852 S**

(45) **Date of Patent:** **** Feb. 17, 2004**

(54) **LASER BEAM PRINTER**

(75) Inventor: **Akihisa Shiozaki**, Fujisawa (JP)

(73) Assignee: **Canon Kabushiki Kaisha**, Tokyo (JP)

(**) Term: **14 Years**

(21) Appl. No.: **29/176,634**

(22) Filed: **Feb. 27, 2003**

(30) **Foreign Application Priority Data**

Sep. 4, 2002 (JP) 2002-023894

(51) **LOC (7) Cl.** **14-02**

(52) **U.S. Cl.** **D18/53**; D18/39

(58) **Field of Search** D18/36-41, 50-55;
D14/462-471; 399/1-7, 75, 81, 107, 151,
411, 139, 130, 364; 400/611-629

(56) **References Cited**

U.S. PATENT DOCUMENTS

D358,412 S	*	5/1995	Momose et al.	D18/39
D399,250 S	*	10/1998	Kawai	D18/55
D404,418 S	*	1/1999	Takeuchi	D18/39
D423,558 S	*	4/2000	Takimura	D18/39
D436,369 S		1/2001	Sasaki et al.	D18/39
D443,637 S		6/2001	Kusanagi et al.	D18/53

OTHER PUBLICATIONS

U.S. patent application Ser. No. 29/176,644, filed Feb. 27, 2003.

U.S. patent application Ser. No. 29/176,643, filed Feb. 27, 2003.

* cited by examiner

Primary Examiner—Caron D. Veynar

(74) *Attorney, Agent, or Firm*—Fitzpatrick, Cella, Harper & Scinto

(57) **CLAIM**

The ornamental design for a laser beam printer, as shown and described.

DESCRIPTION

FIG. 1 is a front view of a laser beam printer showing my new design;

FIG. 2 is a rear view thereof;

FIG. 3 is a top plan view thereof;

FIG. 4 is a bottom plan view thereof;

FIG. 5 is a left side view thereof;

FIG. 6 is a right side view thereof; and,

FIG. 7 is a perspective view thereof.

1 Claim, 7 Drawing Sheets

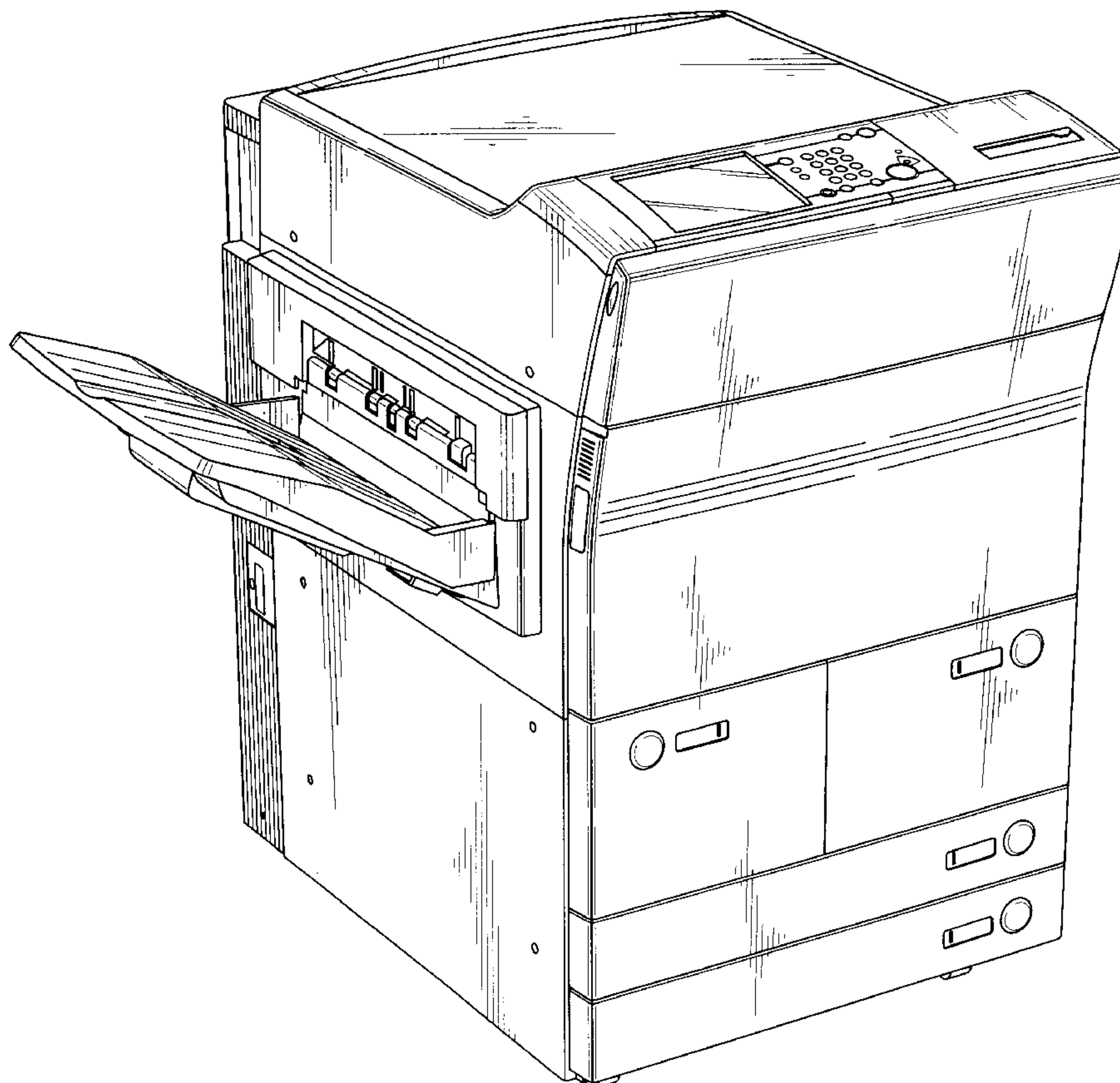


FIG. 1

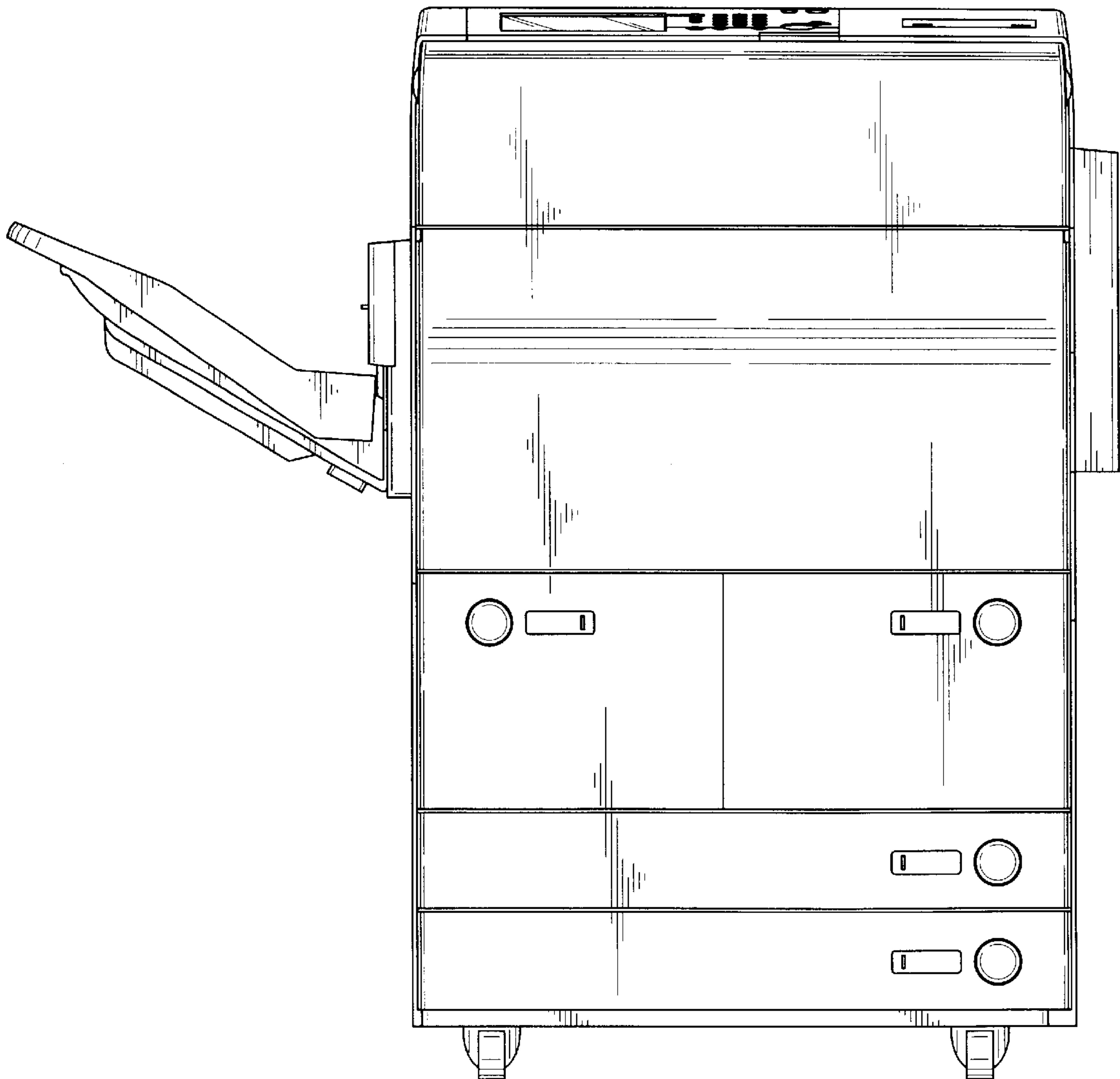


FIG. 2

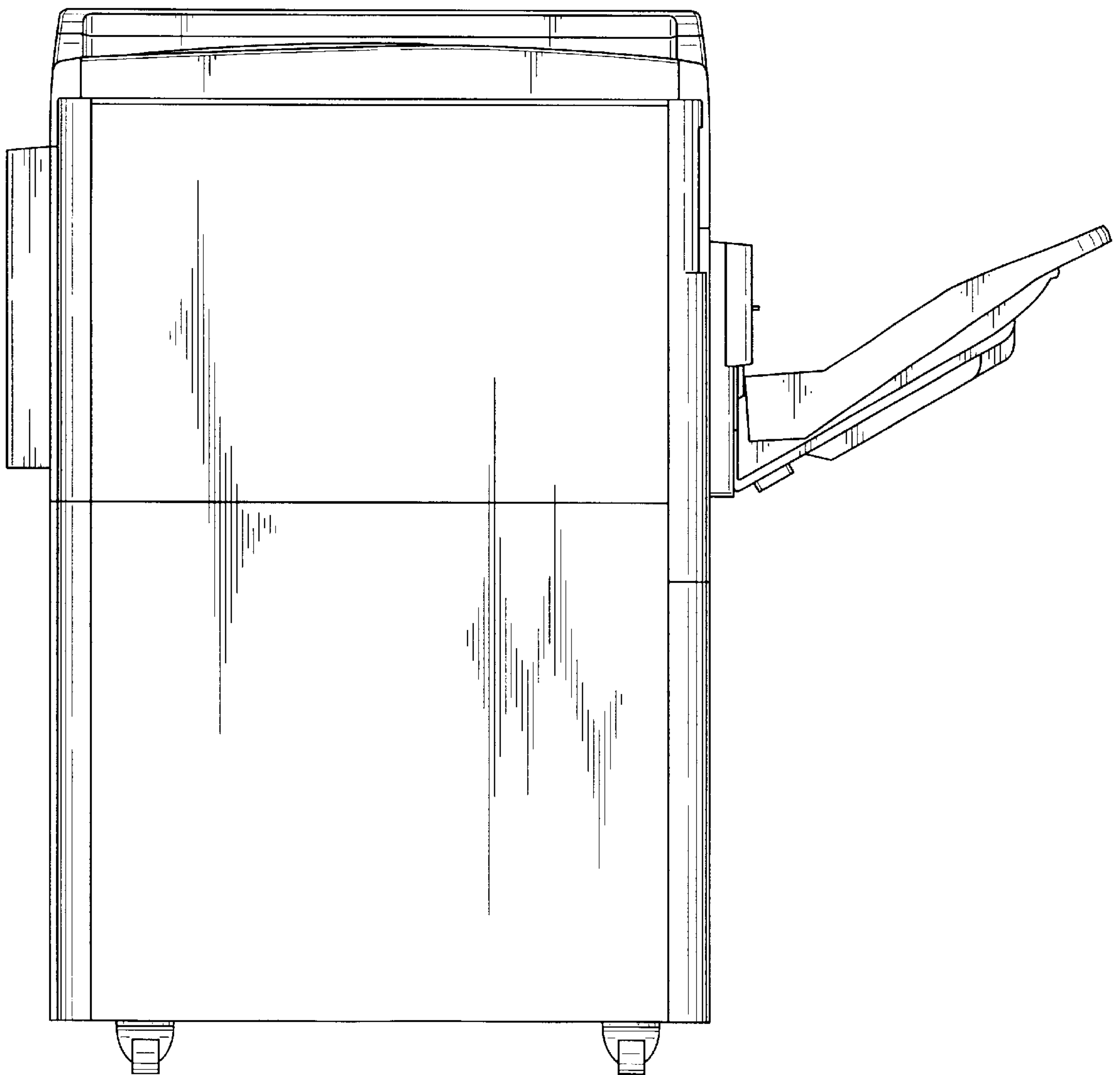


FIG. 3

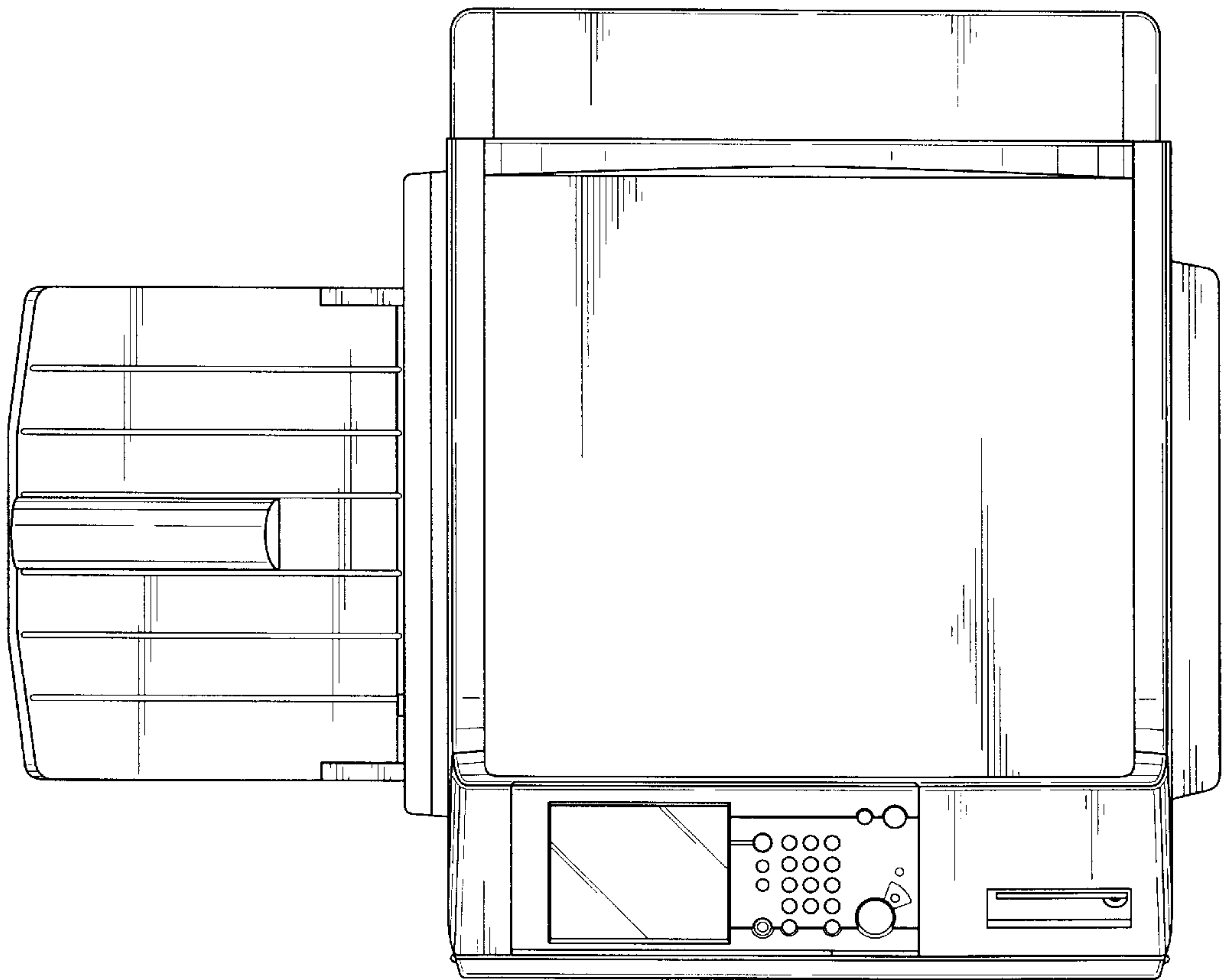


FIG. 4

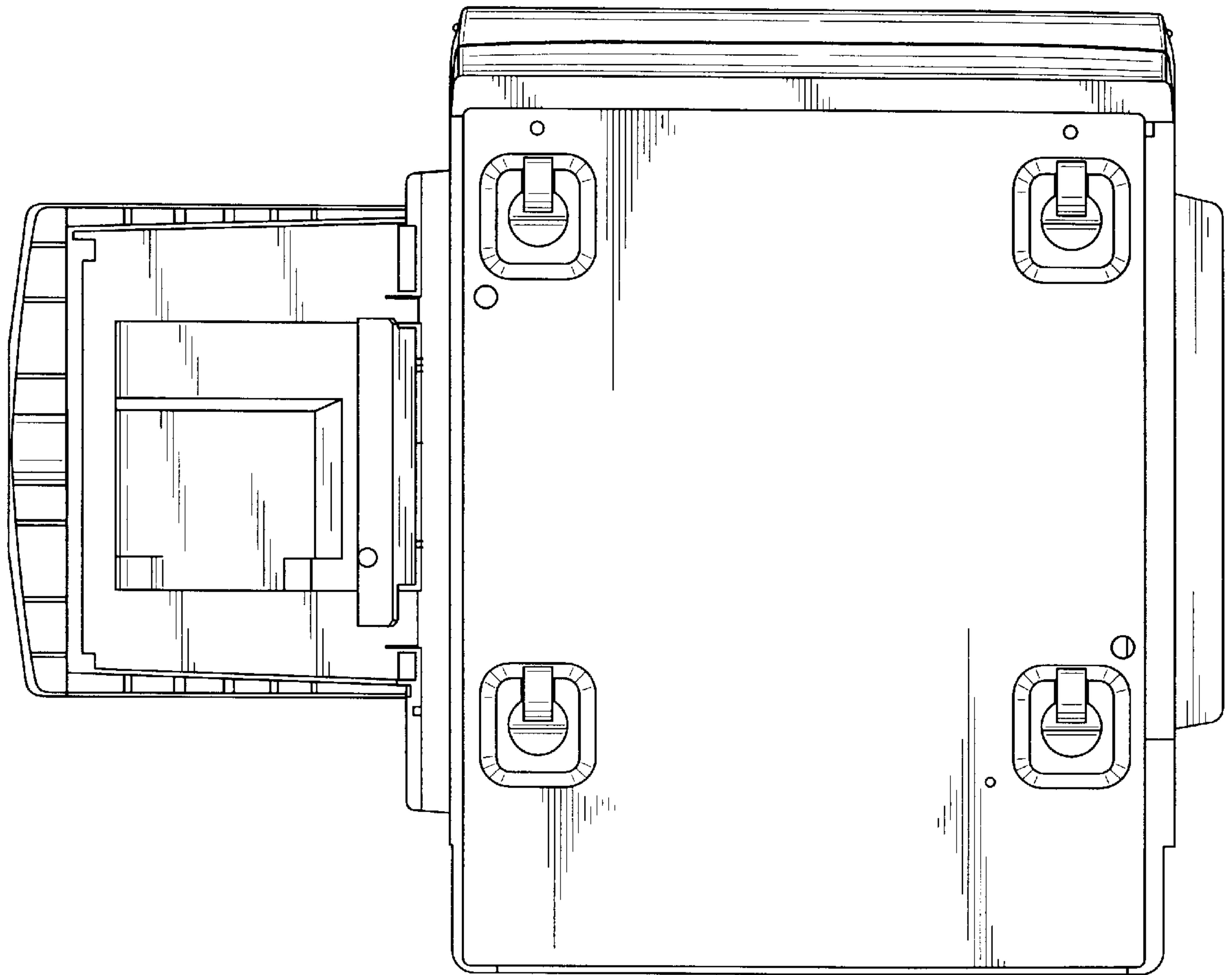


FIG. 5

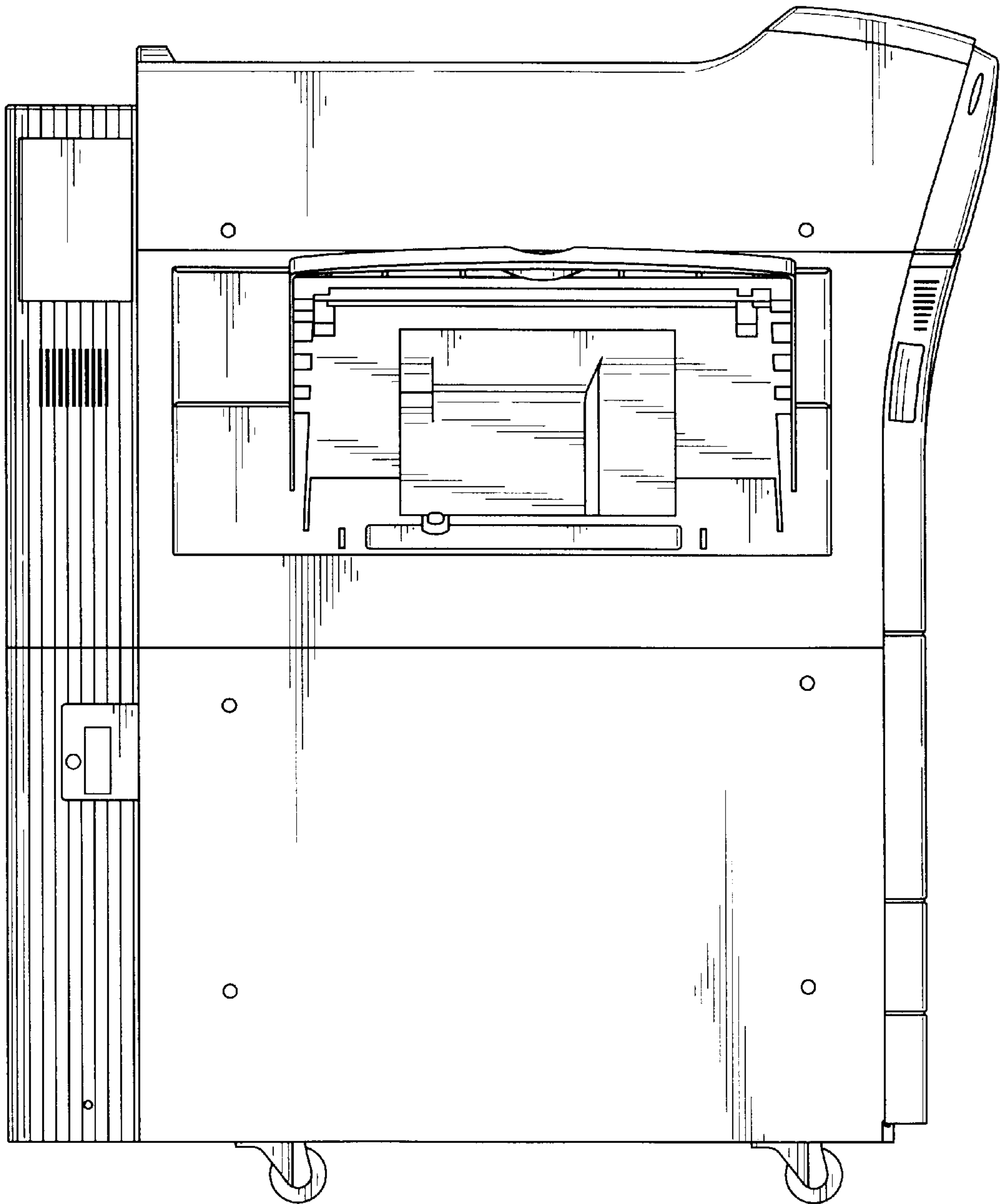


FIG. 6

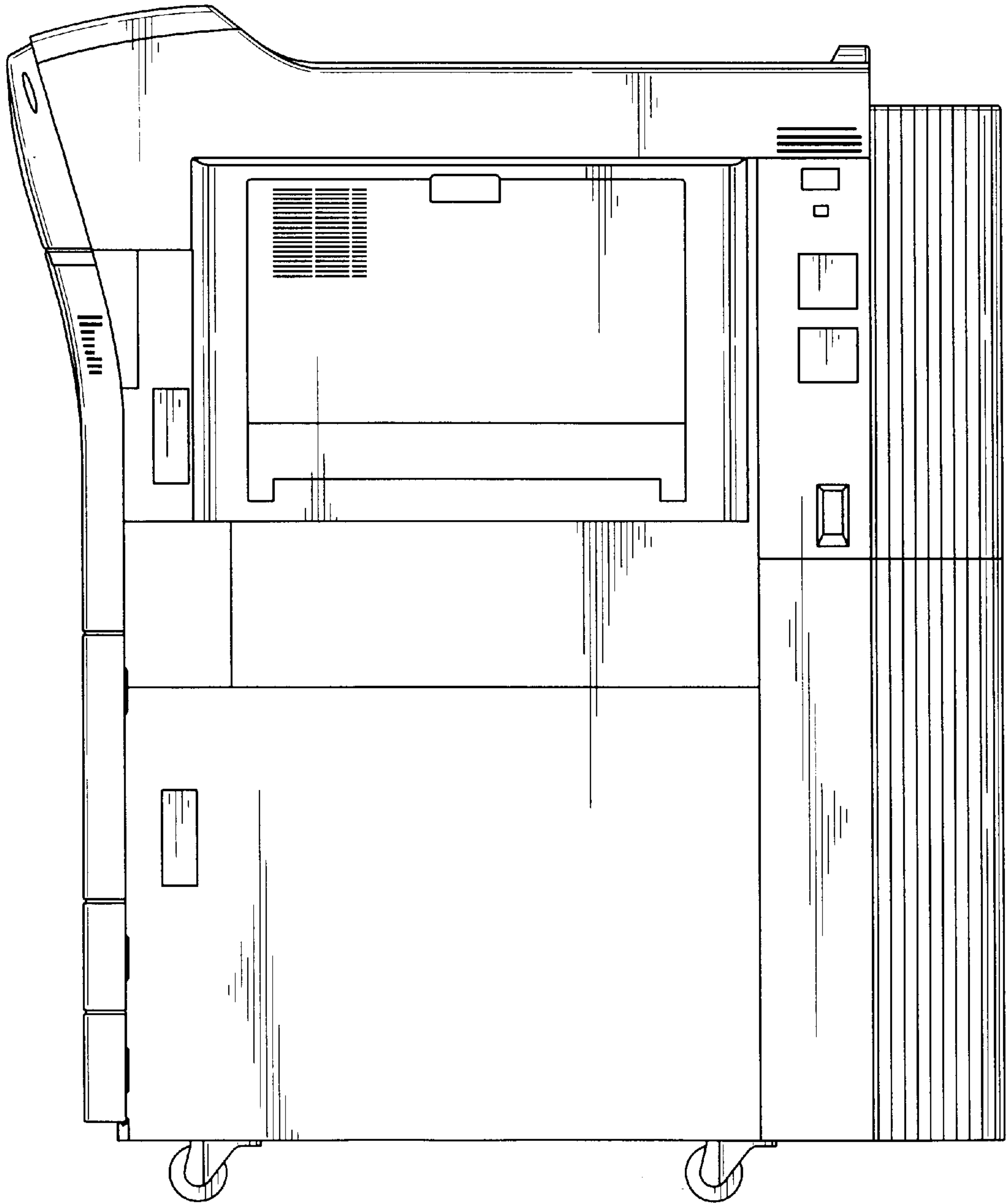


FIG. 7

