



US00D486850S

(12) **United States Design Patent**  
**Griffith**

(10) **Patent No.:** **US D486,850 S**

(45) **Date of Patent:** **\*\* Feb. 17, 2004**

(54) **TSP PORTABLE ELECTRONIC TOLL  
READER**

(76) **Inventor:** **Hugh McArthur Griffith**, 7804  
Chediston Cir., Orlando, FL (US) 32817

(\*\*) **Term:** **14 Years**

(21) **Appl. No.:** **29/179,631**

(22) **Filed:** **Apr. 12, 2003**

(51) **LOC (7) Cl.** ..... **19-02**

(52) **U.S. Cl.** ..... **D18/12.3; D99/34**

(58) **Field of Search** ..... **D18/12.3, 3.1;**  
**D99/28, 34; D10/2, 15, 40; 235/33, 45;**  
**232/4 R**

(56) **References Cited**

**U.S. PATENT DOCUMENTS**

1,380,050	A	*	5/1921	Fisher	.....	232/4	R
2,903,183	A	*	9/1959	Velepec	.....	232/4	R
D285,858	S	*	9/1986	Ooki	.....	D99/34	
D304,304	S	*	10/1989	Charet et al.	.....	D99/34	
D333,272	S	*	2/1993	Peersmann	.....	D10/15	
5,805,082	A		9/1998	Hassett			

D422,515	S	*	4/2000	Kuo	.....	D10/40	
6,356,836	B1		3/2002	Adolph			
6,366,220	B1		4/2002	Elliott			
6,459,385	B2		10/2002	Yamashita			
6,493,562	B2		12/2002	Yoshida et al.			
6,493,676	B1		12/2002	Levy			

\* cited by examiner

*Primary Examiner*—Paula A. Mortimer

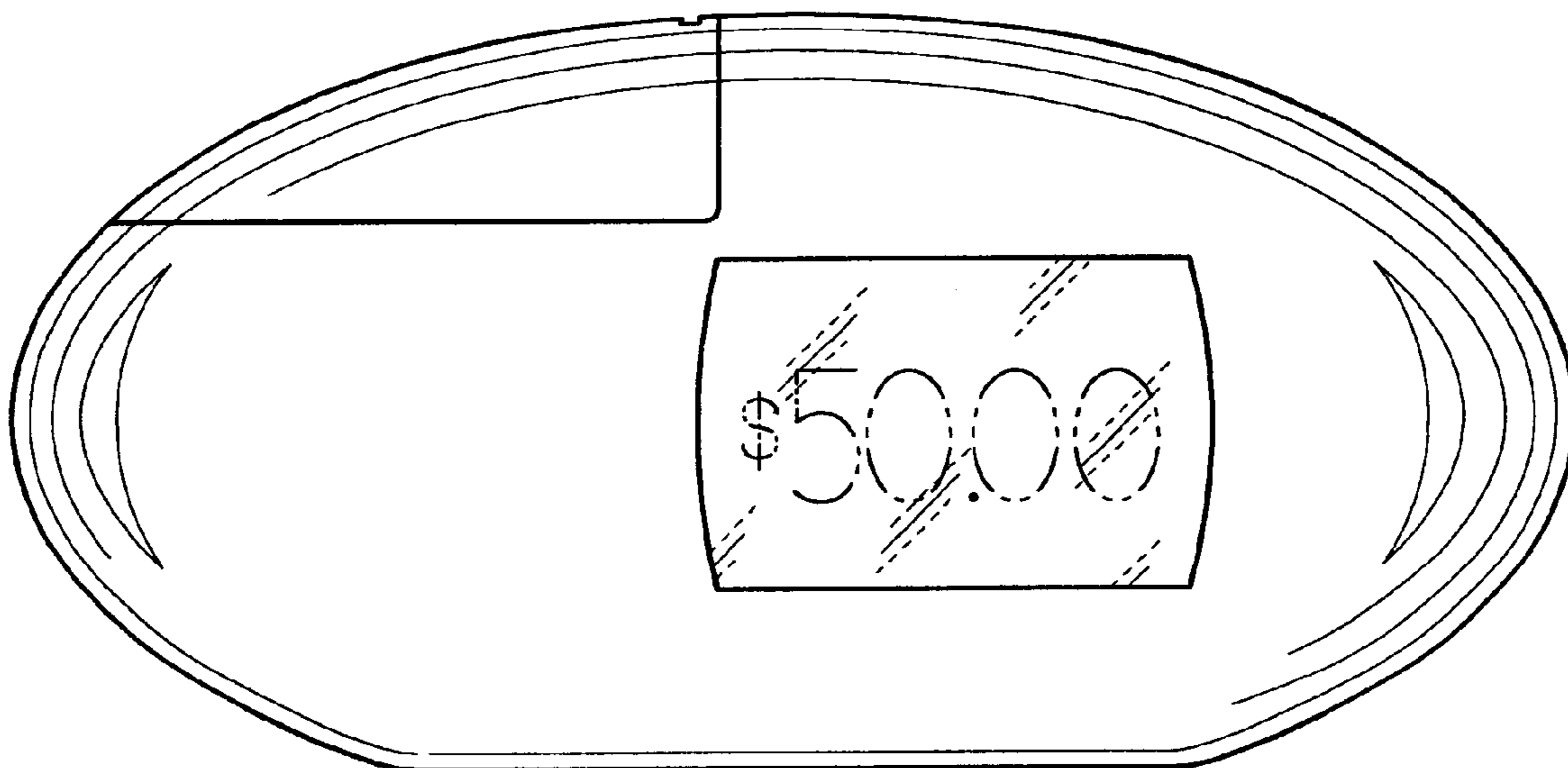
(57) **CLAIM**

The ornamental design for a TSP portable electronic toll reader, as shown and described.

**DESCRIPTION**

FIG. 1 is a front elevational view of a TSP portable electronic toll reader showing my new design; FIG. 2 is a rear elevational view thereof; FIG. 3 is a right side elevational view thereof; FIG. 4 is a left side elevational view thereof; FIG. 5 is a top plan view thereof; and, FIG. 6 is a bottom plan view thereof. The broken lines in FIG. 1 is for illustrative purposes only and forms no part of the claimed design.

**1 Claim, 3 Drawing Sheets**



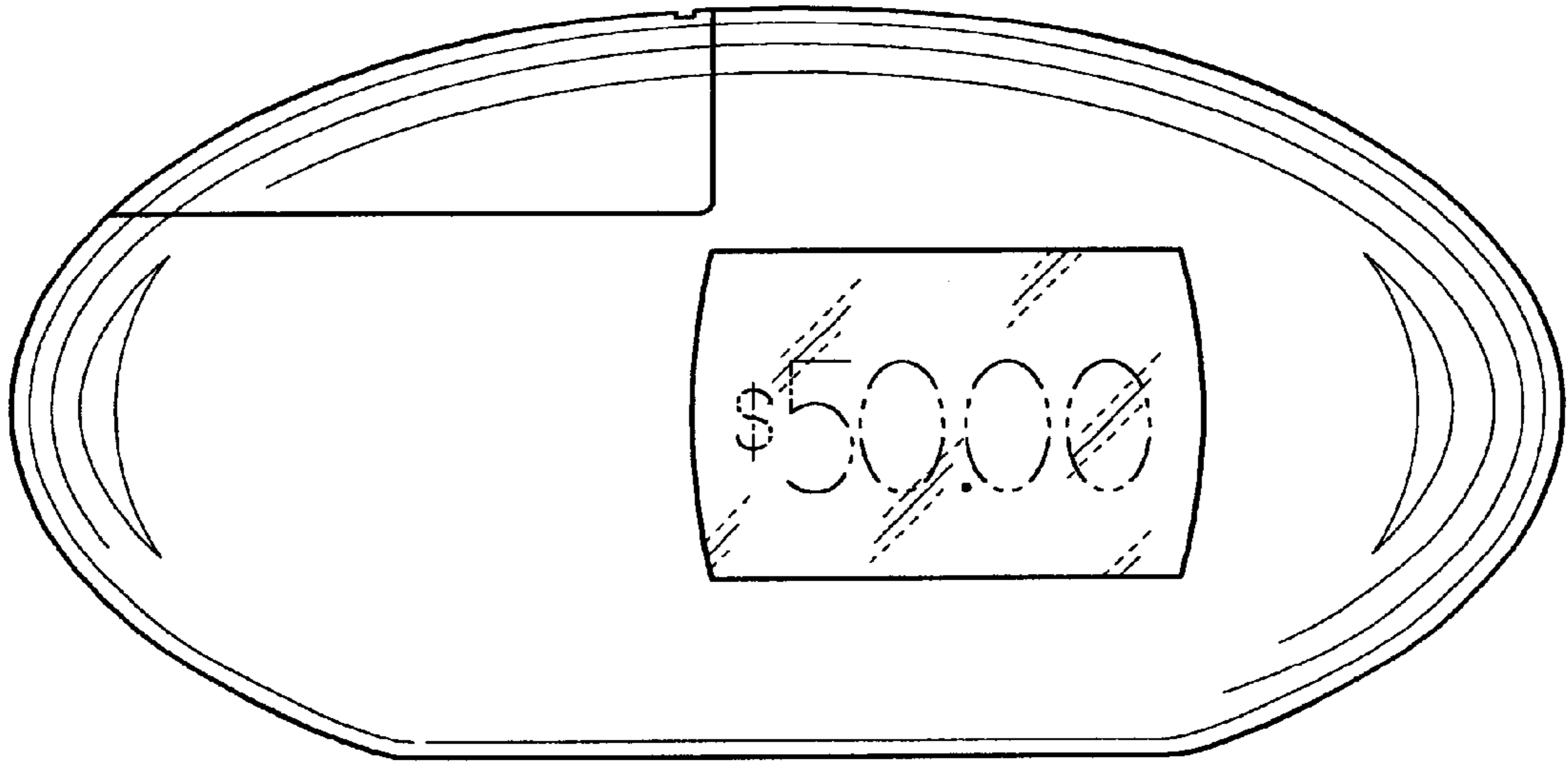


FIG. 1

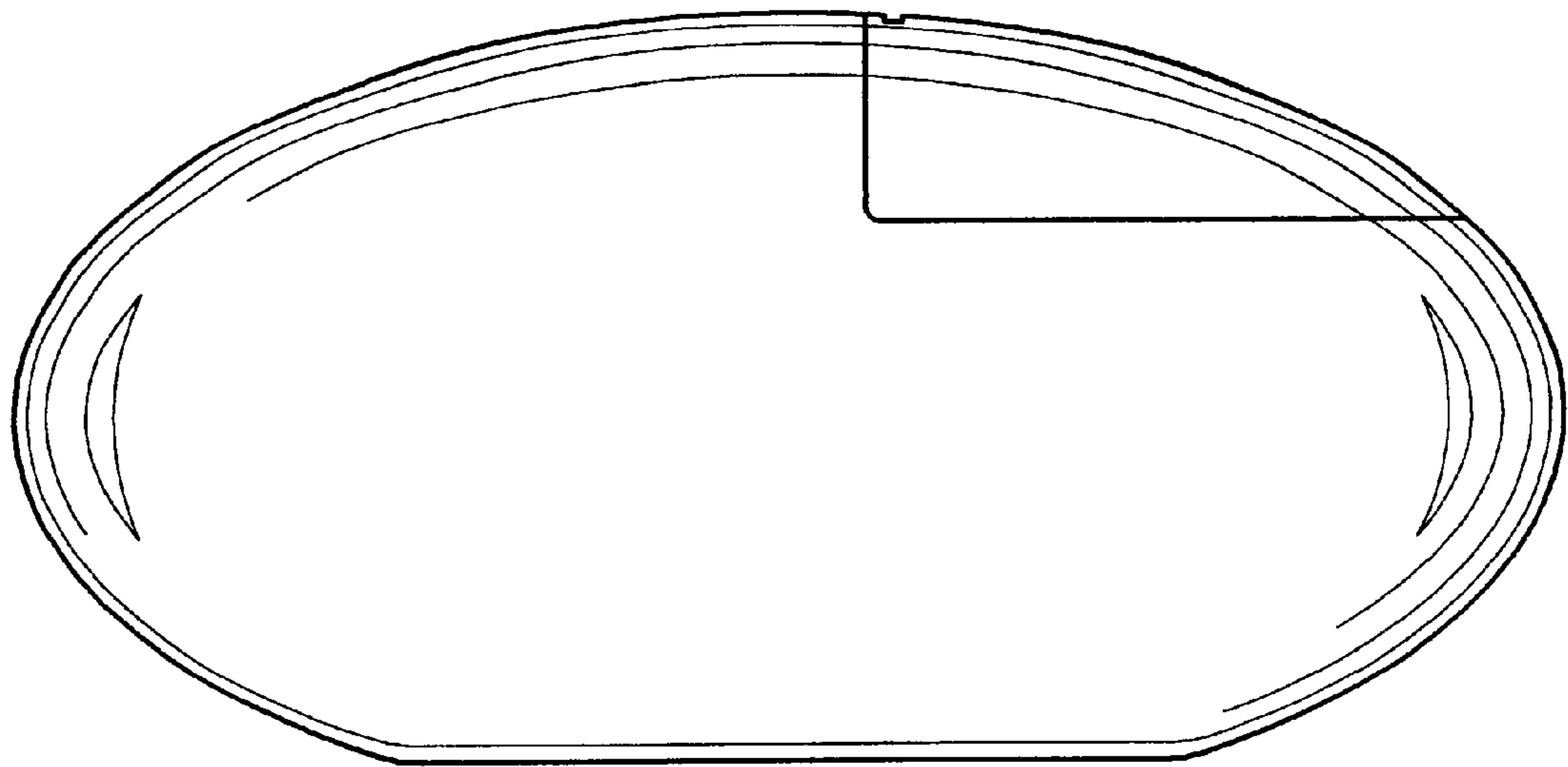


FIG. 2

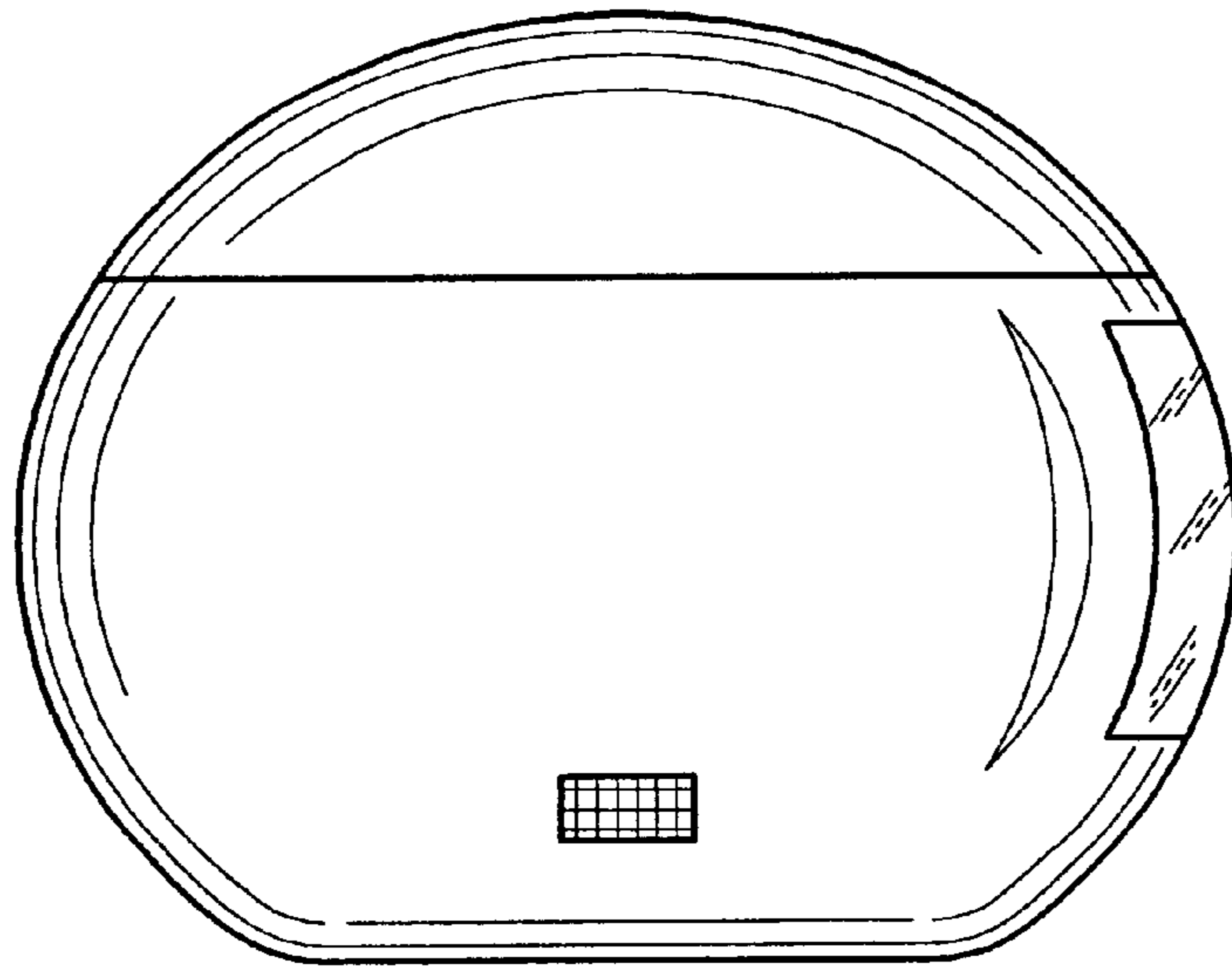


FIG.3

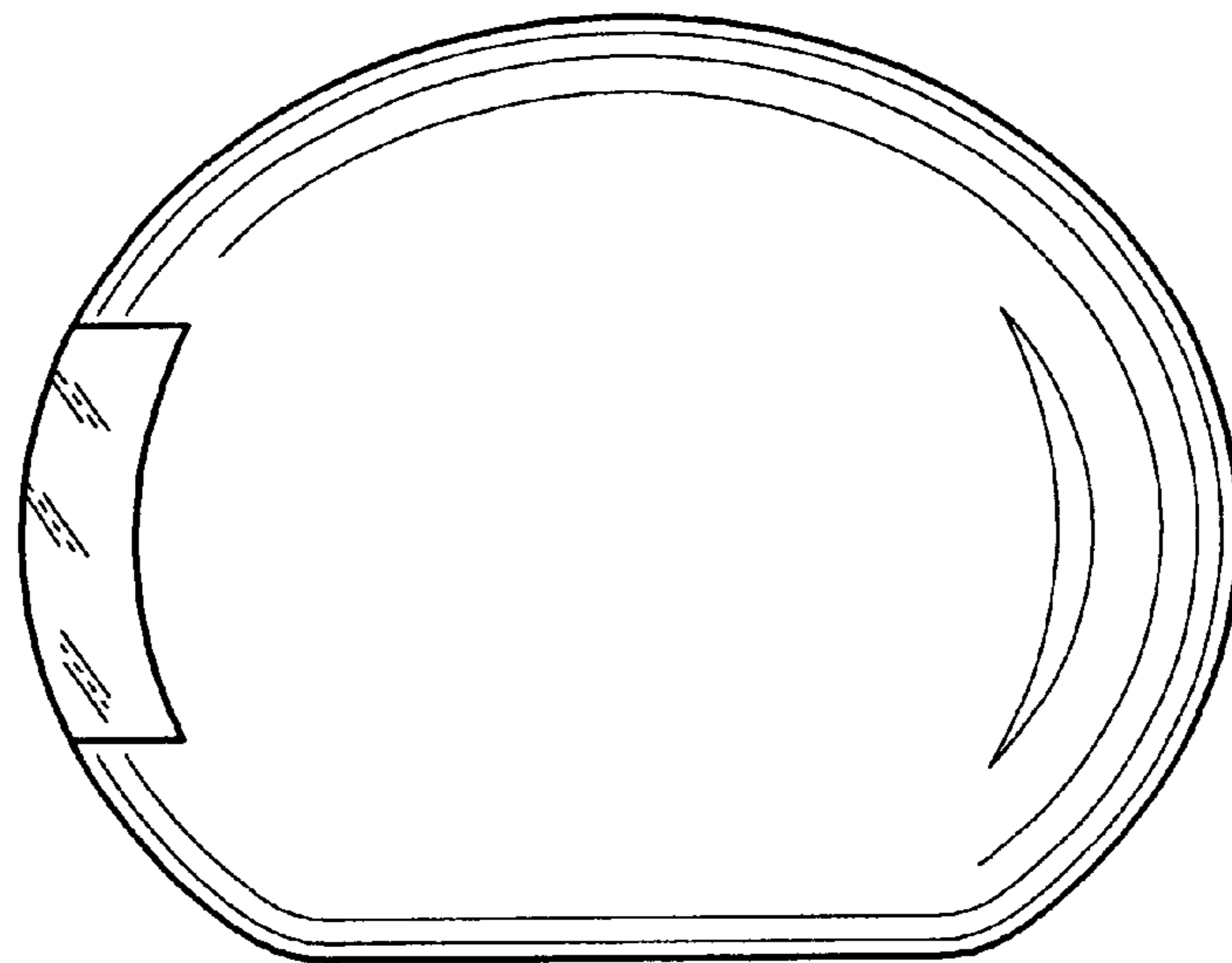


FIG.4

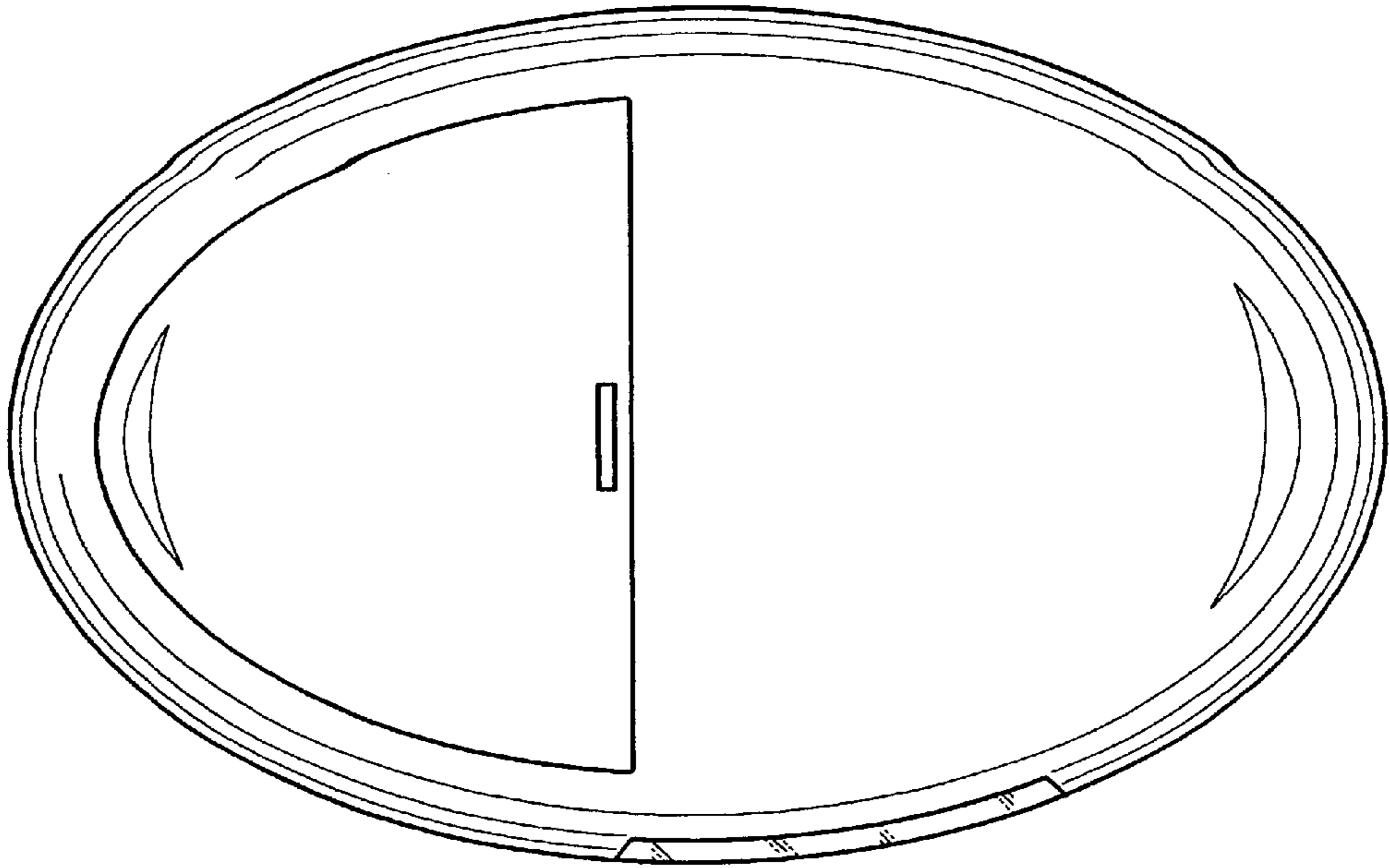


FIG. 5

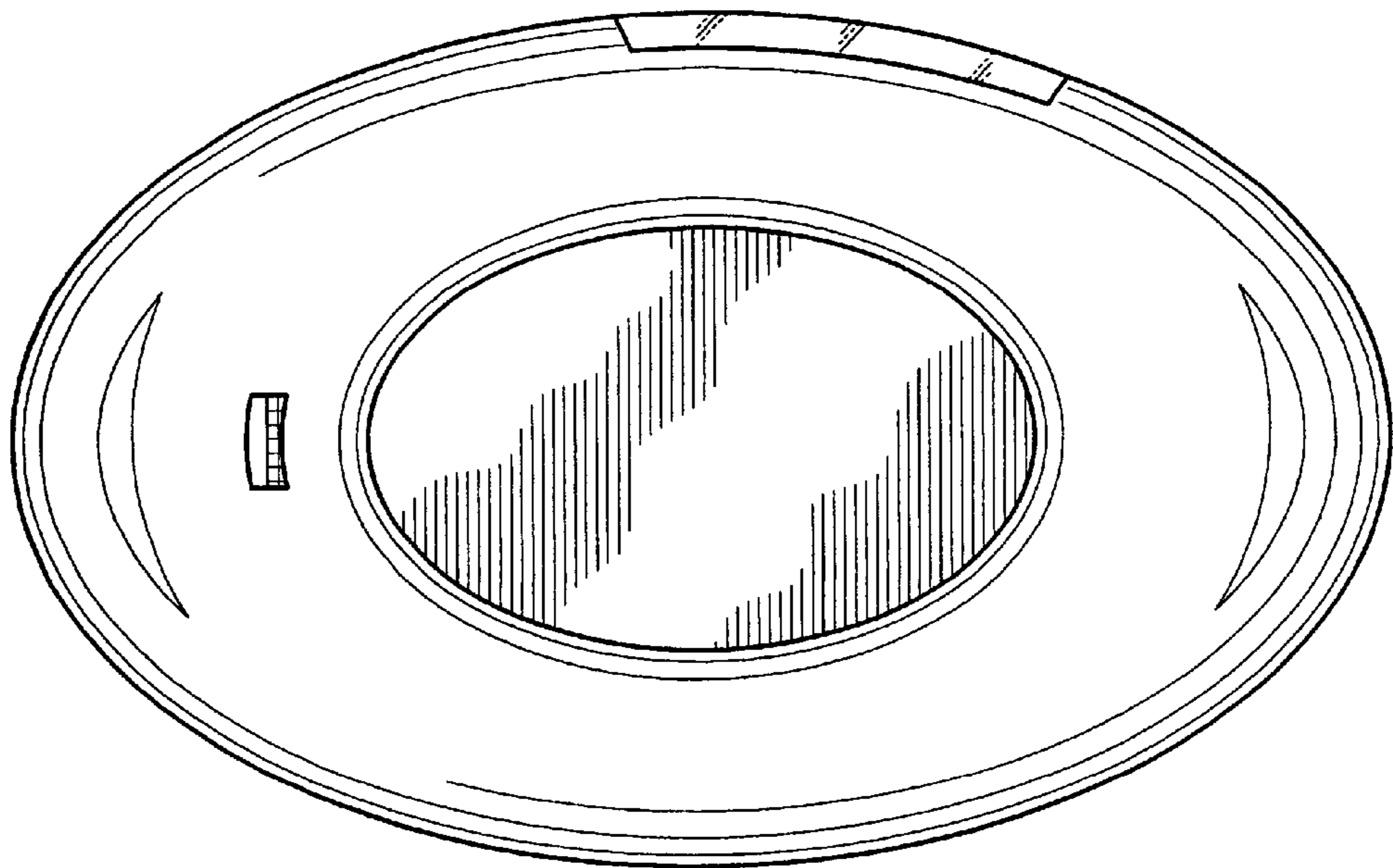


FIG. 6