



US00D486849S

(12) **United States Design Patent**
Friedricks et al.

(10) **Patent No.:** **US D486,849 S**

(45) **Date of Patent:** **** Feb. 17, 2004**

(54) **CAMERA RECEIVER**

D459,725 S * 7/2002 Lee et al. D14/358

* cited by examiner

(75) Inventors: **Bruce A. Friedricks**, Larkspur, CA (US); **Mitchel Kampf**, Belmont, CA (US); **Rico Luitpold Zorkendorfer**, San Francisco, CA (US); **Christopher Leroy Frank**, San Francisco, CA (US)

Primary Examiner—Adir Aronovich
(74) *Attorney, Agent, or Firm*—Townsend and Townsend and Crew LLP

(73) Assignee: **Logitech Europe S.A.** (CH)

(57) **CLAIM**

(**) Term: **14 Years**

The ornamental design for camera receiver, as shown and described.

(21) Appl. No.: **29/159,676**

DESCRIPTION

(22) Filed: **Apr. 26, 2002**

FIG. 1 is a perspective view of a camera receiver showing our new design with the antenna in an unfolded position; FIG. 2 is a reduced front elevational view thereof; FIG. 3 is a top plan view thereof; FIG. 4 is a left side elevational view thereof; FIG. 5 is a right side elevational view thereof; FIG. 6 is a bottom plan view thereof; FIG. 7 is a rear elevational view thereof; and, FIG. 8 is a perspective view thereof with the antenna in a folded position.

(51) **LOC (7) Cl.** **16-05**

(52) **U.S. Cl.** **D16/237; D14/358**

(58) **Field of Search** D14/126, 188, D14/317, 358, 343; D16/200, 201, 208, 219, 237; 348/143; 396/56, 59, 182

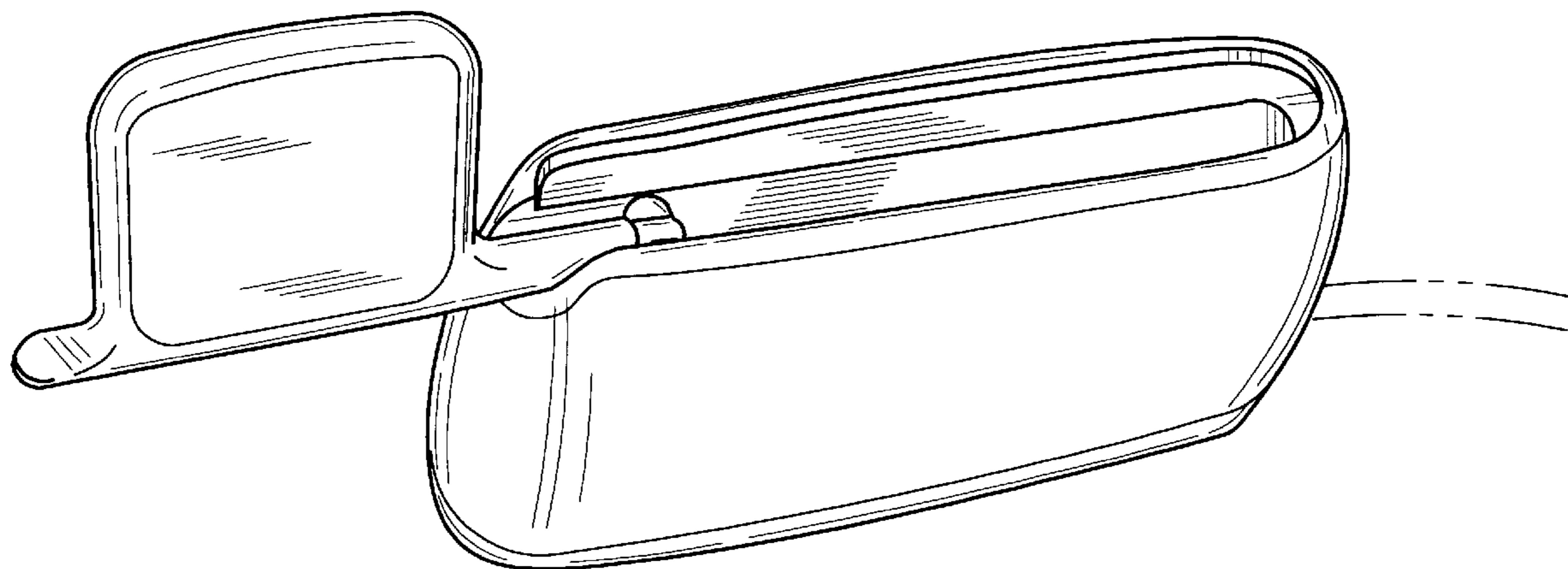
The broken line showing of a fragmentary cord is to illustrate environment only and forms no part of the claimed design.

(56) **References Cited**

U.S. PATENT DOCUMENTS

- 5,255,038 A * 10/1993 Suzuka 396/59
- D442,925 S * 5/2001 Backs et al. D14/126
- D452,232 S * 12/2001 Hayasaka et al. D14/317

1 Claim, 3 Drawing Sheets



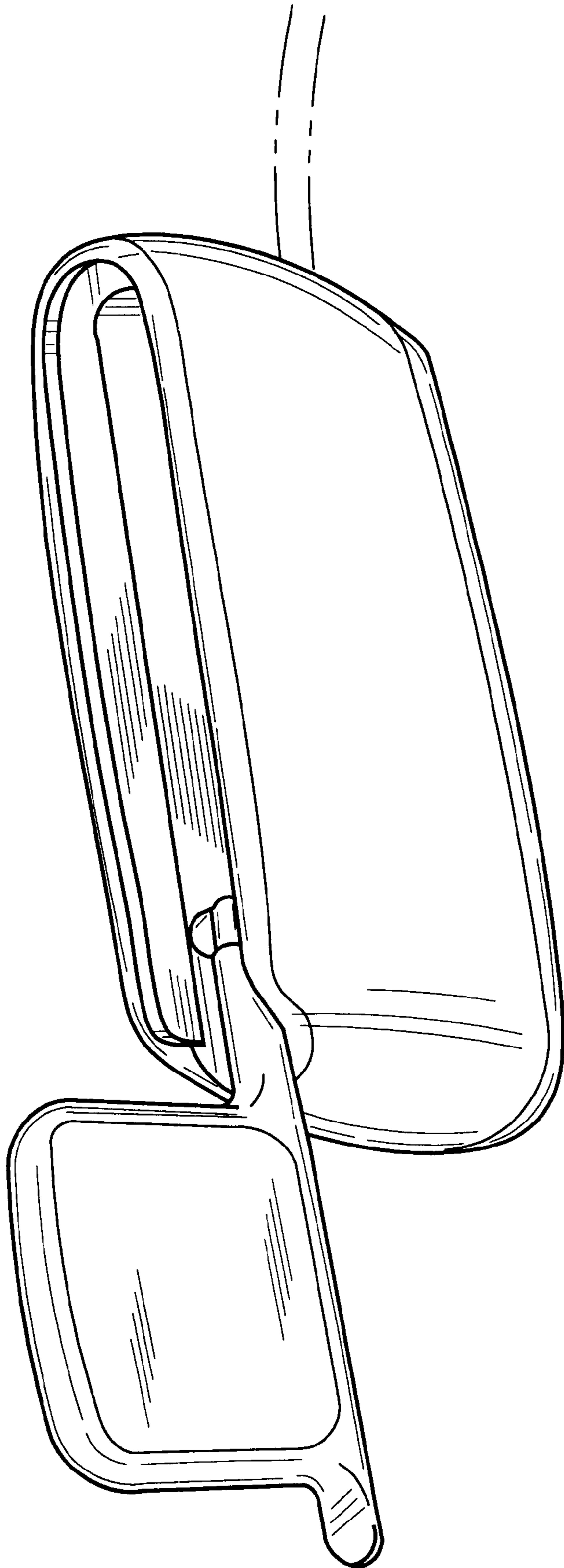


FIG. 1

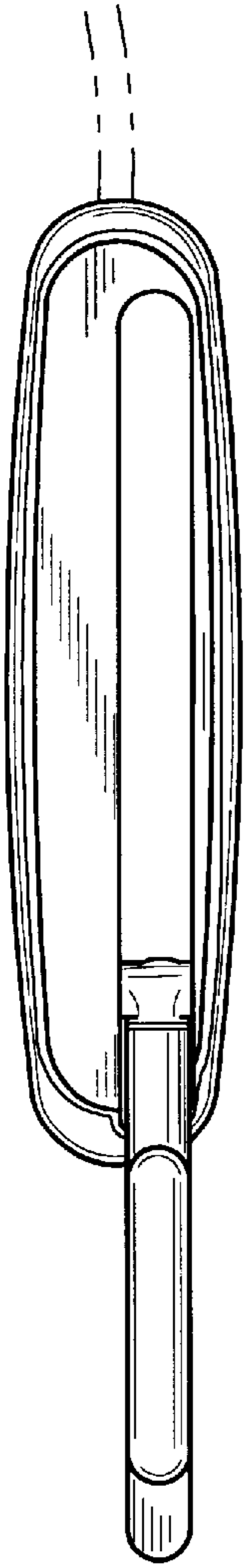


FIG. 3

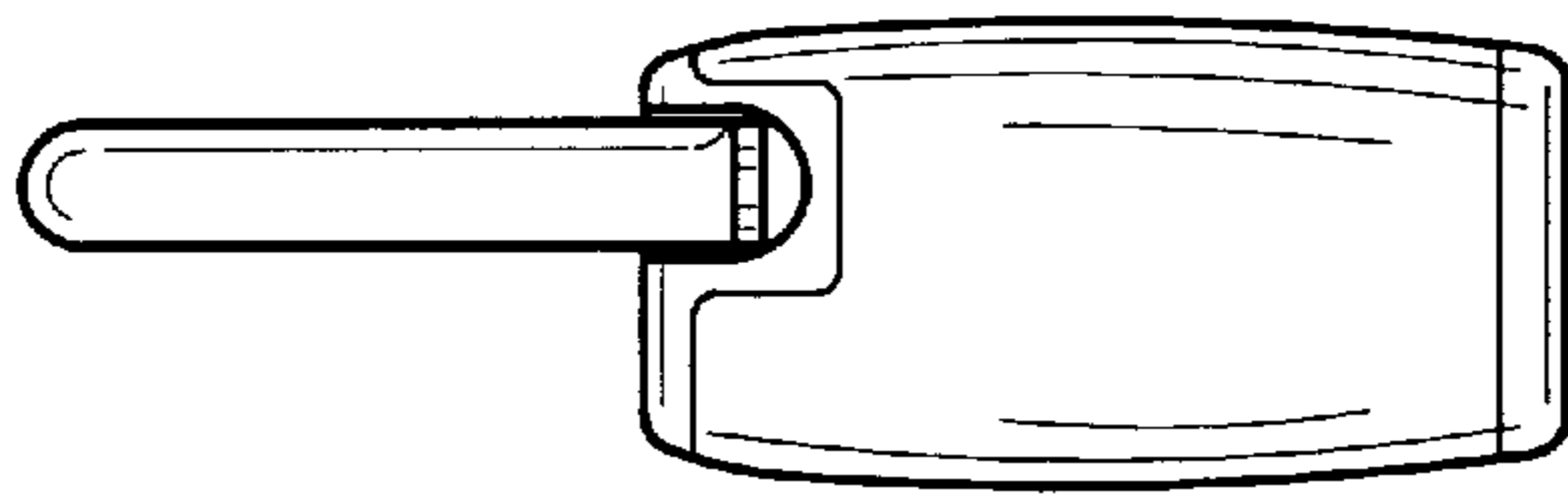


FIG. 4

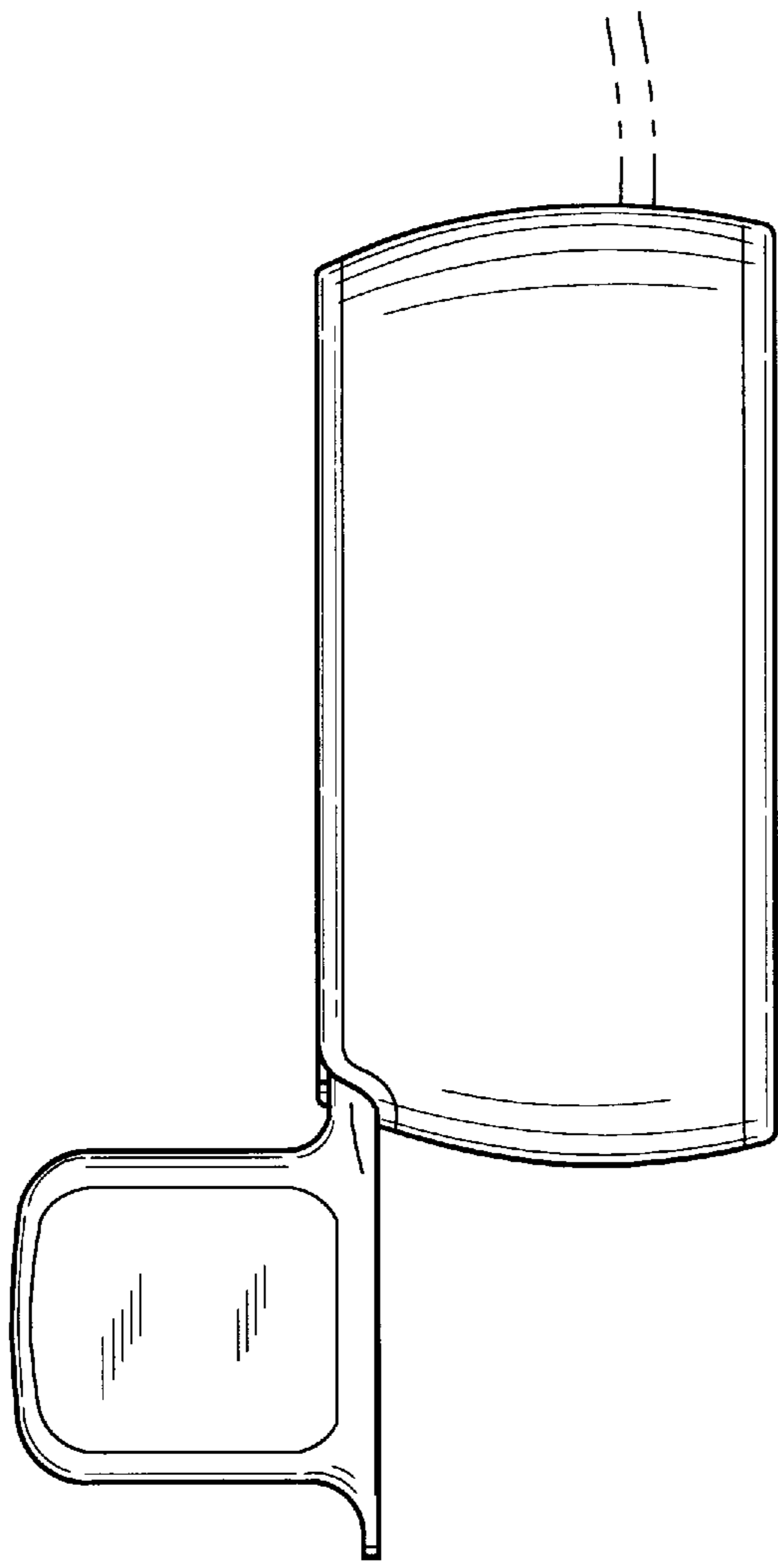


FIG. 2

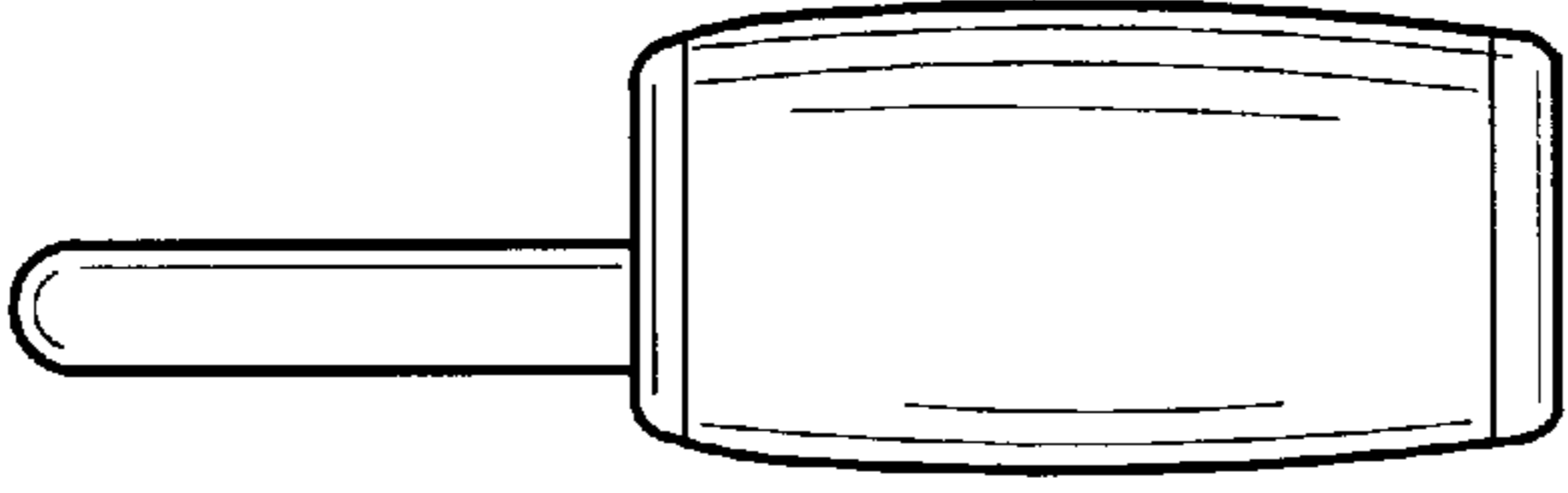


FIG. 5

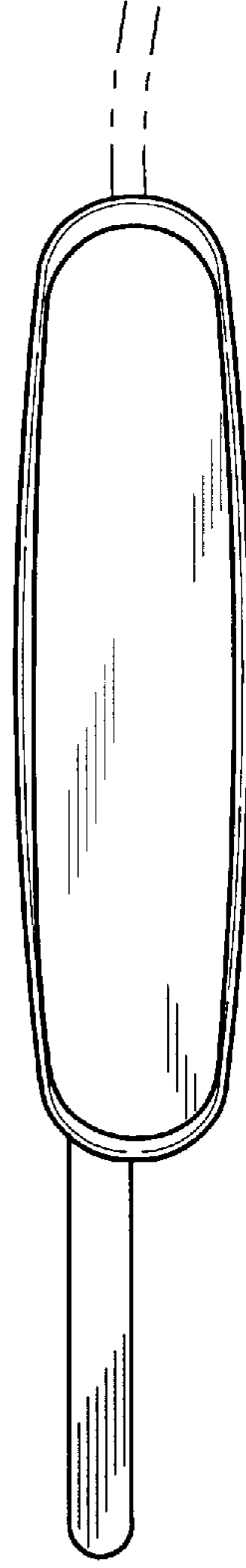


FIG. 6

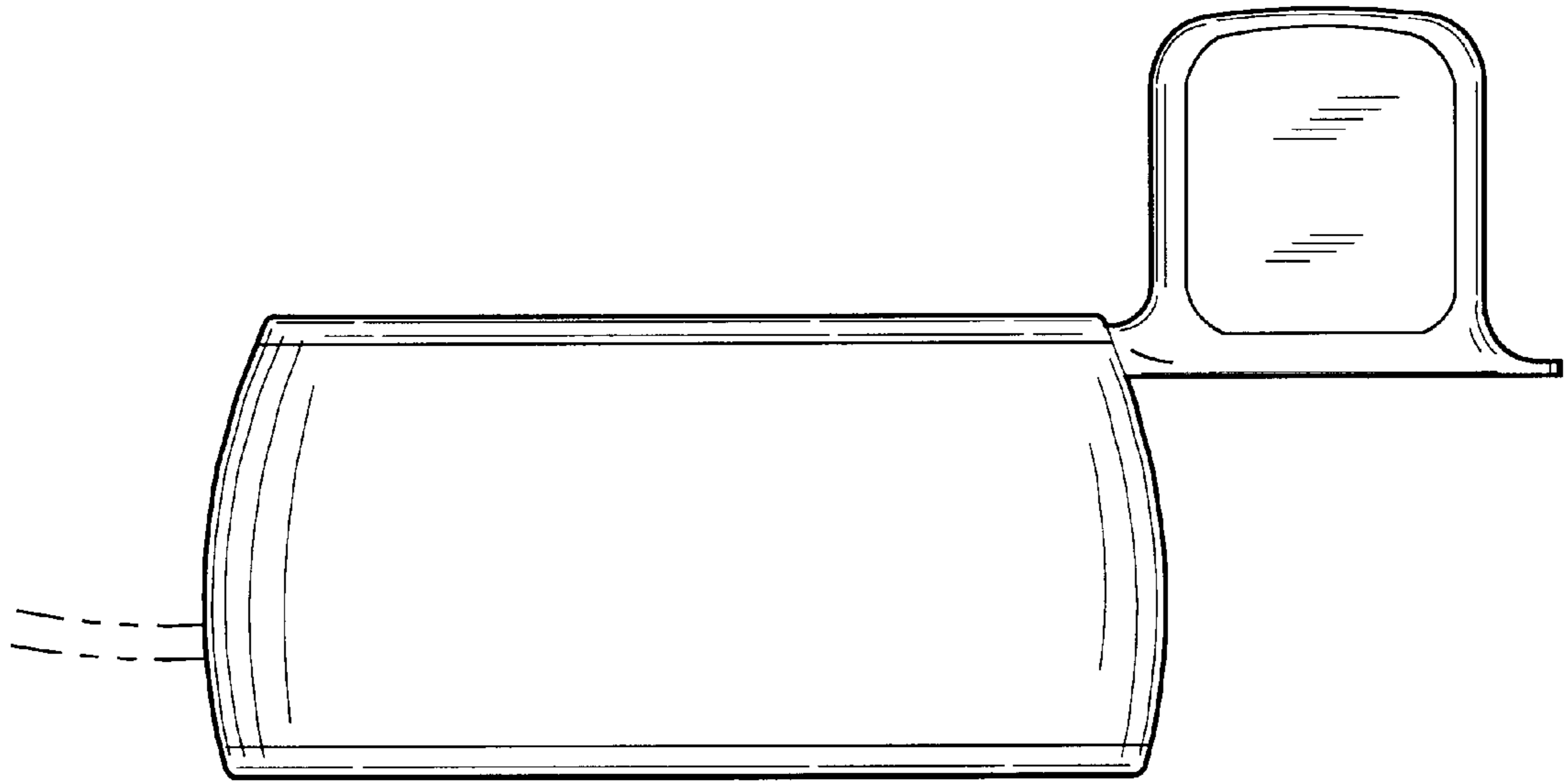


FIG. 7

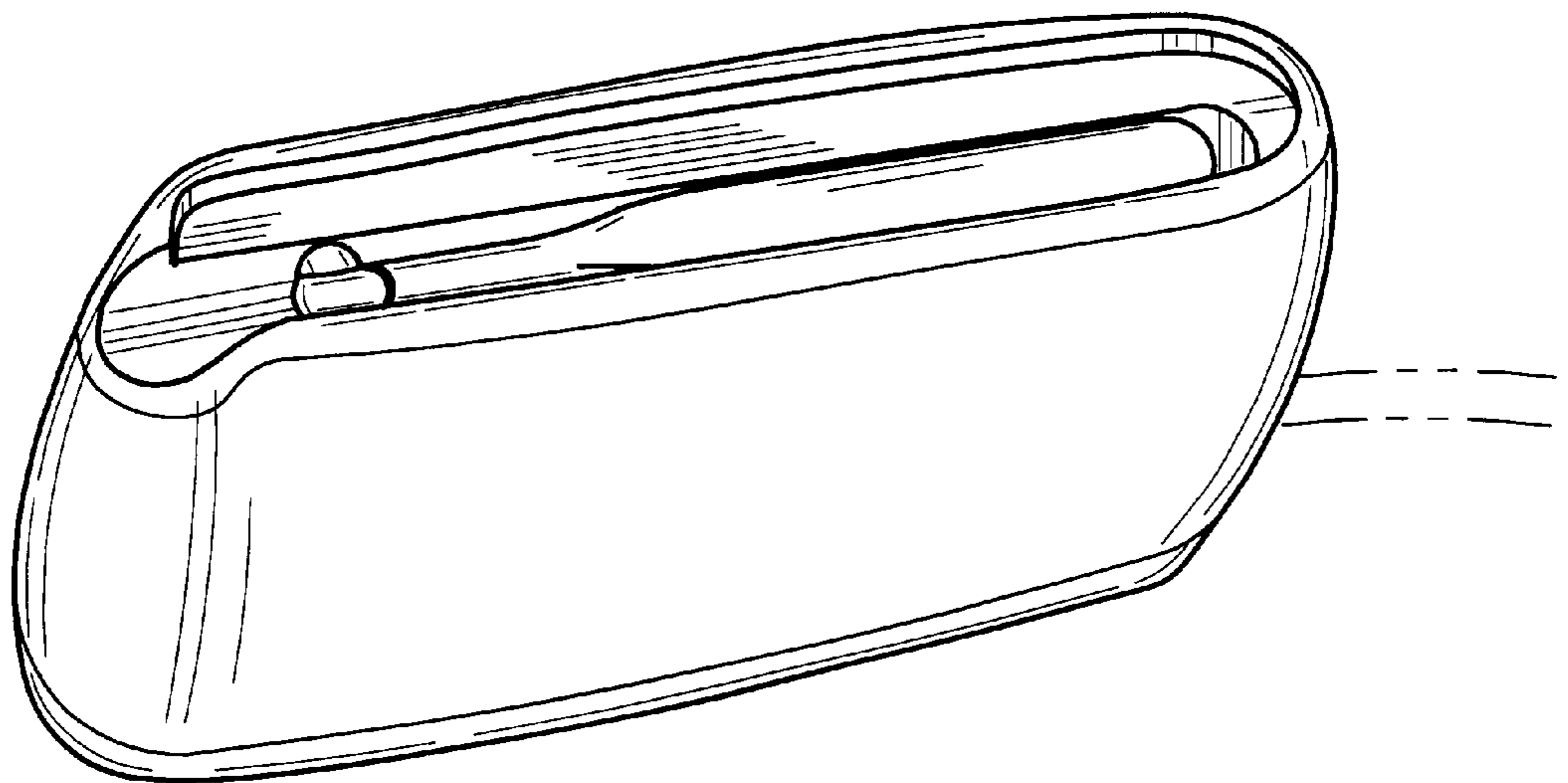


FIG. 8