



US00D486848S

(12) **United States Design Patent**  
**Yamamoto**

(10) **Patent No.:** **US D486,848 S**

(45) **Date of Patent:** **\*\* Feb. 17, 2004**

(54) **DIGITAL CAMERA**

(75) Inventor: **Kazuo Yamamoto**, Tokyo (JP)

(73) Assignee: **Olympus Corporation**, Tokyo (JP)

(\*\*) Term: **14 Years**

(21) Appl. No.: **29/171,433**

(22) Filed: **Nov. 22, 2002**

(30) **Foreign Application Priority Data**

Sep. 30, 2002 (JP) ..... 2002-026842

(51) **LOC (7) Cl.** ..... **16-05**

(52) **U.S. Cl.** ..... **D16/219**

(58) **Field of Search** ..... D16/200–204,  
D16/208, 209, 218, 219; 396/287, 290,  
292, 297, 299

(56) **References Cited**

**U.S. PATENT DOCUMENTS**

5,897,228 A	*	4/1999	Schrock	.....	396/297
D437,868 S	*	2/2001	Naito	.....	D16/212
D449,059 S	*	10/2001	Shimobayashi	.....	D16/202
D462,706 S	*	9/2002	Hamamura	.....	D16/202
D478,109 S	*	8/2003	Tanaka	.....	D16/219

\* cited by examiner

*Primary Examiner*—Adir Aronovich

(74) *Attorney, Agent, or Firm*—Hogan & Hartson LLP

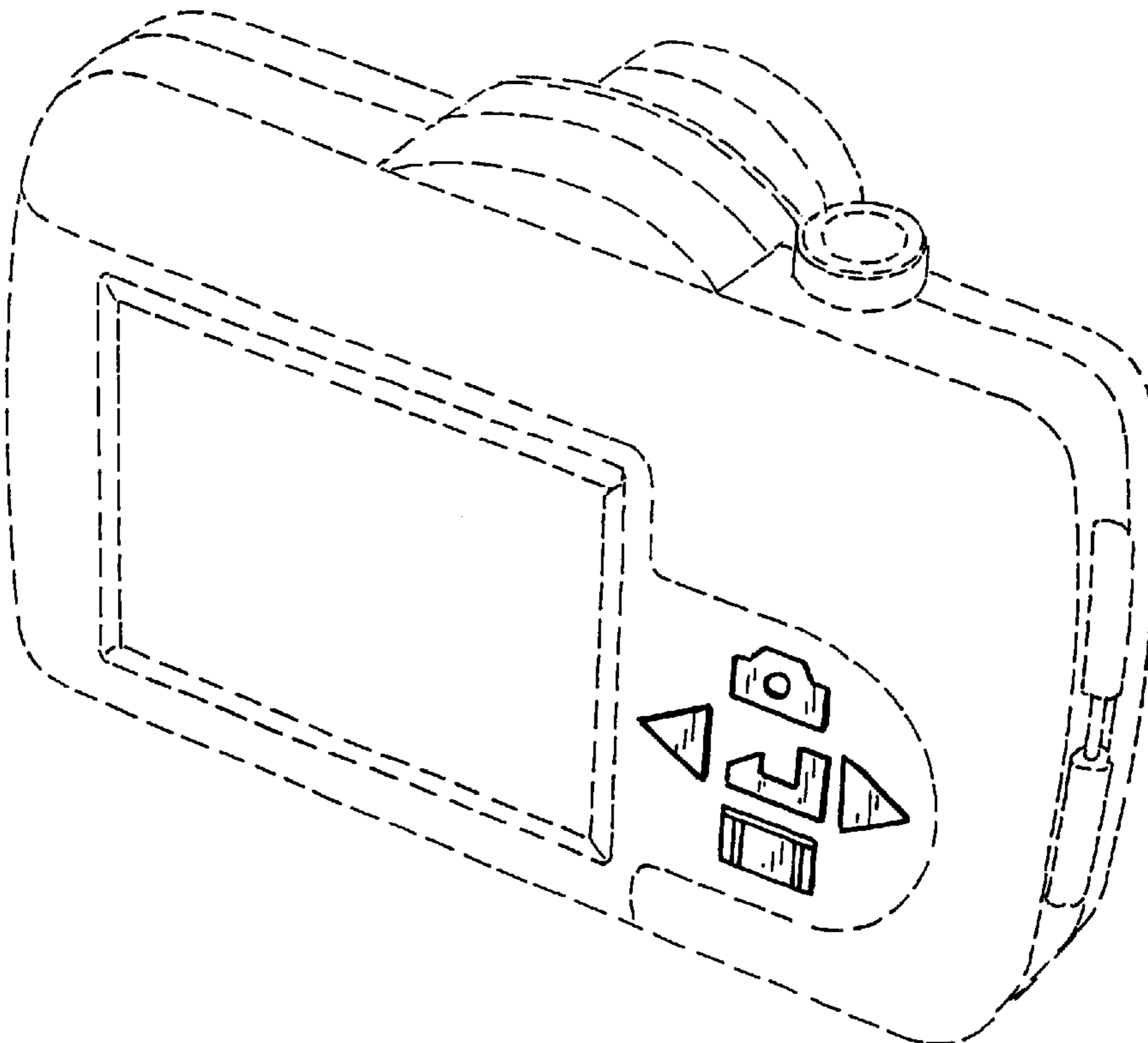
(57) **CLAIM**

The ornamental design for a digital camera, as shown and described.

**DESCRIPTION**

FIG. 1 is a front top and left side perspective view of a digital camera showing my new design;  
 FIG. 2 is a front top and left side perspective view thereof with a cap in an opened state;  
 FIG. 3 is a rear top and left side perspective view of FIG. 1;  
 FIG. 4 is a rear elevational view thereof;  
 FIG. 5 is a top plan view thereof;  
 FIG. 6 is a front elevational view thereof;  
 FIG. 7 is a bottom plan view thereof;  
 FIG. 8 is a left side elevational view thereof;  
 FIG. 9 is a right side elevational view thereof;  
 FIG. 10 is a front elevational view thereof with a cap lens in an opened state;  
 FIG. 11 is a right side elevational view thereof with a cap lens in an opened state; and,  
 FIG. 12 is a cross sectional view taken along line 12—12 of FIG. 4.

**1 Claim, 5 Drawing Sheets**



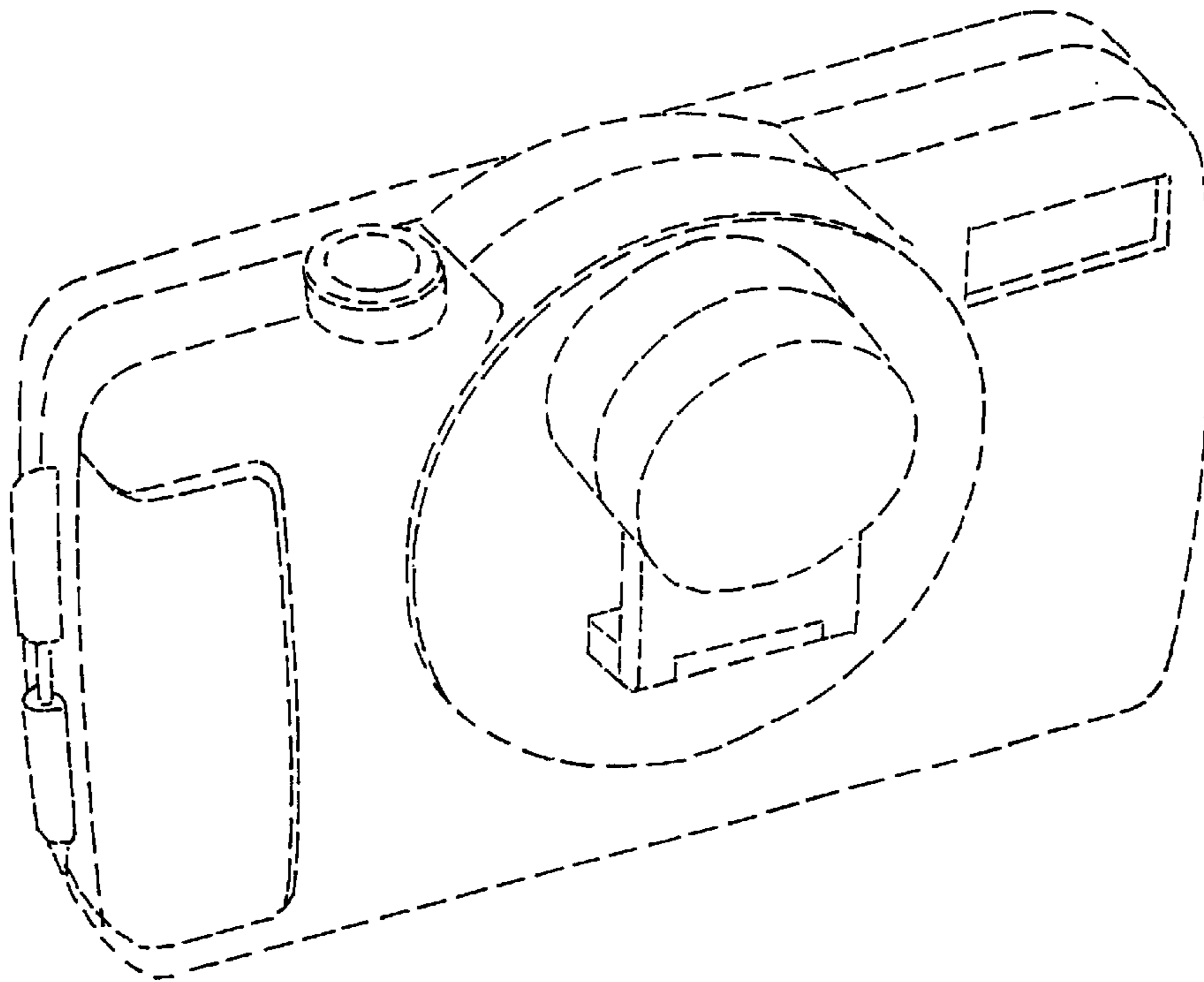


FIG. 1

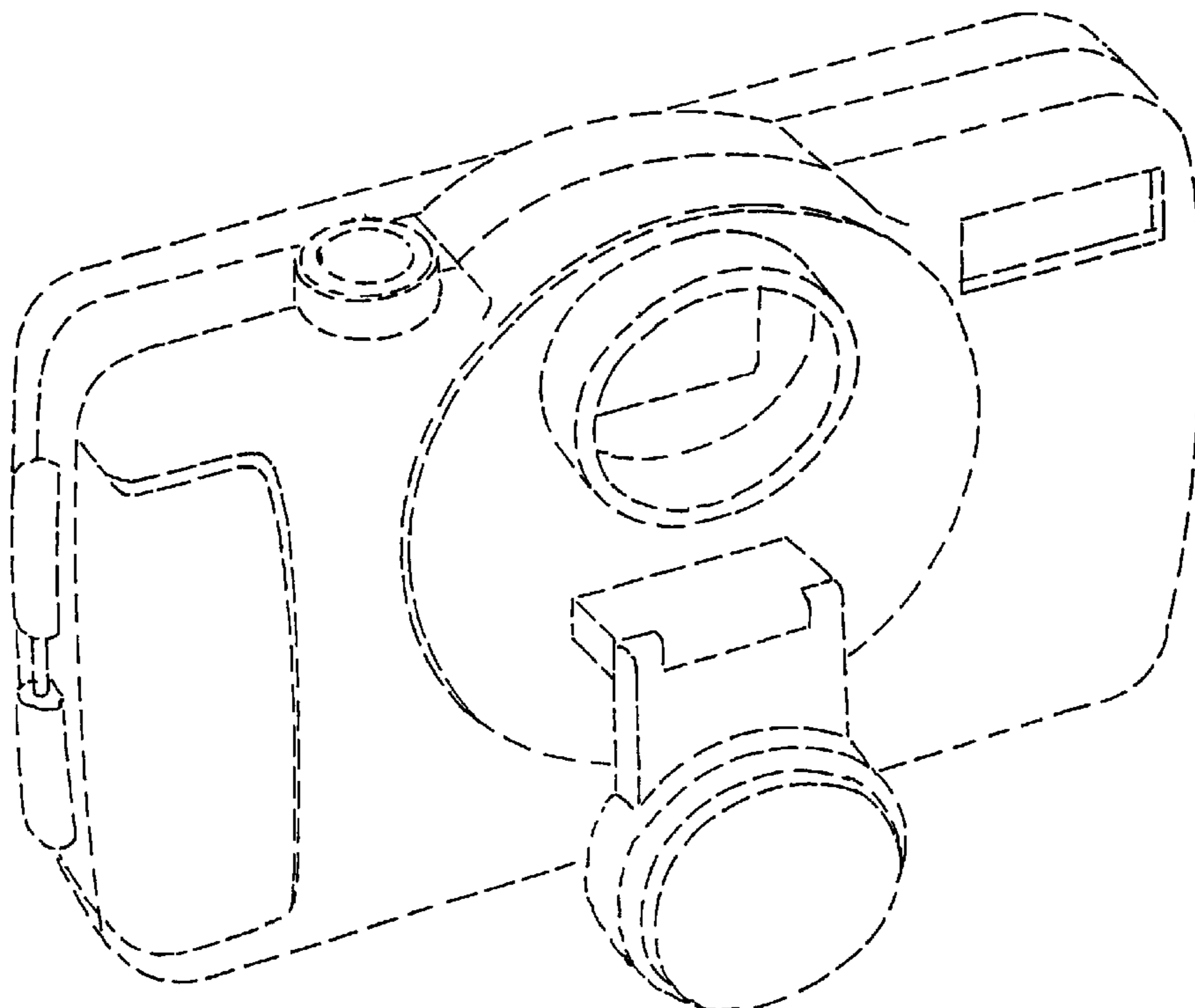


FIG. 2

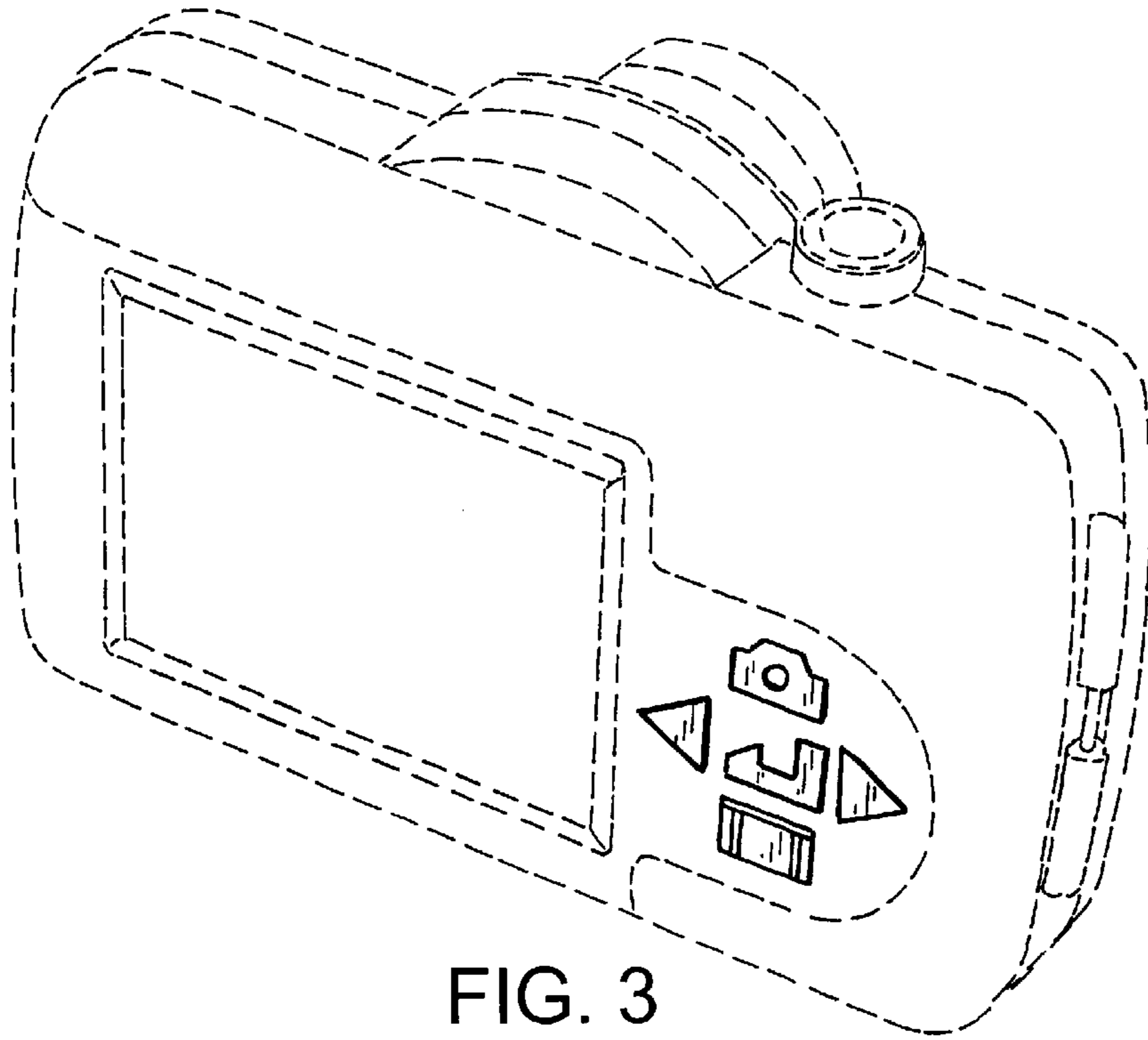


FIG. 3

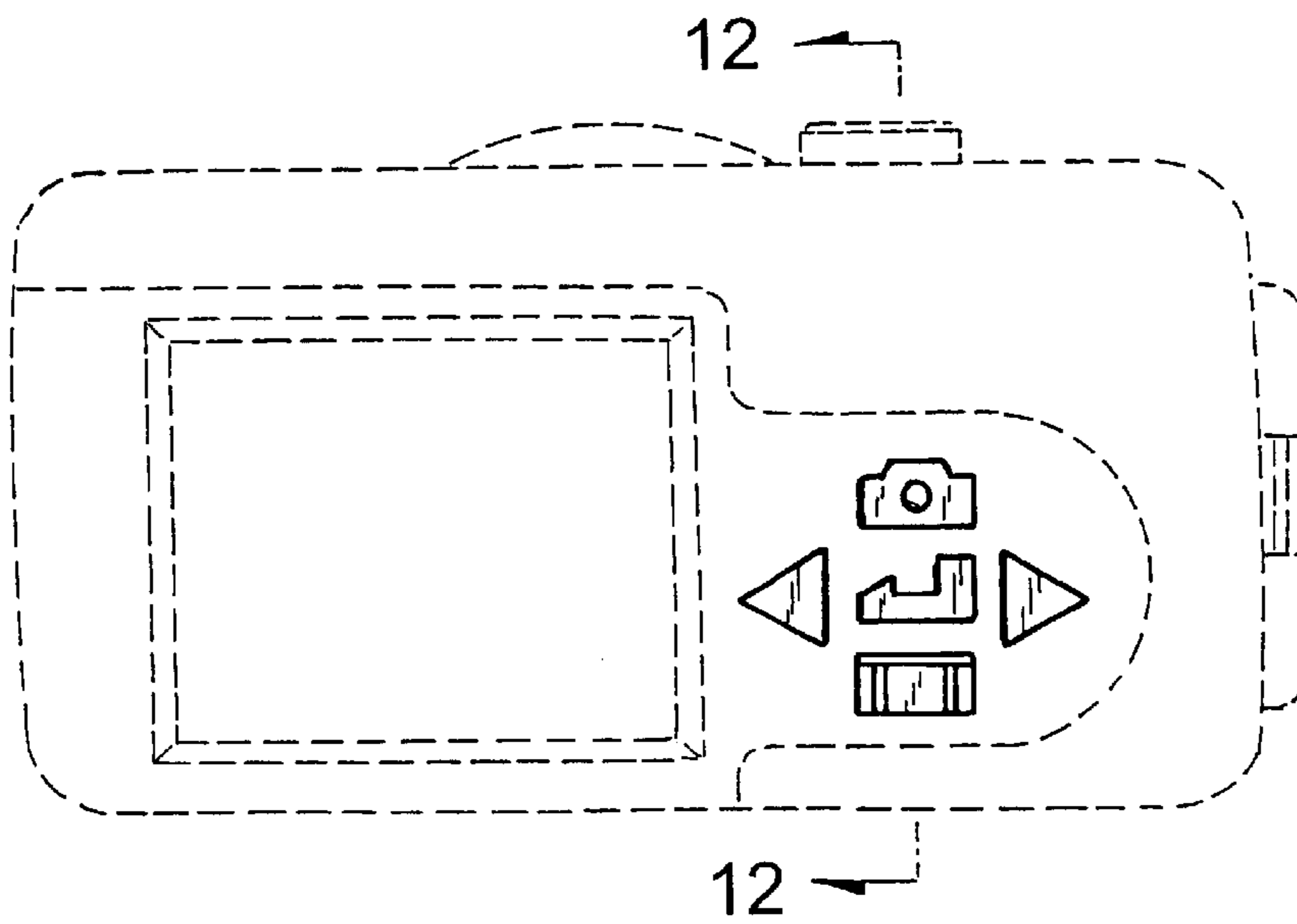


FIG. 4

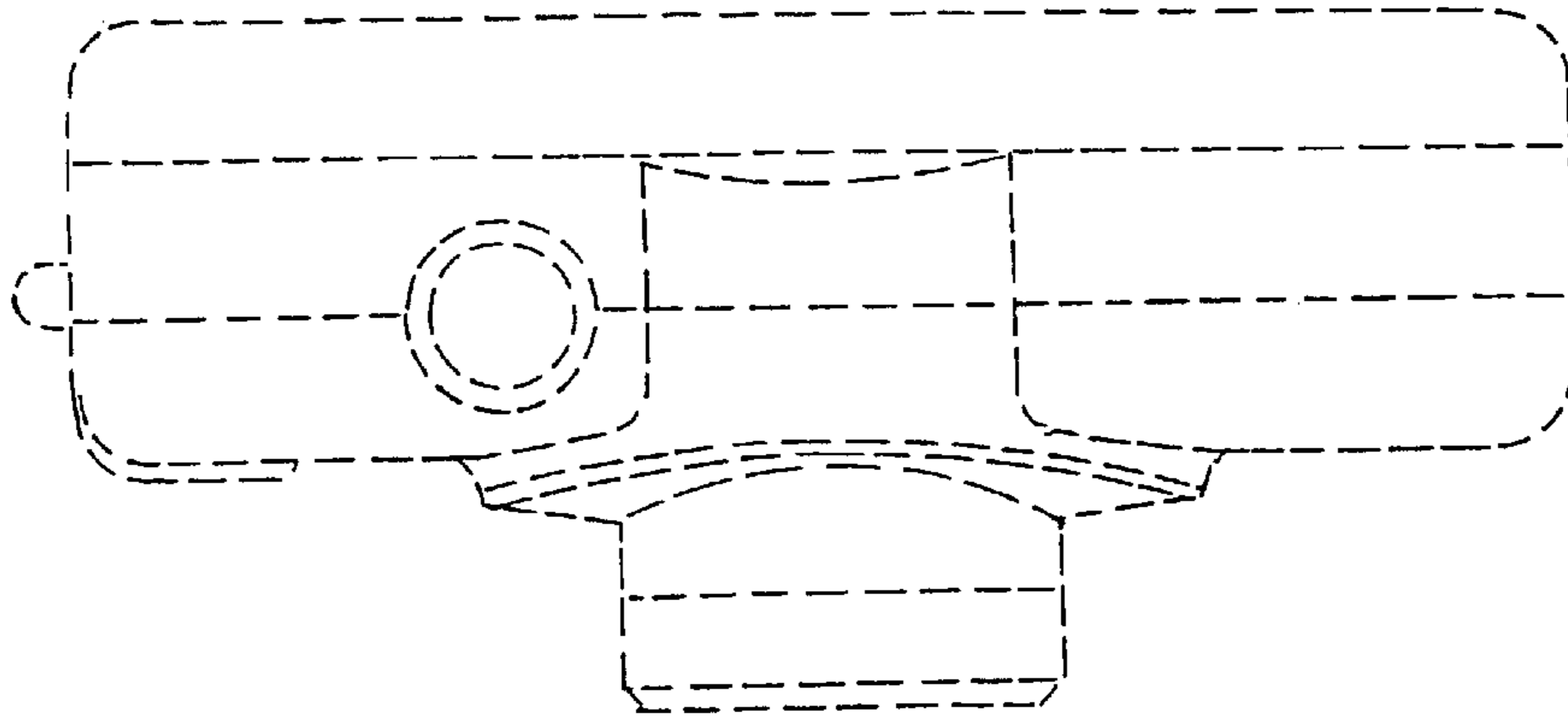


FIG. 5

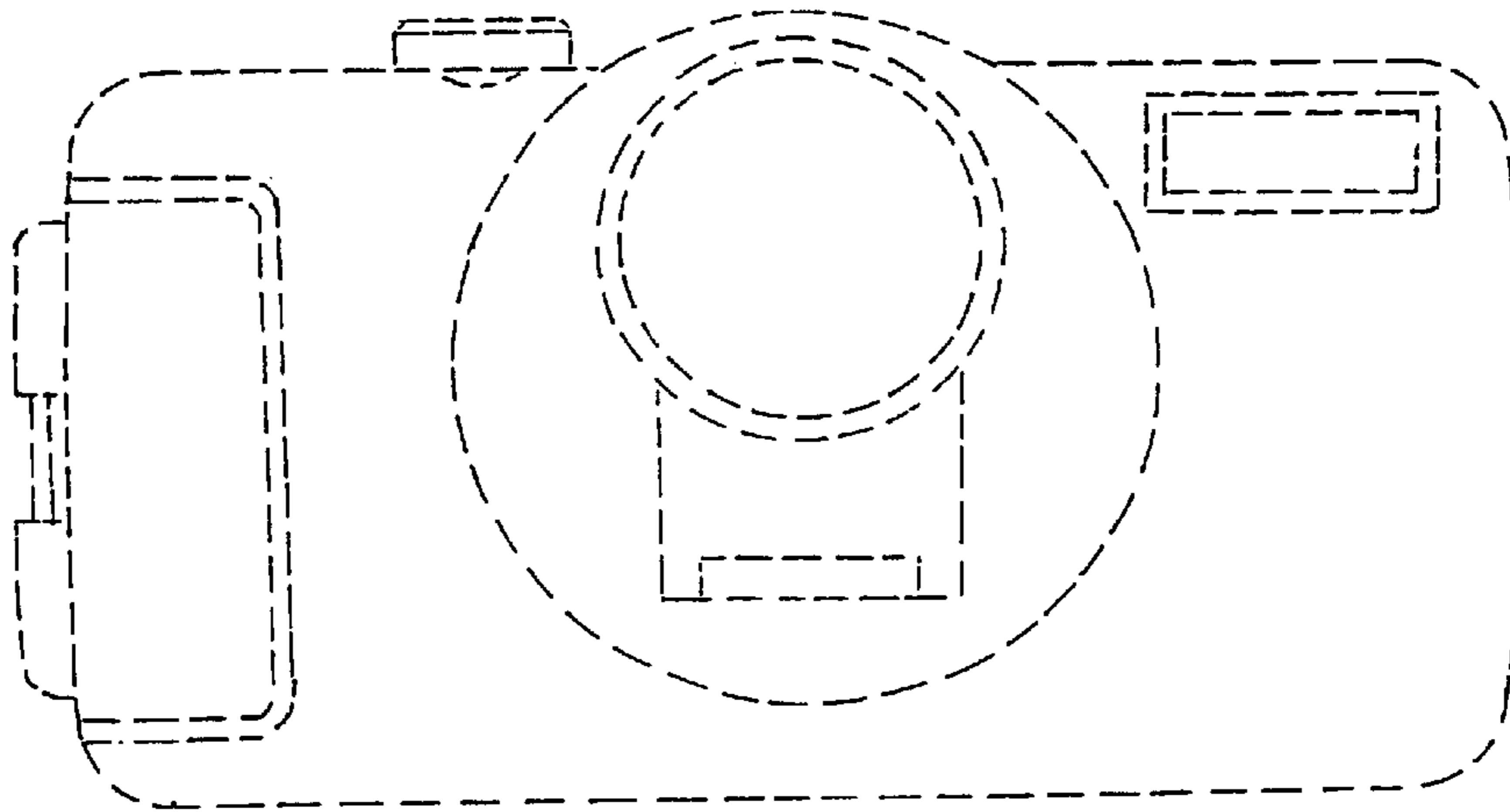


FIG. 6

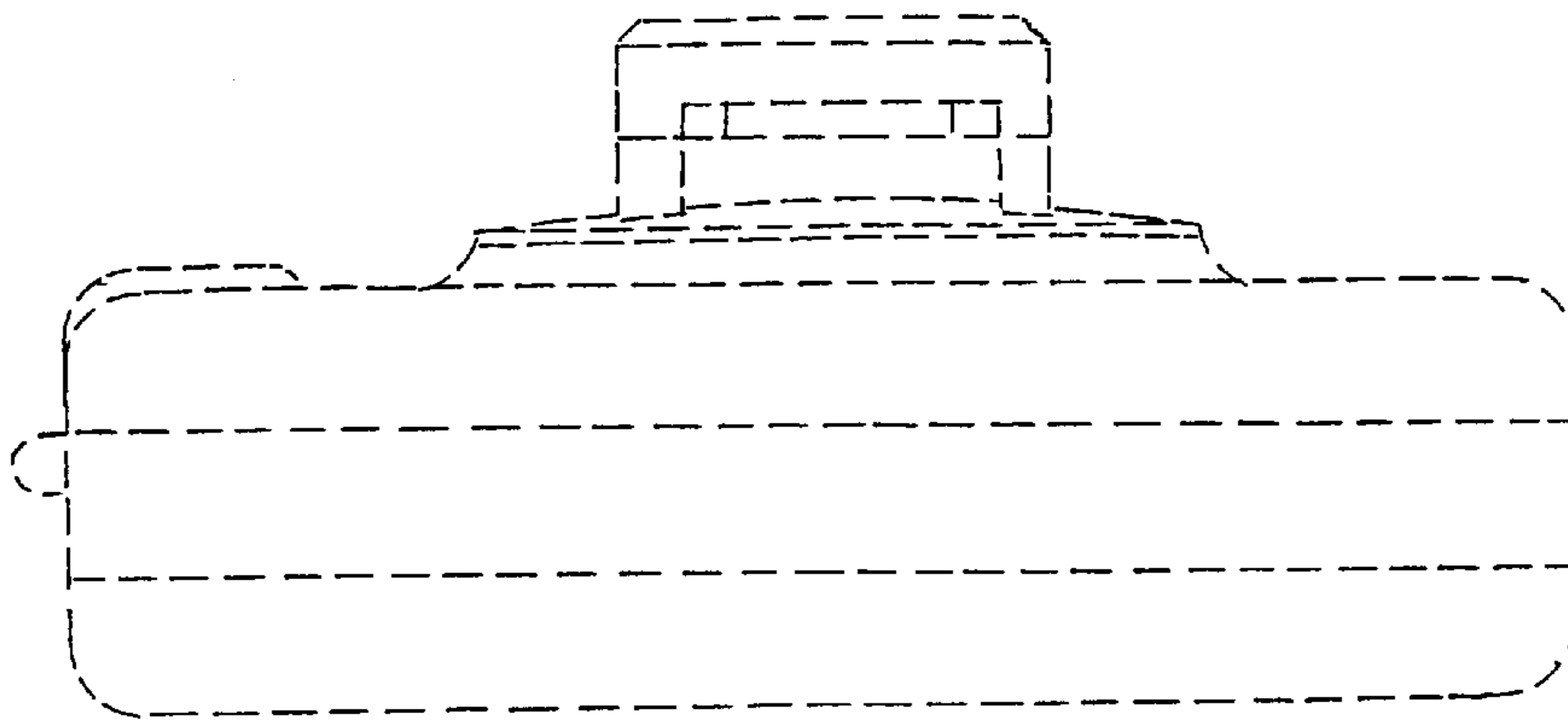


FIG. 7

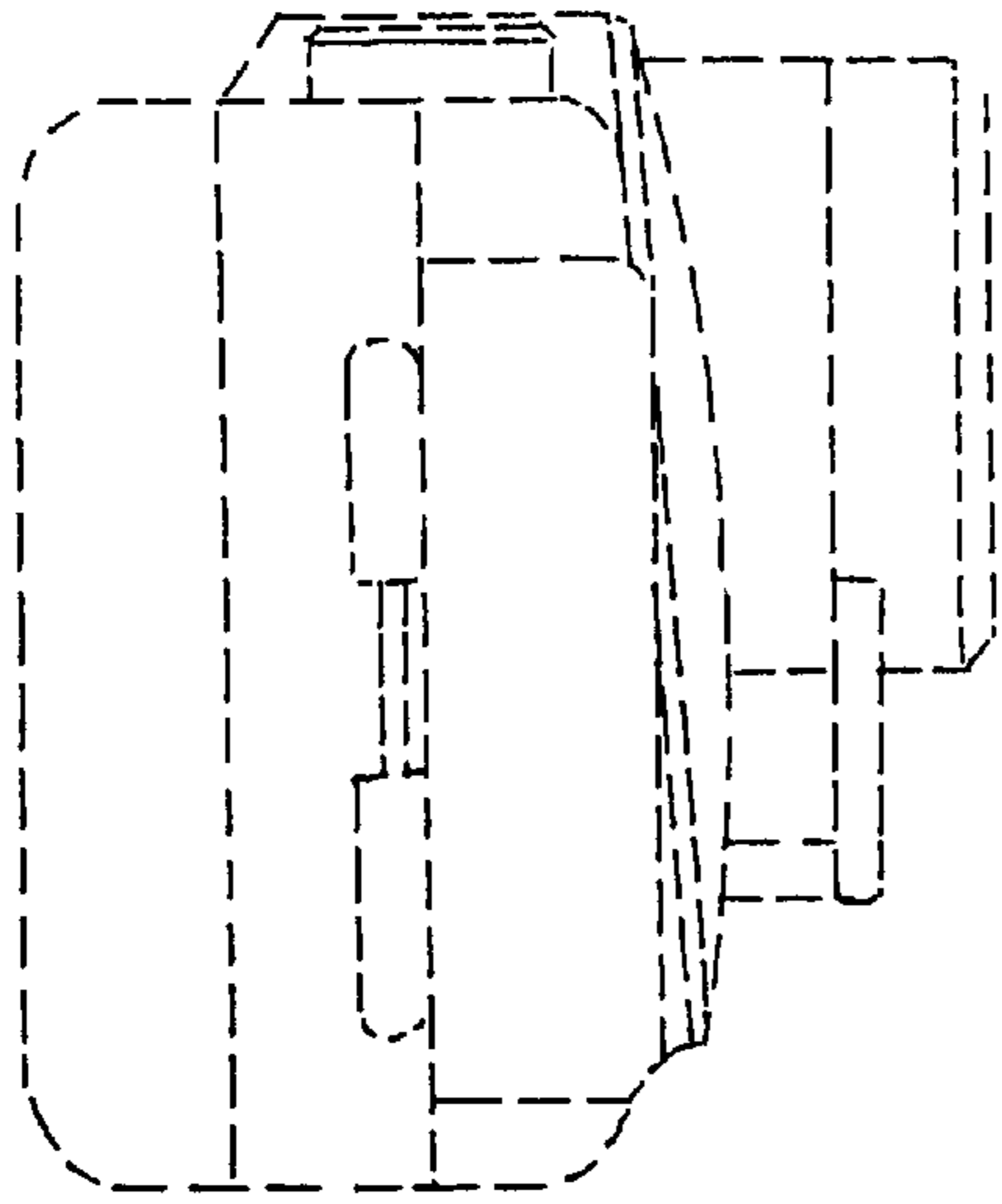


FIG. 8

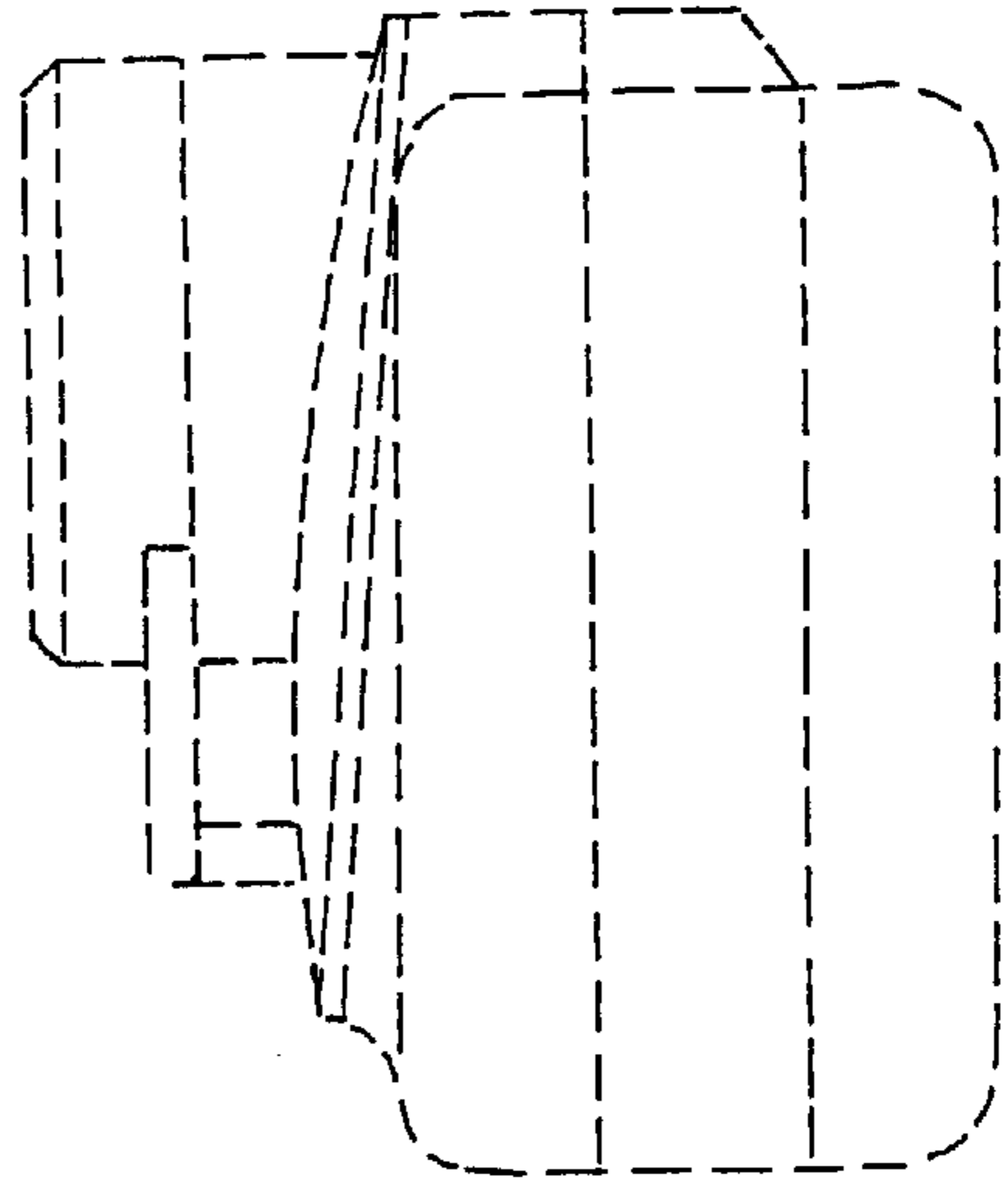


FIG. 9

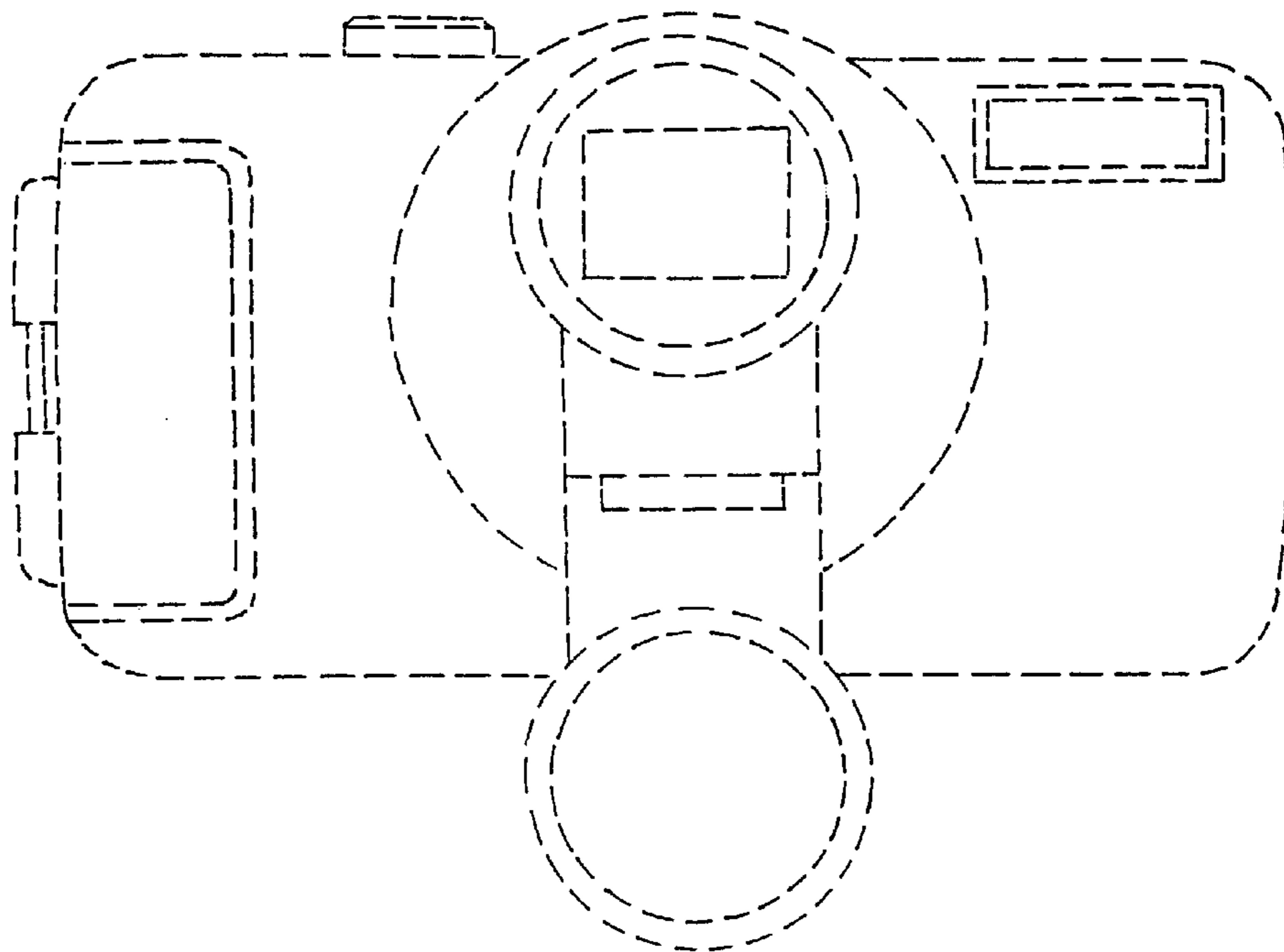


FIG. 10

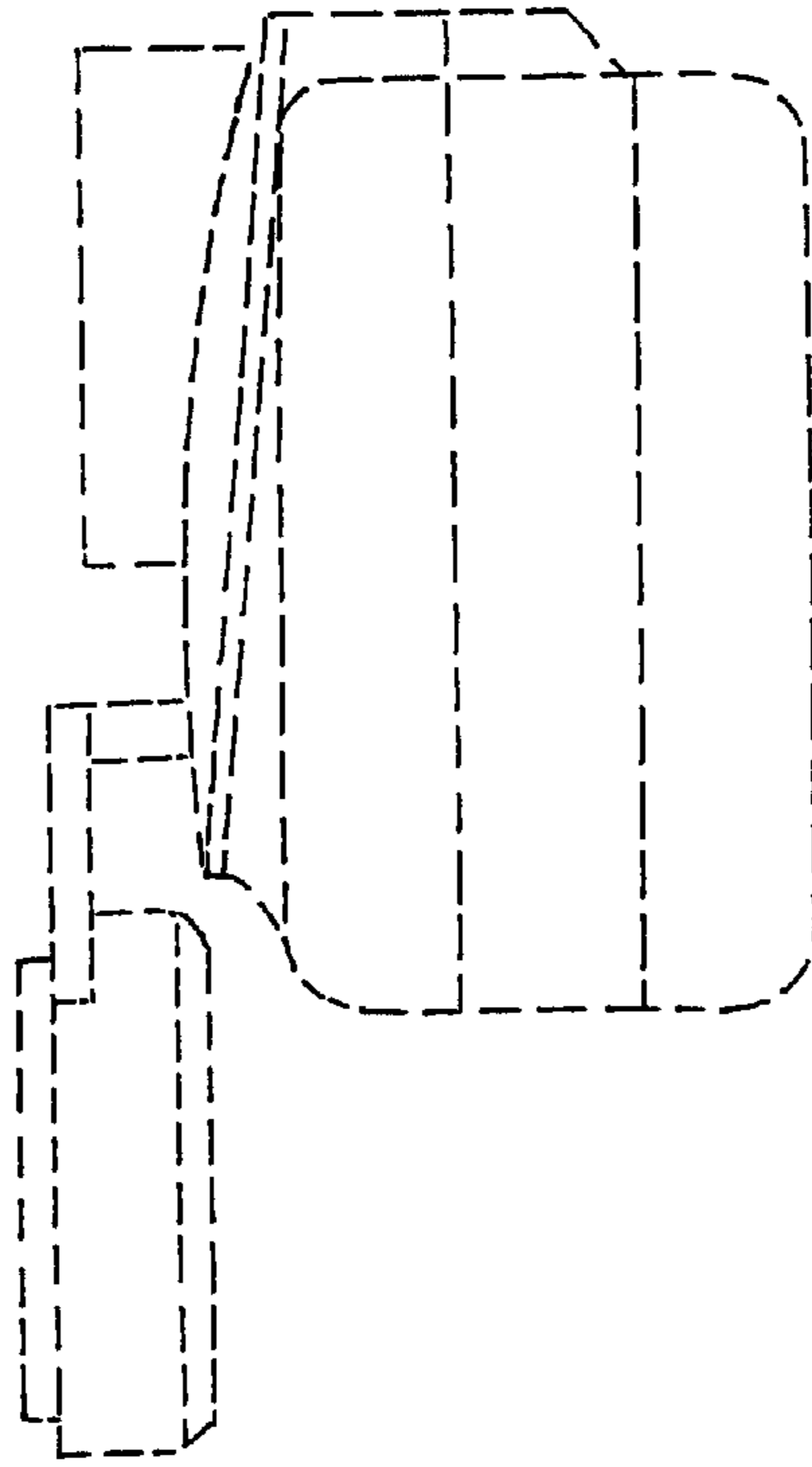


FIG. 11

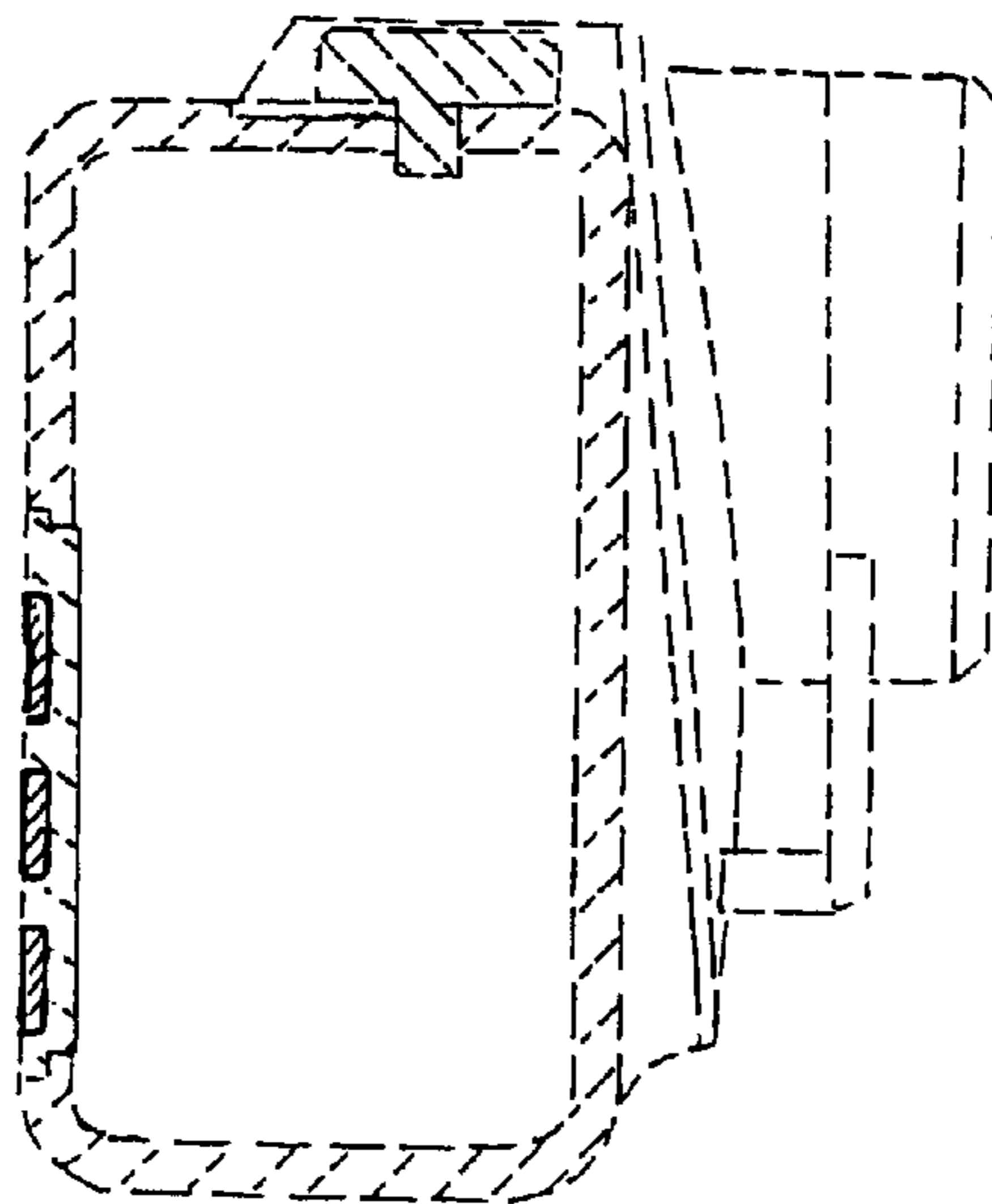


FIG. 12